



US00D680292S

(12) **United States Design Patent**
Liao

(10) **Patent No.:** **US D680,292 S**

(45) **Date of Patent:** **** Apr. 16, 2013**

(54) **TRASH CAN**
(75) Inventor: **Henry Liao**, Guangdong Province (CN)
(73) Assignee: **Jiangmen Foreign Trade Group Co., Ltd.**, Guangdong Province (CN)

5,560,512 A * 10/1996 Hahn 220/810
6,328,320 B1 * 12/2001 Walski et al. 280/47.26
D564,723 S * 3/2008 Yang et al. D34/9
D567,468 S * 4/2008 Yang et al. D34/9
D593,271 S * 5/2009 Yang et al. D34/9
D622,451 S * 8/2010 Yang et al. D30/121
D643,988 S * 8/2011 Arthurson D34/9

(**) Term: **14 Years**

* cited by examiner

(21) Appl. No.: **29/425,524**

Primary Examiner — Cynthia Ramirez

(22) Filed: **Jun. 25, 2012**

(51) **LOC (9) Cl.** **09-09**

(57) **CLAIM**
The ornamental design for a trash can, as shown.

(52) **U.S. Cl.**
USPC **D34/9; D34/5**

(58) **Field of Classification Search** D34/1,
D34/5, 6, 7, 8, 9, 10, 11; 220/908, 908.1,
220/911, 913, 262, 263, 264
See application file for complete search history.

DESCRIPTION

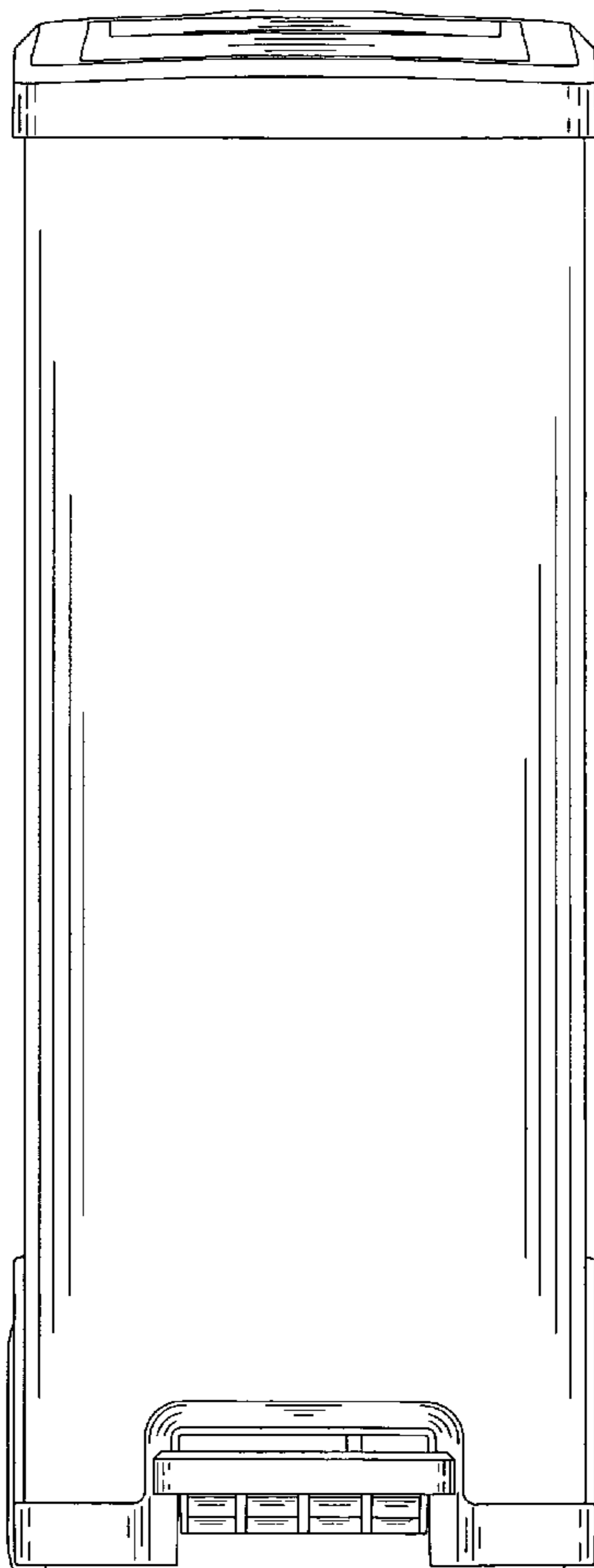
FIG. 1 is a front elevational view of a trash can showing my new design;
FIG. 2 is a rear elevational view thereof;
FIG. 3 is a left side view thereof;
FIG. 4 is a right side view thereof;
FIG. 5 is a top plan view thereof; and,
FIG. 6 is a perspective plan view thereof.

(56) **References Cited**

U.S. PATENT DOCUMENTS

5,261,562 A * 11/1993 Prout et al. 220/771
5,511,682 A * 4/1996 Pace 280/47.26
5,511,807 A * 4/1996 Snyder 280/47.26

1 Claim, 6 Drawing Sheets



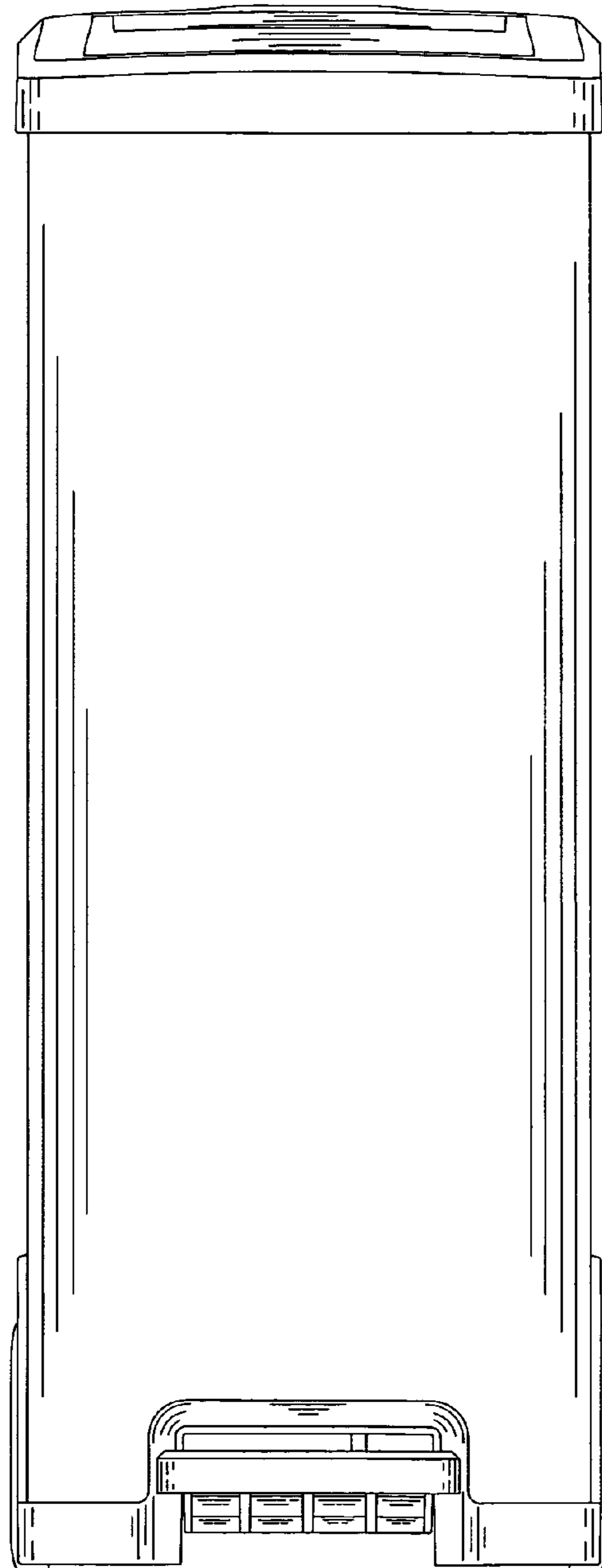


FIG. 1

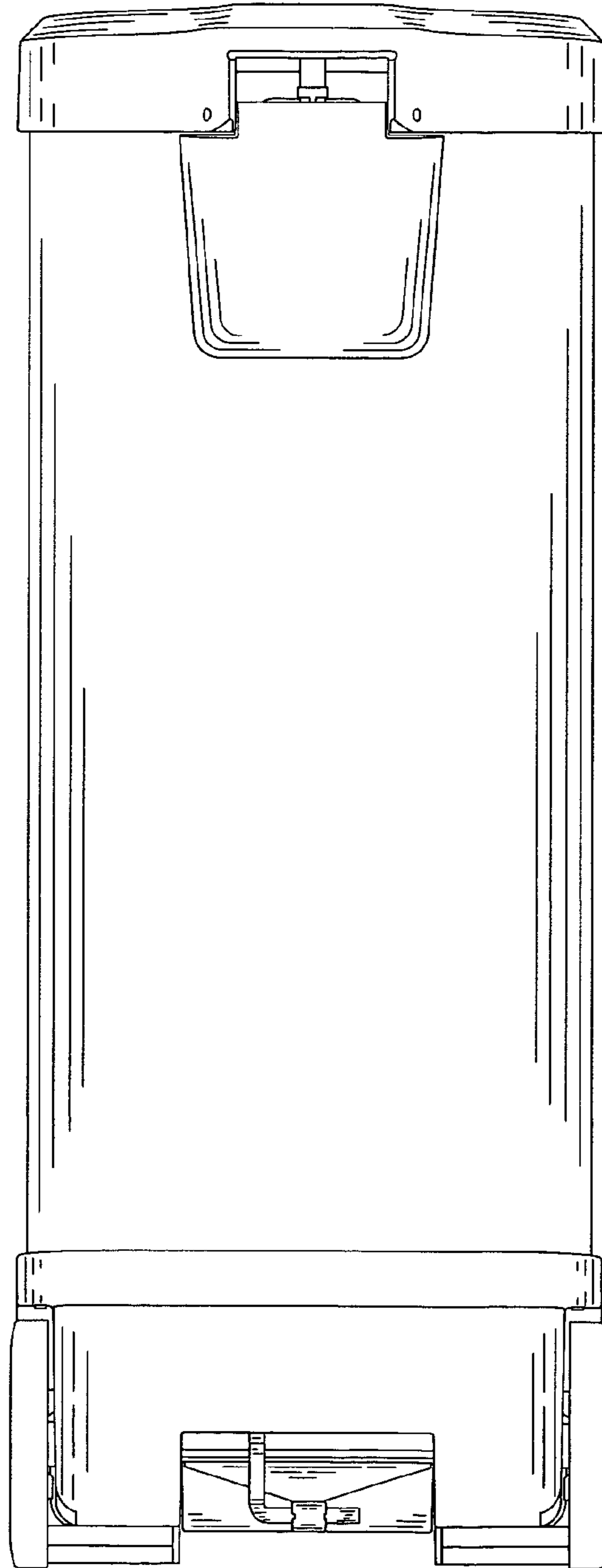


FIG. 2

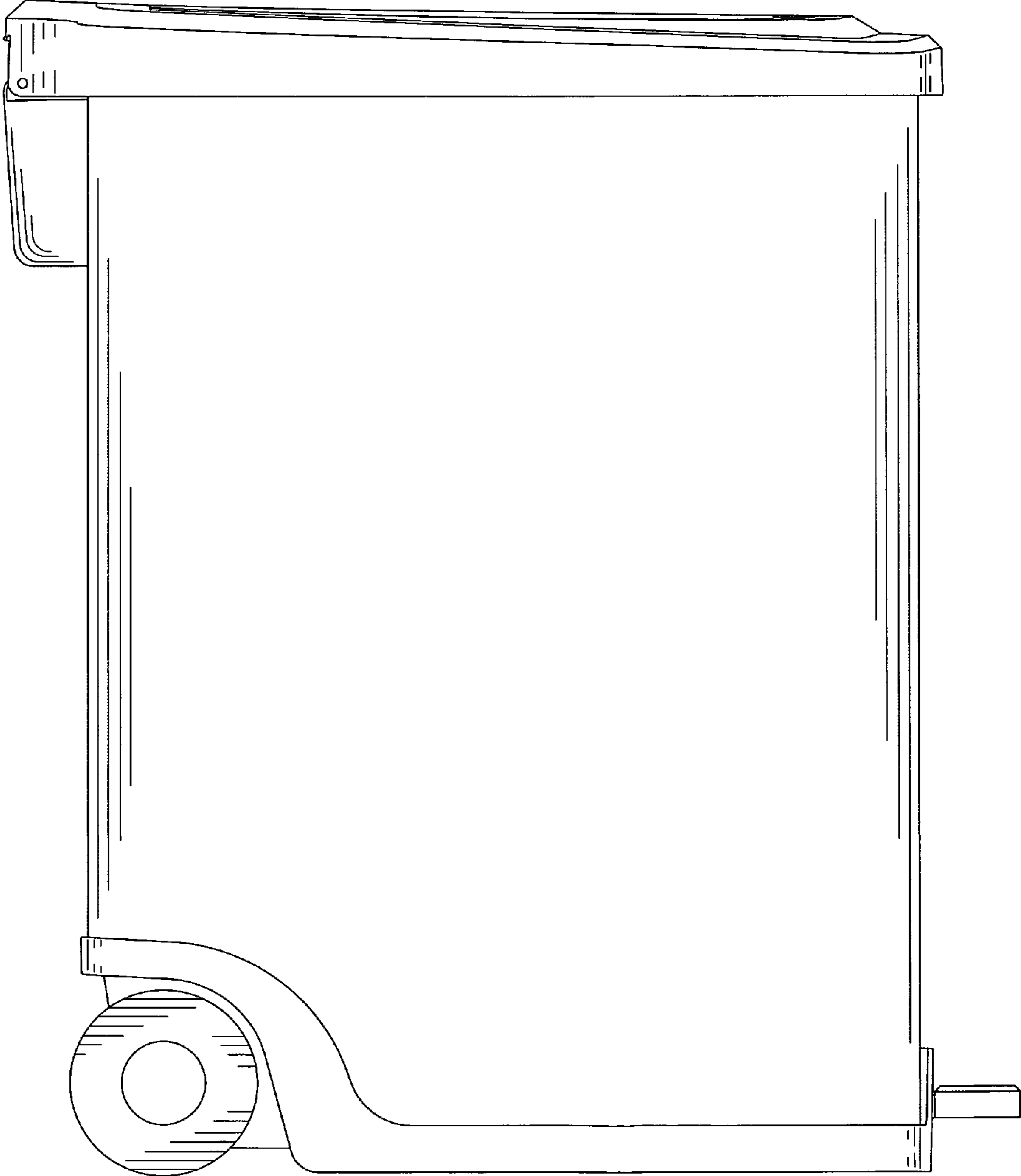


FIG. 3

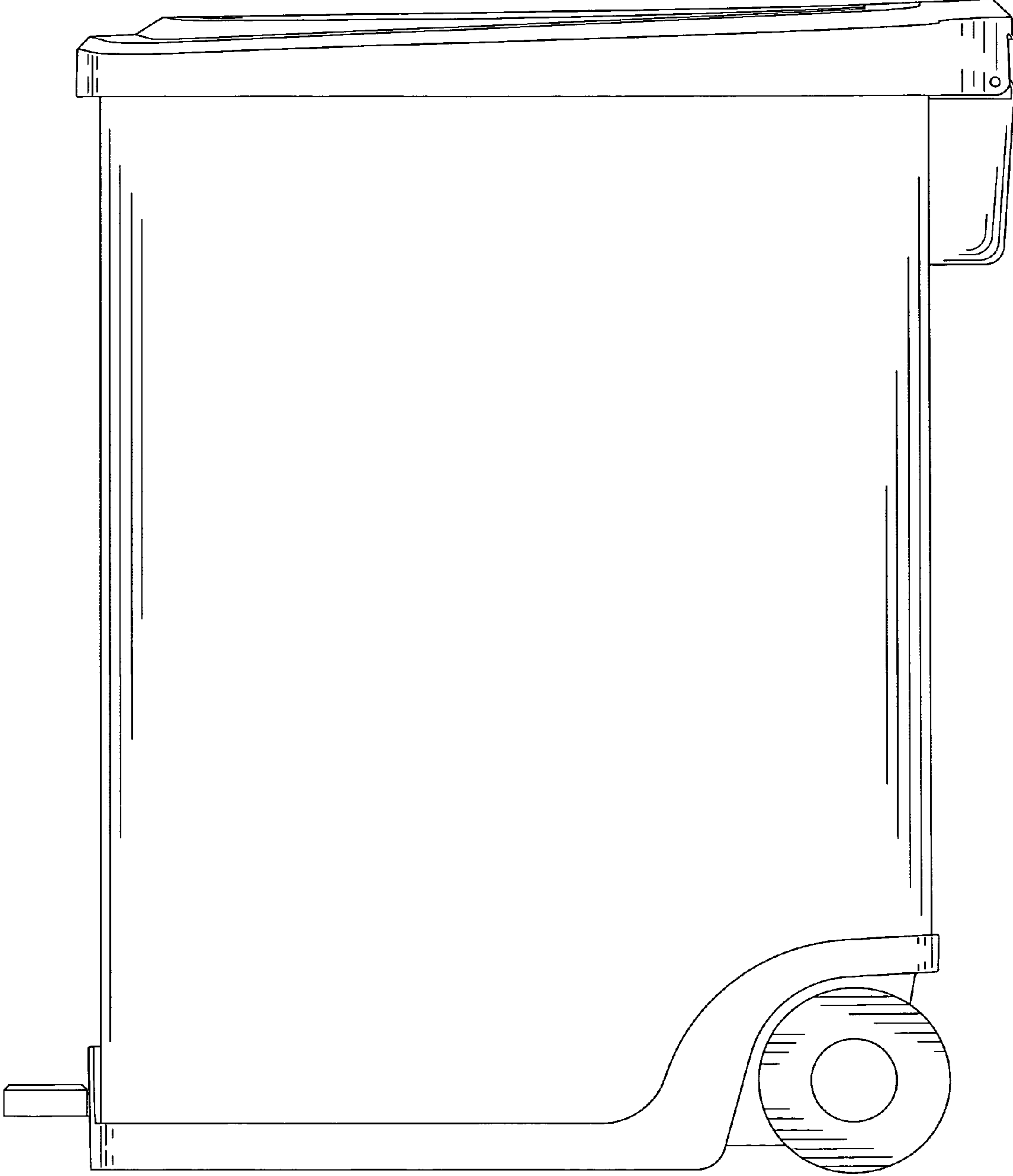


FIG. 4

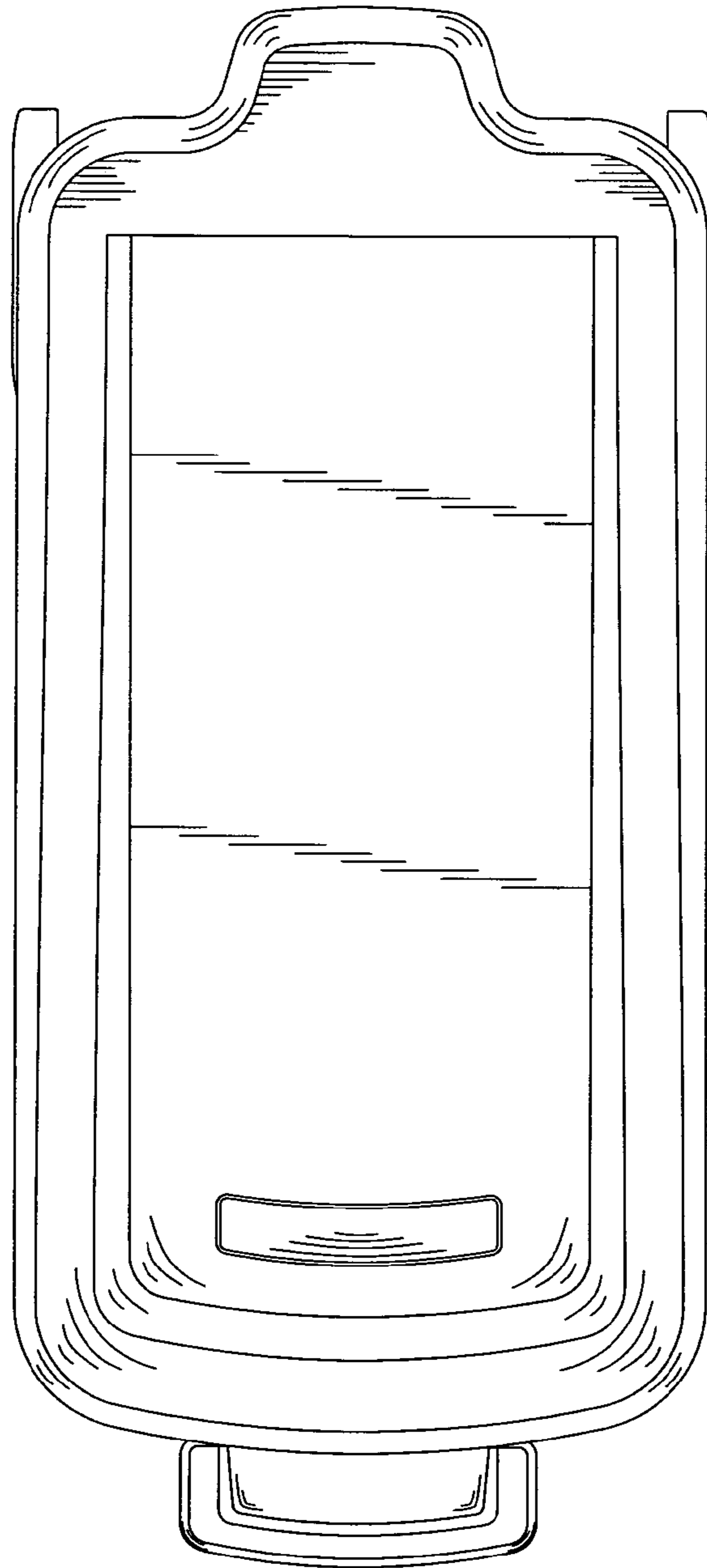


FIG. 5

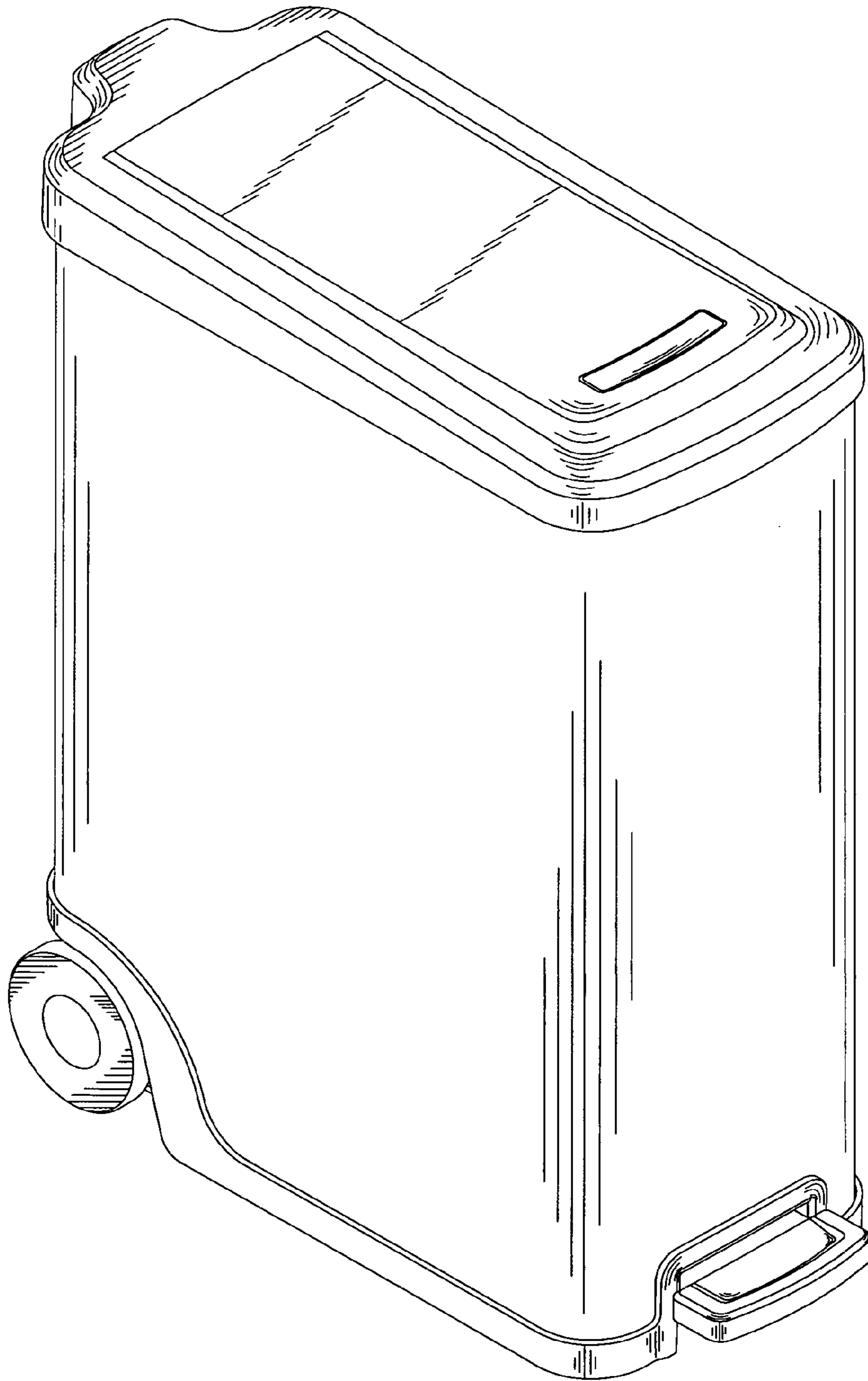


FIG. 6