



US00D680291S

(12) **United States Design Patent**  
**Shepherd**

(10) **Patent No.:** **US D680,291 S**

(45) **Date of Patent:** **\*\* Apr. 16, 2013**

(54) **IRON HOLDER**

(76) **Inventor:** **Henry K. Shepherd**, Birmingham, AL  
(US)

(\*\*) **Term:** **14 Years**

(21) **Appl. No.:** **29/419,058**

(22) **Filed:** **Apr. 24, 2012**

(51) **LOC (9) Cl.** ..... **07-05**

(52) **U.S. Cl.**  
USPC ..... **D32/73; D6/566; 248/117.1; 248/302**

(58) **Field of Classification Search** ..... **D32/73;**  
**D6/512, 552, 566, 567, 568, 569, 570, 571,**  
**D6/572, 573, 574; D15/140; D8/71; 38/79,**  
**38/96, 103, 104, 105, 106, 107; 248/117.1,**  
**248/117.2, 117.4, 117.5, 117.6, 117.7, 249,**  
**248/302; 219/259, 242**

See application file for complete search history.

(56) **References Cited**

**U.S. PATENT DOCUMENTS**

2,584,011	A *	1/1952	Greenberg et al.	.....	248/117.3
2,603,438	A *	7/1952	Adams	.....	248/117.1
3,027,129	A *	3/1962	Sorlie	.....	248/117.7
D220,826	S *	5/1971	Vaughn	.....	D32/73
D253,089	S *	10/1979	Reiner	.....	D8/71
D275,043	S *	8/1984	Mulay	.....	D32/73
D280,455	S *	9/1985	Negrich	.....	D32/73
D368,614	S *	4/1996	Munoz	.....	D6/566
D369,006	S *	4/1996	Pool	.....	D32/73
D393,119	S *	3/1998	Pool	.....	D32/73
D393,387	S *	4/1998	Gregor et al.	.....	D6/513
D499,286	S *	12/2004	Harwanko	.....	D6/514

D545,602	S *	7/2007	Hurt	.....	D6/566
D547,098	S *	7/2007	Goodman et al.	.....	D6/514
D553,890	S *	10/2007	Goodman et al.	.....	D6/566
D564,167	S *	3/2008	Rosen	.....	D32/73
D565,882	S *	4/2008	Goodman et al.	.....	D6/566
D570,633	S *	6/2008	Goodman et al.	.....	D6/566
D575,090	S *	8/2008	Van Beuningen	.....	D6/566
7,665,236	B2 *	2/2010	Jones et al.	.....	38/96
7,959,020	B2 *	6/2011	Rosen	.....	211/119.001
8,109,018	B2 *	2/2012	Maurer	.....	38/142
8,132,346	B1 *	3/2012	Cooper et al.	.....	38/107
8,186,521	B2 *	5/2012	Yu	.....	211/106

\* cited by examiner

*Primary Examiner* — Philip S Hyder

*Assistant Examiner* — John T Applewhite

(74) *Attorney, Agent, or Firm* — QuickPatents; Kevin Prince

(57) **CLAIM**

I claim the ornamental design for an iron holder, as shown and described.

**DESCRIPTION**

FIG. 1 is a perspective view of an iron holder, showing my new design;

FIG. 2 is a front elevational view thereof, the rear elevational view being a mirror image thereof;

FIG. 3 is a top plan view thereof;

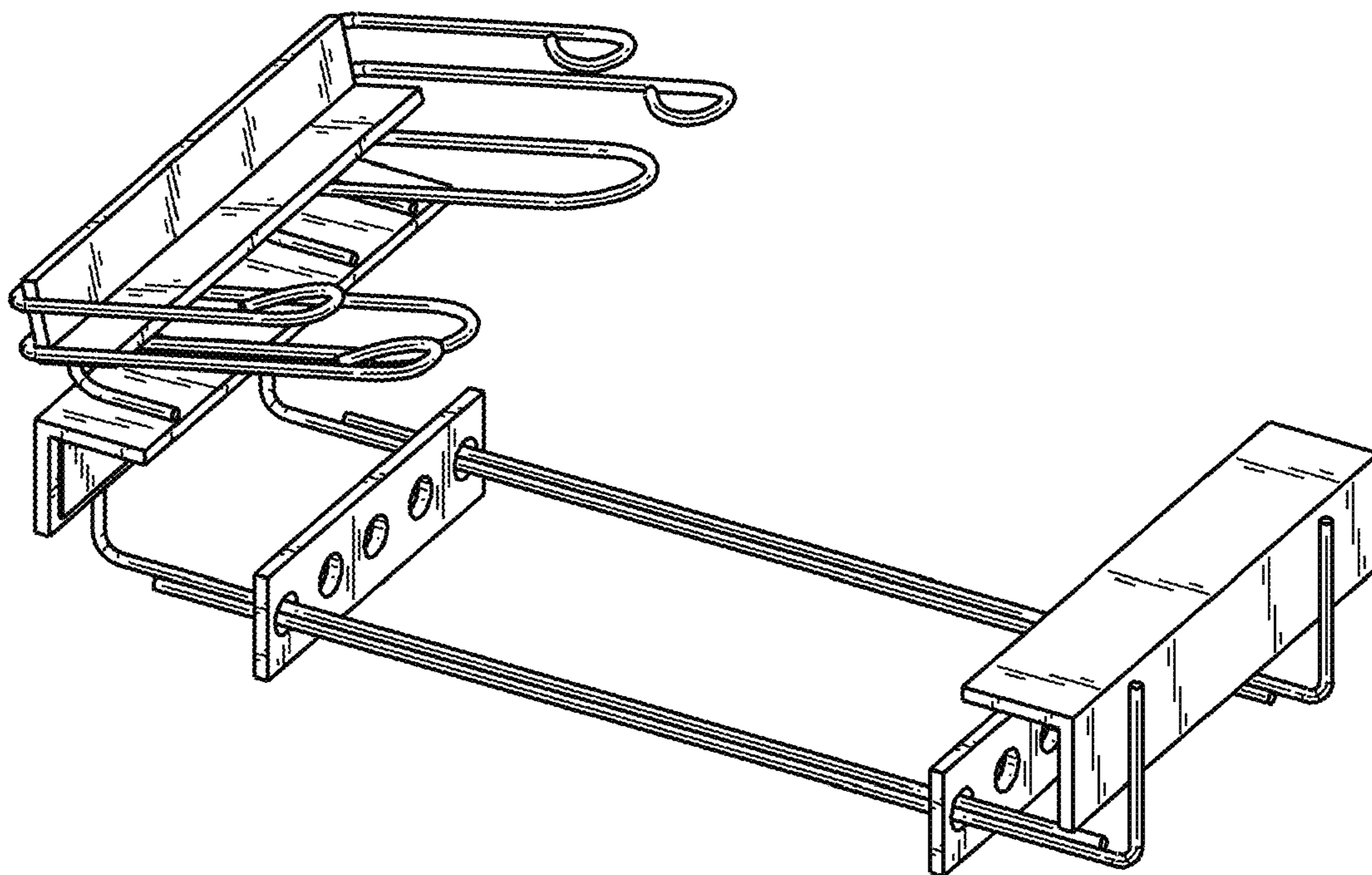
FIG. 4 is a bottom plan view thereof;

FIG. 5 is a right-side elevational view thereof; and,

FIG. 6 is a left-side elevational view thereof.

The broken lines showing an iron and ironing board in FIG. 2 depict environmental matter and form no part of the claimed design.

**1 Claim, 3 Drawing Sheets**



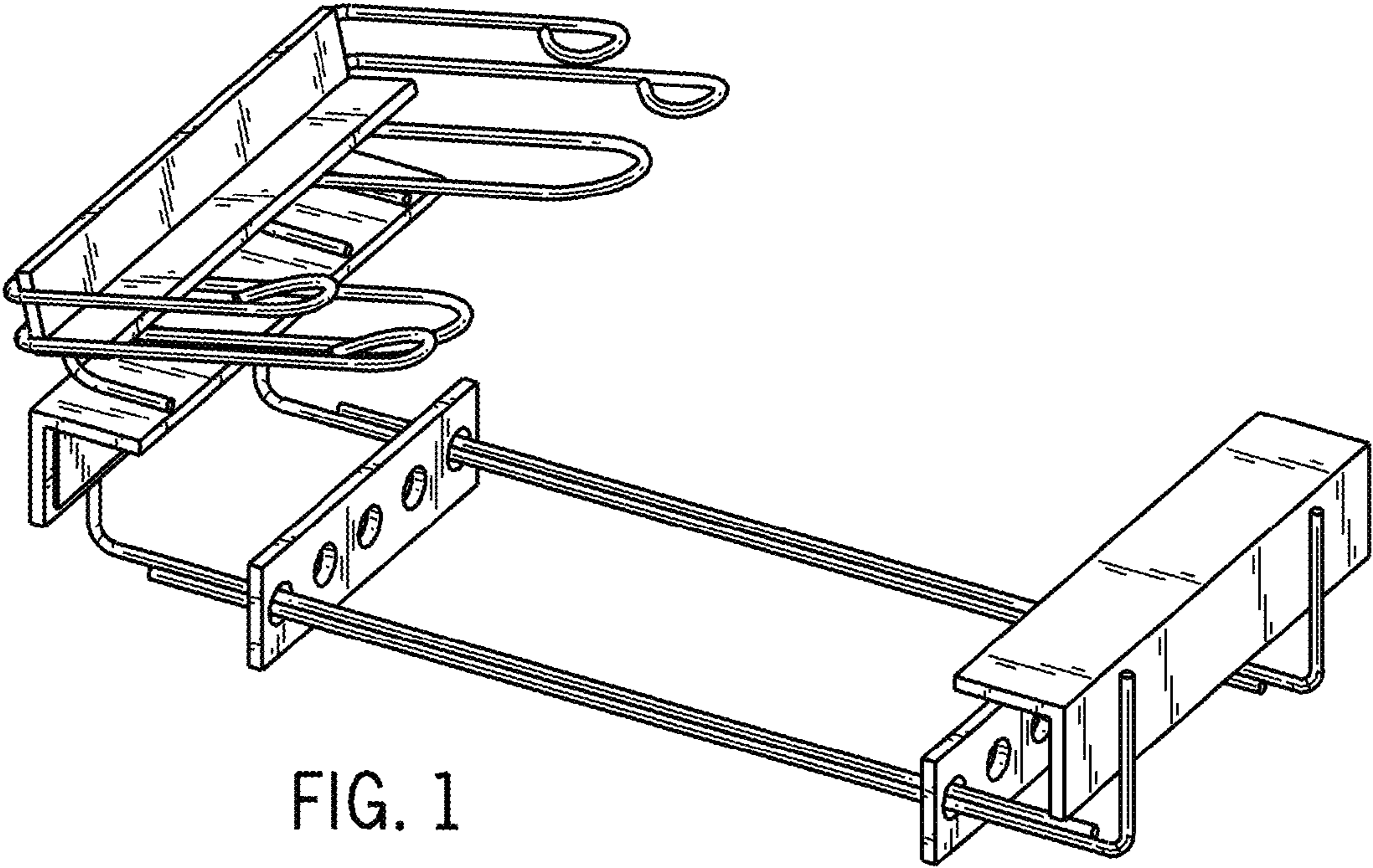


FIG. 1

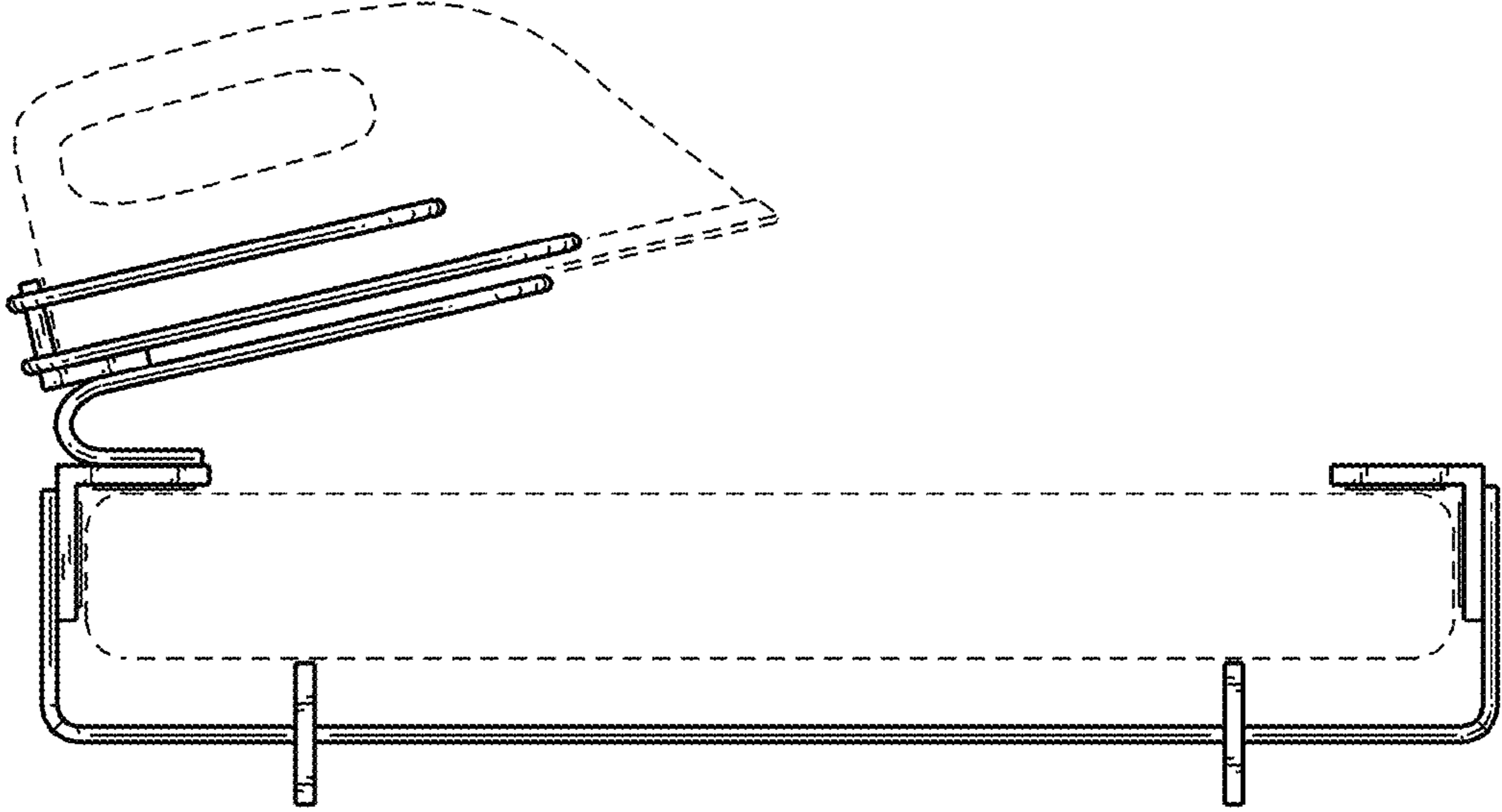


FIG. 2

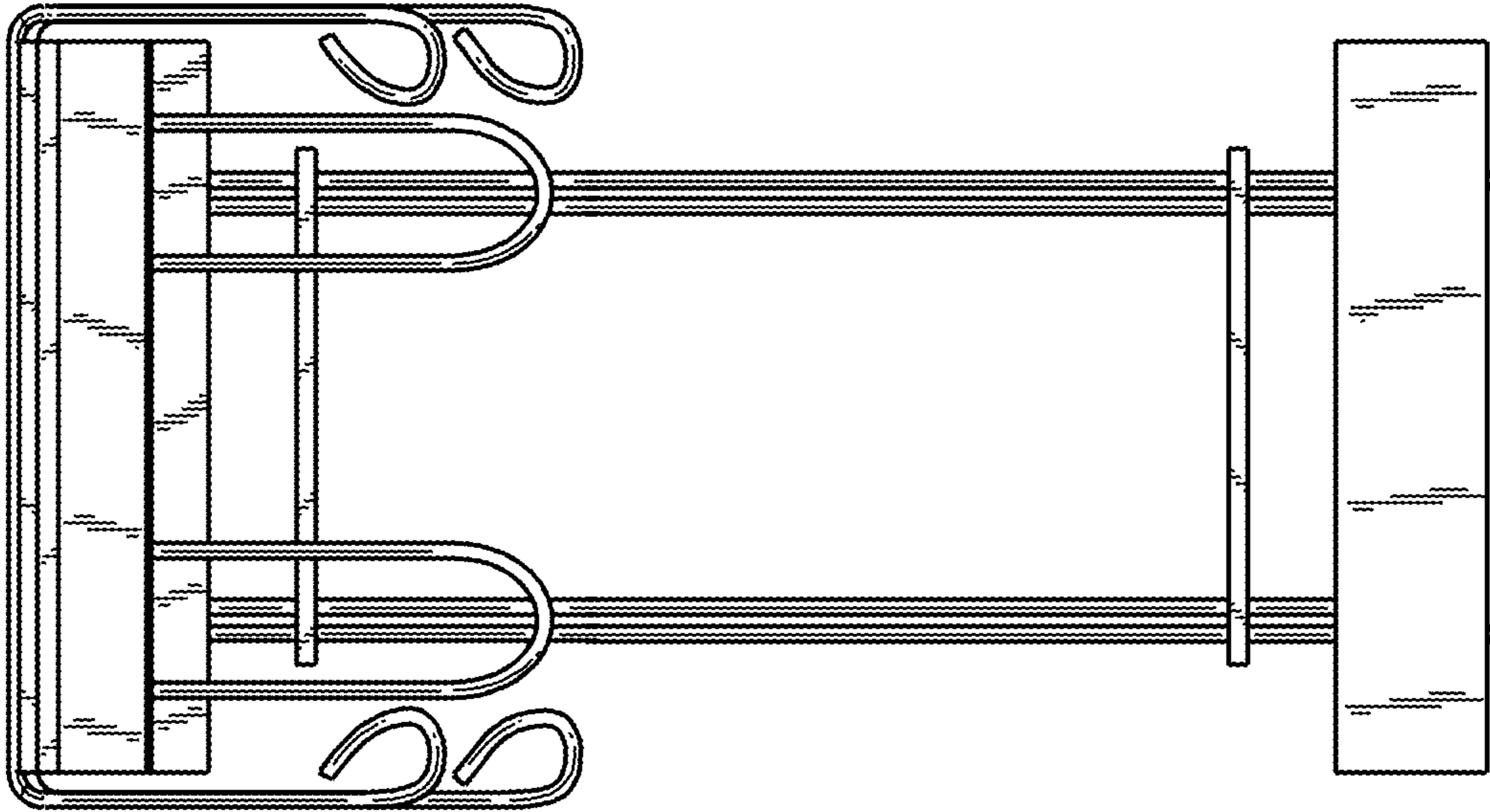


FIG. 3

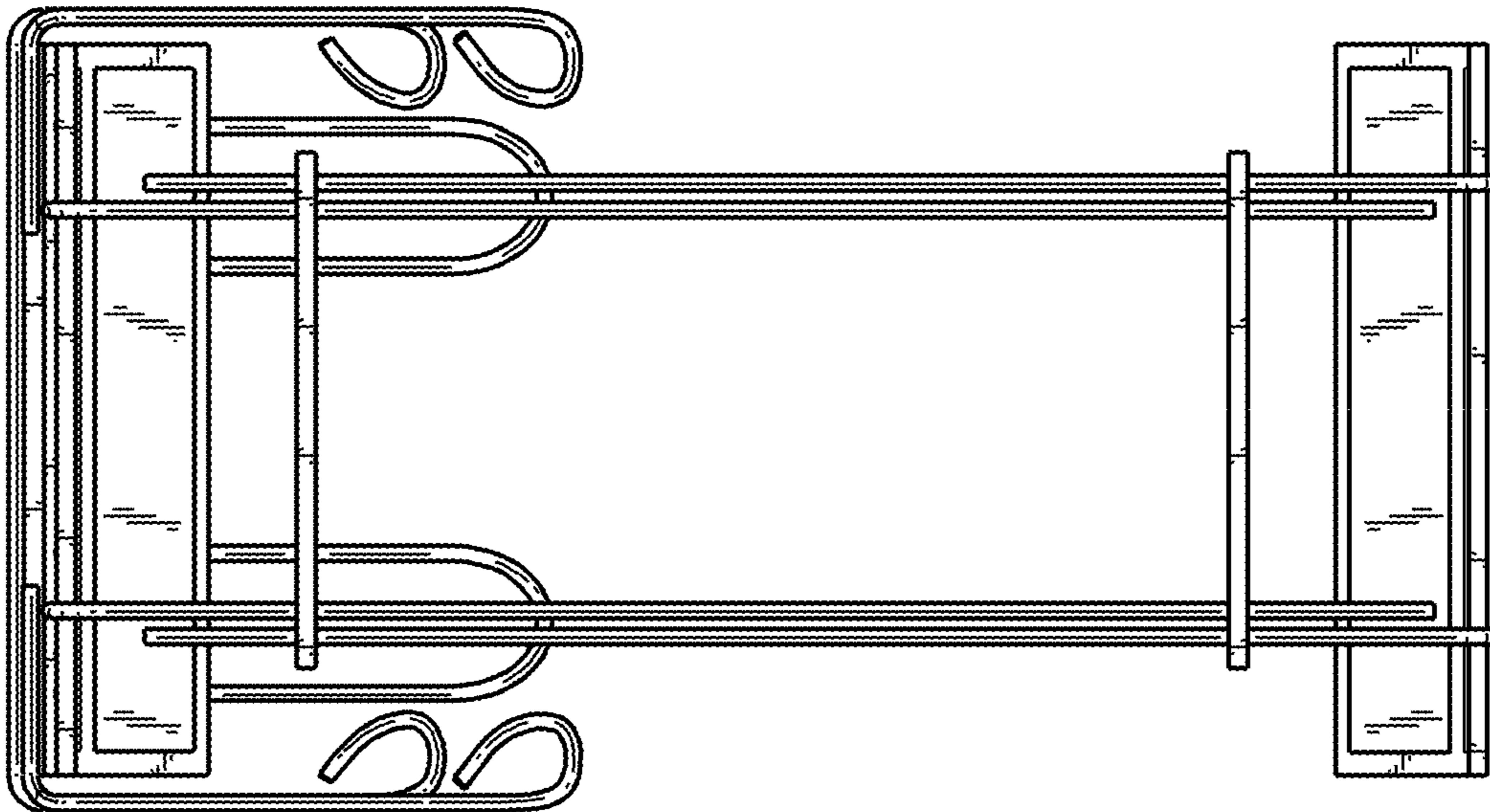


FIG. 4

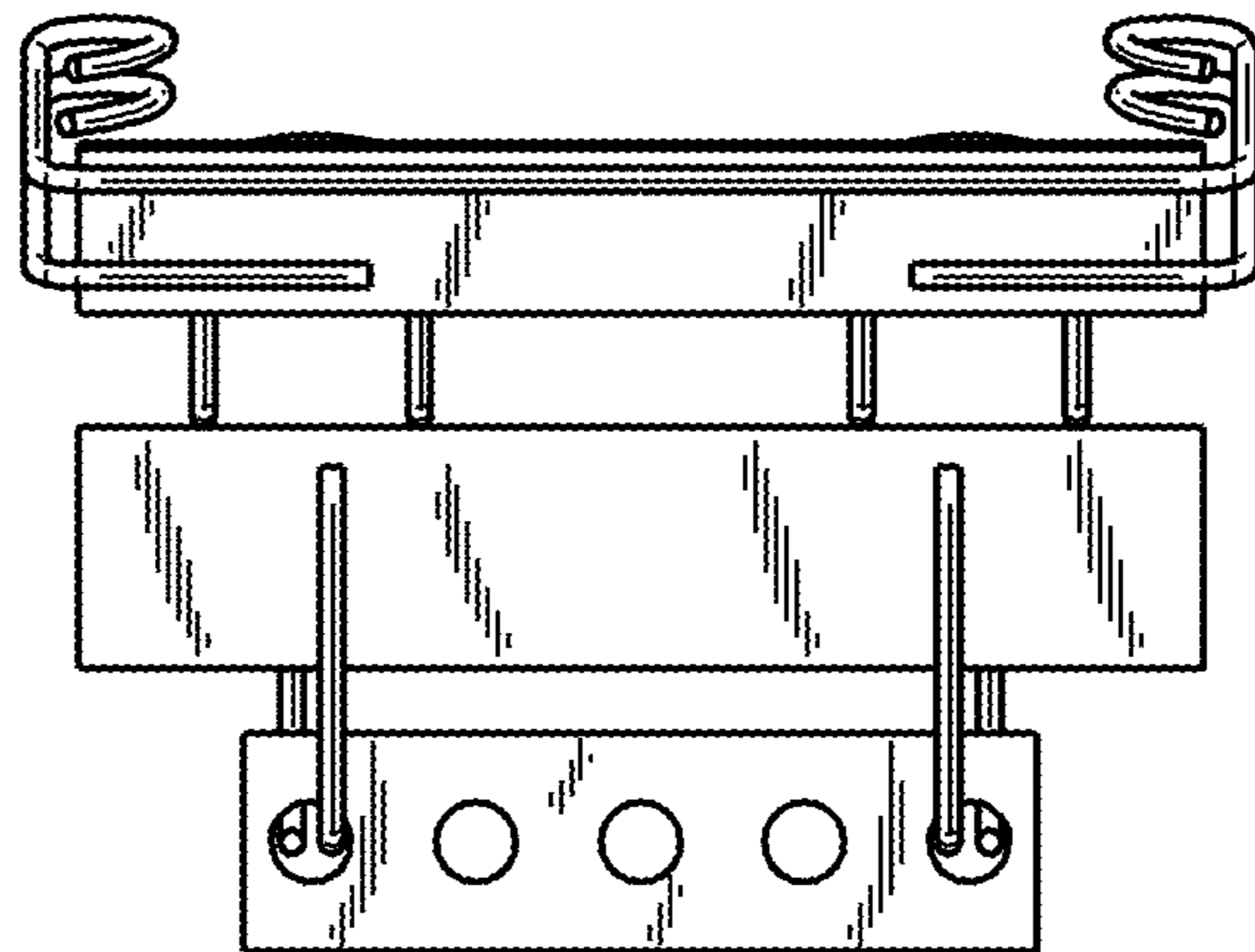


FIG. 5

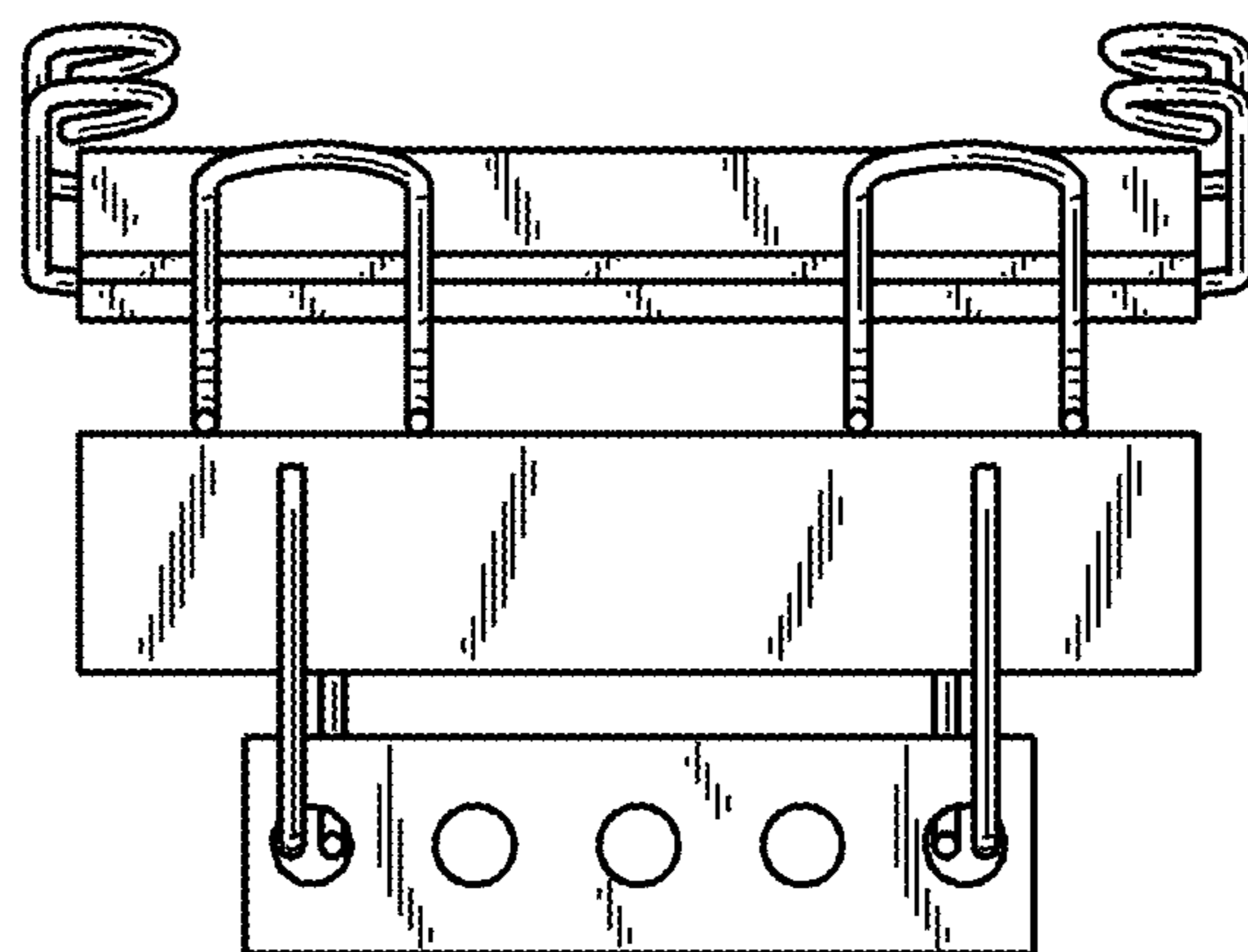


FIG. 6