



US00D680289S

(12) **United States Design Patent**
Gray et al.

(10) **Patent No.:** **US D680,289 S**
(45) **Date of Patent:** **** Apr. 16, 2013**

- (54) **VACUUM CLEANER BRUSH**
- (75) Inventors: **Anna-Karin Gray**, Stockholm (SE);
Esbjörn Svantesson, Täby (SE)
- (73) Assignee: **Aktiebolaget Electrolux**, Stockholm (SE)
- (**) Term: **14 Years**
- (21) Appl. No.: **29/416,702**
- (22) Filed: **Mar. 26, 2012**

Related U.S. Application Data

- (63) Continuation of application No. 29/410,970, filed on Jan. 13, 2012.

Foreign Application Priority Data

- Jul. 13, 2011 (EM) 001890716
- (51) **LOC (9) Cl.** **15-05**
- (52) **U.S. Cl.**
USPC **D32/31**
- (58) **Field of Classification Search** D32/31-33,
D32/25; 15/246.2, 366, 383, 179, 182, 183
See application file for complete search history.

References Cited

U.S. PATENT DOCUMENTS

1,708,242 A	4/1929	Simpson
D125,786 S	3/1941	Schaad
2,251,899 A	8/1941	Smellie
D222,702 S	12/1971	Schaefer et al.
3,716,889 A	2/1973	Goldstein
3,828,387 A	8/1974	Liebscher
4,042,997 A	8/1977	McDowell et al.
4,355,436 A	10/1982	Hertzberg
6,108,853 A	8/2000	Dittus
D431,698 S	10/2000	Hoshide et al.

6,393,657 B1	5/2002	Zimet	
D471,332 S	3/2003	Haegermarck et al.	
6,539,575 B1	4/2003	Cohen	
6,574,823 B1	6/2003	Stegens	
6,591,441 B2	7/2003	Stegens et al.	
D478,698 S	8/2003	Mertes et al.	
6,772,475 B2	8/2004	Weber et al.	
6,959,467 B2	11/2005	Kimmerle et al.	
D518,258 S	3/2006	Hamm et al.	
7,140,062 B1	11/2006	Chen	
D647,265 S	10/2011	Follows et al.	
2005/0138765 A1	6/2005	Lee	
2006/0117521 A1	6/2006	Dever	
2006/0236500 A1	10/2006	Oh et al.	
2009/0205153 A1	8/2009	Morphey	
2011/0047746 A1	3/2011	Butts et al.	
2011/0138570 A1*	6/2011	Hsu	15/383
2011/0214250 A1*	9/2011	McLeod et al.	15/383

* cited by examiner

Primary Examiner — Ruth McInroy

(74) *Attorney, Agent, or Firm* — Banner & Witcoff, Ltd.

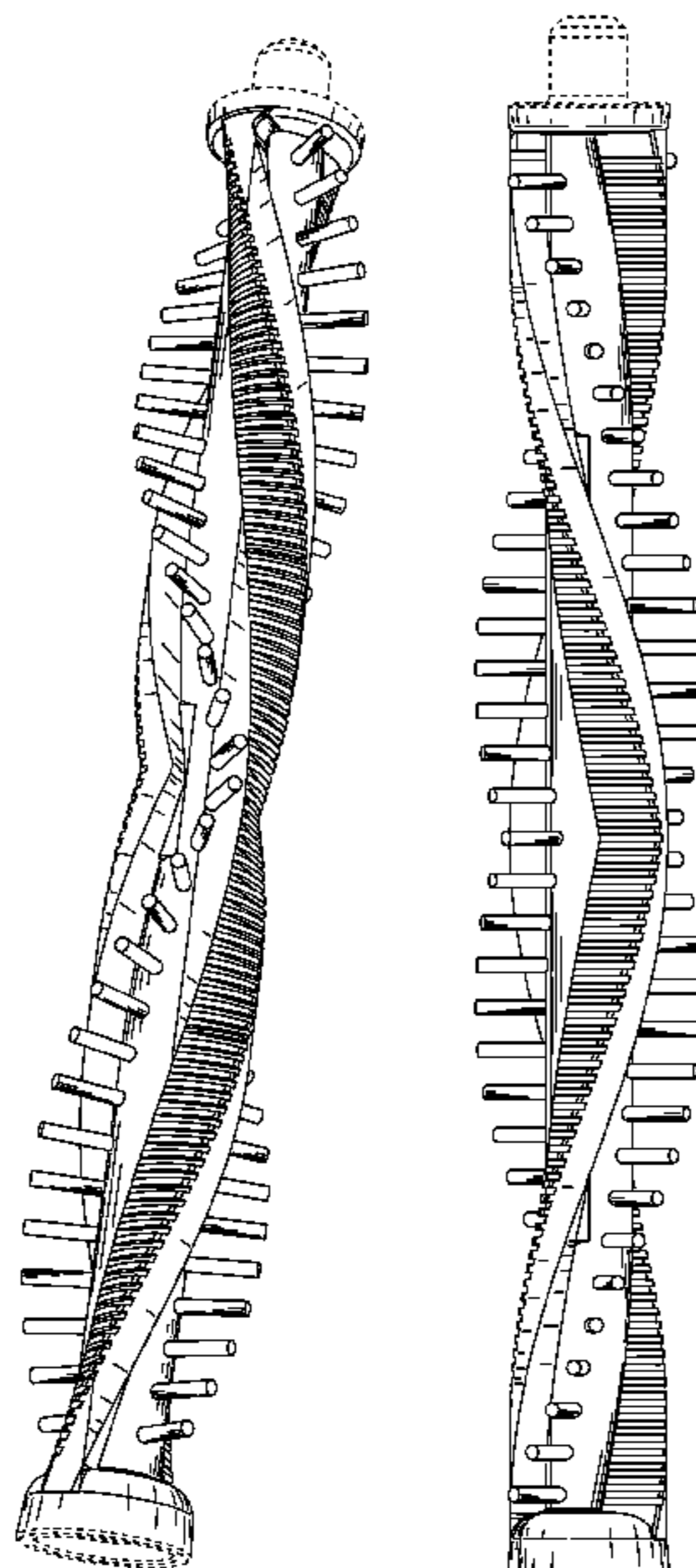
(57) **CLAIM**

The ornamental design for a vacuum cleaner brush, as shown and described.

DESCRIPTION

FIG. 1 is a perspective view of a vacuum cleaner brush showing our new design;
 FIG. 2 is a first side view thereof;
 FIG. 3 is a second side view thereof rotated 90° from FIG. 2;
 FIG. 4 is a third side view thereof rotated 180° from FIG. 2;
 FIG. 5 is a fourth side view thereof rotated 270° from FIG. 2;
 FIG. 6 is an enlarged left end view thereof; and,
 FIG. 7 is an enlarged right end view thereof.
 The broken line showing of portions of the opposed end cap is for environmental purposes only and forms no part of the claimed design.

1 Claim, 7 Drawing Sheets



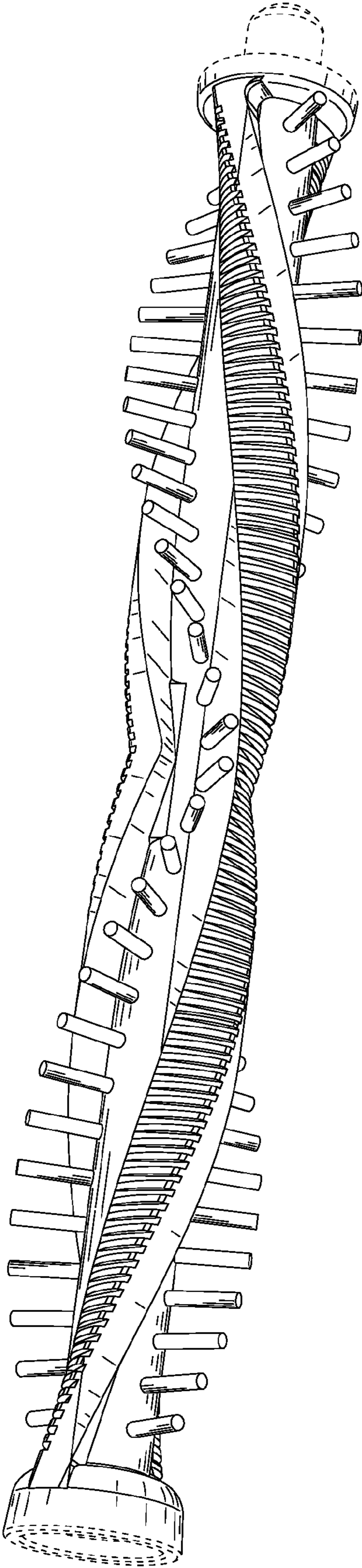


FIG. 1

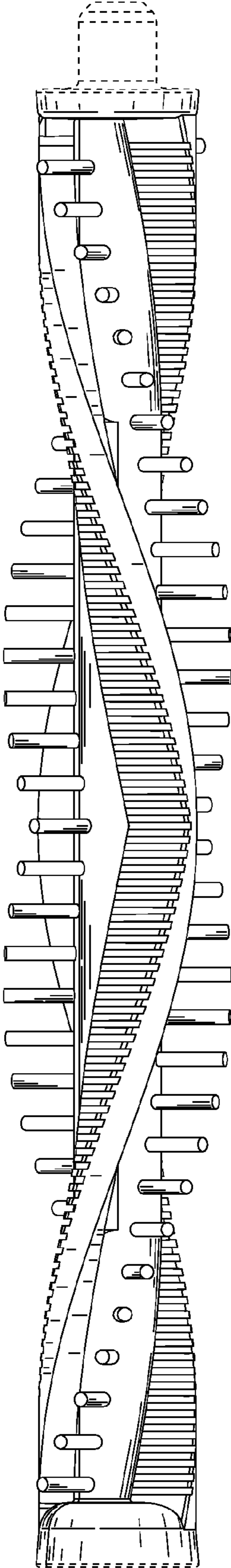


FIG. 2

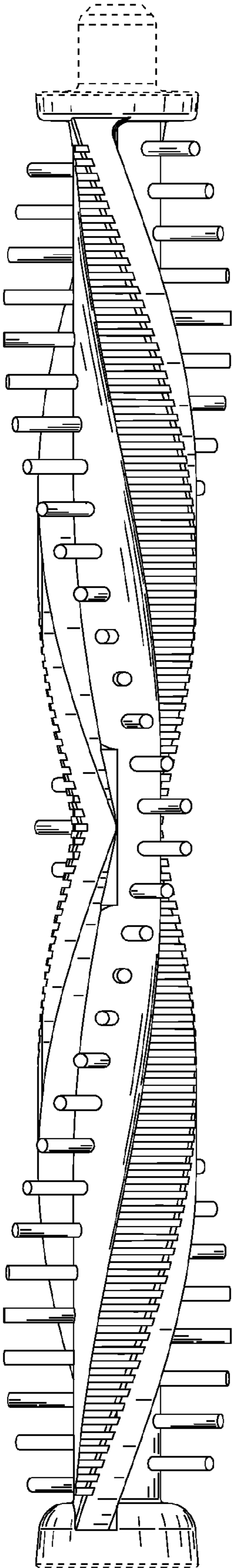


FIG. 3

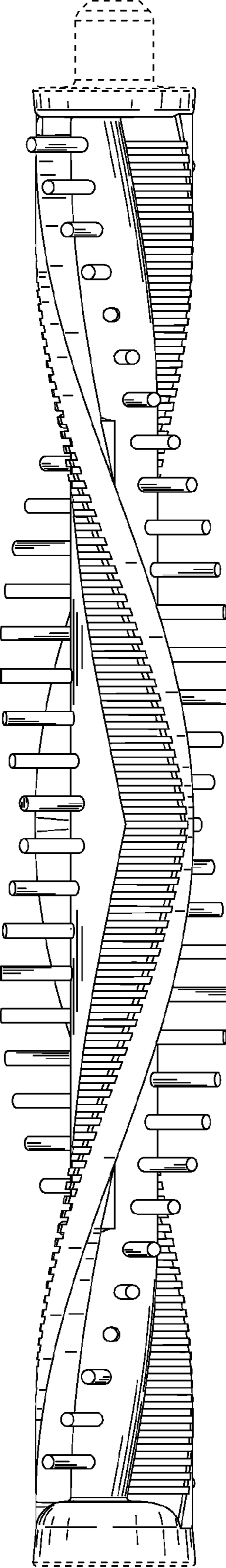


FIG. 4

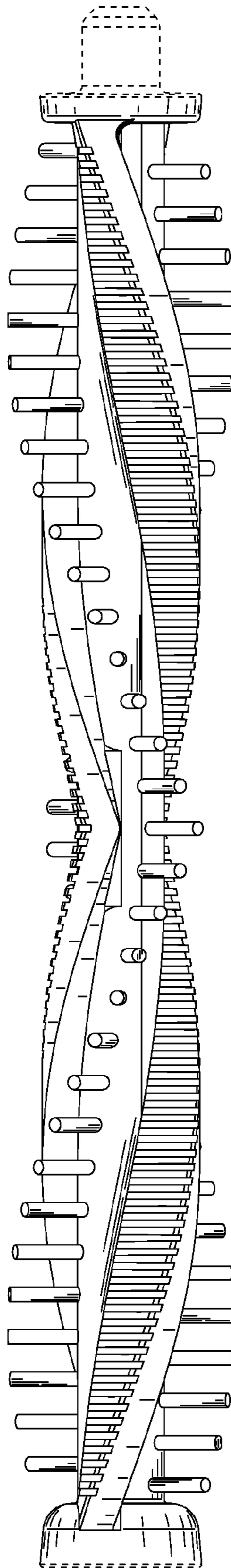


FIG. 5

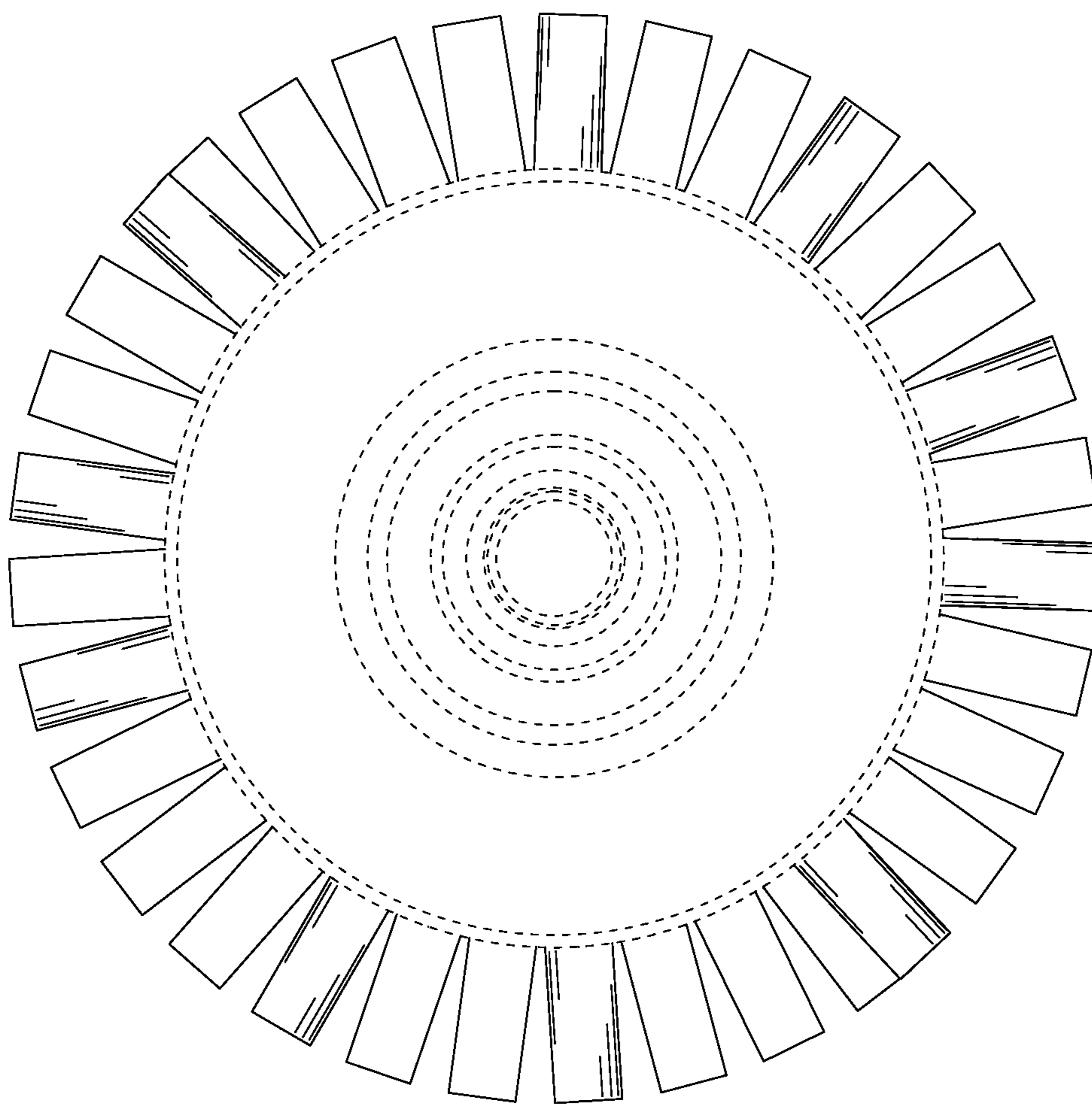


FIG. 6

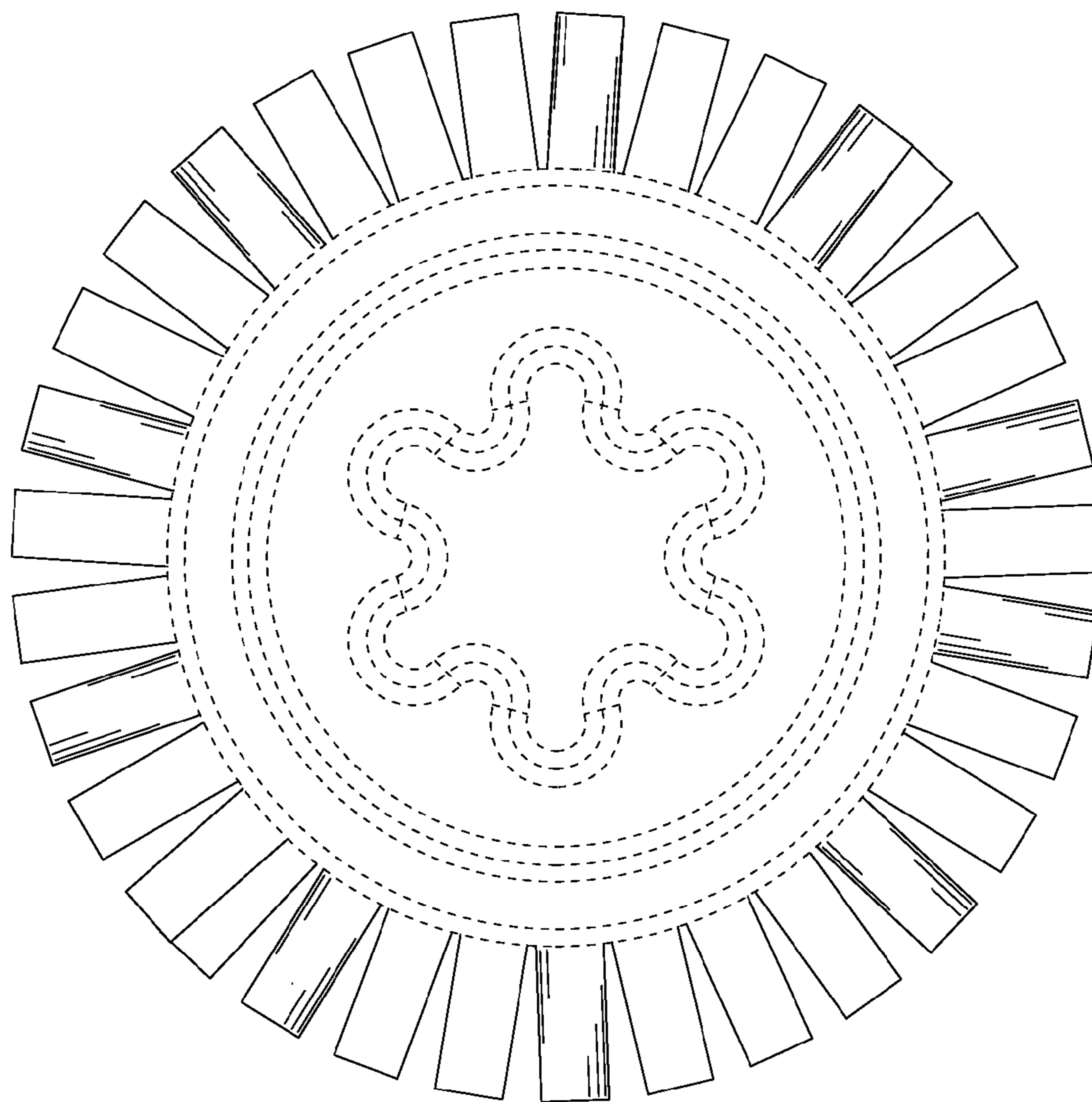


FIG. 7