



US00D680285S

(12) **United States Design Patent**
Bilger et al.

(10) **Patent No.:** **US D680,285 S**

(45) **Date of Patent:** **** Apr. 16, 2013**

(54) **VACUUM CLEANER**

(75) Inventors: **Dan Bilger**, Amherst, NH (US); **Meg McCusker**, Somerville, MA (US); **Mark Rosenzweig**, Chestnut Hill, MA (US); **Jason Boyd Thorne**, Hong Kong (HK)

(73) Assignee: **Euro-Pro Operating LLC**, West Newton, MA (US)

(**) Term: **14 Years**

(21) Appl. No.: **29/402,644**

(22) Filed: **Sep. 26, 2011**

(51) **LOC (9) Cl.** **15-05**

(52) **U.S. Cl.**
USPC **D32/21; D32/18**

(58) **Field of Classification Search** D32/31,
D32/34, 22, 18, 21; 15/347, 353, 320, 329,
15/344; 55/320, 337, DIG. 3, 429, 345, 459.1
See application file for complete search history.

(56) **References Cited**

U.S. PATENT DOCUMENTS

D494,718 S *	8/2004	Rosenzweig et al.	D32/31
D494,719 S *	8/2004	Rosenzweig et al.	D32/31
D520,692 S *	5/2006	Leyden	D32/31
D533,976 S *	12/2006	Luebbering et al.	D32/31
D547,505 S *	7/2007	Carr et al.	D32/31

D547,506 S *	7/2007	Medema et al.	D32/31
D547,507 S *	7/2007	Medema et al.	D32/31
D581,612 S *	11/2008	Yoo et al.	D32/31
7,517,377 B2 *	4/2009	Yoshida et al.	55/304
D609,418 S *	2/2010	Santiago et al.	D32/31
D632,036 S *	2/2011	McNeil et al.	D32/31
2005/0160554 A1 *	7/2005	Ueyama et al.	15/353
2007/0234687 A1 *	10/2007	Ni	55/337
2009/0113859 A1 *	5/2009	Oh et al.	55/337

* cited by examiner

Primary Examiner — Ruth McInroy

(74) *Attorney, Agent, or Firm* — Bereskin & Parr LLP/
S.E.N.C.R.L. s.r.l.; Philip C. Mendes da Costa

(57) **CLAIM**

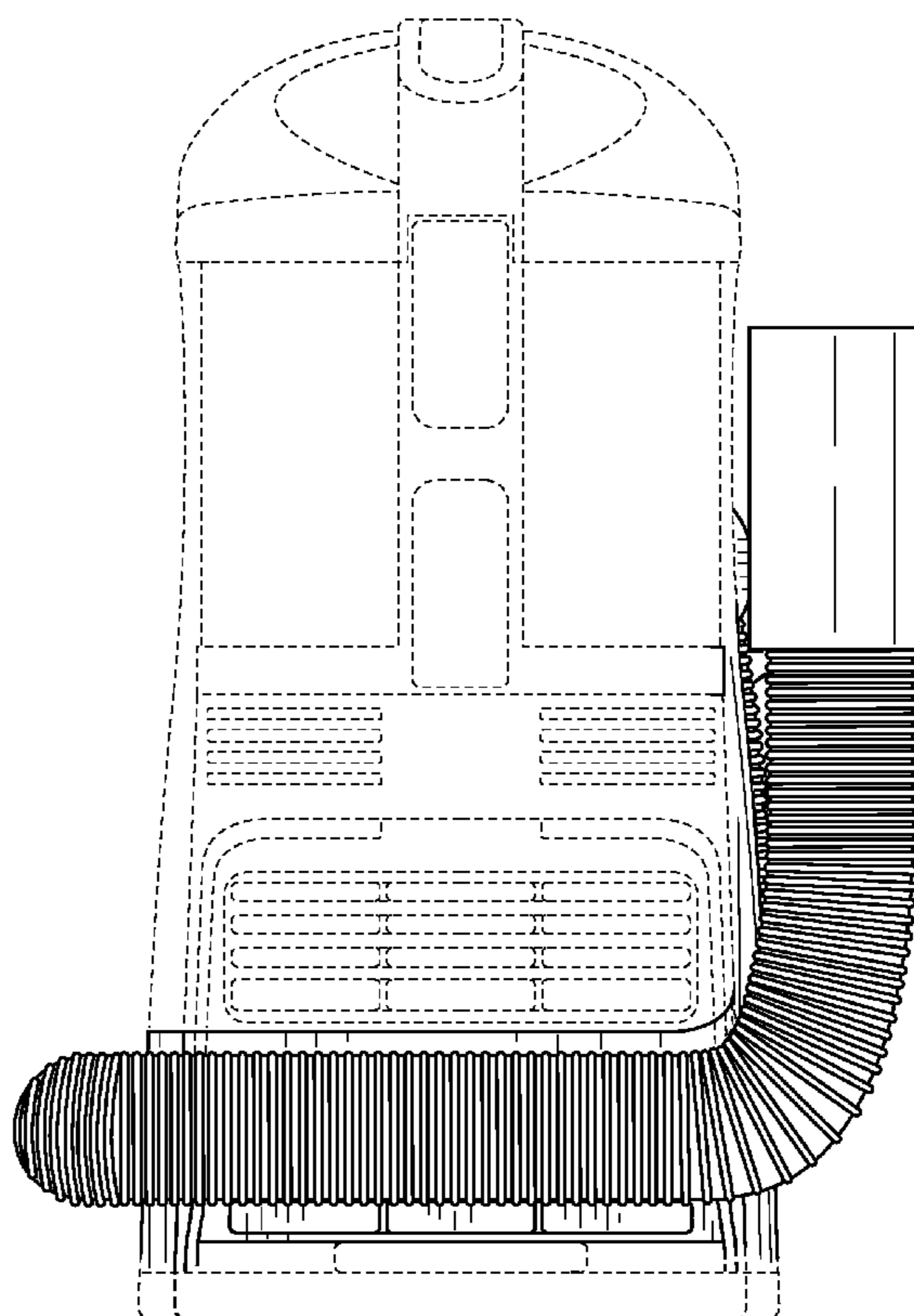
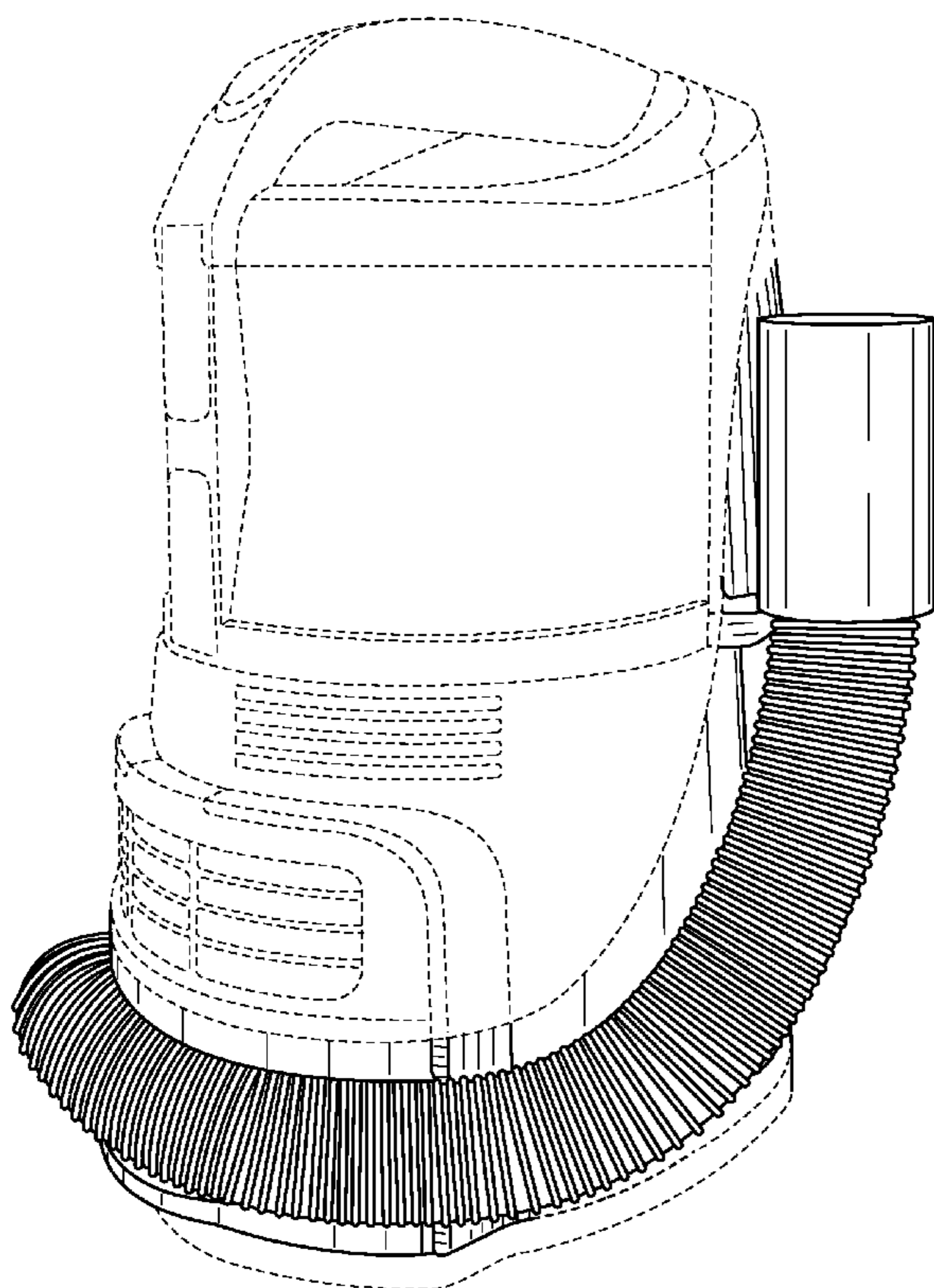
We claim the ornamental design for a vacuum cleaner, as shown and described.

DESCRIPTION

FIG. 1 is a front and right side perspective view of a vacuum cleaner showing our new design;
FIG. 2 is a front elevation view thereof;
FIG. 3 is a right side elevation view thereof;
FIG. 4 is a left side elevation view thereof;
FIG. 5 is a rear elevation view thereof;
FIG. 6 is a top plan view thereof; and,
FIG. 7 is a bottom plan view thereof.

The details shown in broken lines form no part of the claimed design. The upper solid lines in FIGS. 1-4 delimit the portion of the housing included in the design and are not contour lines.

1 Claim, 7 Drawing Sheets



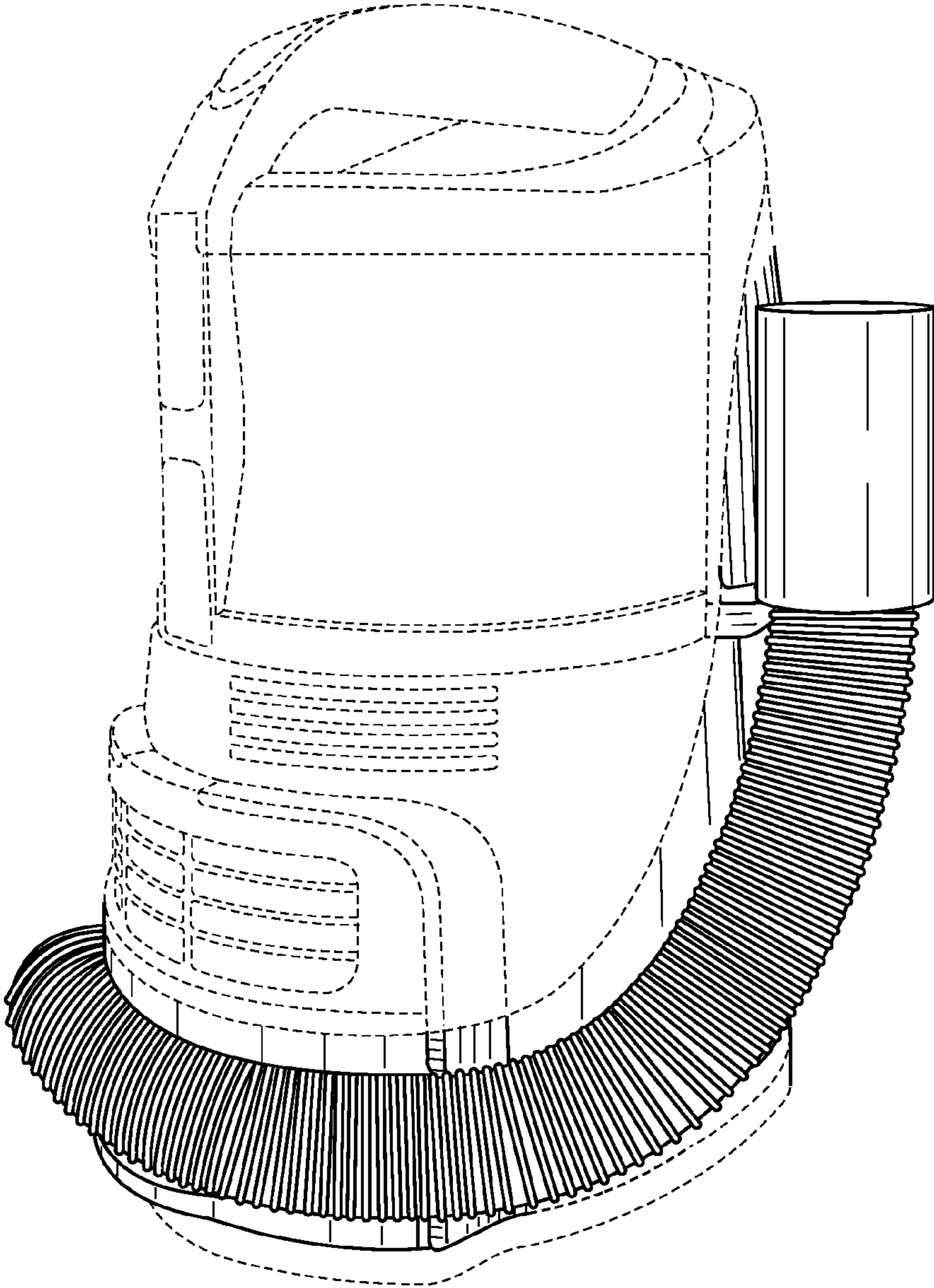


Fig.1

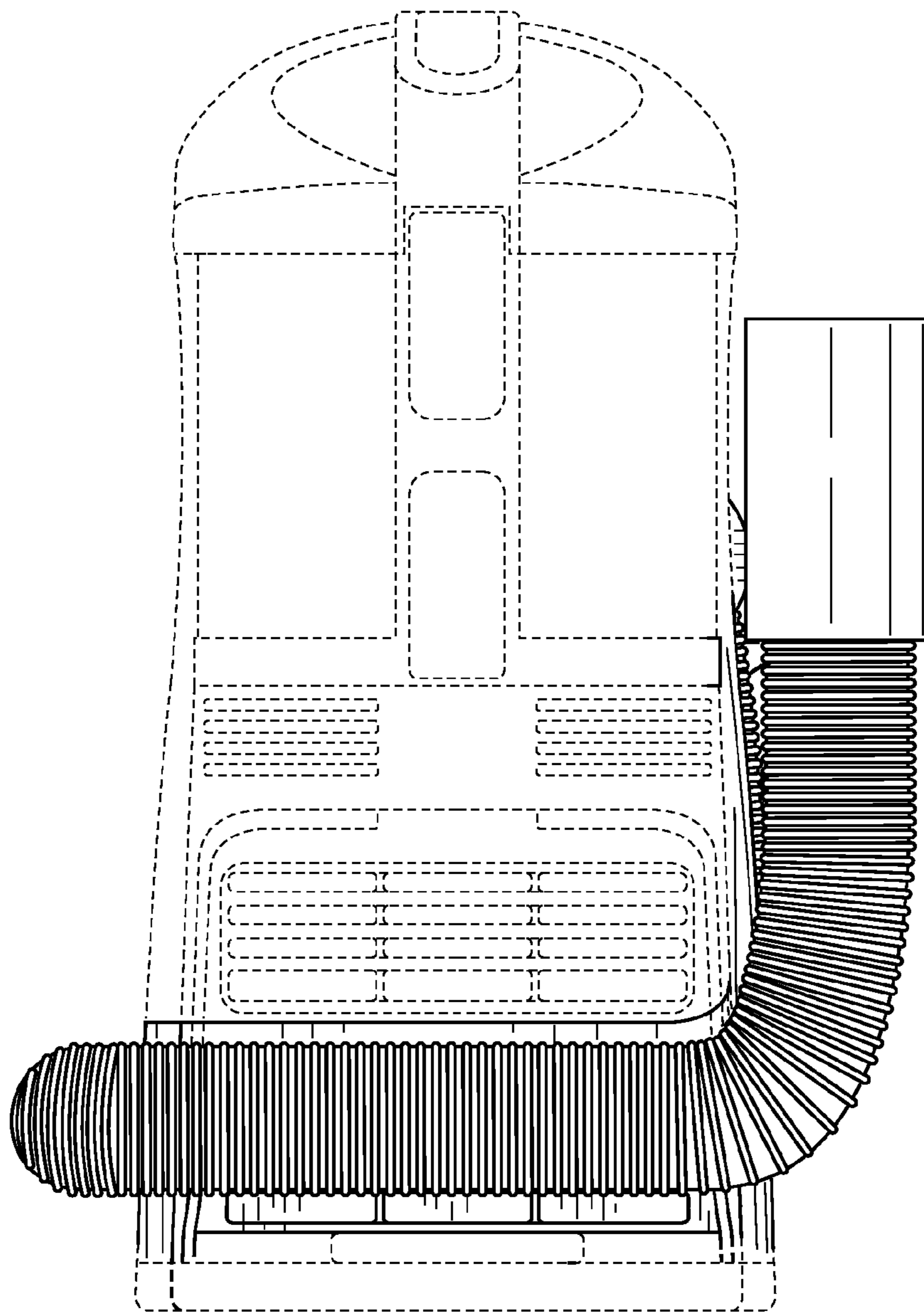


Fig.2

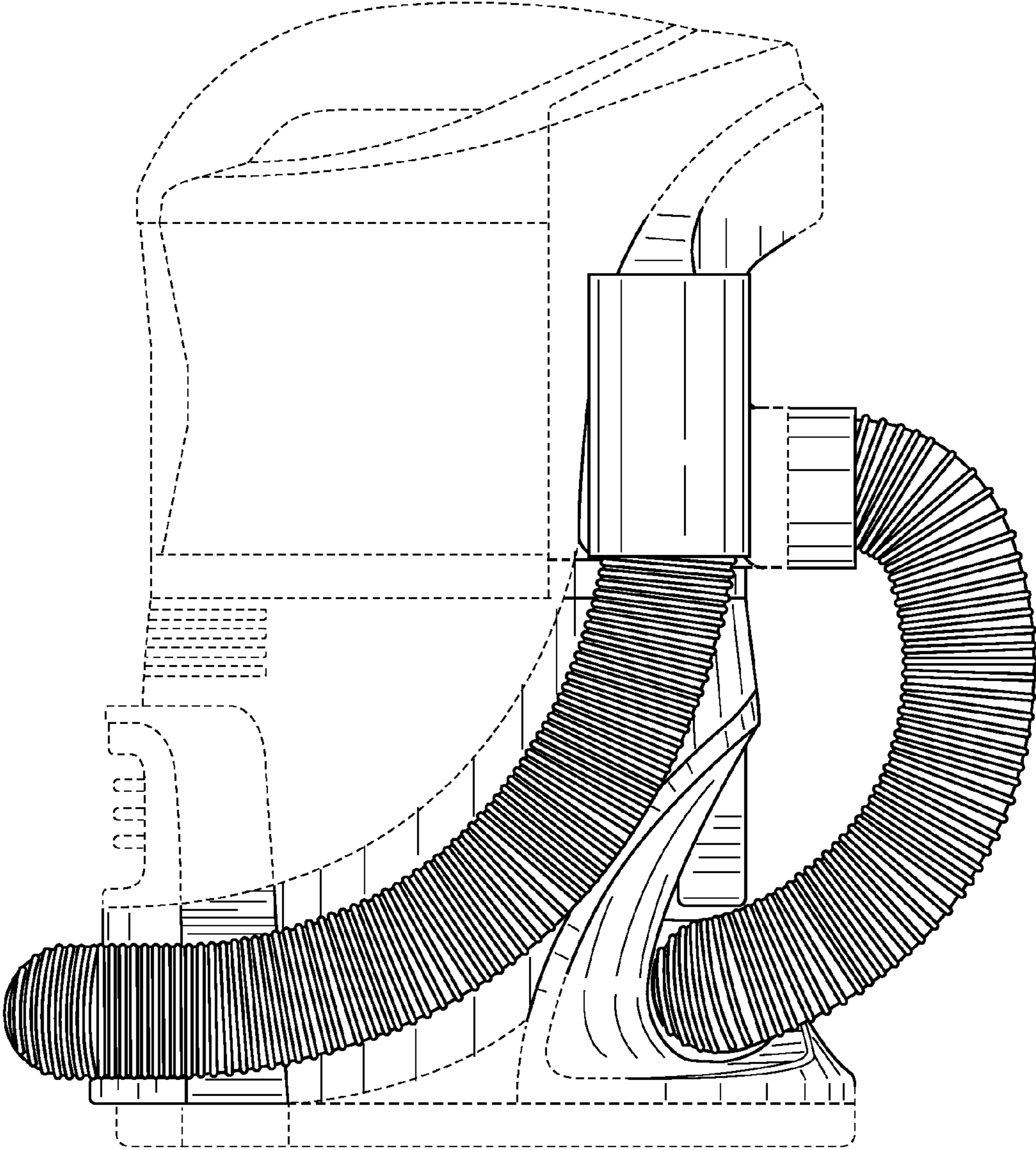


Fig.3

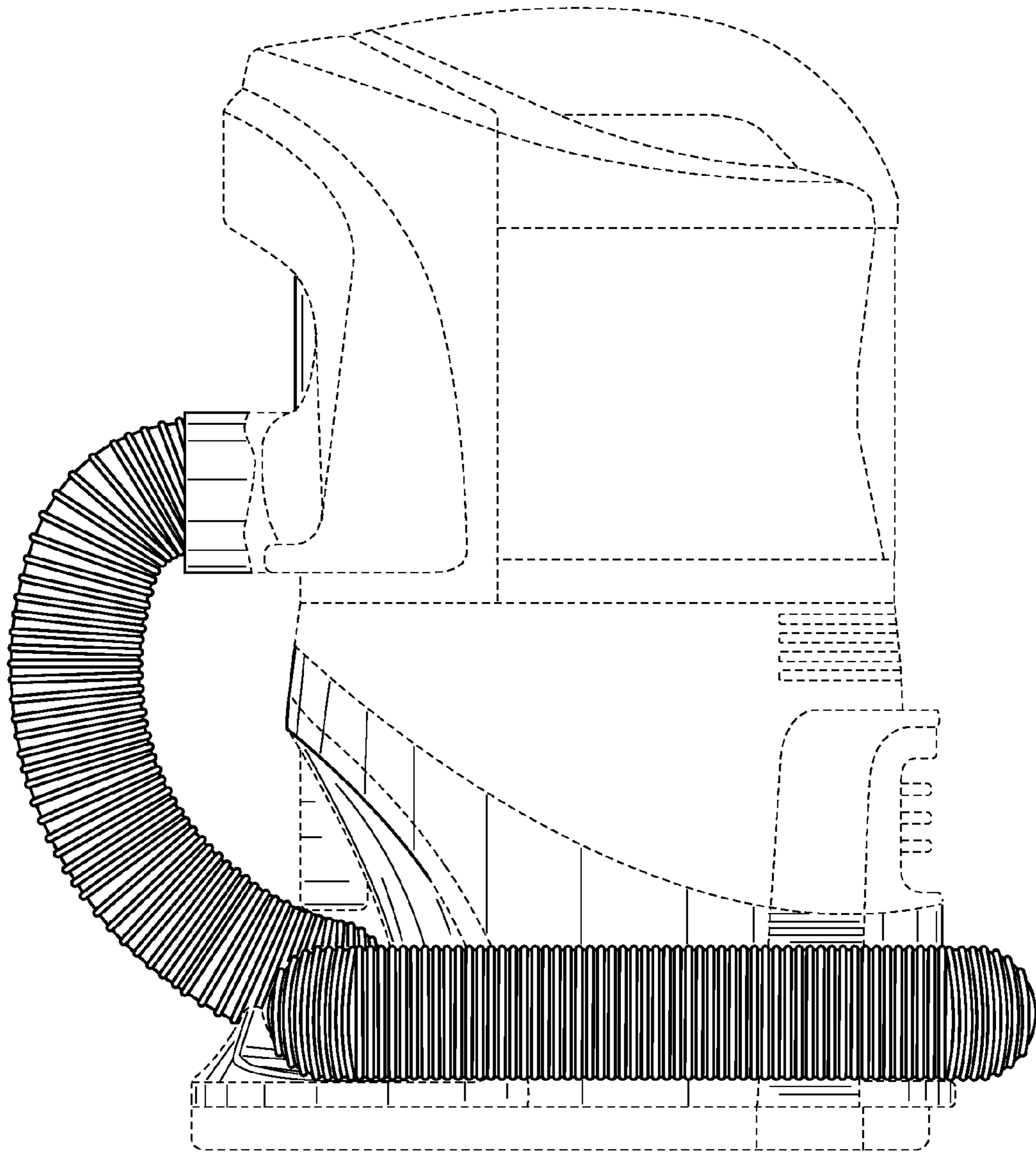


Fig.4

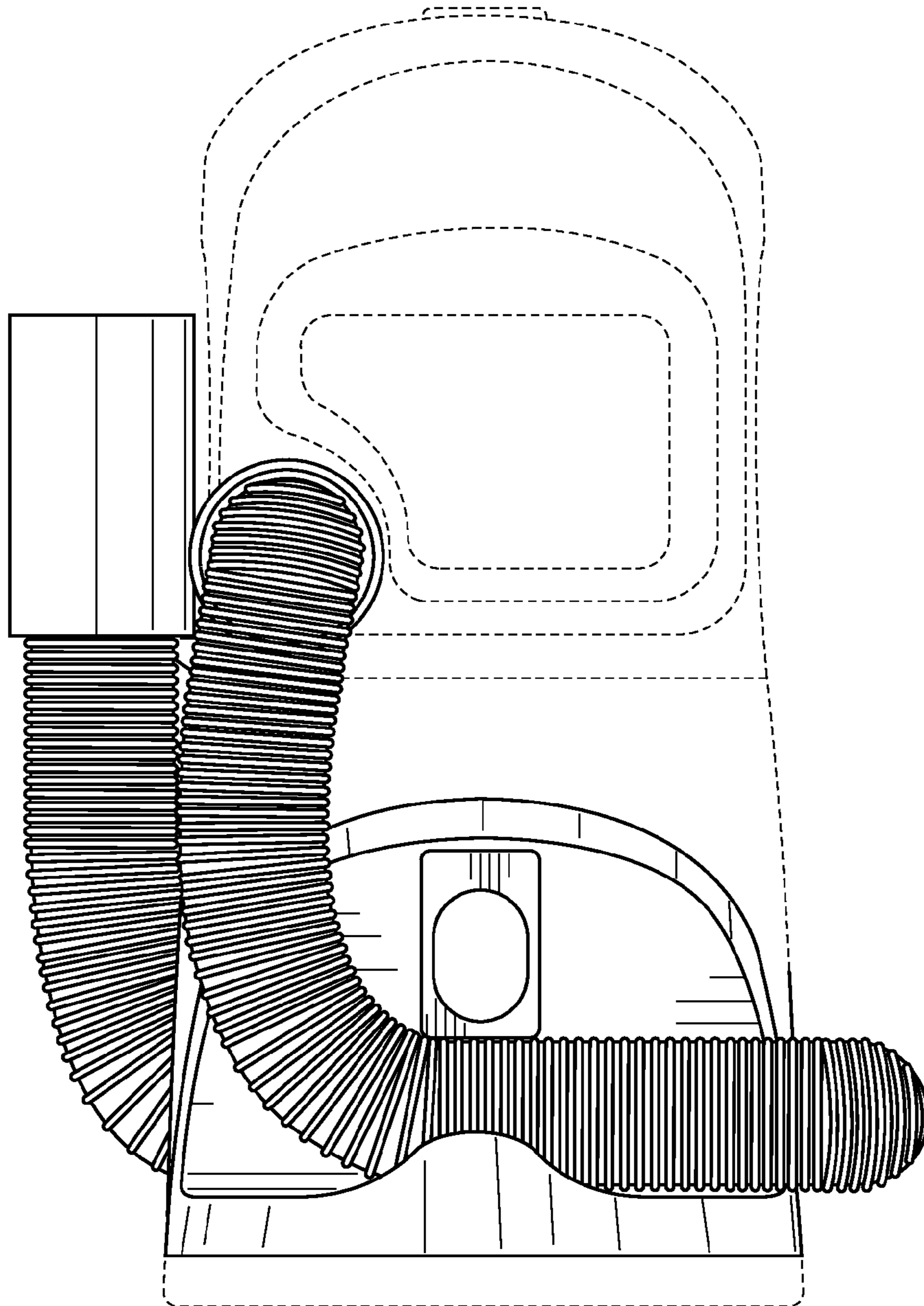


Fig.5

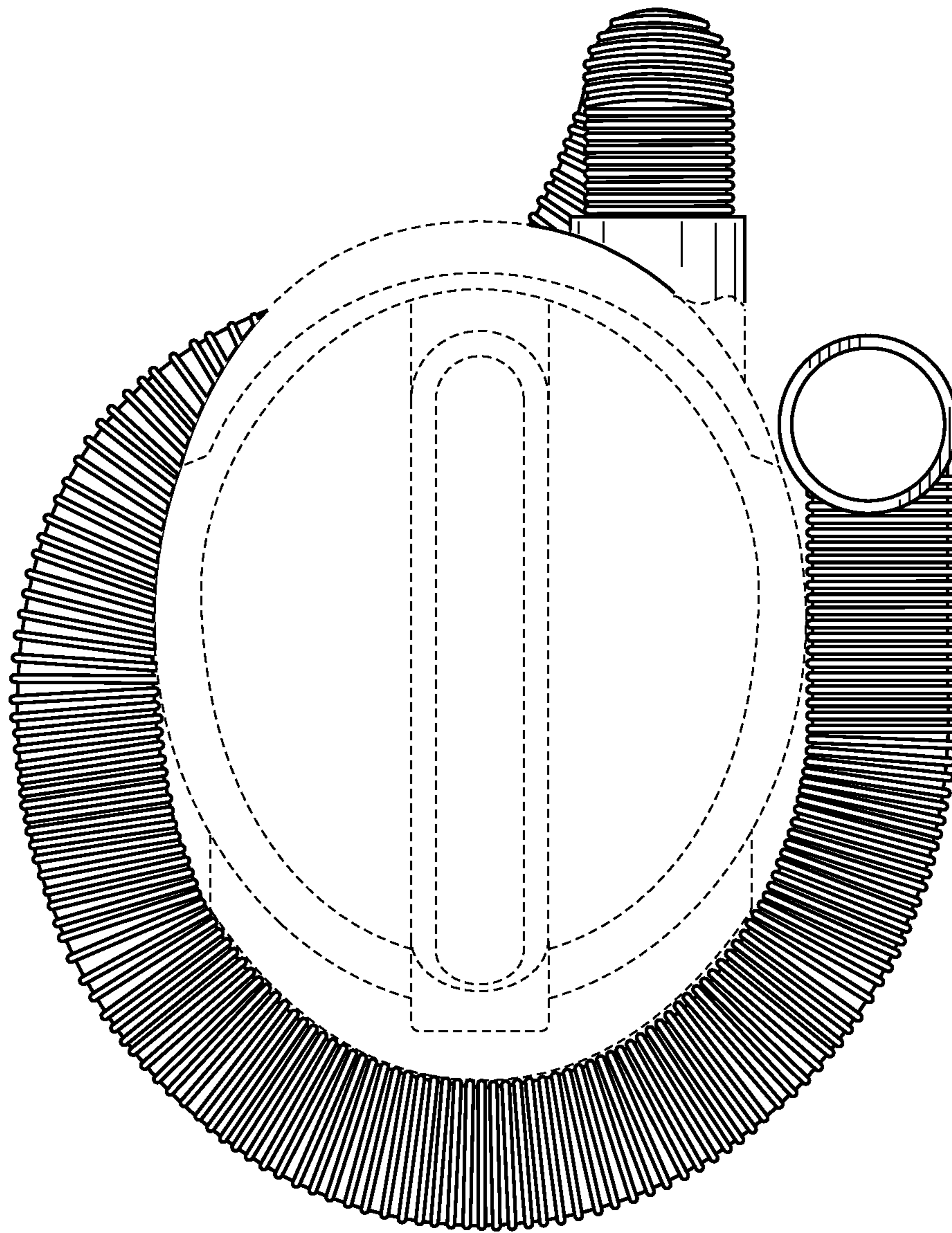


Fig.6

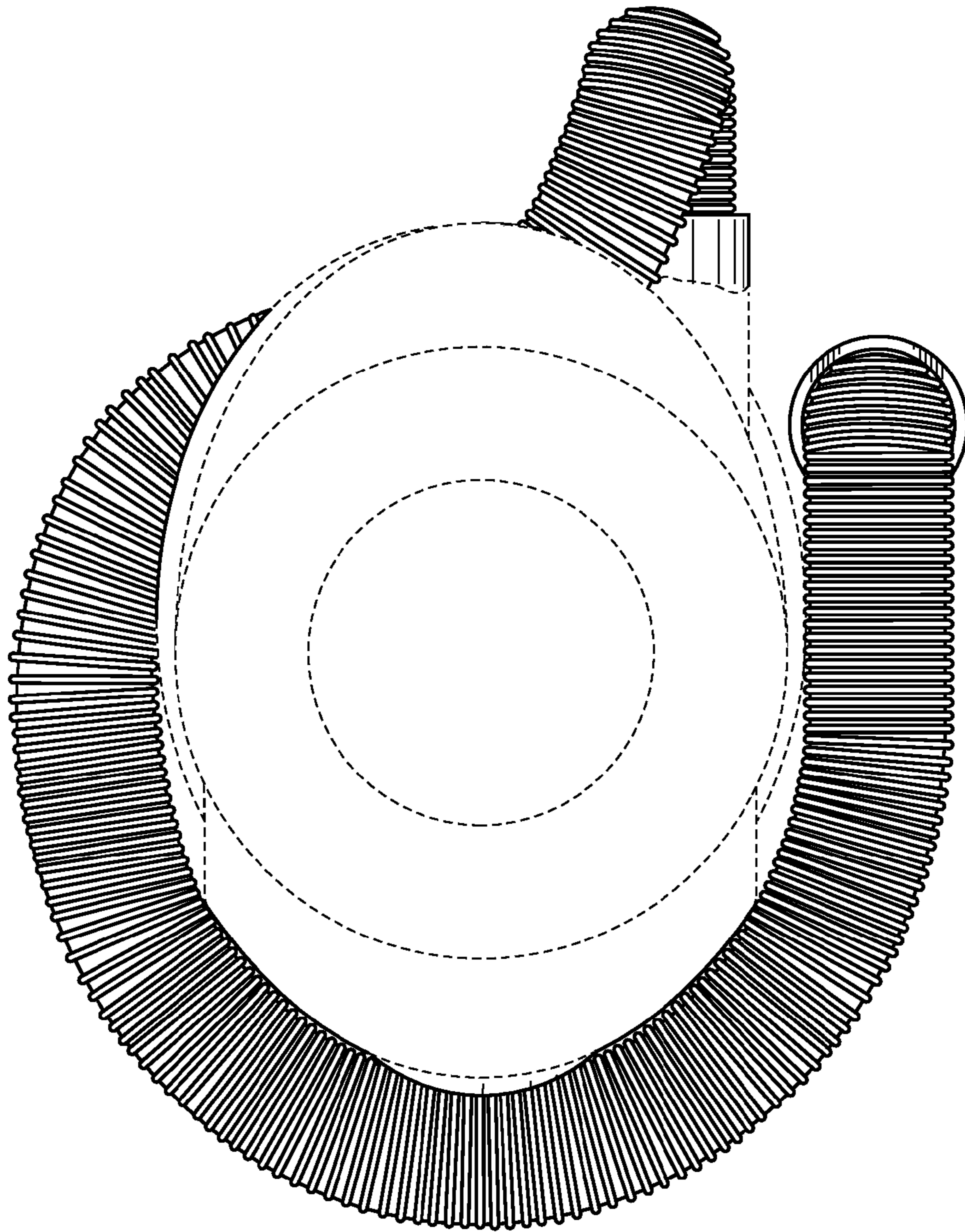


Fig.7