



US00D680284S

(12) **United States Design Patent**  
**Bilger et al.**

(10) **Patent No.:** **US D680,284 S**

(45) **Date of Patent:** **\*\* Apr. 16, 2013**

(54) **VACUUM CLEANER**

(75) Inventors: **Dan Bilger**, Amherst, NH (US); **Meg McCusker**, Somerville, MA (US); **Mark Rosenzweig**, Chestnut Hill, MA (US); **Jason Boyd Thorne**, Hong Kong (HK)

(73) Assignee: **Euro-Pro Operating LLC**, West Newton, MA (US)

(\*\*) Term: **14 Years**

(21) Appl. No.: **29/402,643**

(22) Filed: **Sep. 26, 2011**

(51) **LOC (9) Cl.** ..... **15-05**

(52) **U.S. Cl.**  
USPC ..... **D32/21**

(58) **Field of Classification Search** ..... D32/31,  
D32/34, 22, 18, 21; 15/347, 353, 320, 329,  
15/344; 55/320, 337, DIG. 3, 429, 345, 459.1  
See application file for complete search history.

(56) **References Cited**

U.S. PATENT DOCUMENTS

D494,718	S	*	8/2004	Rosenzweig et al.	.....	D32/31
D494,719	S	*	8/2004	Rosenzweig et al.	.....	D32/31
D520,692	S	*	5/2006	Leyden	.....	D32/31
D533,976	S	*	12/2006	Luebbering et al.	.....	D32/31

D547,505	S	*	7/2007	Carr et al.	.....	D32/31
D547,506	S	*	7/2007	Medema et al.	.....	D32/31
D547,507	S	*	7/2007	Medema et al.	.....	D32/31
D581,612	S	*	11/2008	Yoo et al.	.....	D32/31
7,517,377	B2	*	4/2009	Yoshida et al.	.....	55/304
D609,418	S	*	2/2010	Santiago et al.	.....	D32/31
D632,036	S	*	2/2011	McNeil et al.	.....	D32/31
2005/0160554	A1	*	7/2005	Ueyama et al.	.....	15/353
2007/0234687	A1	*	10/2007	Ni	.....	55/337
2009/0113859	A1	*	5/2009	Oh et al.	.....	55/337

\* cited by examiner

*Primary Examiner* — Ruth McInroy

(74) *Attorney, Agent, or Firm* — Bereskin & Parr LLP  
S.E.N.C.R.L., s.rl.; Philip C. Mendes da Costa

(57) **CLAIM**

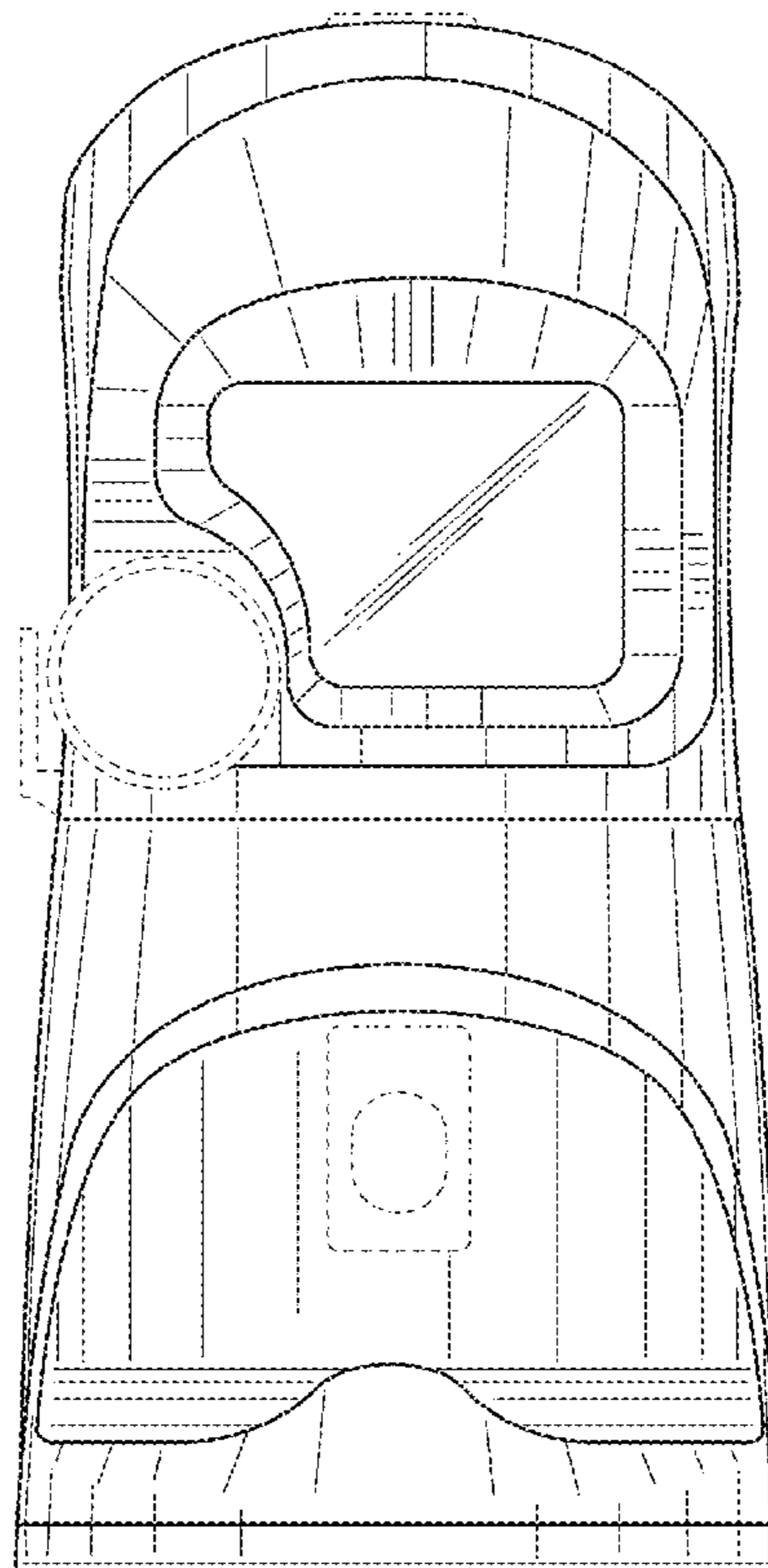
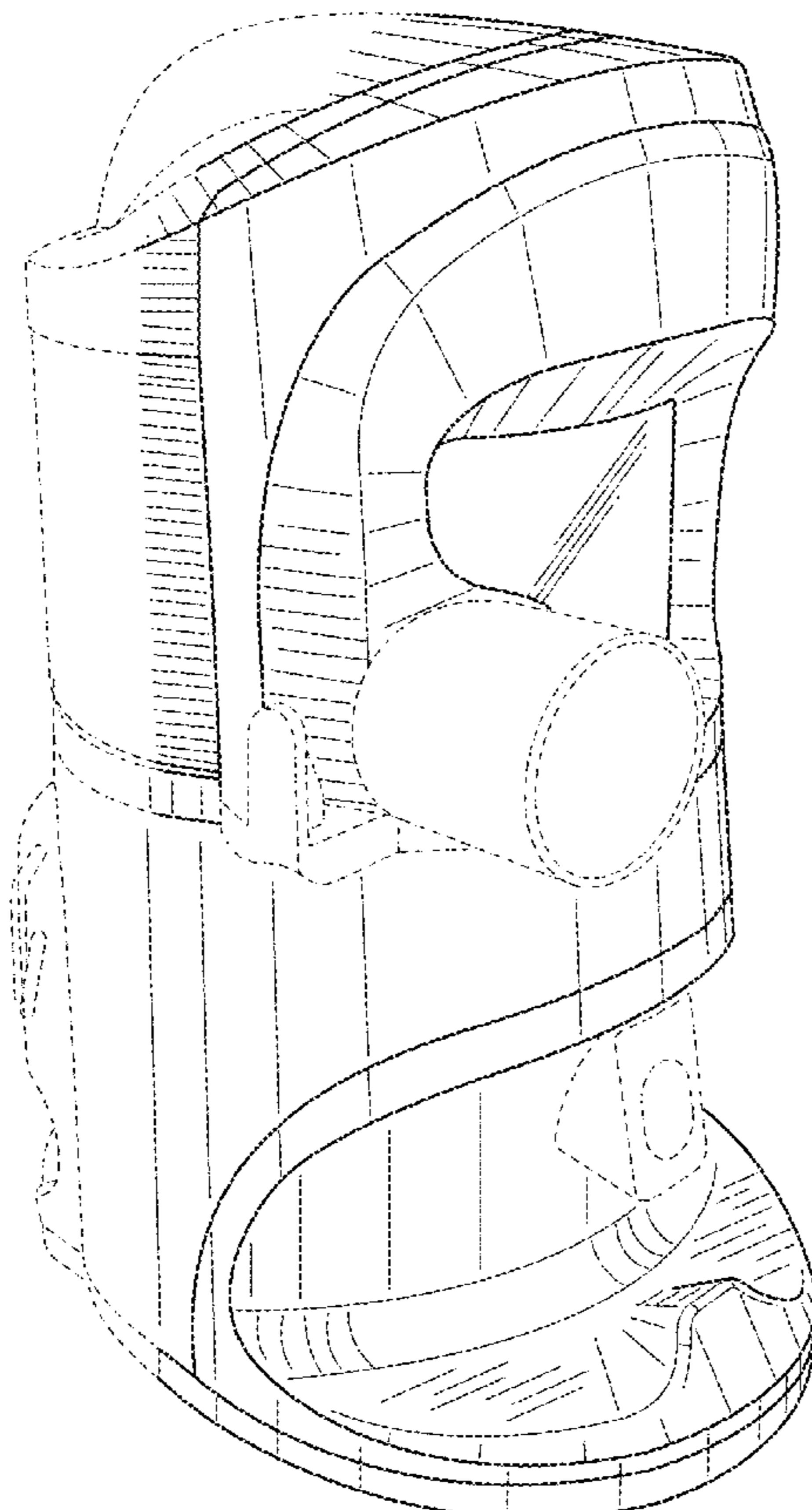
We claim the ornamental design for a vacuum cleaner, as shown and described.

**DESCRIPTION**

FIG. 1 is a perspective view from the rear and left side of a vacuum cleaner showing our new design; FIG. 2 is a rear elevation view thereof; FIG. 3 is a left side elevation view thereof; FIG. 4 is a right side elevation view thereof; FIG. 5 is a front elevation view thereof; FIG. 6 is a top plan view thereof; and, FIG. 7 is a bottom plan view thereof.

The details shown in broken lines form no part of the claimed design.

**1 Claim, 7 Drawing Sheets**



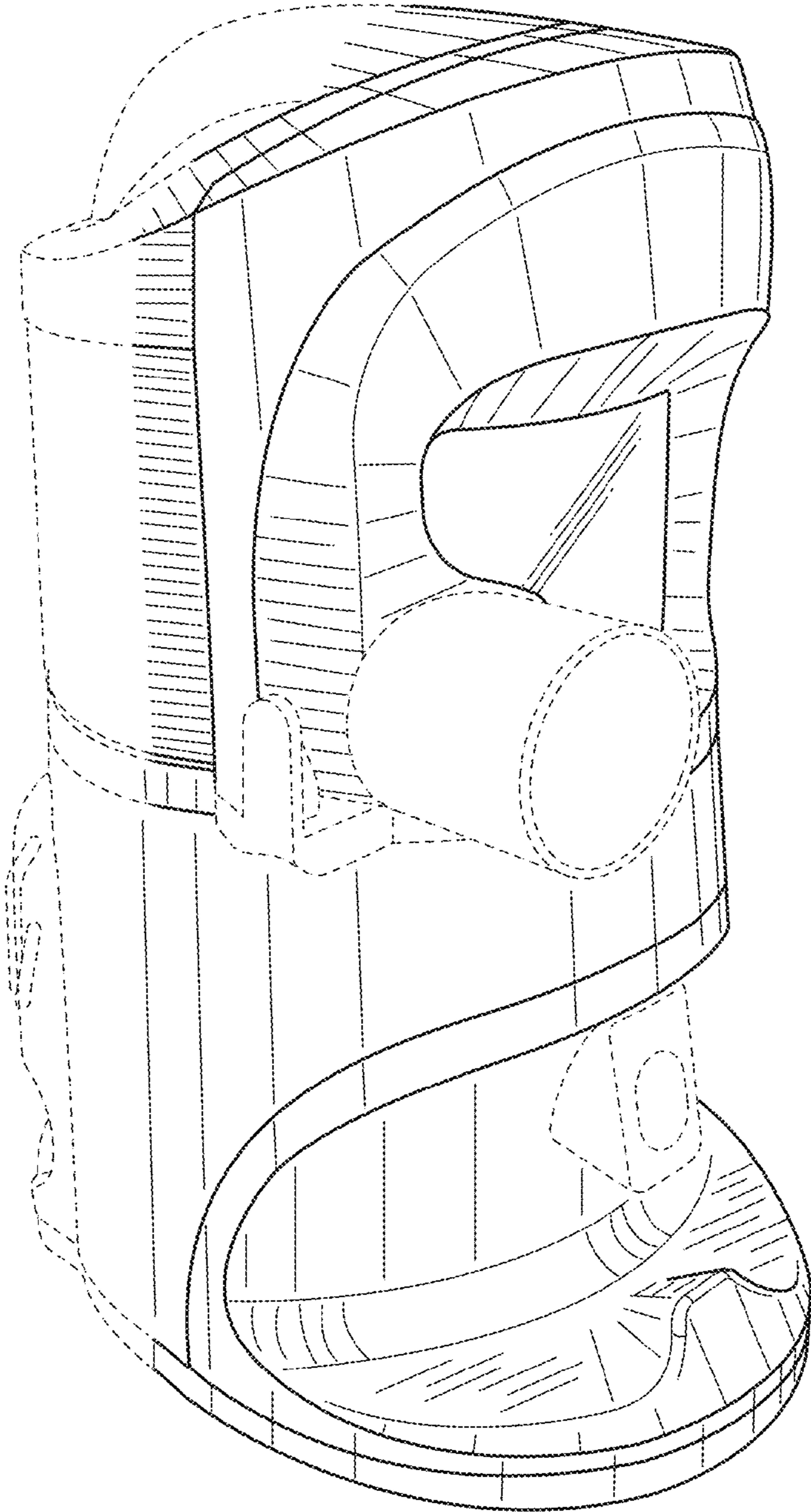


Fig. 1

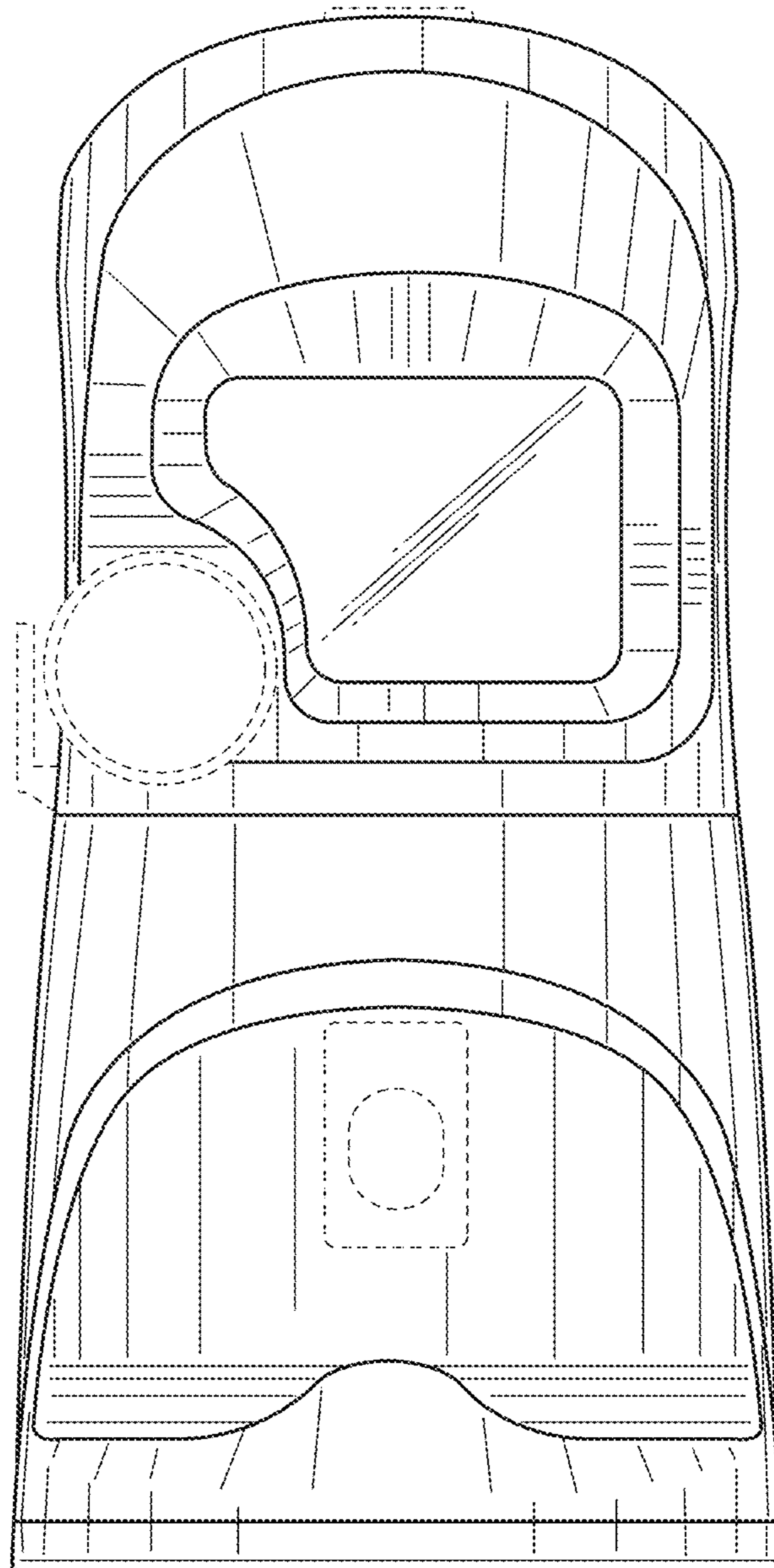


Fig.2

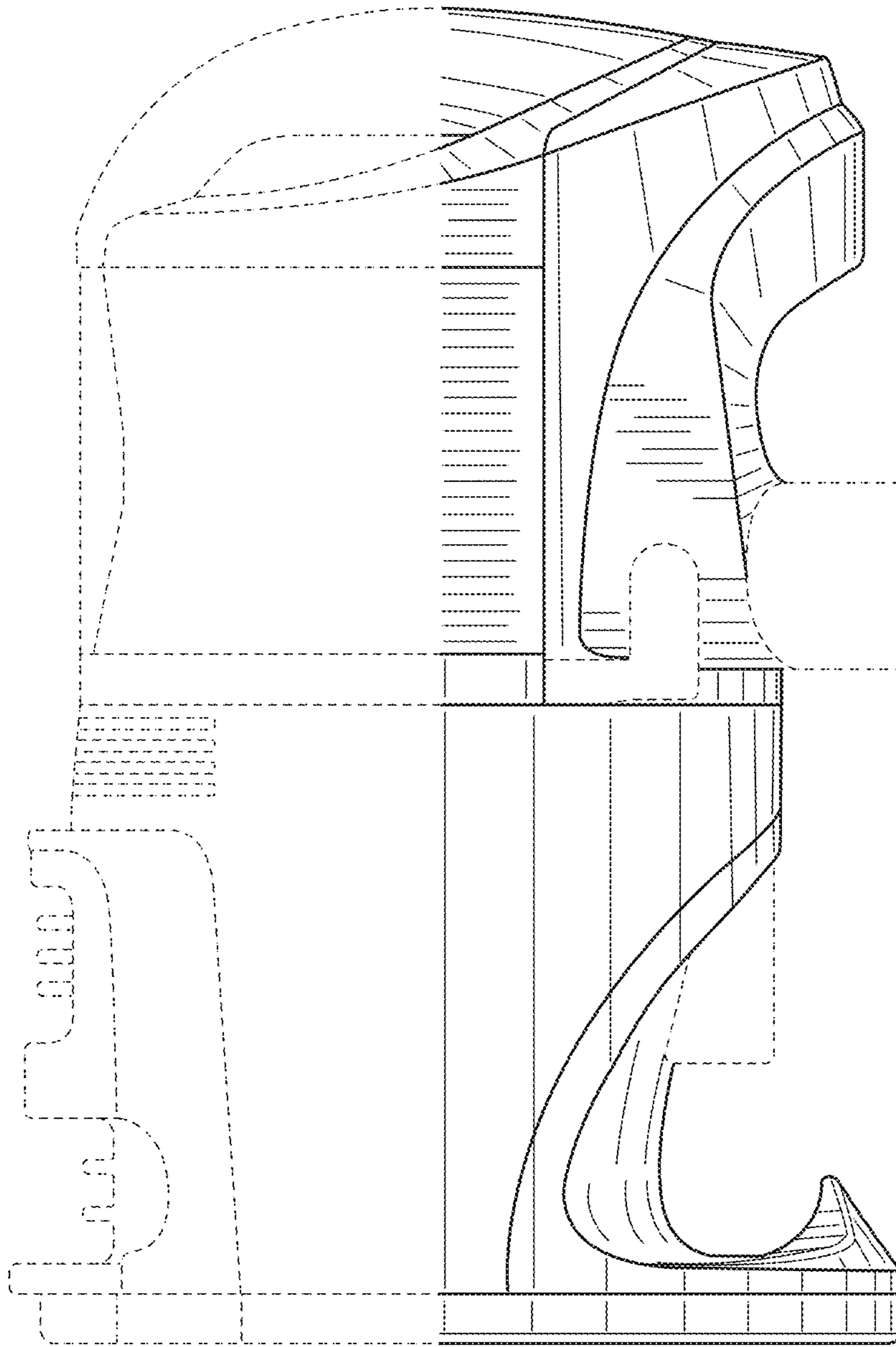


Fig.3



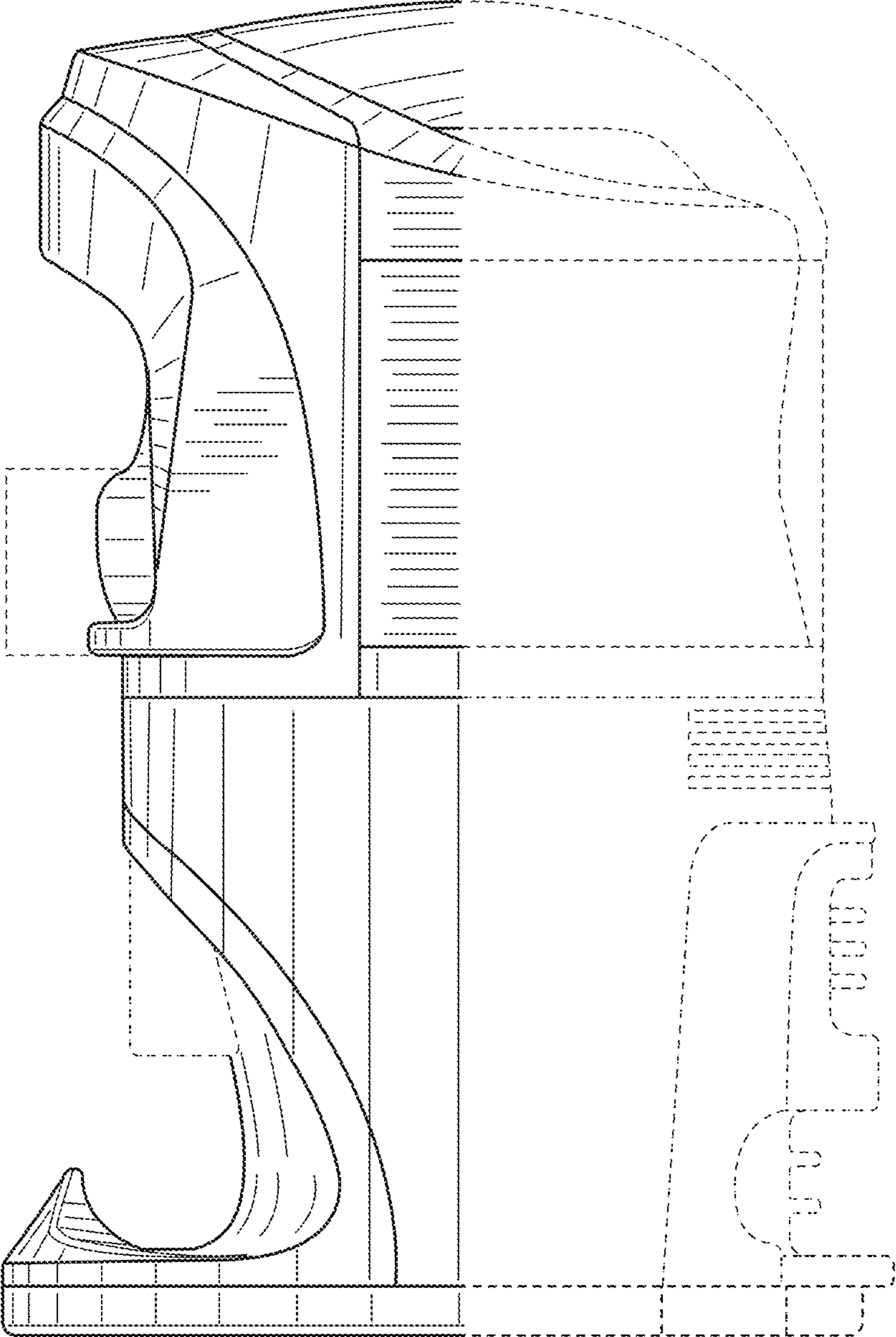


Fig.4

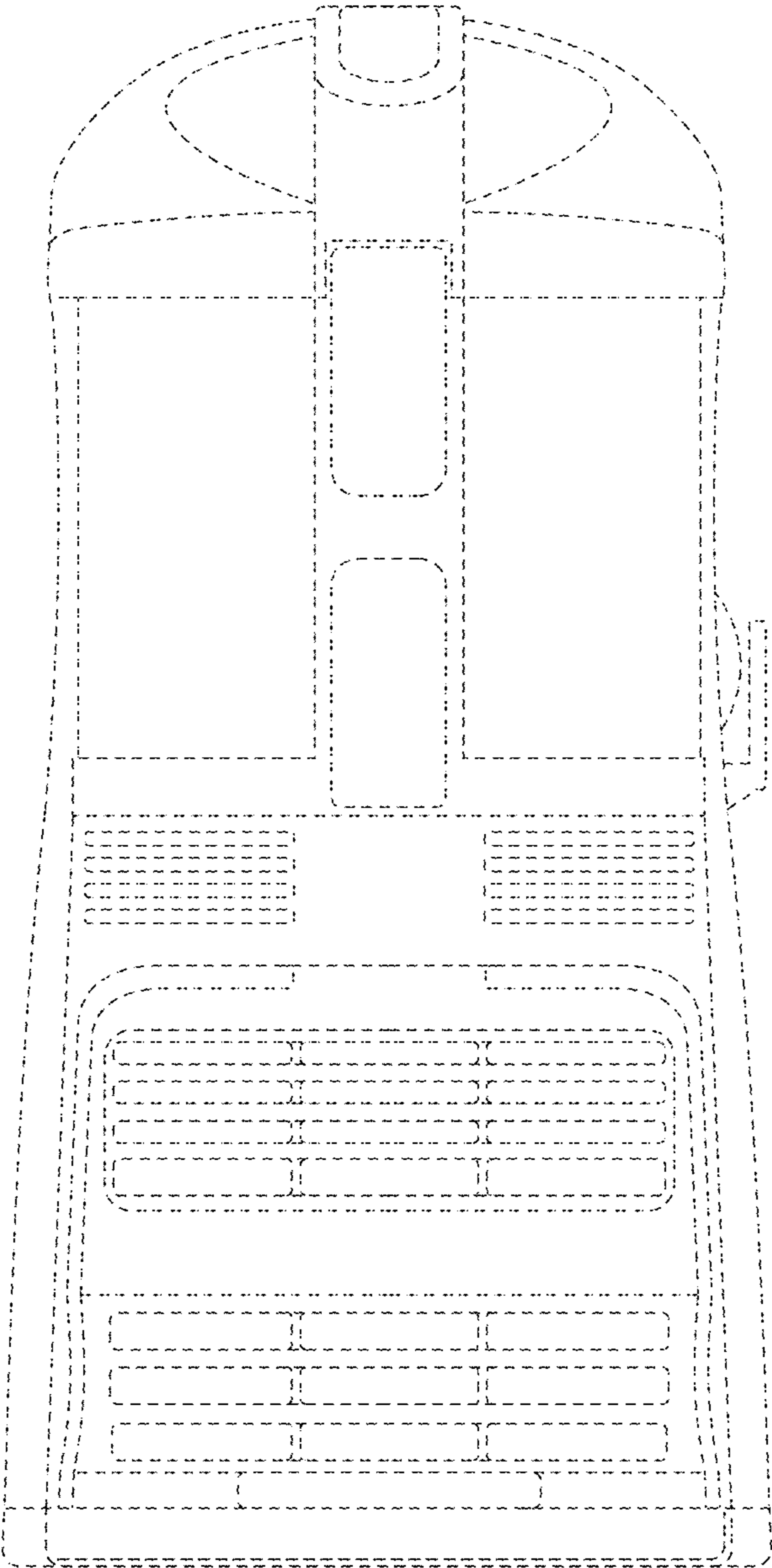


Fig.5

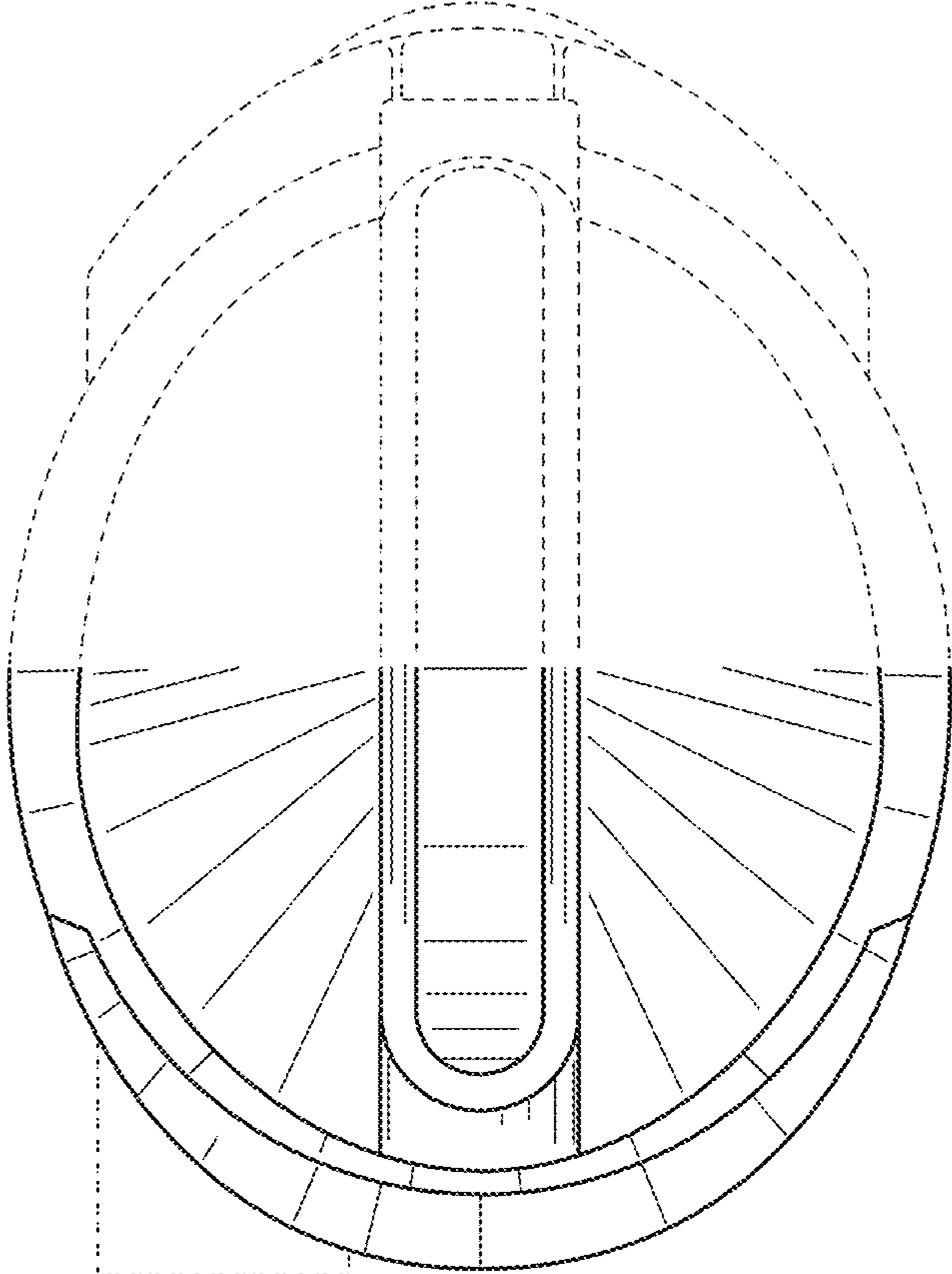


Fig.6

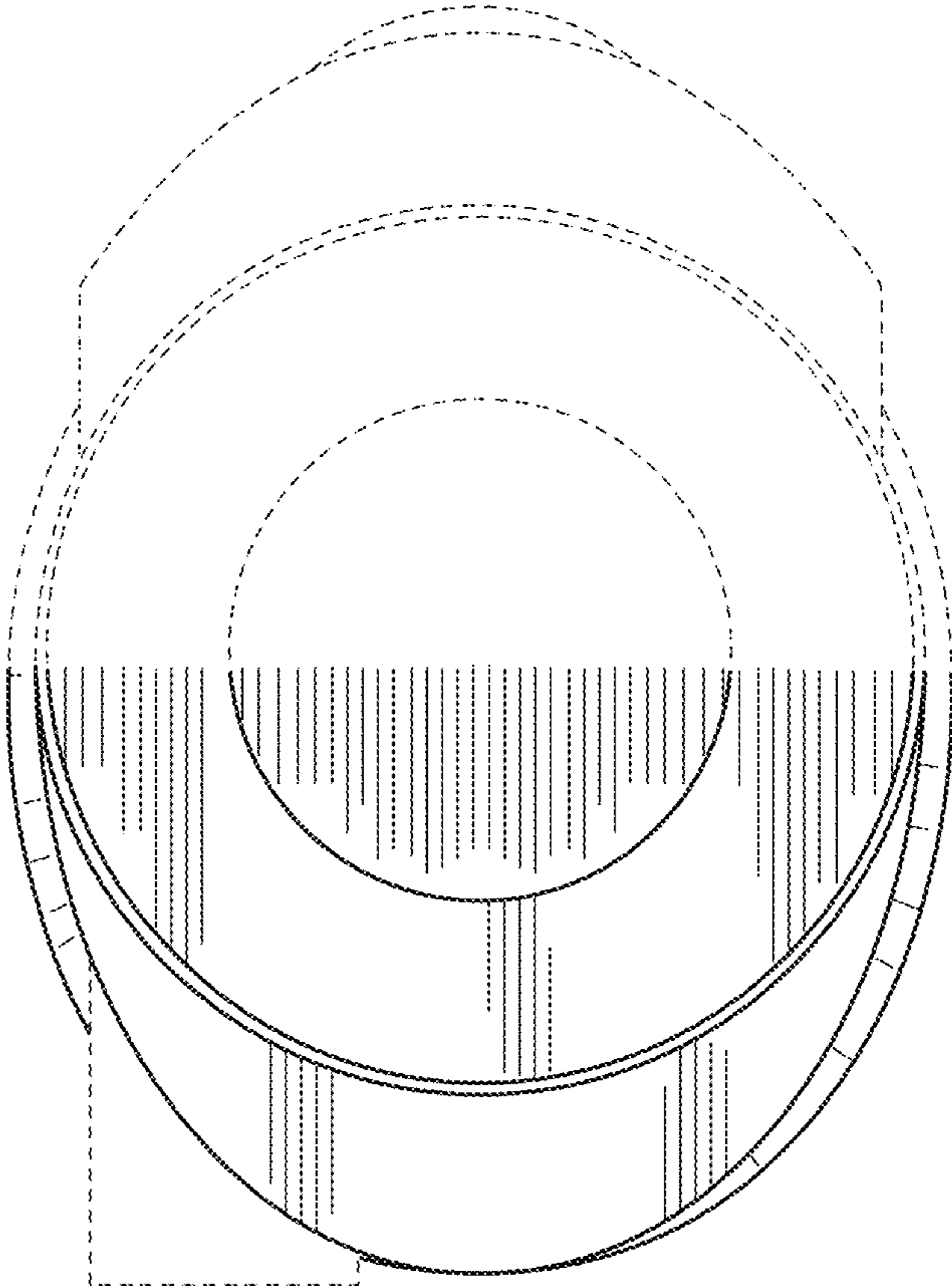


Fig.7