

US00D680283S

(12) **United States Design Patent**
Renault

(10) **Patent No.:** **US D680,283 S**

(45) **Date of Patent:** **** *Apr. 16, 2013**

(54) **VACUUM CLEANER**

(75) Inventor: **Fabrice Renault**, Chassieu (FR)

(73) Assignee: **Rowenta France**, Vernon (FR)

(*) Notice: This patent is subject to a terminal disclaimer.

(**) Term: **14 Years**

(21) Appl. No.: **29/394,563**

(22) Filed: **Jun. 17, 2011**

(30) **Foreign Application Priority Data**

Dec. 20, 2010 (EP) 001251128

(51) **LOC (9) Cl.** **15-05**

(52) **U.S. Cl.**
USPC **D32/21**

(58) **Field of Classification Search** D32/18,
D32/21, 23-24, 31; 15/319-321, 353, 347,
15/327.1-327.2, 327.4, 327.6-327.7, 329,
15/340.2; 55/DIG. 3, 375
See application file for complete search history.

(56) **References Cited**

U.S. PATENT DOCUMENTS

D394,528 S *	5/1998	Pochopien et al.	D32/21
D398,093 S *	9/1998	Fujima	D32/21
D417,323 S *	11/1999	Fujita et al.	D32/21
D488,598 S *	4/2004	Wakasa	D32/21
D491,703 S *	6/2004	Harada	D32/21

D495,455 S *	8/2004	Brown et al.	D32/21
D506,856 S *	6/2005	Schroter	D32/21
D530,469 S *	10/2006	Ikeno	D32/21
D563,614 S *	3/2008	Crevling et al.	D32/21
D617,963 S *	6/2010	Ayers	D32/21
D626,709 S *	11/2010	Fjellman	D32/21
2008/0256742 A1 *	10/2008	Bertram et al.	15/327.2

FOREIGN PATENT DOCUMENTS

EP	000049481-0001	5/2003
EP	000334396-0002	5/2005
EP	000714837-0001	5/2007
EP	00084349-0001	12/2007
EP	00984463-0002	8/2008
EP	001144976-0001	6/2009

* cited by examiner

Primary Examiner — Ruth McInroy

(74) *Attorney, Agent, or Firm* — Loeb & Loeb LLP

(57) **CLAIM**

The ornamental design for vacuum cleaner, as shown and described.

DESCRIPTION

FIG. 1 is a perspective view of a vacuum cleaner showing my new design;

FIG. 2 is a right side elevation view thereof;

FIG. 3 is a left side elevational view thereof;

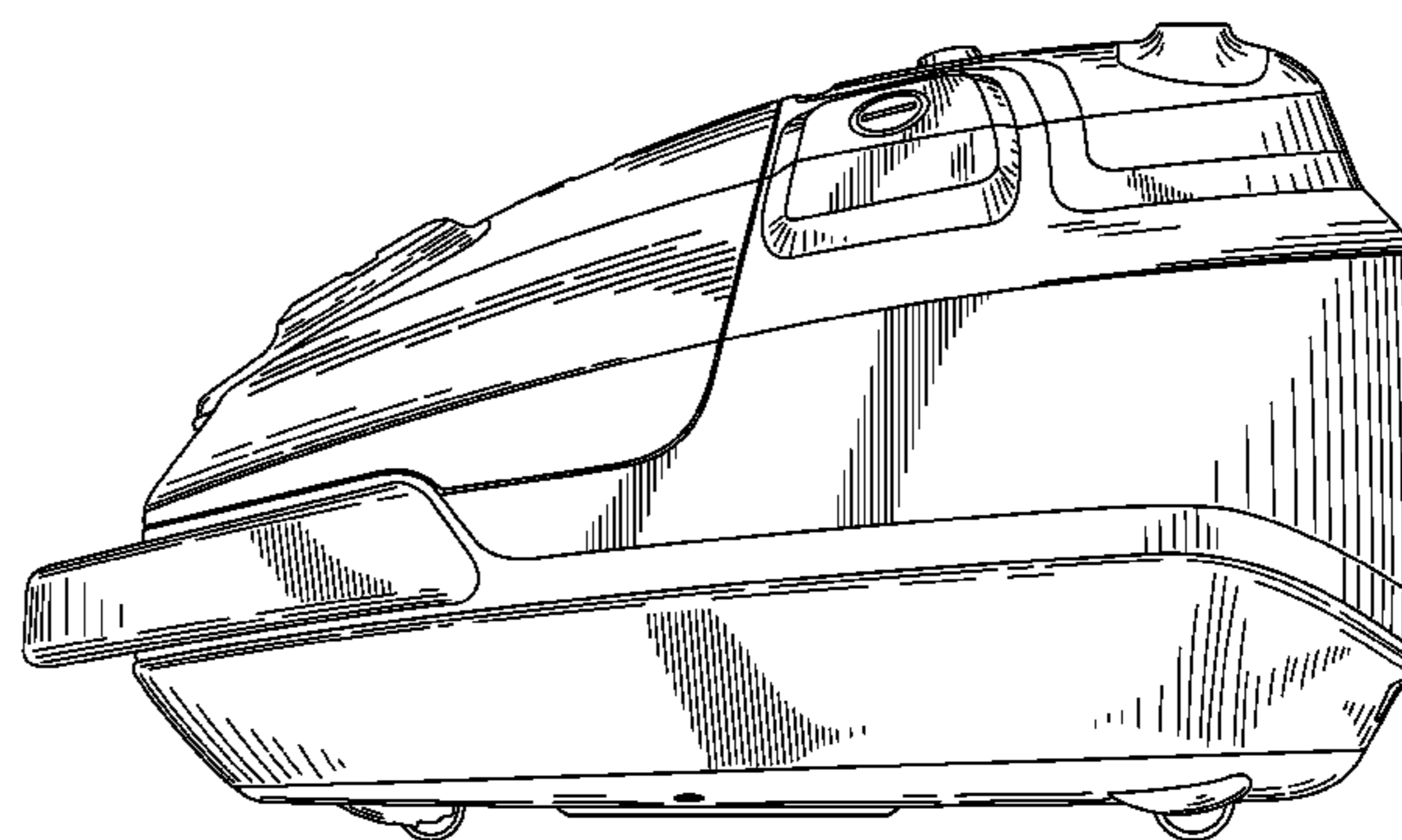
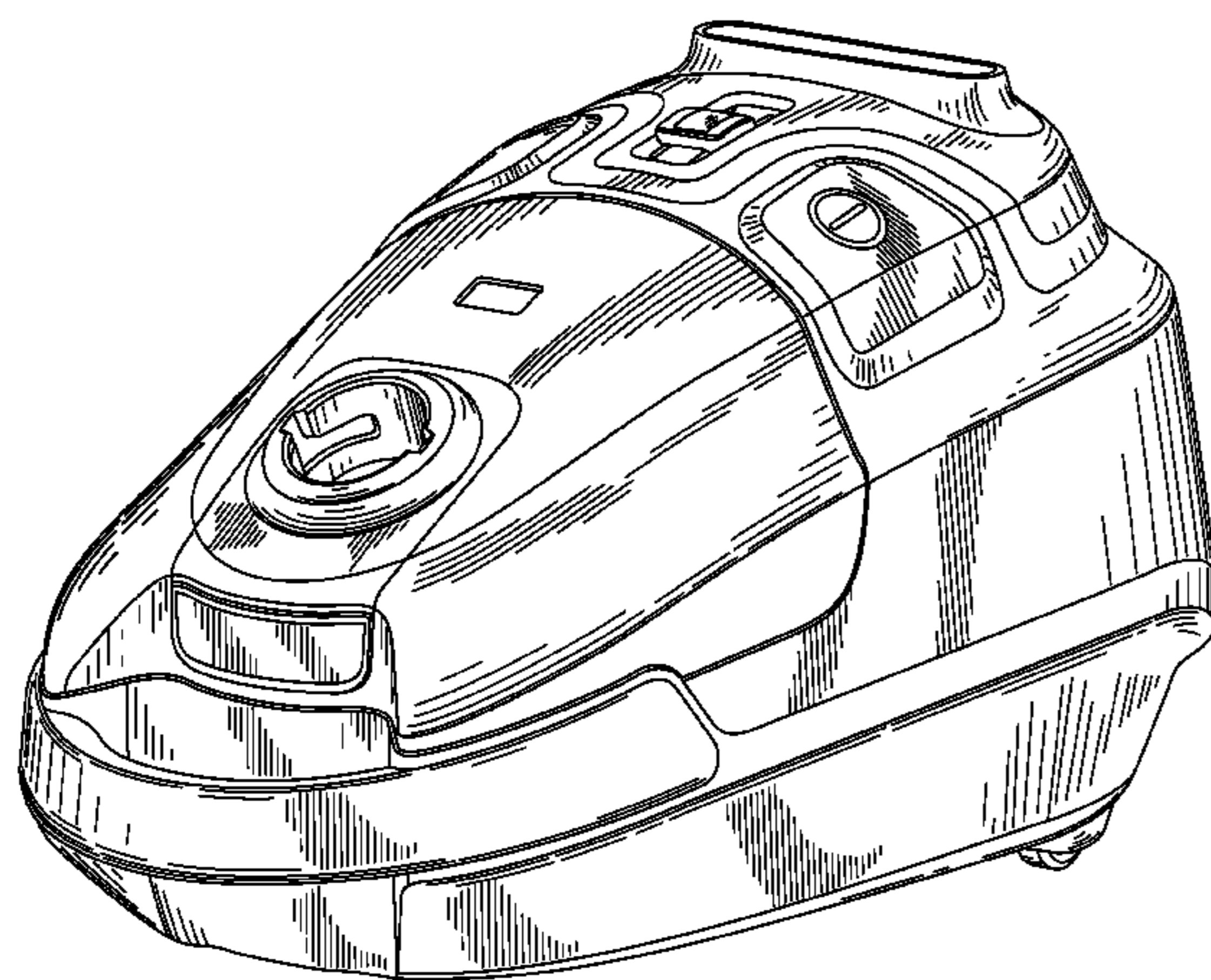
FIG. 4 is a front elevational view thereof;

FIG. 5 is a rear elevational view thereof;

FIG. 6 is a top plan view thereof; and,

FIG. 7 is a bottom plan view thereof.

1 Claim, 7 Drawing Sheets



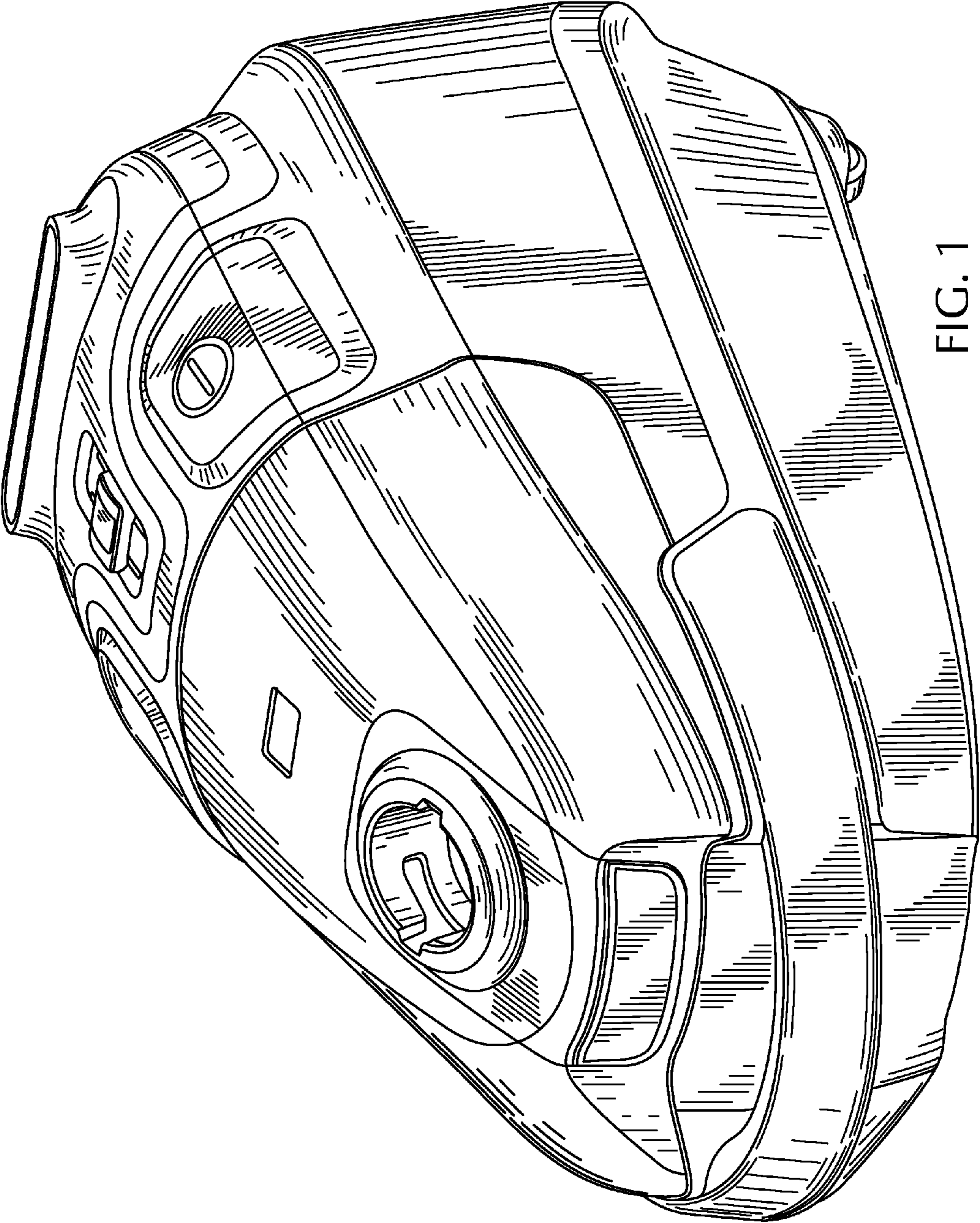


FIG. 1

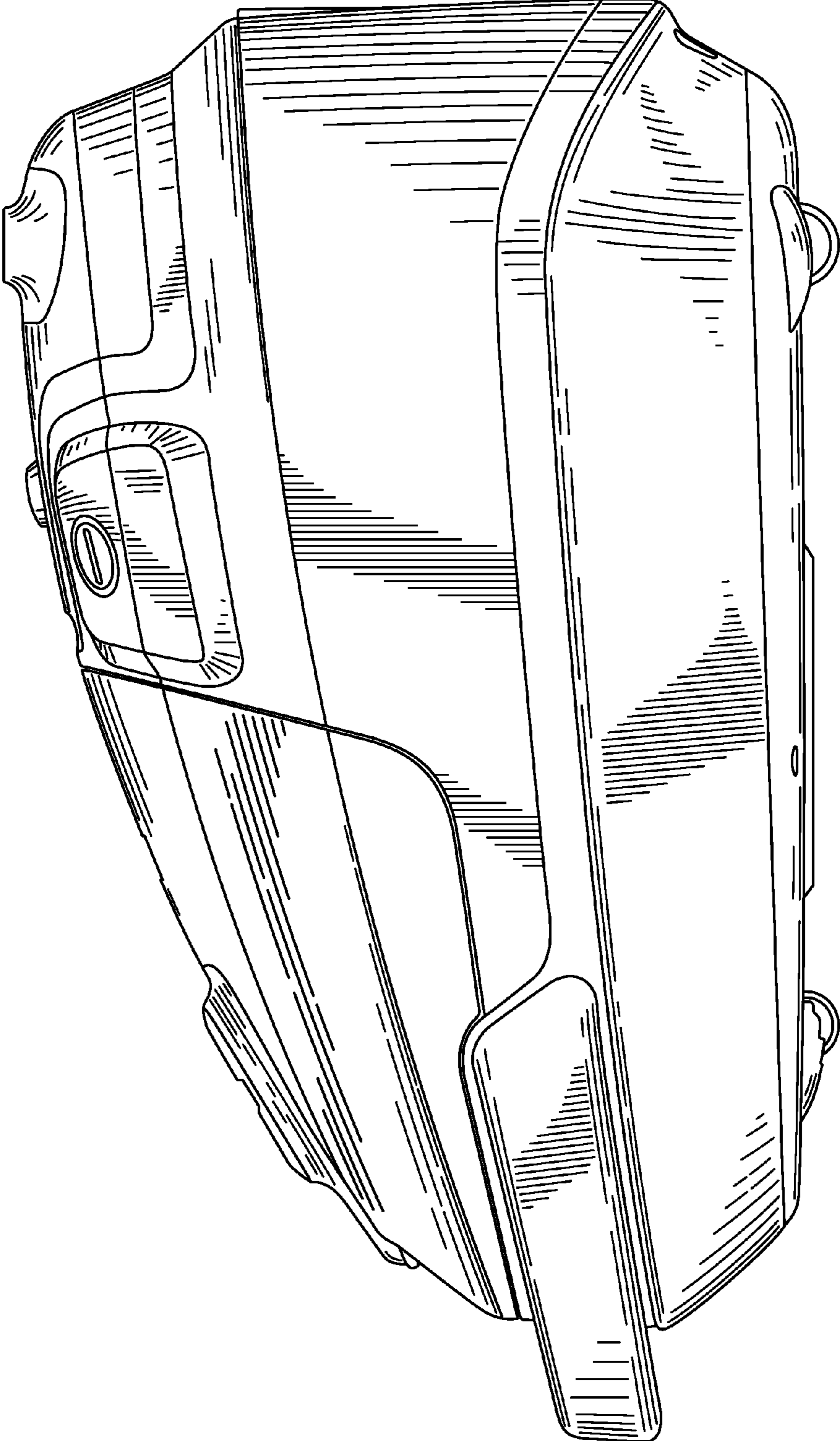


FIG. 2

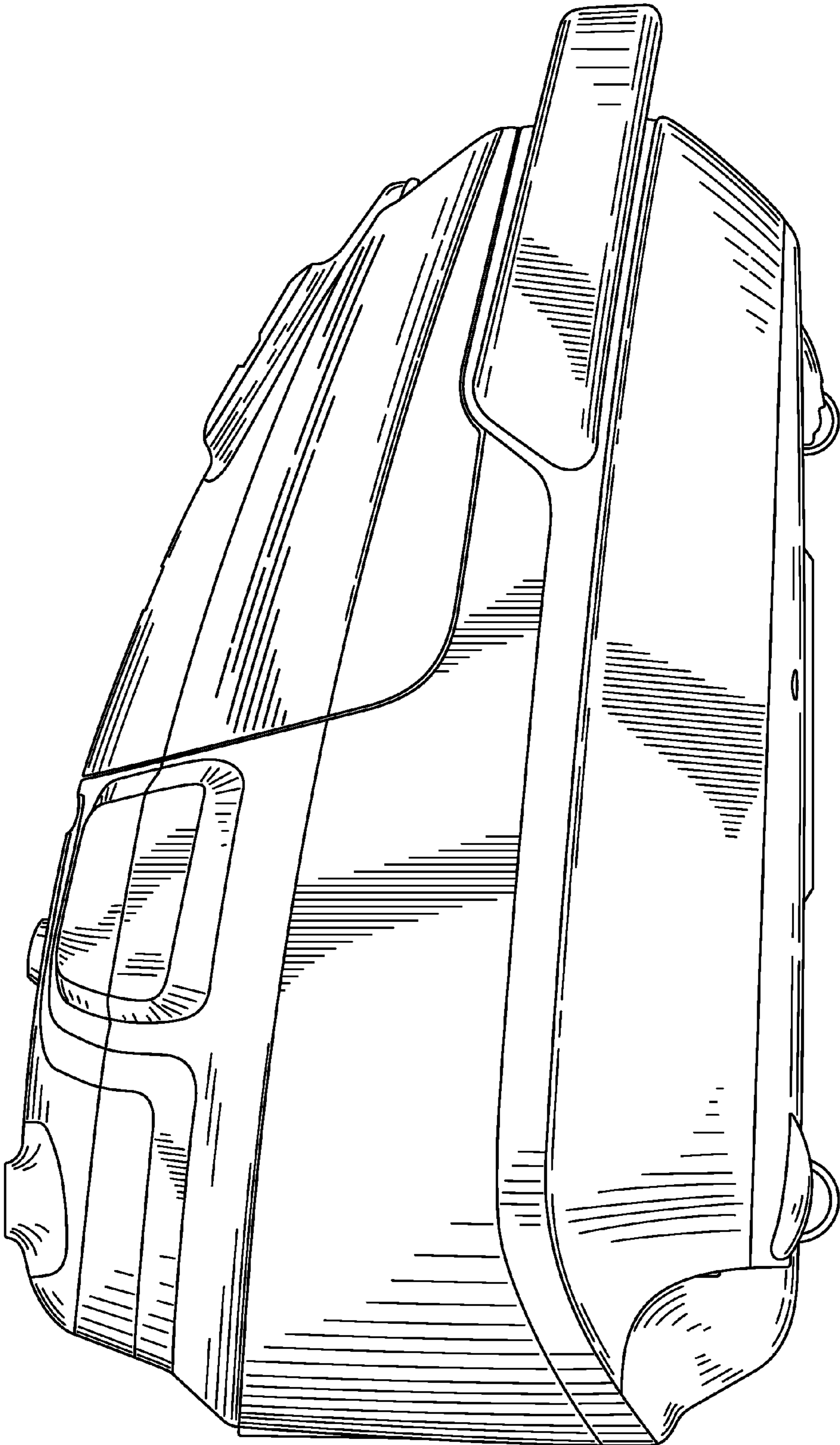


FIG. 3

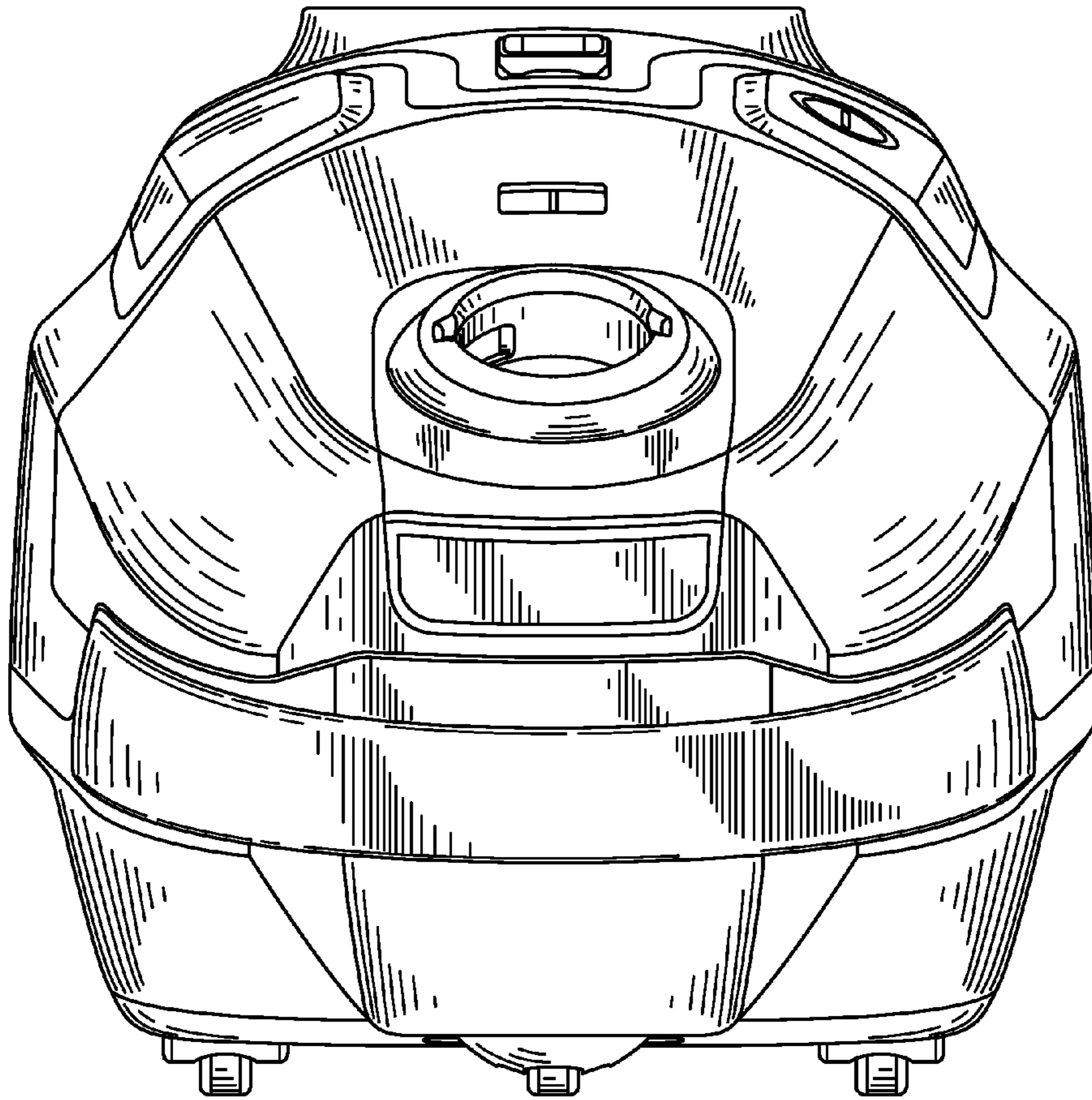


FIG. 4

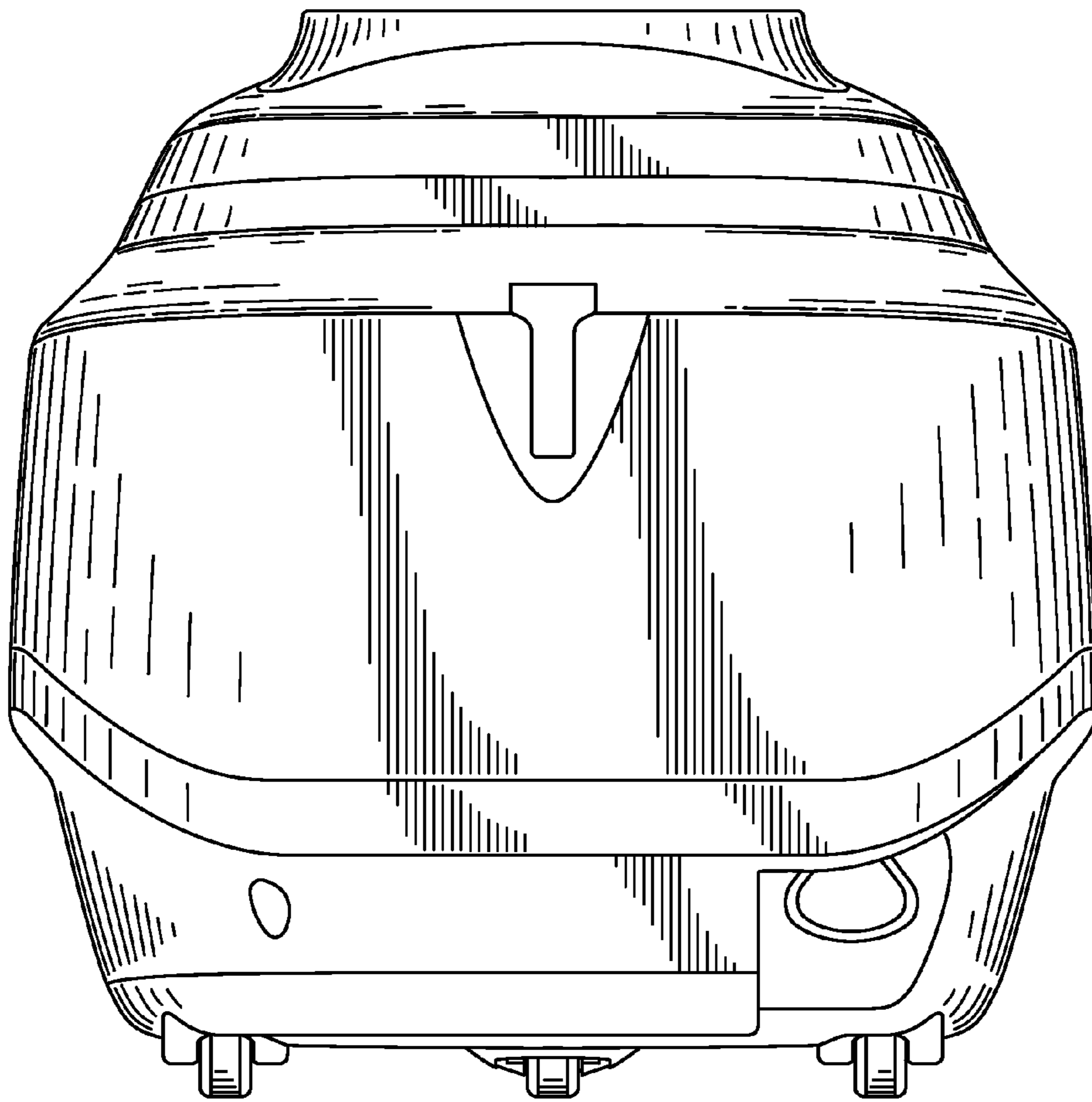


FIG. 5

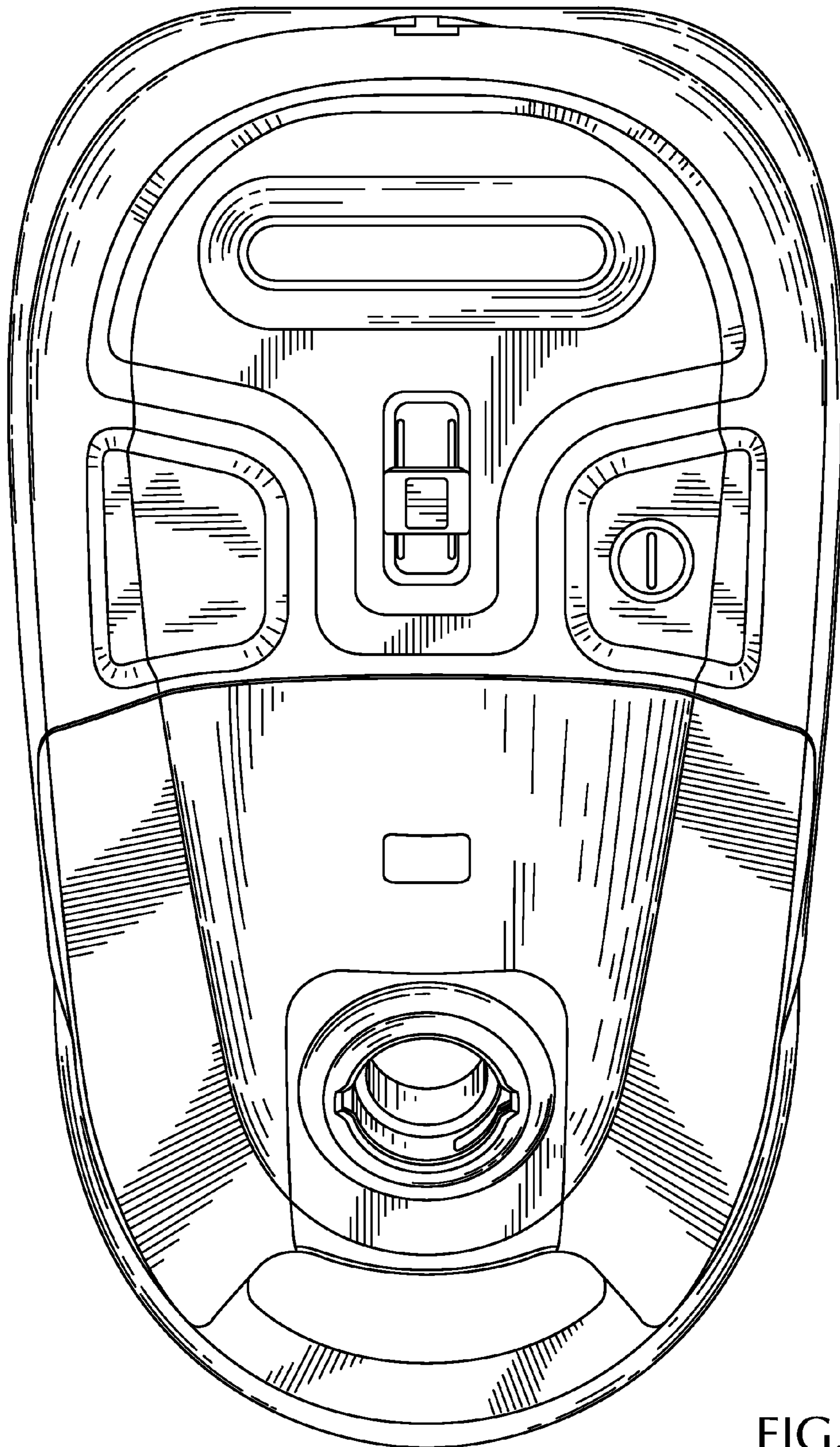


FIG. 6

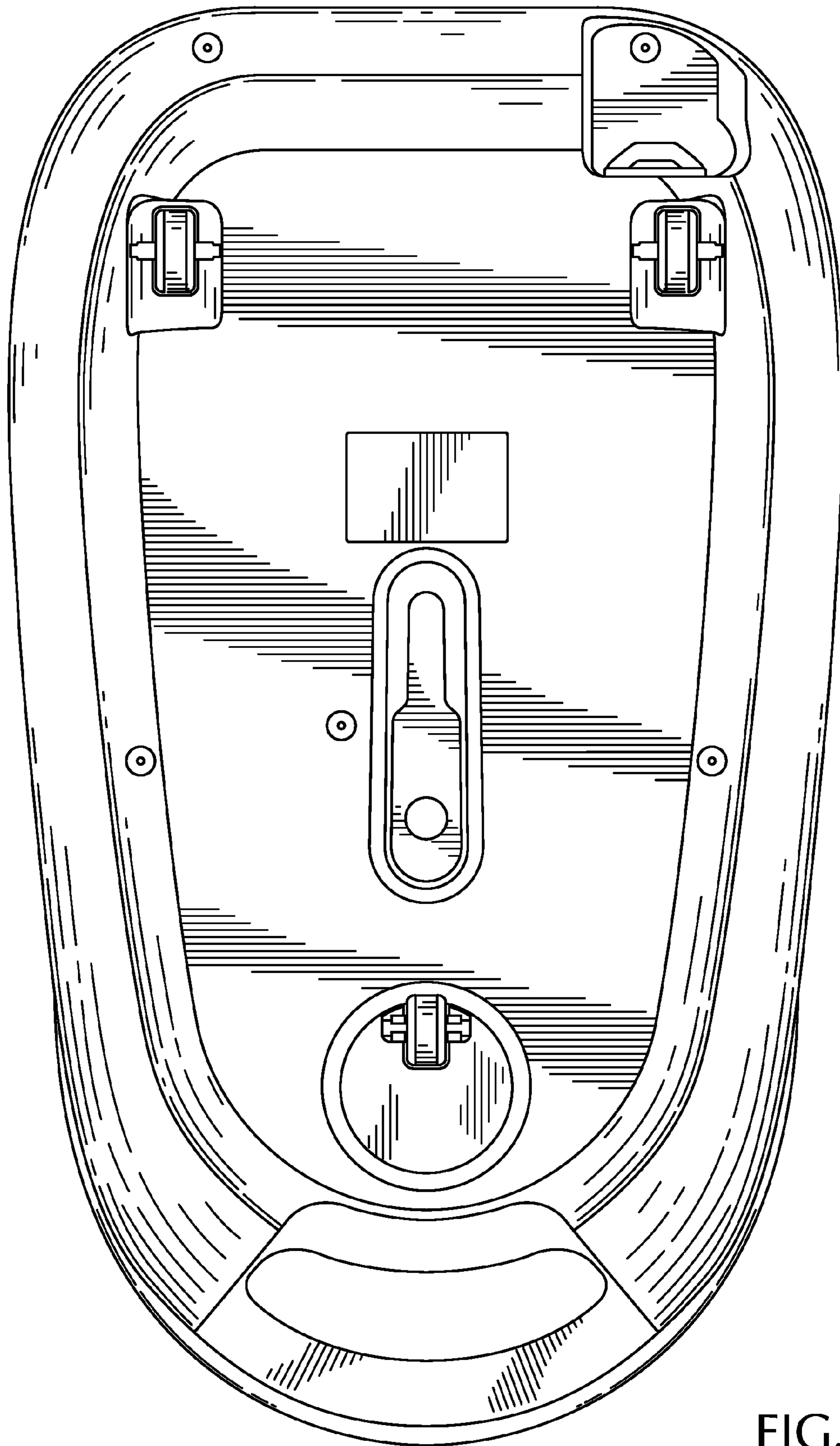


FIG. 7