



US00D680282S

(12) **United States Design Patent**
Daciw

(10) **Patent No.:** **US D680,282 S**

(45) **Date of Patent:** **** Apr. 16, 2013**

(54) **PLUNGER CUP**

(71) Applicant: **Michael J. Daciw**, Aston, PA (US)

(72) Inventor: **Michael J. Daciw**, Aston, PA (US)

(73) Assignee: **Brasscraft Manufacturing Company**,
Novi, MI (US)

(**) Term: **14 Years**

(21) Appl. No.: **29/434,592**

(22) Filed: **Oct. 15, 2012**

(51) **LOC (9) Cl.** **15-05**

(52) **U.S. Cl.**
USPC **D32/14**

(58) **Field of Classification Search** D32/14,
D32/35; 4/255.01, 255.05, 255.08, 255.11;
15/104.04, 104.05; 134/166 C, 167 C, 168 C,
134/168 R; D6/524

See application file for complete search history.

(56) **References Cited**

U.S. PATENT DOCUMENTS

D292,631	S	*	11/1987	Tash	D32/14
D508,151	S	*	8/2005	Hay	D32/14
D613,468	S	*	4/2010	Kosasih et al.	D32/14
8,307,468	B2	*	11/2012	Stein	4/255.11

* cited by examiner

Primary Examiner — Brian N. Vinson

(74) *Attorney, Agent, or Firm* — Edgar A. Zarins; Nirav D. Parikh; Lora J. Graentzdoerffer

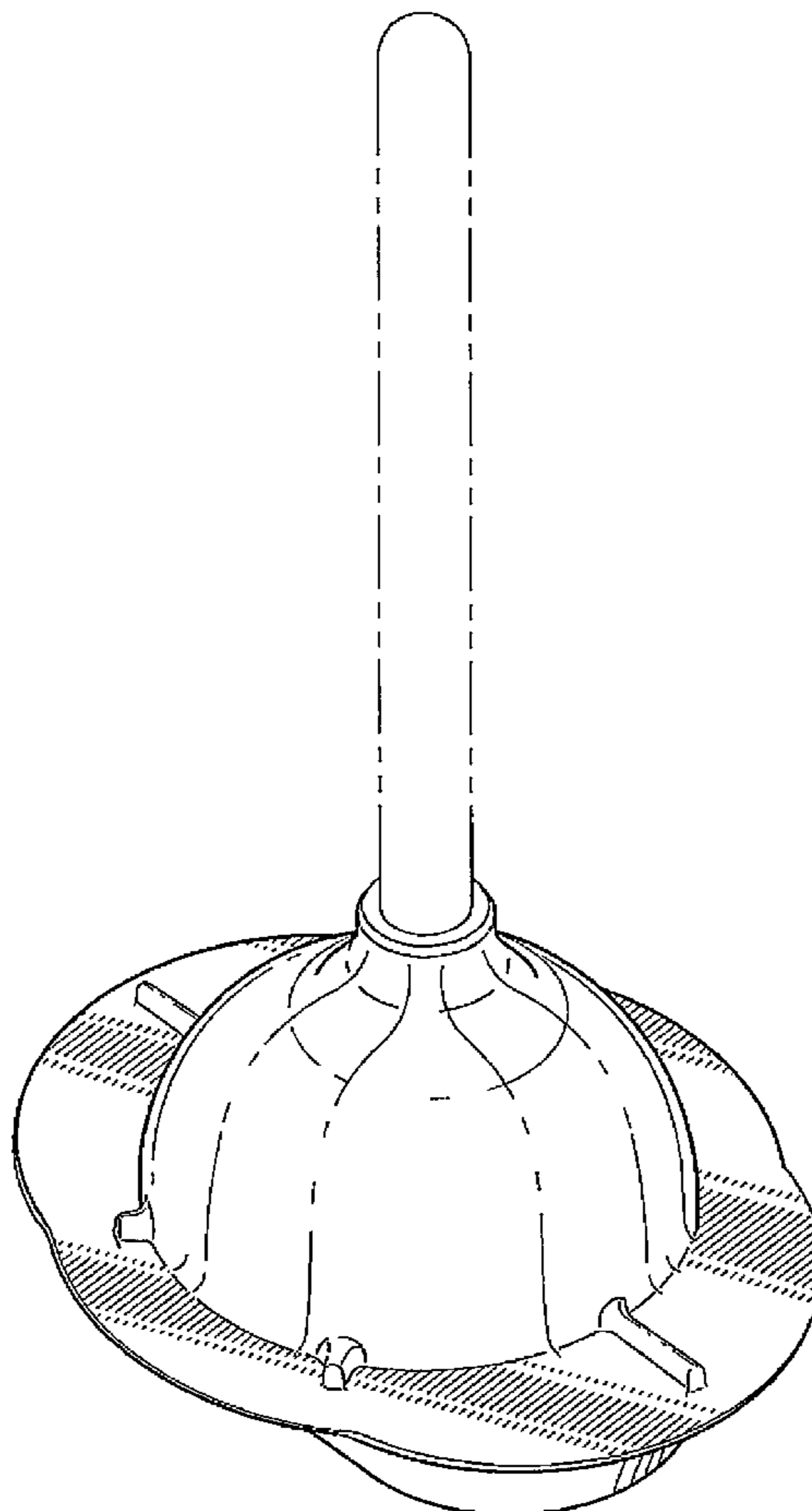
(57) **CLAIM**

The ornamental design for a plunger cup, as shown and described.

DESCRIPTION

FIG. 1 is a perspective view of a plunger cup showing my new design;
FIG. 2 is a top plan view thereof;
FIG. 3 is a bottom view thereof;
FIG. 4 is a first side view thereof, the opposite side being a mirror image of the side shown; and,
FIG. 5 is a first end view thereof, the opposite end being a mirror image of the end shown.

1 Claim, 3 Drawing Sheets



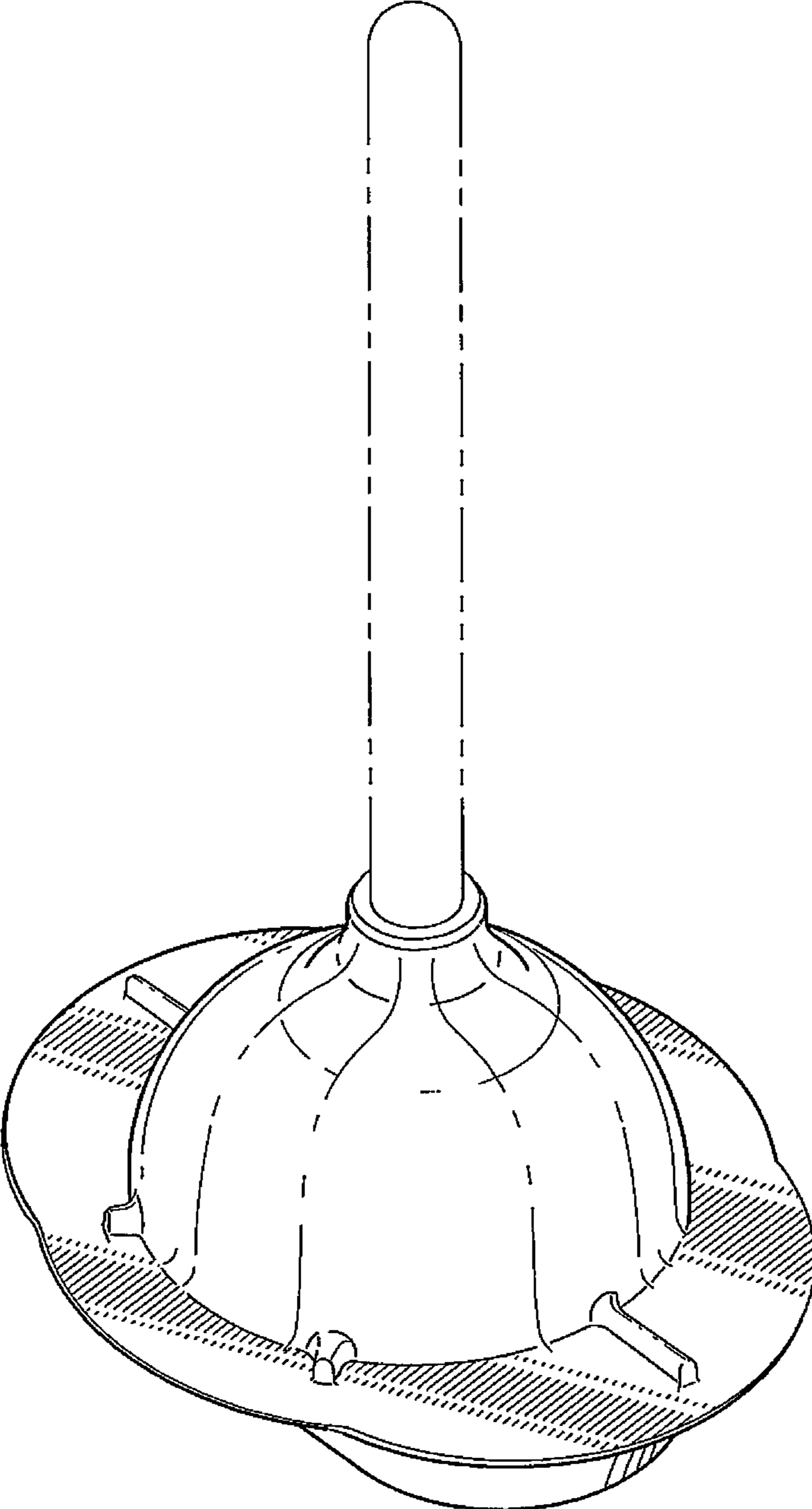


Fig-1

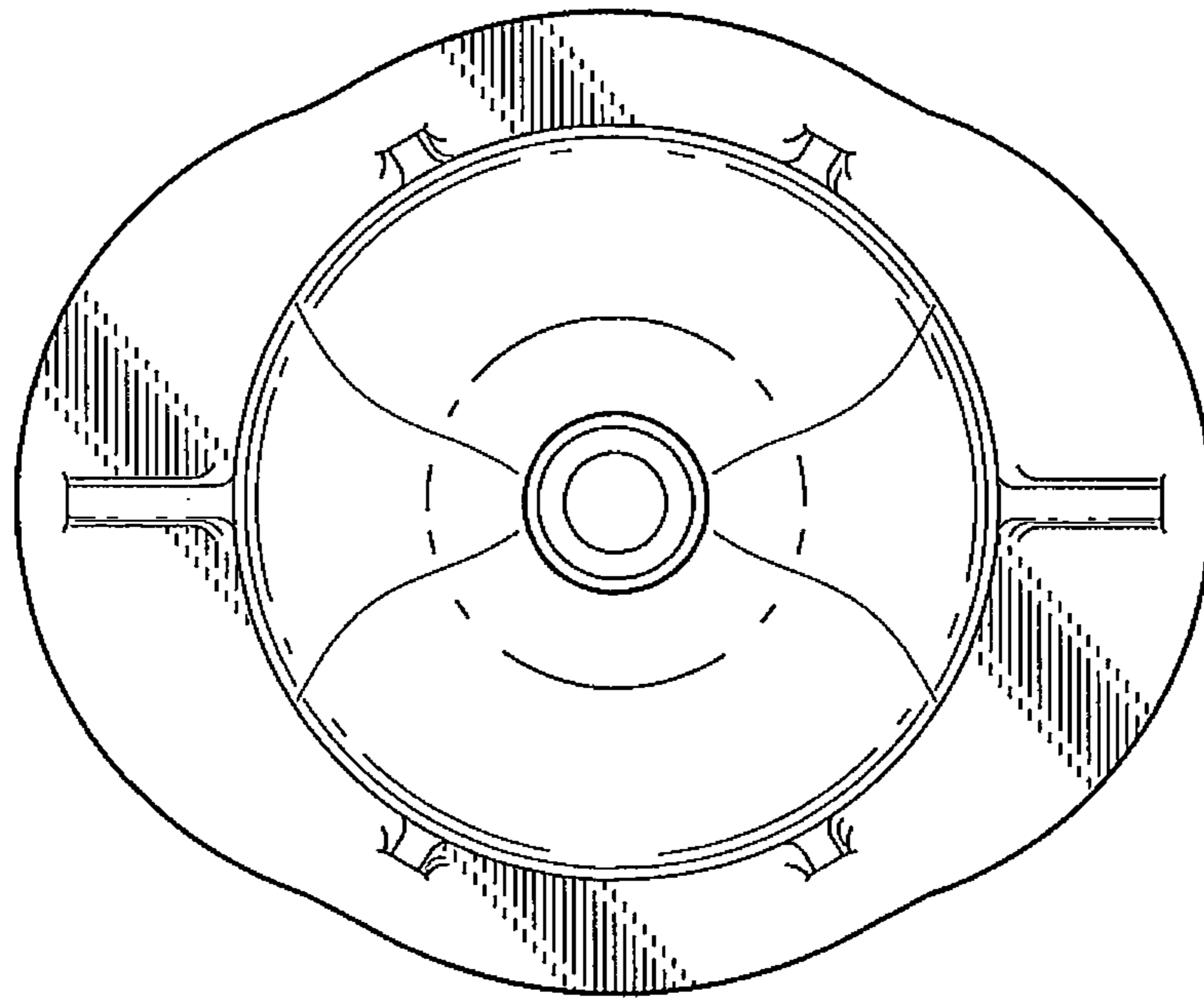


Fig-2

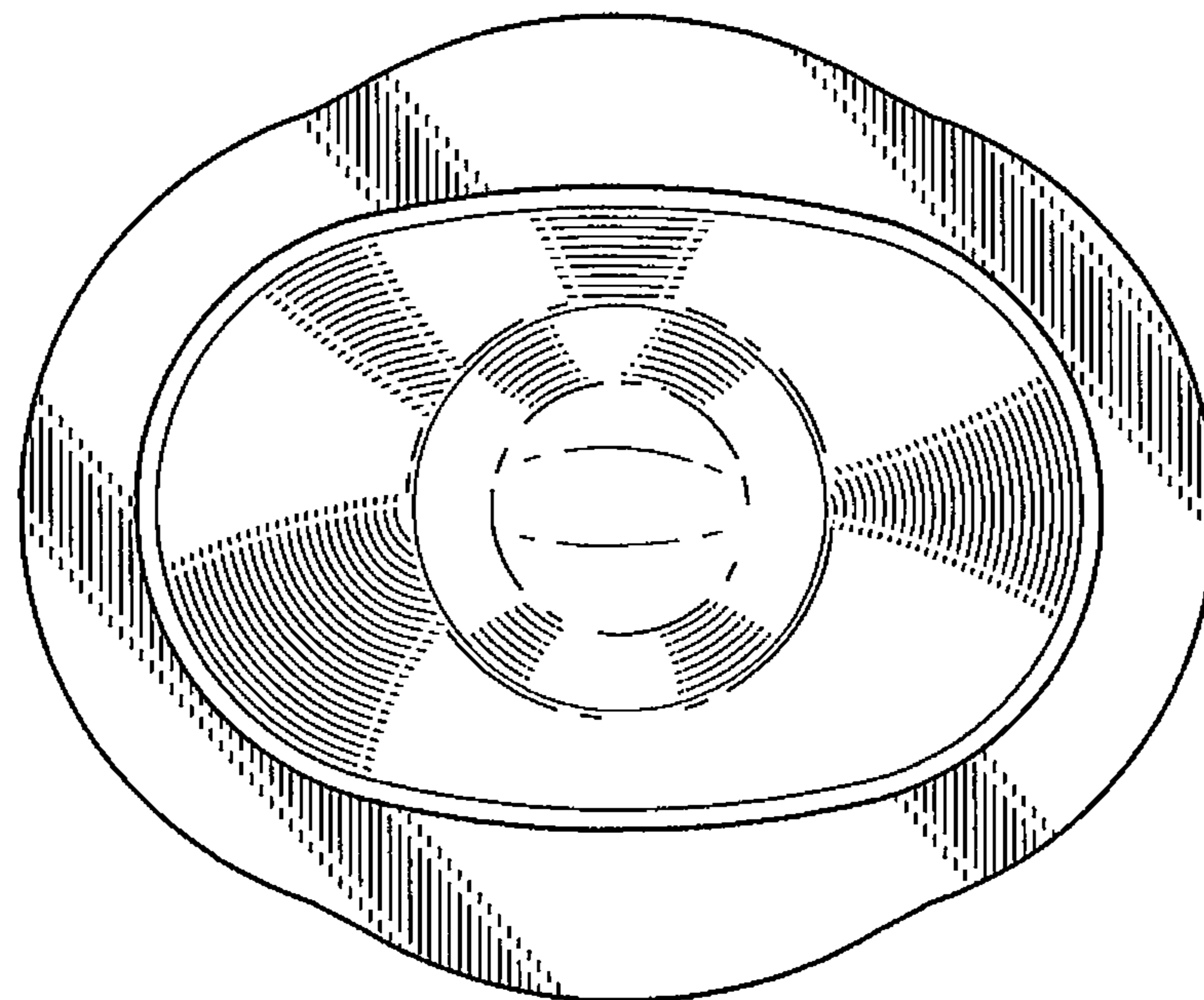


Fig-3

