



US00D680281S

(12) **United States Design Patent**  
**Qin et al.**

(10) **Patent No.:** **US D680,281 S**  
(45) **Date of Patent:** **\*\* Apr. 16, 2013**

(54) **WASHING MACHINE**

(75) Inventors: **Xu Song Qin**, ShanDong (CN); **Jin Kai Wang**, ShanDong (CN); **Dong Xuan Wang**, ShanDong (CN)

(73) Assignees: **Haier Group Corporation**, Shandong (CN); **Qingdao Haier Drum Washing Machine Co., Ltd.**, Shandong (CN)

(\*\*) Term: **14 Years**

(21) Appl. No.: **29/430,215**

(22) Filed: **Aug. 22, 2012**

(30) **Foreign Application Priority Data**

Jul. 11, 2012 (CN) ..... 2012 3 0308038

(51) **LOC (9) Cl.** ..... **15-05**

(52) **U.S. Cl.**  
USPC ..... **D32/6**

(58) **Field of Classification Search** ..... D32/1,  
D32/5, 6, 8, 10; 68/3 R, 4, 5 R, 12.01, 12.07,  
68/12.08, 212; 34/87-88, 523-524  
See application file for complete search history.

(56) **References Cited**

U.S. PATENT DOCUMENTS

D517,255 S \* 3/2006 Kim et al. .... D32/5  
D549,897 S \* 8/2007 Suh ..... D32/6

D549,899 S \* 8/2007 Suh ..... D32/6  
D549,902 S \* 8/2007 Suh ..... D32/8  
D570,059 S \* 5/2008 Jeon et al. .... D32/6  
D616,162 S \* 5/2010 Park et al. .... D32/6  
D628,755 S \* 12/2010 Helot et al. .... D32/5  
D631,622 S \* 1/2011 Chung et al. .... D32/6  
7,926,309 B2 \* 4/2011 Kim et al. .... 68/3 R

\* cited by examiner

*Primary Examiner* — T. Chase Nelson

*Assistant Examiner* — Kathleen M Sims

(74) *Attorney, Agent, or Firm* — Guice Patents PLLC

(57) **CLAIM**

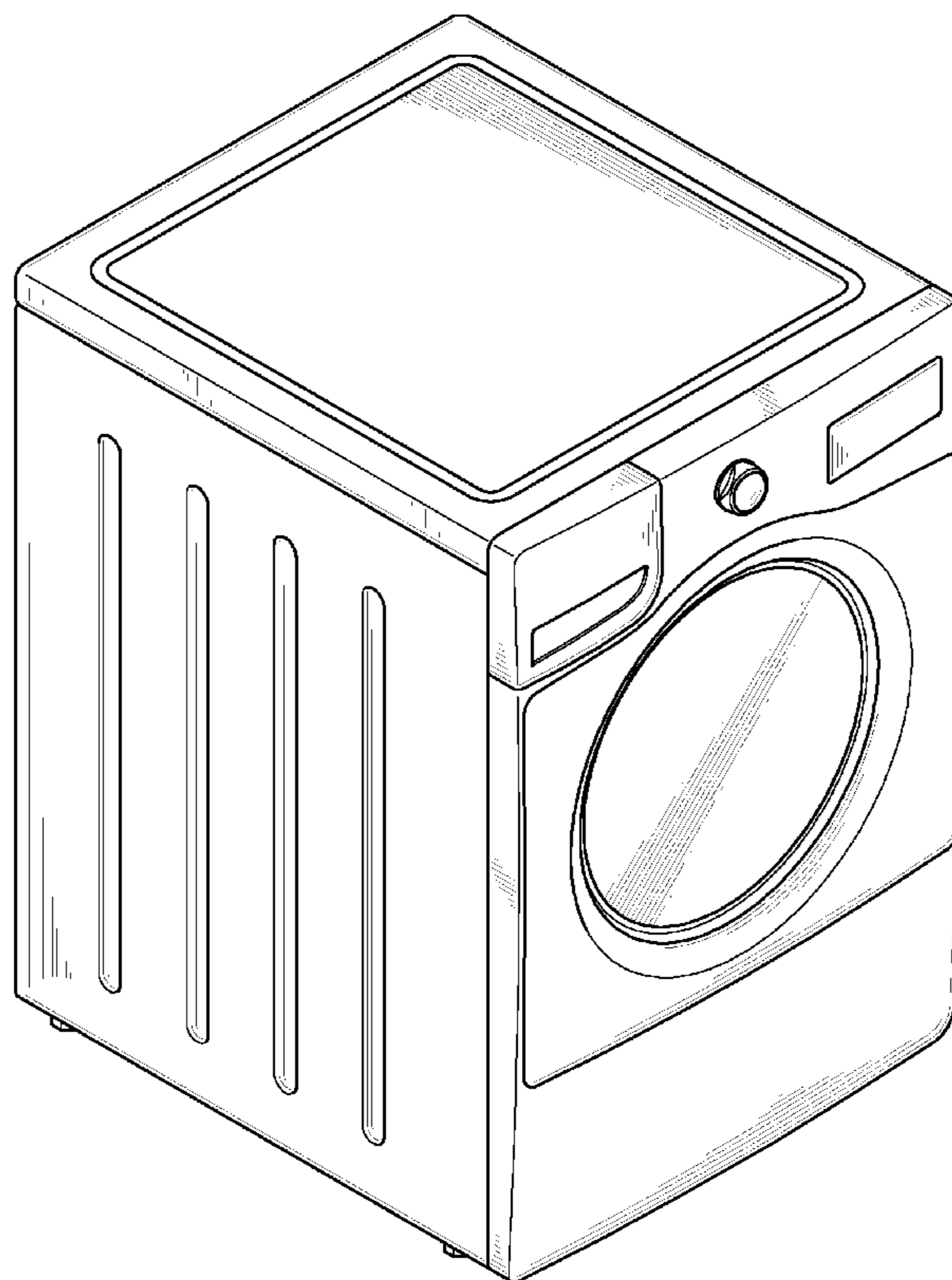
The ornamental design for a washing machine, as shown and described.

**DESCRIPTION**

FIG. 1 is a perspective view of a washing machine showing our new design;  
FIG. 2 is a front view thereof;  
FIG. 3 is a rear view thereof;  
FIG. 4 is a left side view thereof;  
FIG. 5 is a right side view thereof;  
FIG. 6 is a top plan view thereof; and,  
FIG. 7 is a bottom view thereof.

The broken line showing of details in FIGS. 3-7 is included for the purpose of illustrating environmental portions of the washing machine and forms no part of the claimed design.

**1 Claim, 7 Drawing Sheets**



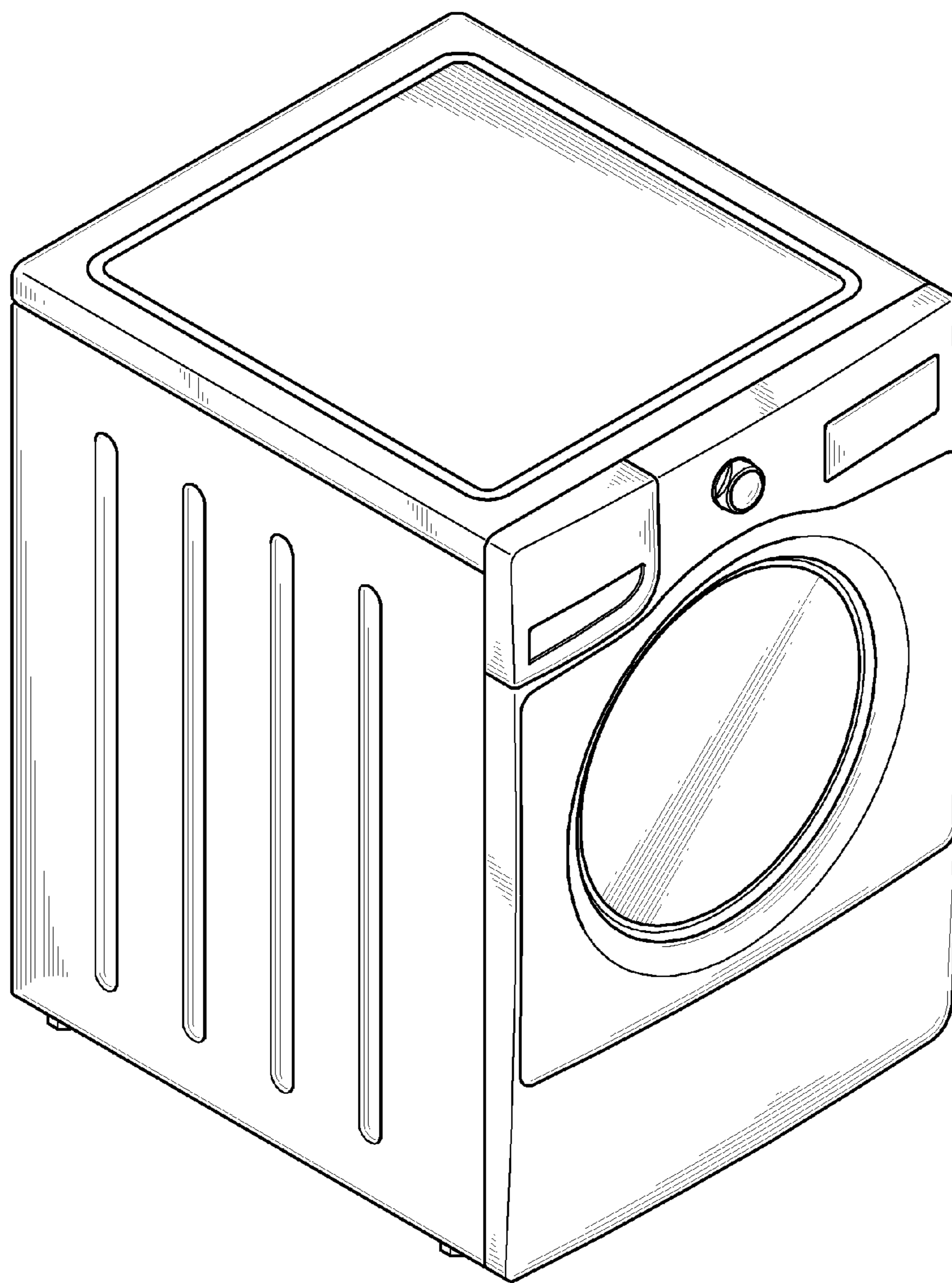


FIG. 1

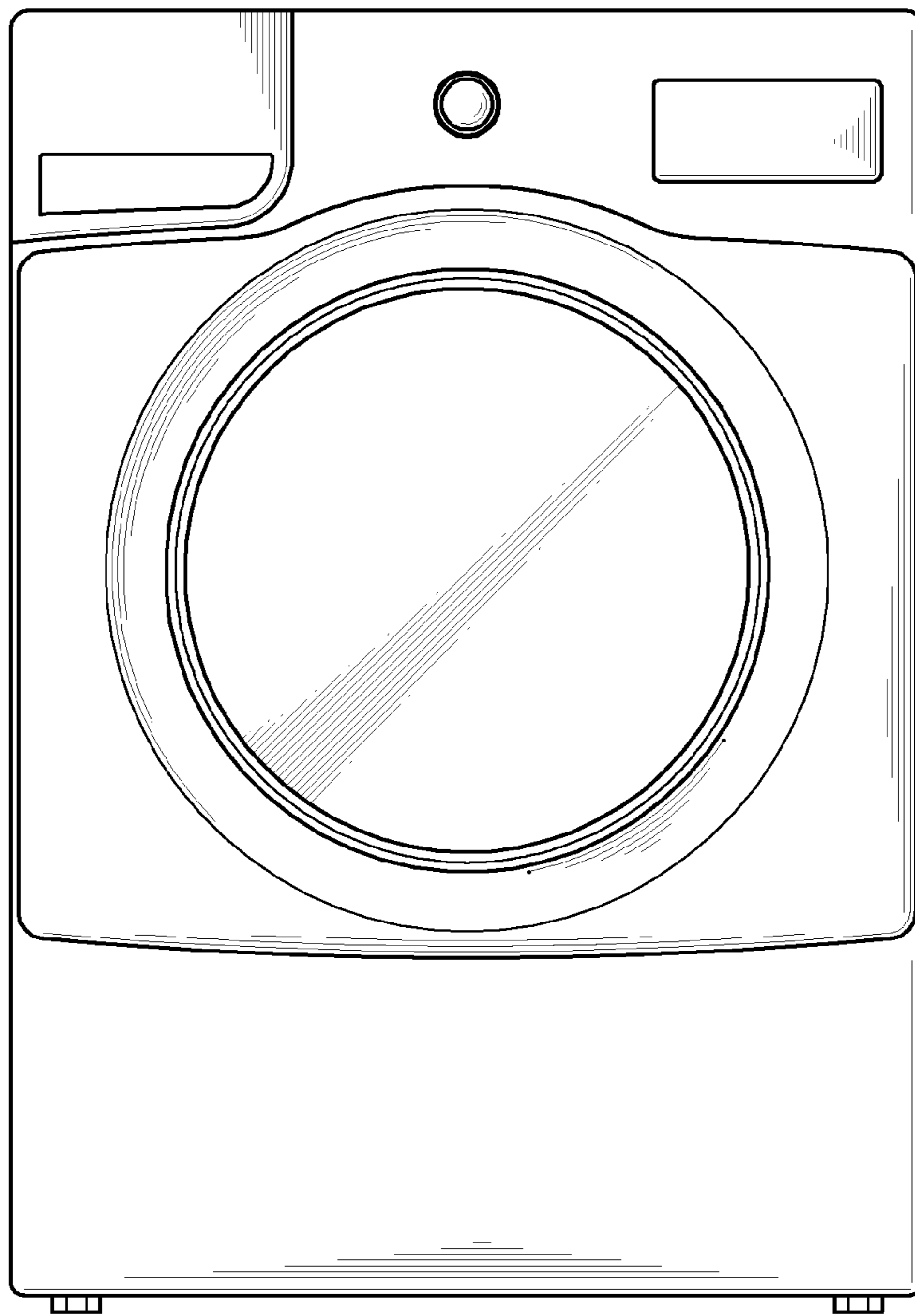


FIG.2

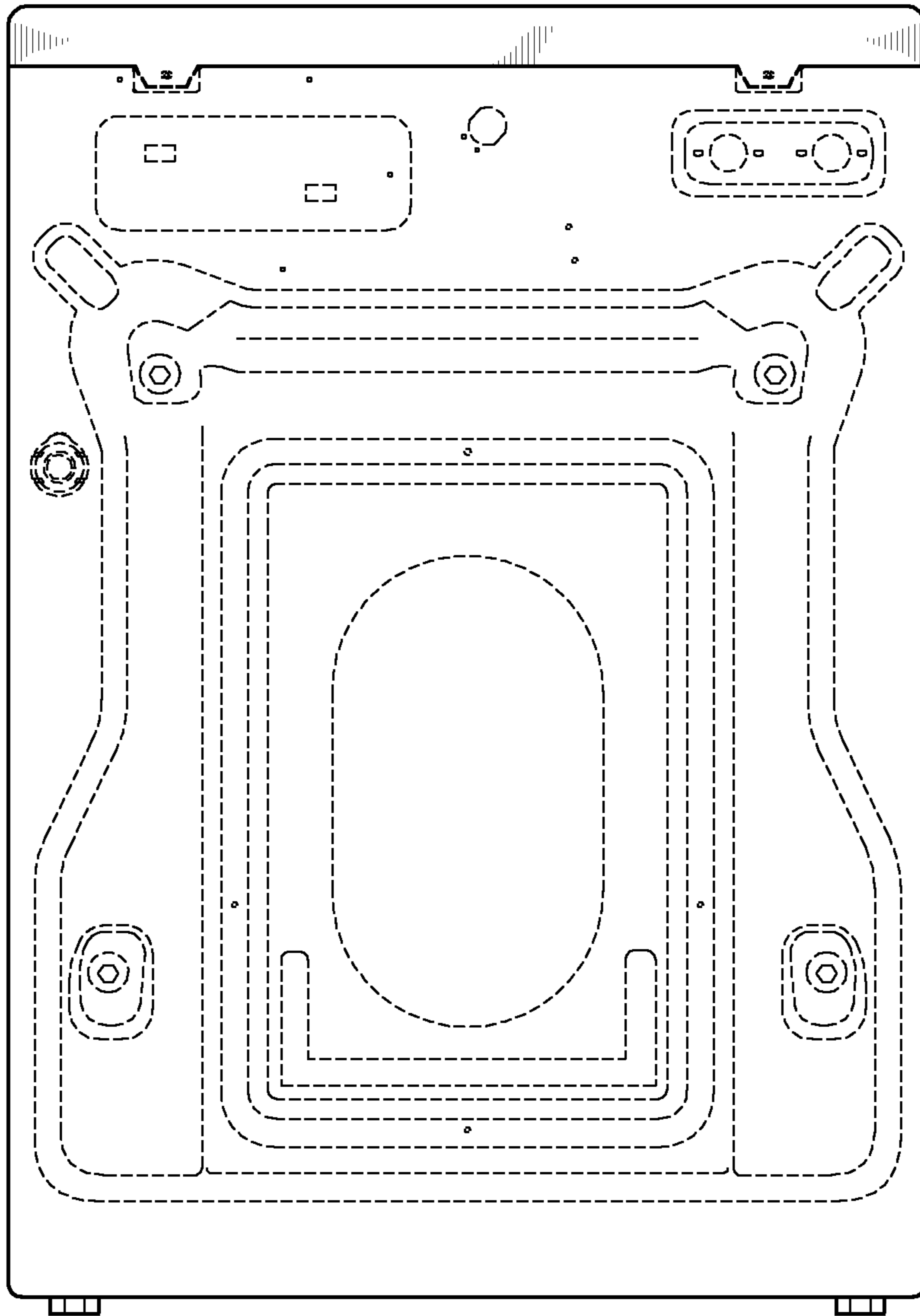


FIG.3

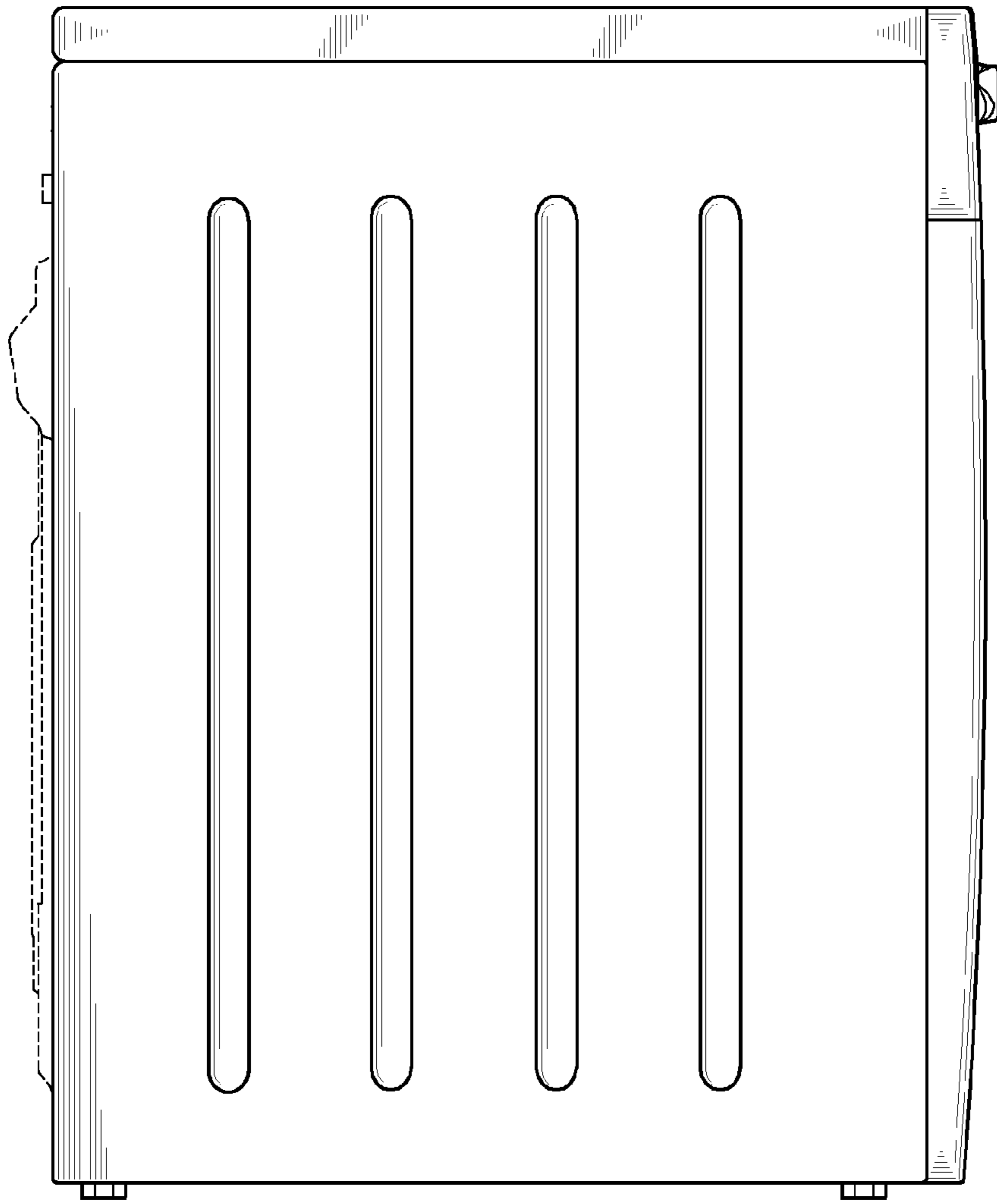


FIG. 4

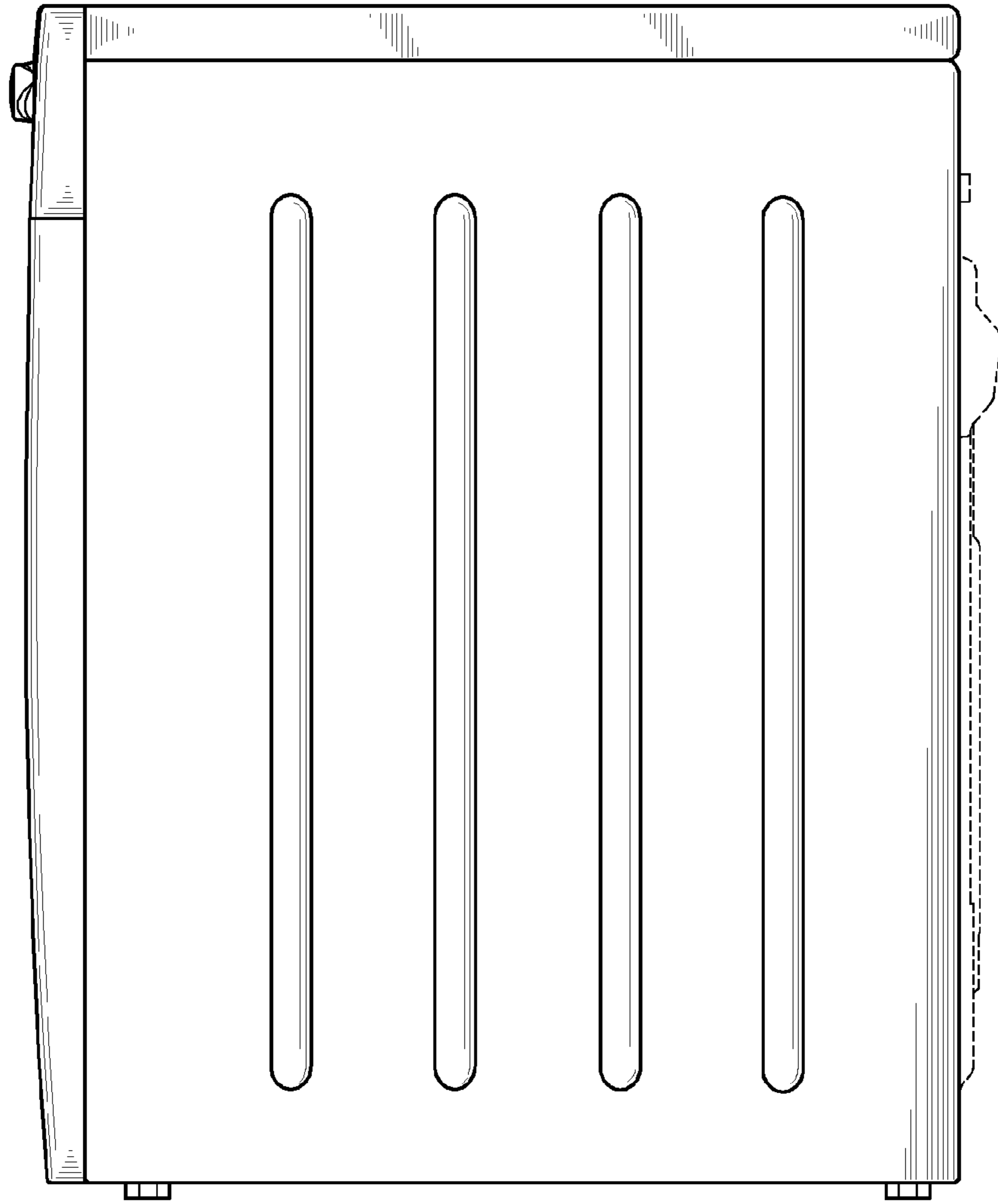


FIG.5

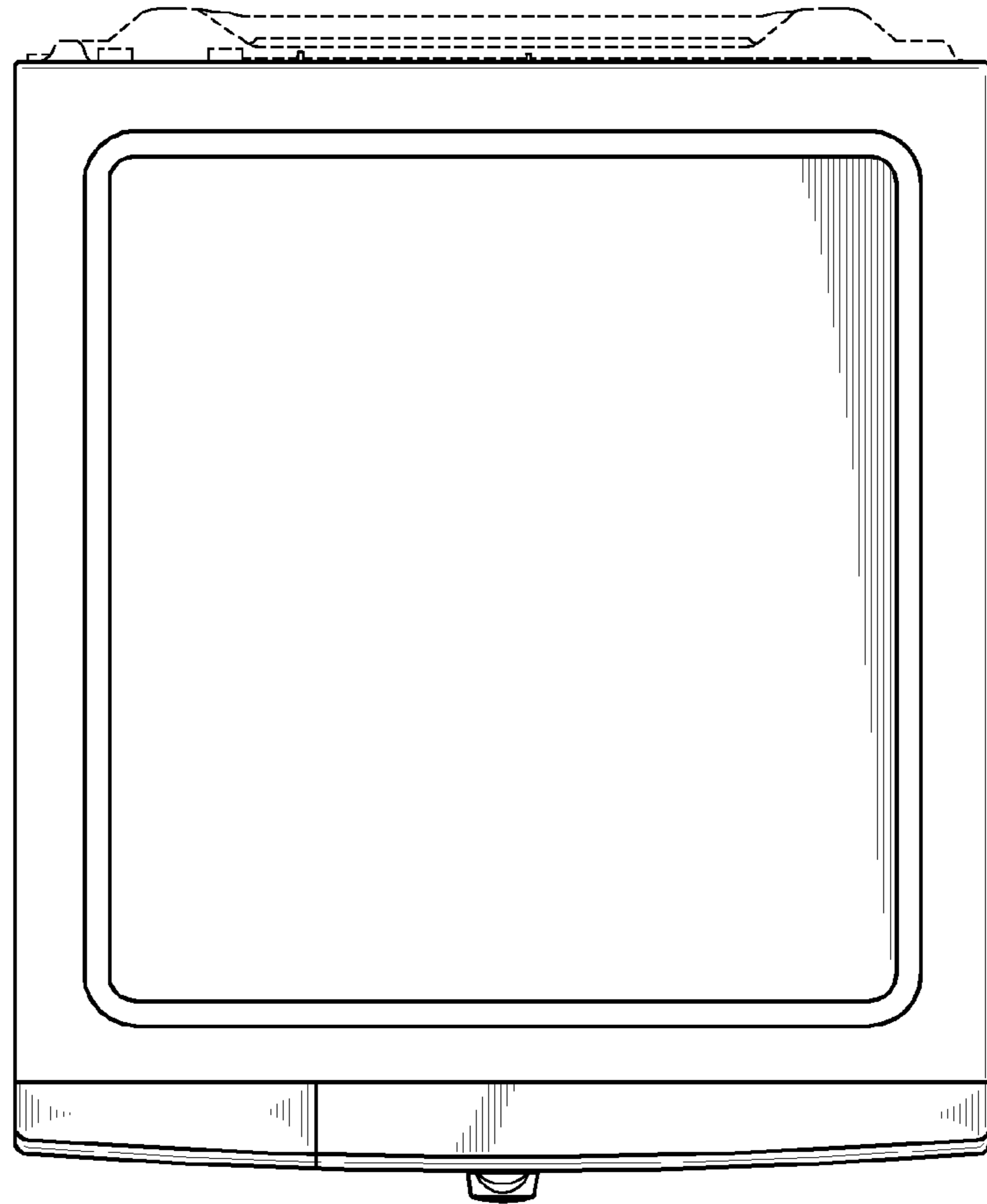


FIG.6

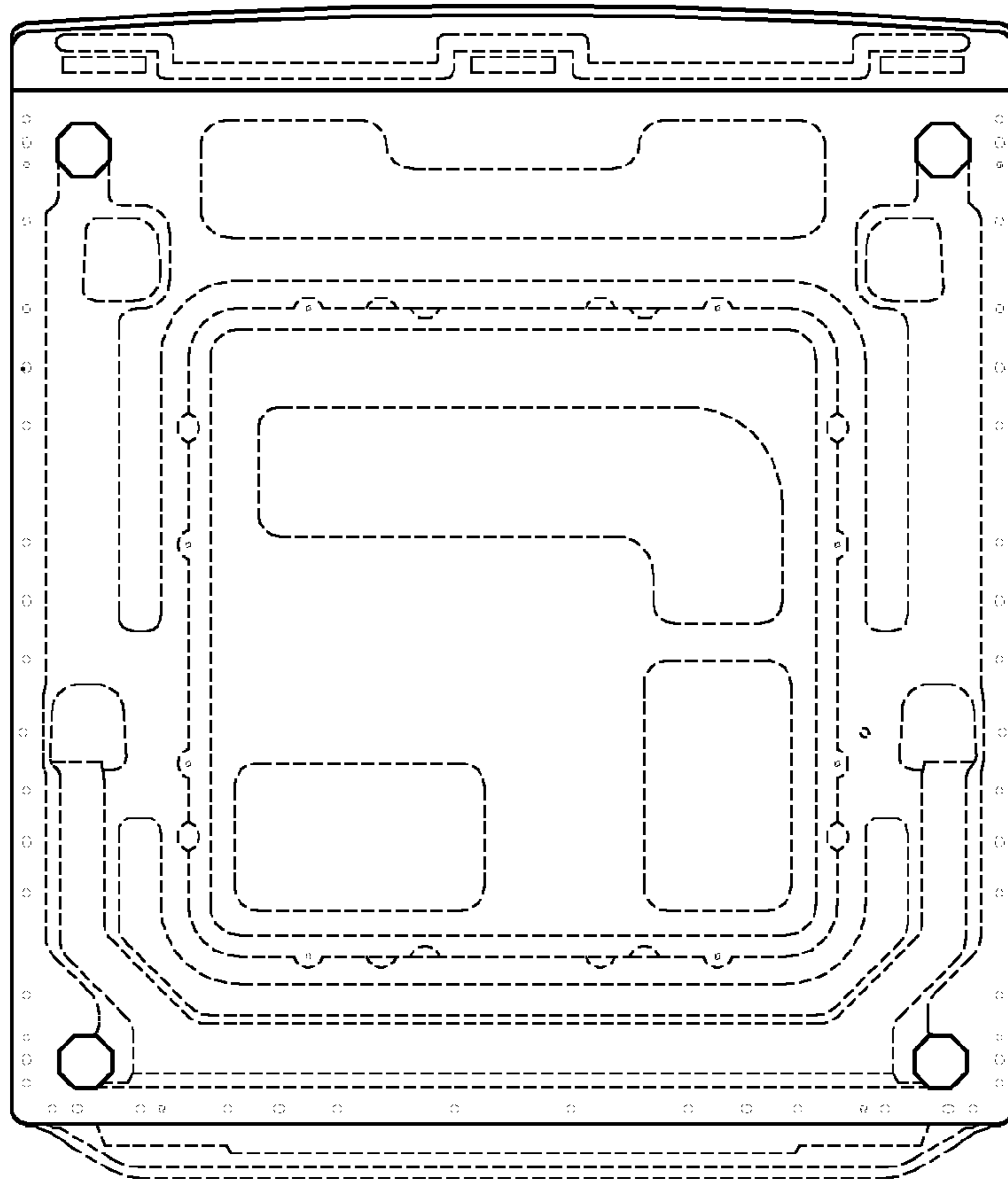


FIG. 7