



US00D680279S

(12) **United States Design Patent**
DeJong

(10) **Patent No.:** **US D680,279 S**
(45) **Date of Patent:** **** Apr. 16, 2013**

(54) **BAREBACK MOUNTING AID**

(76) Inventor: **Randell DeJong**, Surrey (CA)

(**) Term: **14 Years**

(21) Appl. No.: **29/407,946**

(22) Filed: **Dec. 5, 2011**

(51) **LOC (9) Cl.** **30-04**

(52) **U.S. Cl.**
USPC **D30/134**

(58) **Field of Classification Search** D30/135,
D30/142, 151-153, 199, 134; 54/44.1-44.7,
54/46.1, 46.2; D3/207-212, 215
See application file for complete search history.

(56) **References Cited**

U.S. PATENT DOCUMENTS

2,737,154	A *	3/1956	Michonski	119/798
3,096,552	A *	7/1963	Kreger, Jr.	24/166
D279,036	S	5/1985	Ludwig	
4,601,161	A	7/1986	Drellich	
D289,698	S *	5/1987	Bates	D30/142
D293,497	S *	12/1987	Bird	D30/134
4,761,938	A	8/1988	Townsend	
4,999,980	A *	3/1991	McGowan	54/23
5,216,874	A *	6/1993	Farrow	54/46.1
D408,103	S *	4/1999	Snedeker	D30/153
D437,623	S *	2/2001	Ormsby	D21/662
D440,144	S *	4/2001	Todd	D8/354
6,698,544	B2 *	3/2004	Kurtgis	182/3
6,748,727	B1 *	6/2004	Schulte	54/47
7,121,068	B2 *	10/2006	Van Scoyk	54/46.1
7,386,973	B2	6/2008	Madill, Jr.	
D628,122	S *	11/2010	Sanders	D11/200
D632,850	S *	2/2011	Light et al.	D30/152
D657,503	S *	4/2012	January	D30/139
D669,233	S *	10/2012	Ranstead	D30/153
2004/0200197	A1	10/2004	Peterson	
2005/0120684	A1	6/2005	Sparacino	

FOREIGN PATENT DOCUMENTS

DE 202005015762 U1 6/2006
FR 2915983 B3 11/2008

OTHER PUBLICATIONS

Best Friend Equine Supply, Inc. "Bare-Up Mounting Aid". Accessed on Dec. 6, 2011. <www.bestfriendequine.com/bare-upmountingaid.html>.

* cited by examiner

Primary Examiner — Susan M Lee

Assistant Examiner — Linda G Brooks

(74) *Attorney, Agent, or Firm* — Oyen Wiggs Green & Mutala LLP

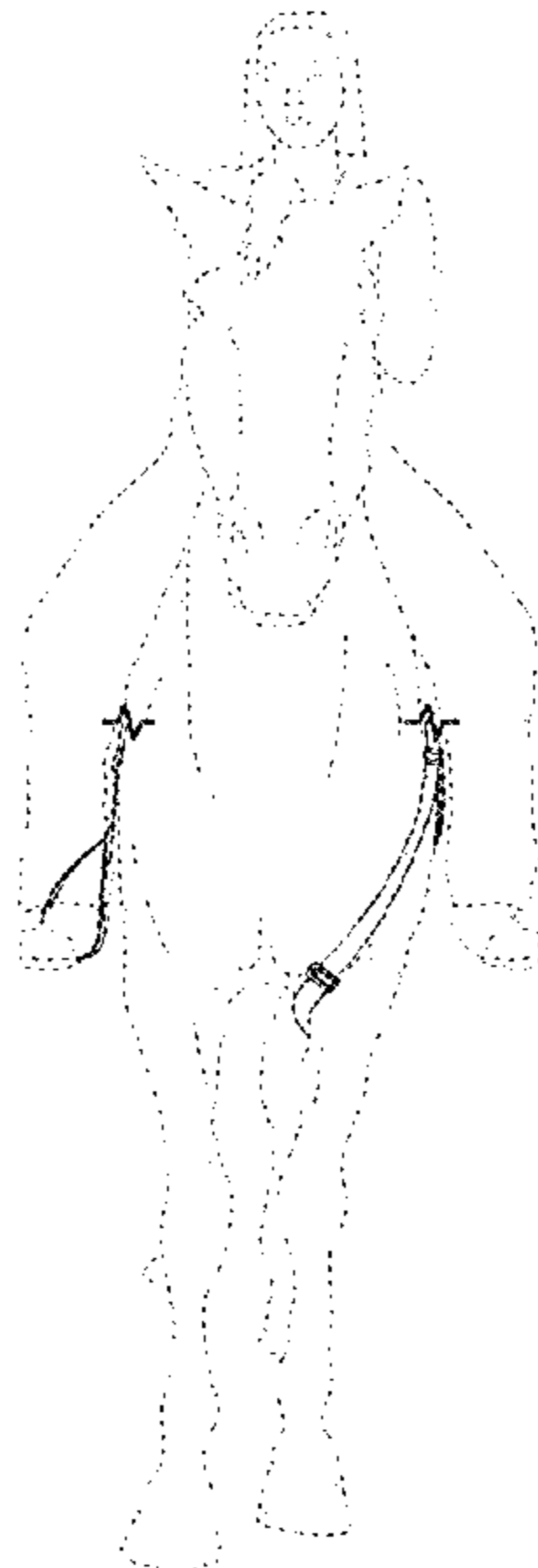
(57) **CLAIM**

The ornamental design for a bareback mounting aid, as shown and described.

DESCRIPTION

FIG. 1 is a front view of a horse and rider showing the environment of use of the bareback mounting aid;
FIG. 2 is a front elevation view of the bareback mounting aid with the clip disengaged for reasons of clarity;
FIG. 3 is a rear elevation view thereof with the clip disengaged for reasons of clarity;
FIG. 4 is a left side elevation view thereof with the clip disengaged for reasons of clarity;
FIG. 5 is a right side elevation view thereof with the clip disengaged for reasons of clarity; and,
FIG. 6 is an elevation view thereof showing the clip engaged. The portions of the horse and rider shown in broken lines in FIG. 1 are directed to environment only and do not form part of the design. The other broken lines in FIGS. 1-6 represent unclaimed structure. The break lines shown in the drawings indicate no specific length of those portions of the bareback mounting aid.

1 Claim, 6 Drawing Sheets



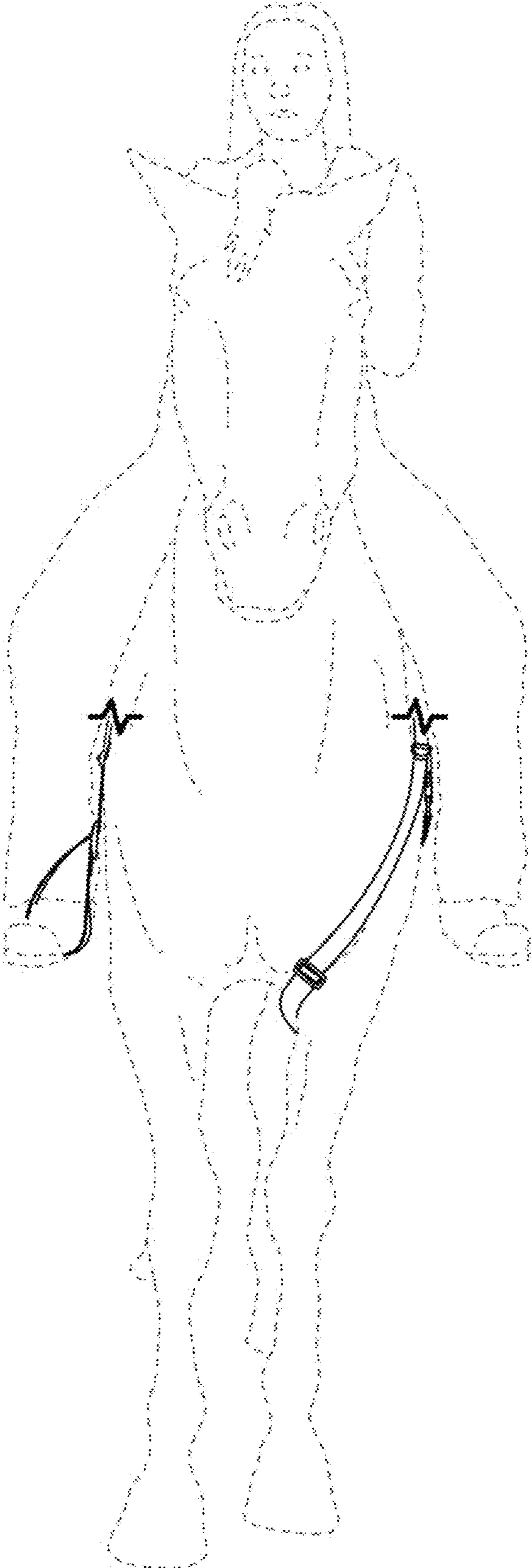


FIG. 1

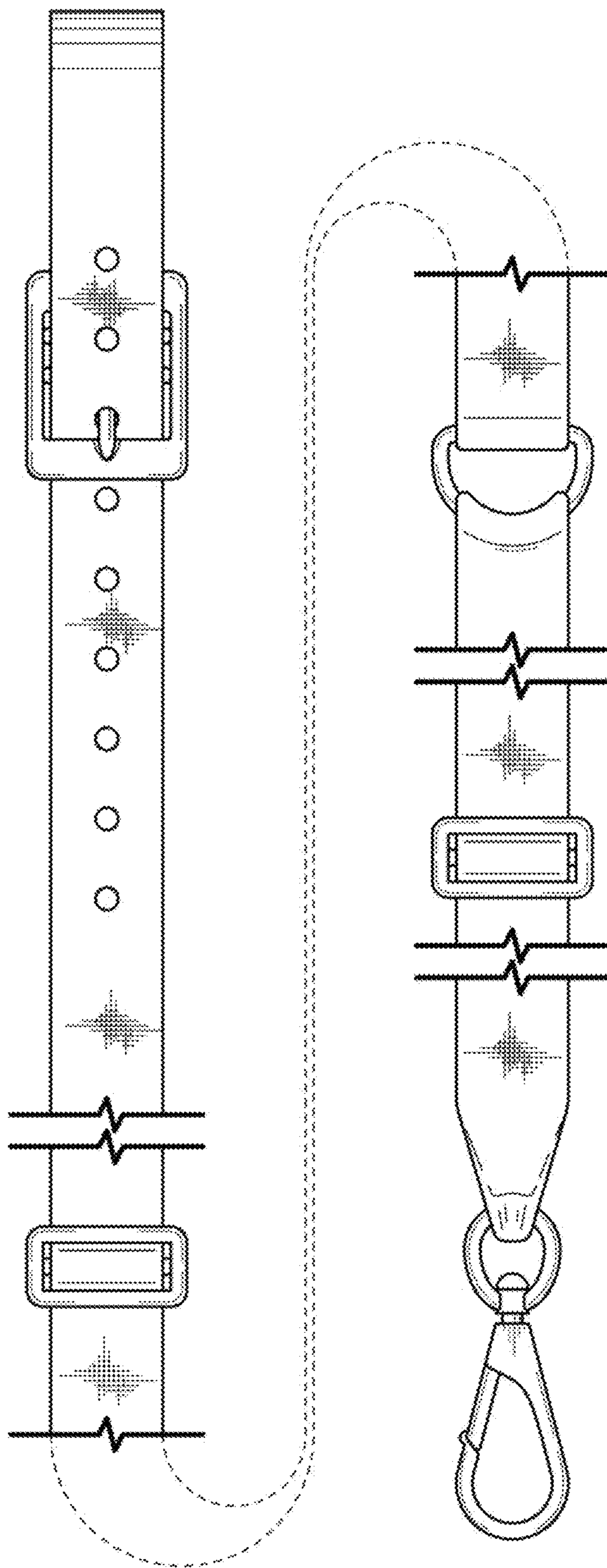


FIG. 2

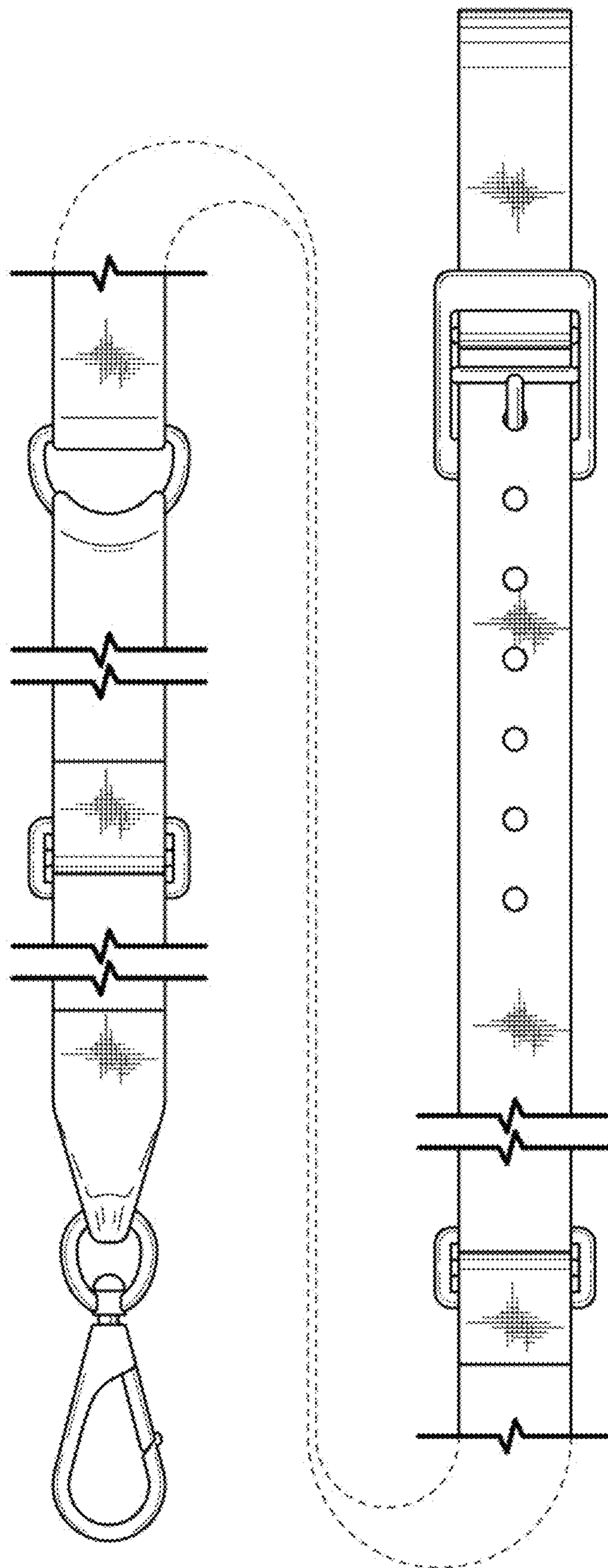


FIG. 3

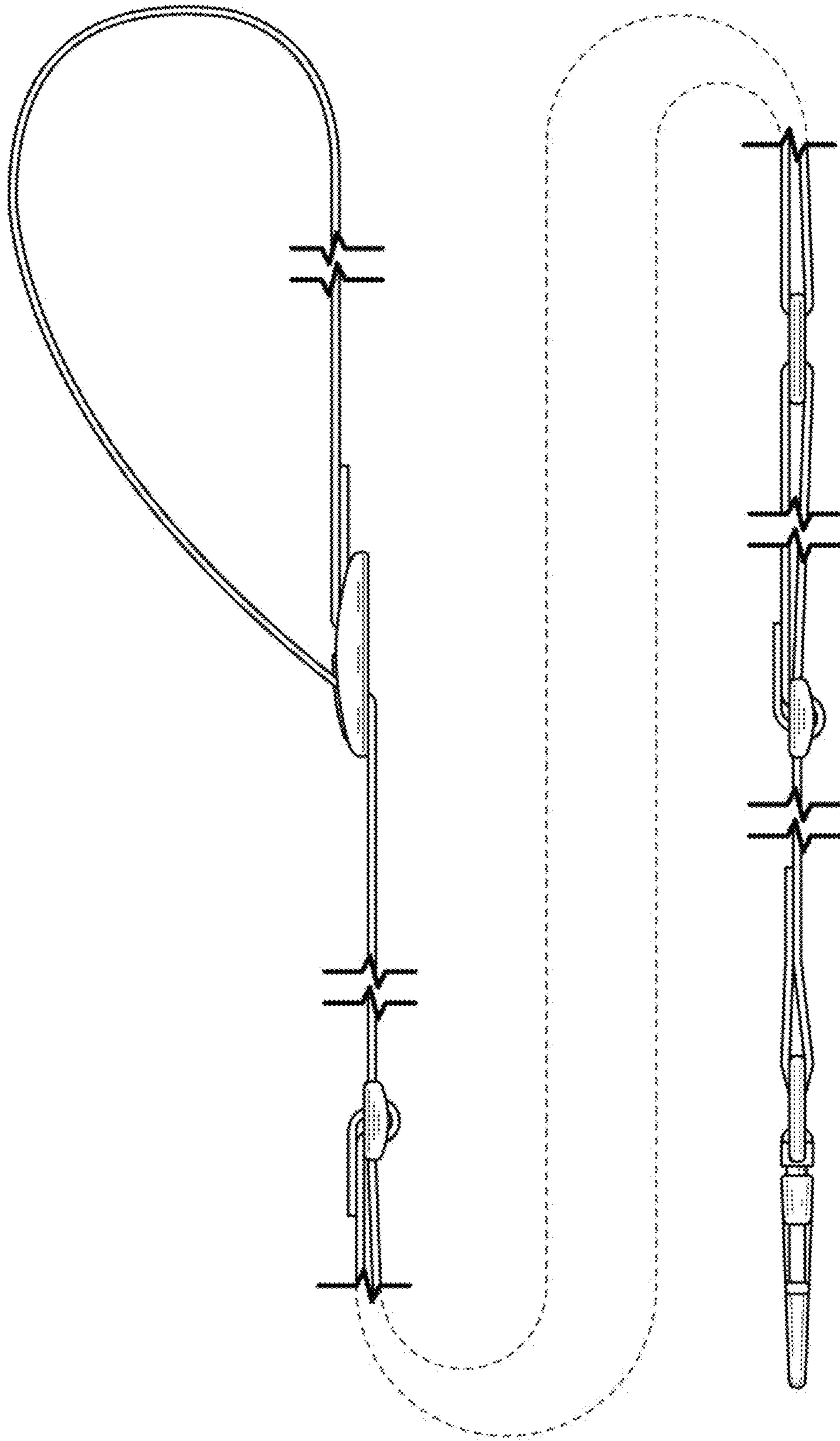


FIG. 4

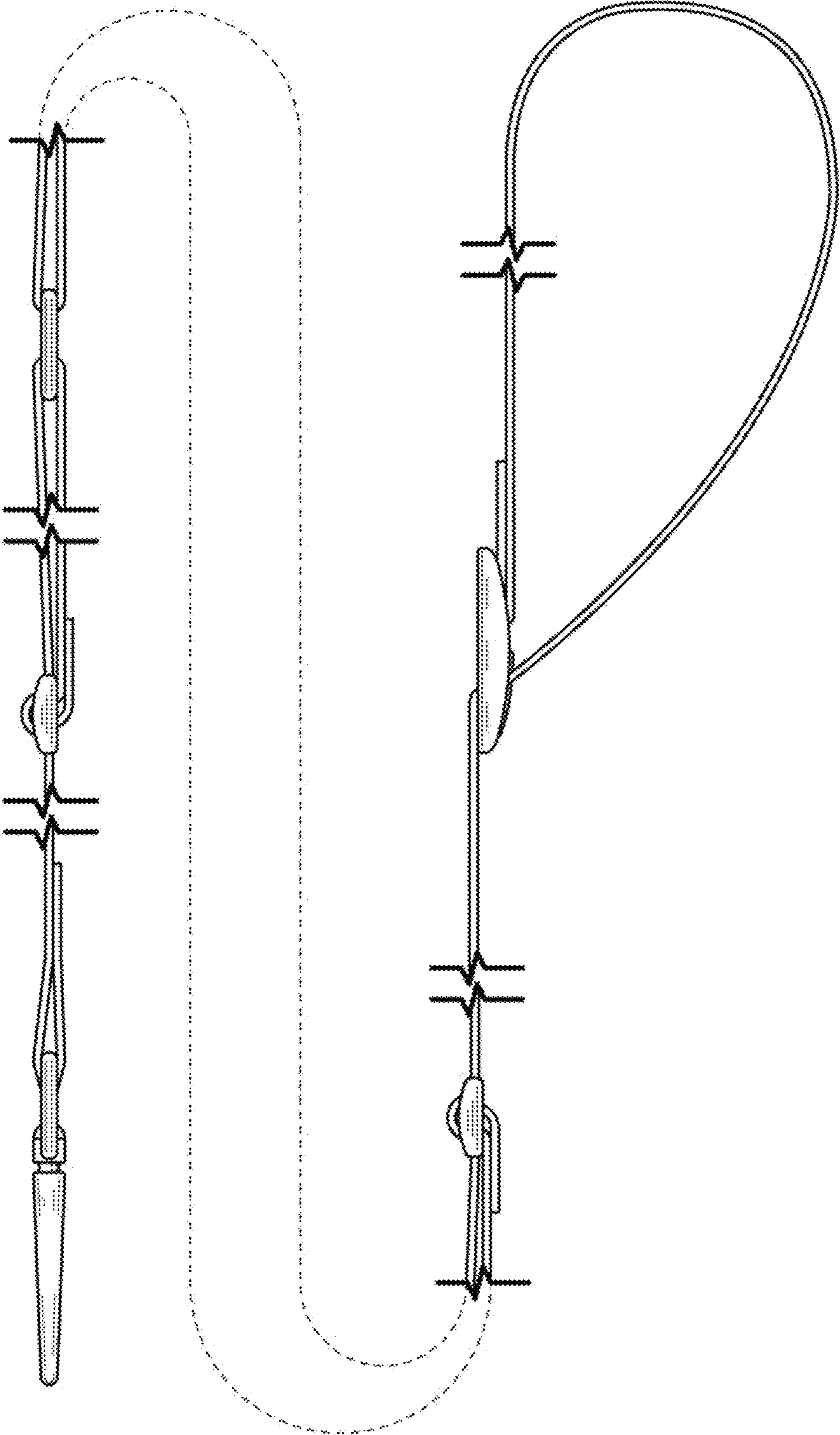


FIG. 5

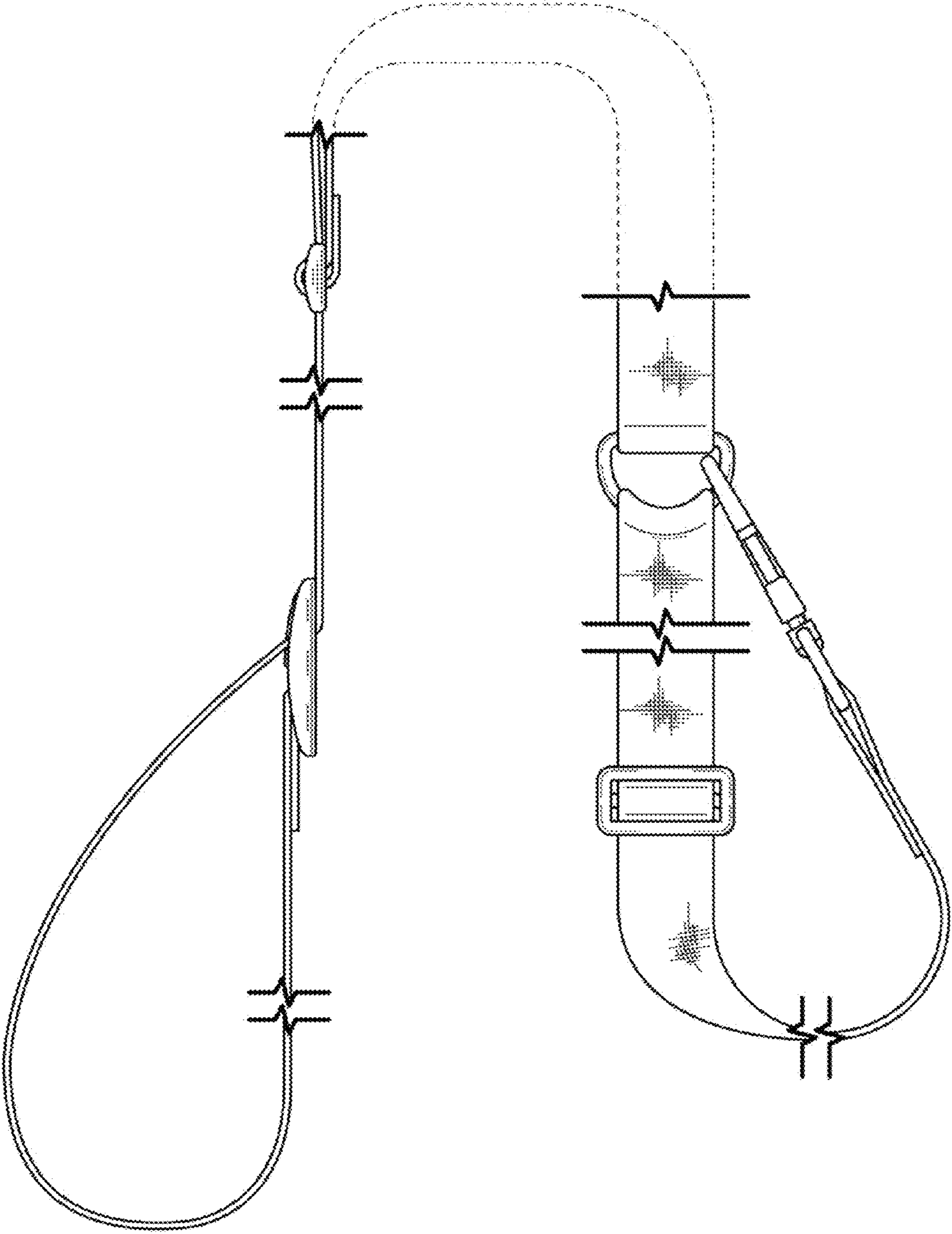


FIG. 6