



US00D680278S

(12) **United States Design Patent**  
**Moe**

(10) **Patent No.:** **US D680,278 S**

(45) **Date of Patent:** **\*\* Apr. 16, 2013**

(54) **FIRE DEPARTMENT CONNECTION SECURITY COVER**

5,992,875 A \* 11/1999 Cundill ..... 280/728.2  
6,354,116 B1 3/2002 Drake  
7,140,212 B2 11/2006 Trempala

(76) Inventor: **Gary Morgan Moe**, Orange, CA (US)

\* cited by examiner

(\*\*) Term: **14 Years**

*Primary Examiner* — Susan Bennett Hattan

(21) Appl. No.: **29/412,185**

(74) *Attorney, Agent, or Firm* — Mind Law Firm, P.C.; Justin G. Sanders; Jeromye V. Sartain

(22) Filed: **Jan. 31, 2012**

(51) **LOC (9) Cl.** ..... **29-01**

(52) **U.S. Cl.**  
USPC ..... **D29/129**

(58) **Field of Classification Search** ..... D29/100,  
D29/101.2, 101.3, 101.4, 101.5, 129; 137/383,  
137/556; 280/728.2

See application file for complete search history.

(57) **CLAIM**

The ornamental design for a fire department connection security cover, as shown and described.

**DESCRIPTION**

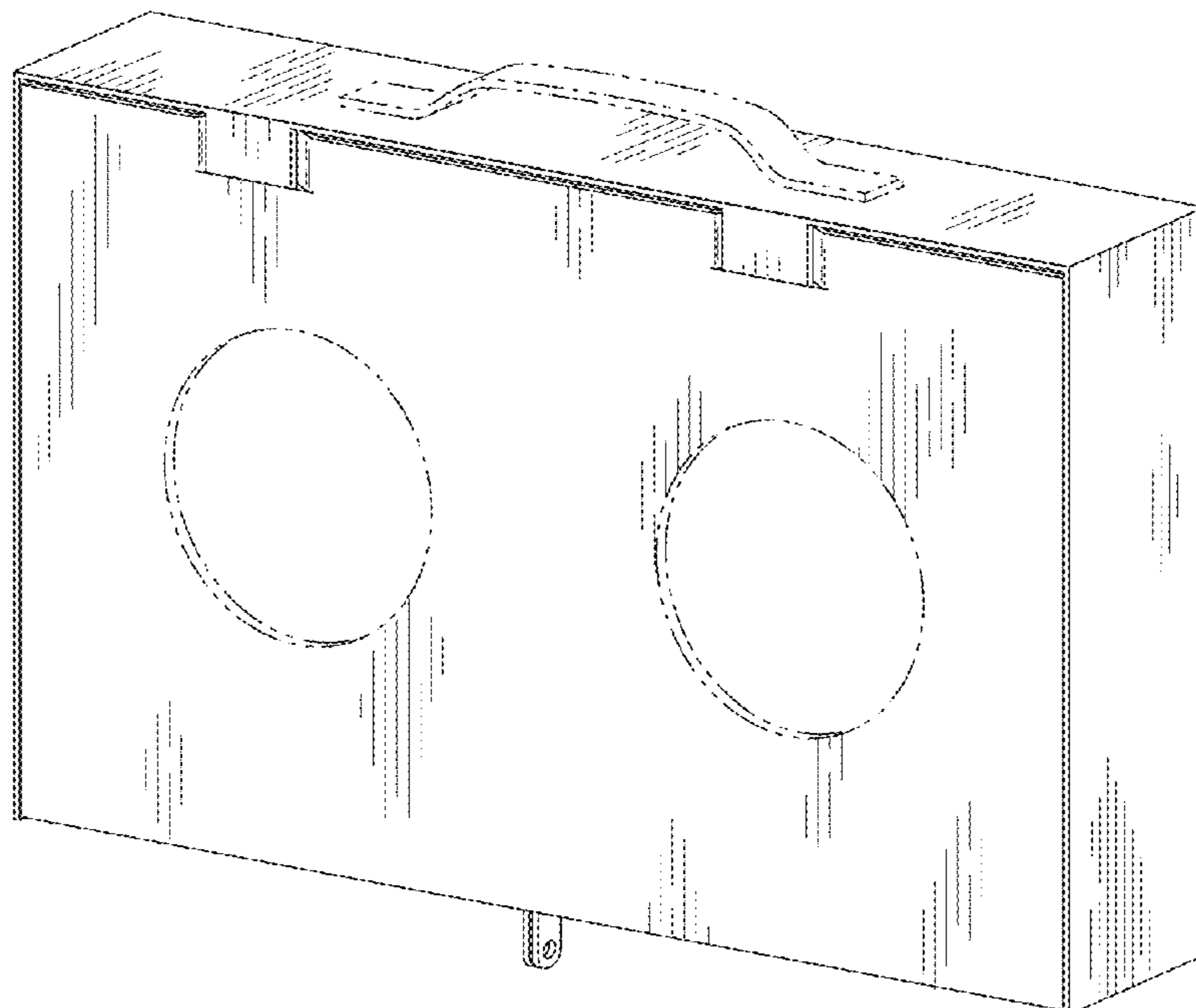
FIG. 1 is a perspective view of an exemplary embodiment of my new fire department connection security cover design; FIG. 2 is a top view thereof; FIG. 3 is a bottom view thereof; FIG. 4 is a front view thereof; FIG. 5 is a rear view thereof; FIG. 6 is a right side view thereof; FIG. 7 is a left side view thereof; and, FIG. 8 is an exploded perspective view thereof. Pursuant to 37 C.F.R. § 1.152 and MPEP § 1503.02, Part III, broken lines have been used throughout the drawings to illustrate inherent but unclaimed features of my fire department connection security cover design, which features are expressly not claimed as part of said design, are shown strictly for context, and are unrelated to any indication of the relative importance of such features.

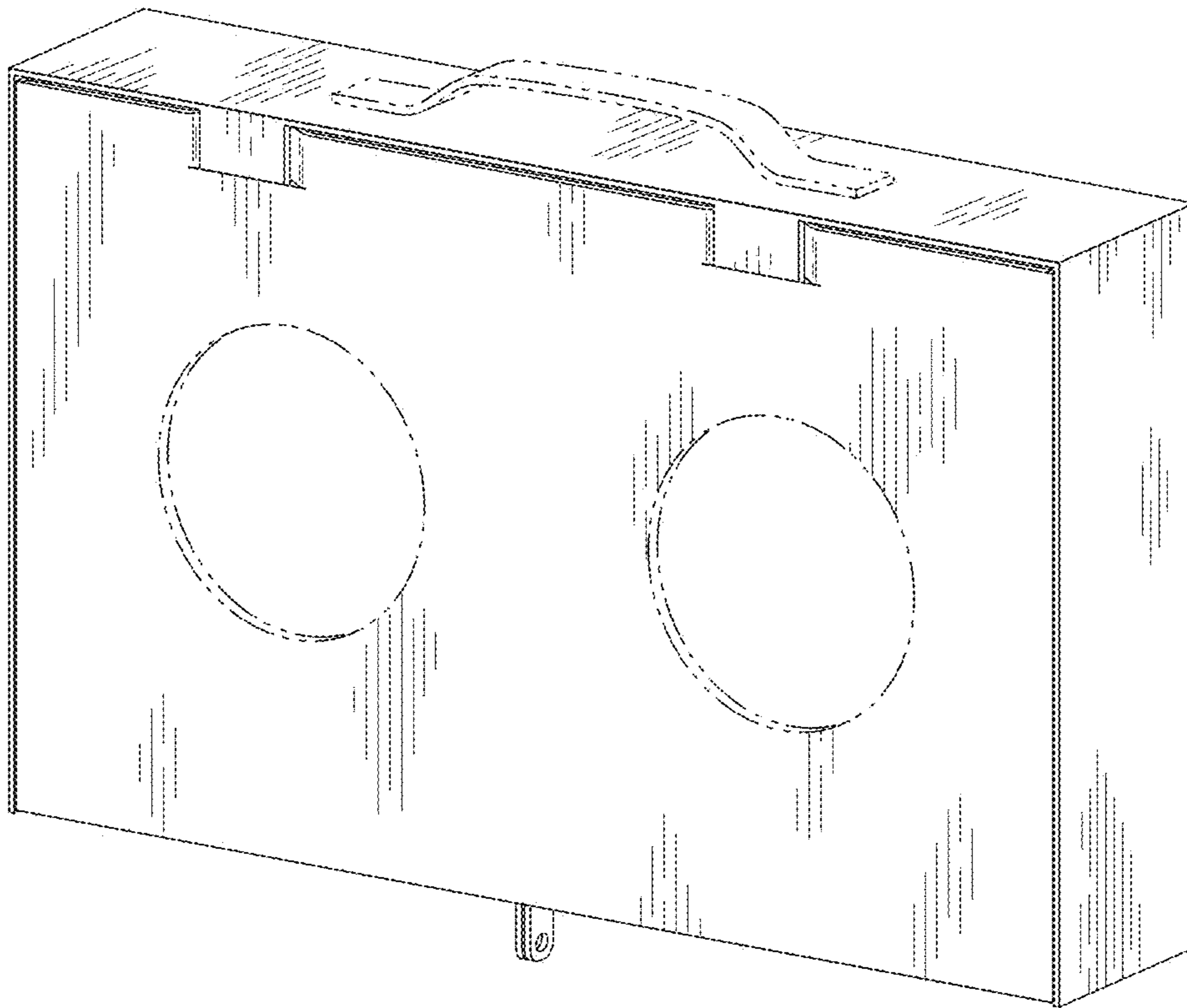
(56) **References Cited**

**U.S. PATENT DOCUMENTS**

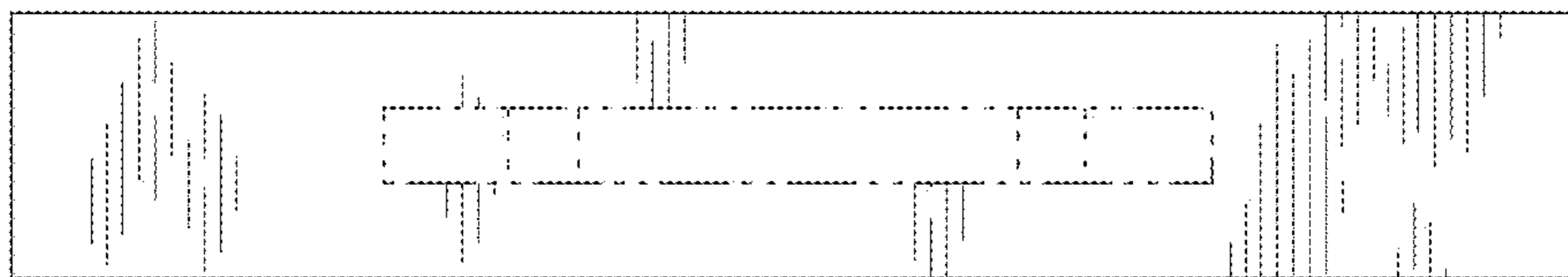
674,582 A	5/1901	Lewy	
1,484,793 A	2/1924	Moore	
1,690,461 A	11/1928	Sieben	
D181,320 S	* 10/1957	Somers	..... D29/129
2,990,846 A	7/1961	Rives	
4,301,828 A	11/1981	Martin, Jr.	
4,326,395 A	4/1982	DeRosa	
4,422,314 A	12/1983	Cooper	
4,591,657 A	5/1986	Masters	
4,805,073 A	2/1989	Johnson et al.	
5,005,604 A	* 4/1991	Aslanian	..... 137/556
5,172,097 A	12/1992	Arnold	
5,368,066 A	* 11/1994	Scaramucci	..... 137/383
5,918,491 A	7/1999	Maxwell et al.	
5,927,111 A	7/1999	Nachbauer	

**1 Claim, 4 Drawing Sheets**

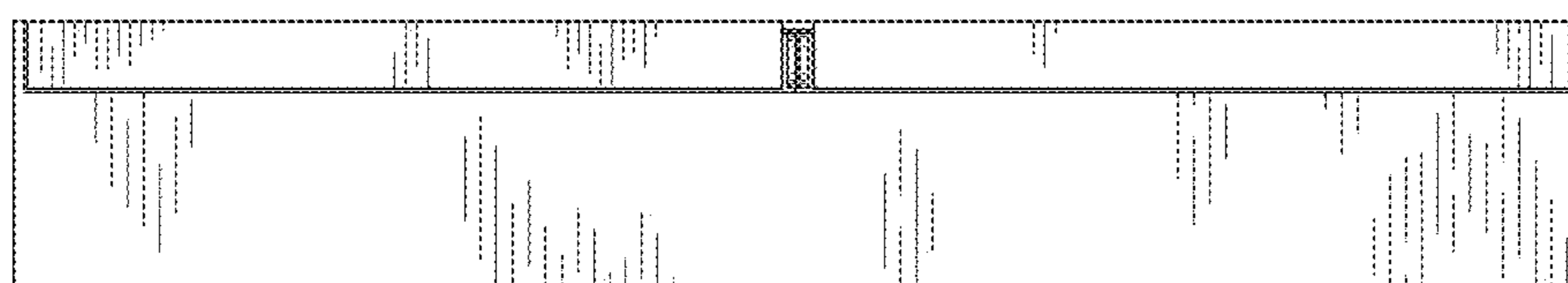




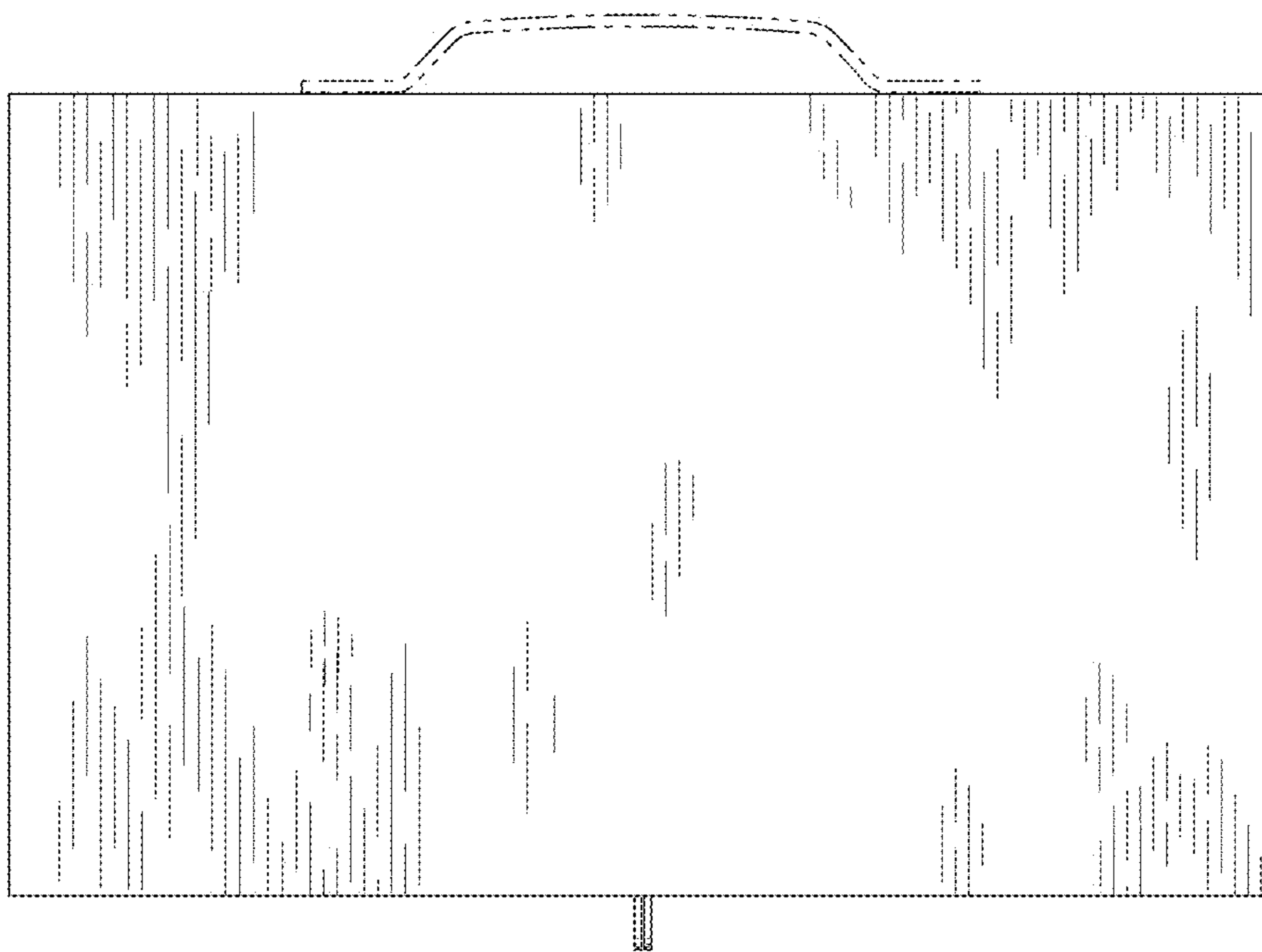
*Fig. 1*



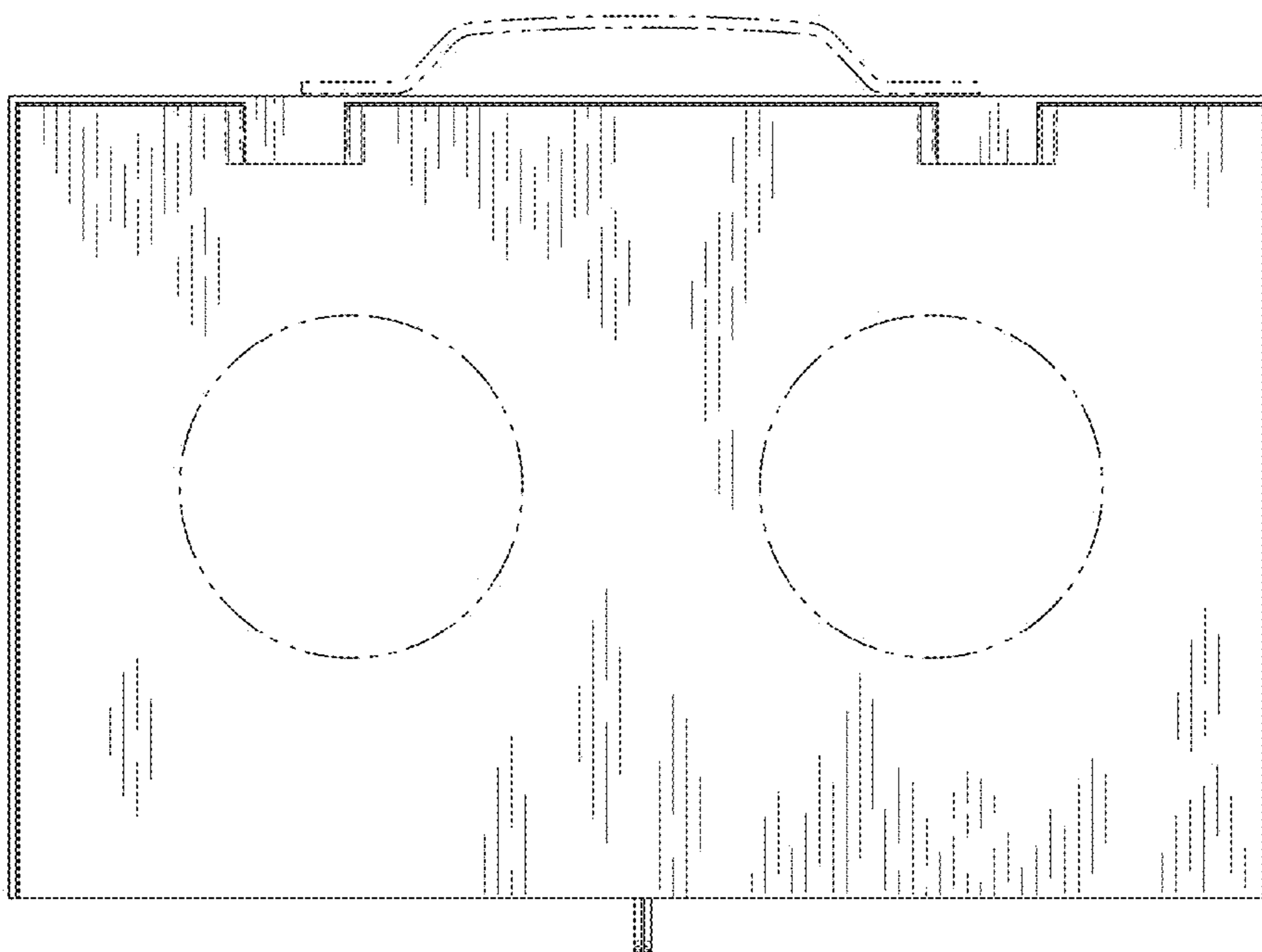
*Fig. 2*



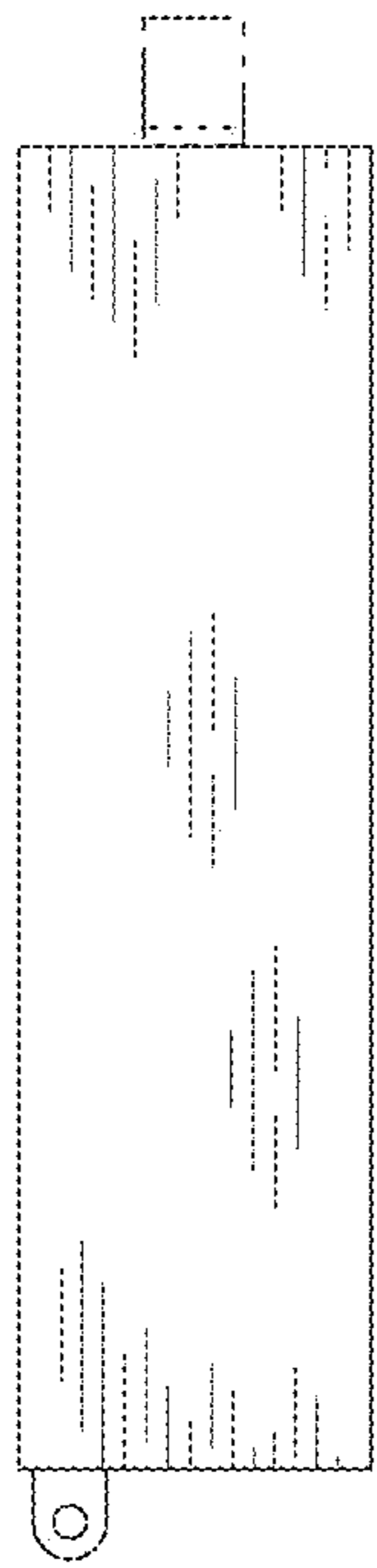
*Fig. 3*



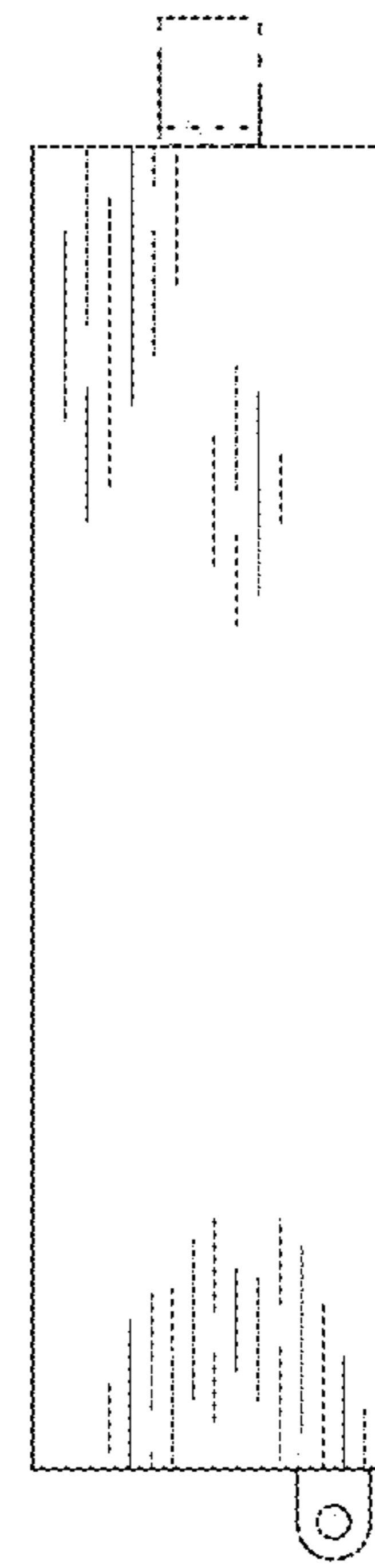
*Fig. 4*



*Fig. 5*



*Fig. 6*



*Fig. 7*

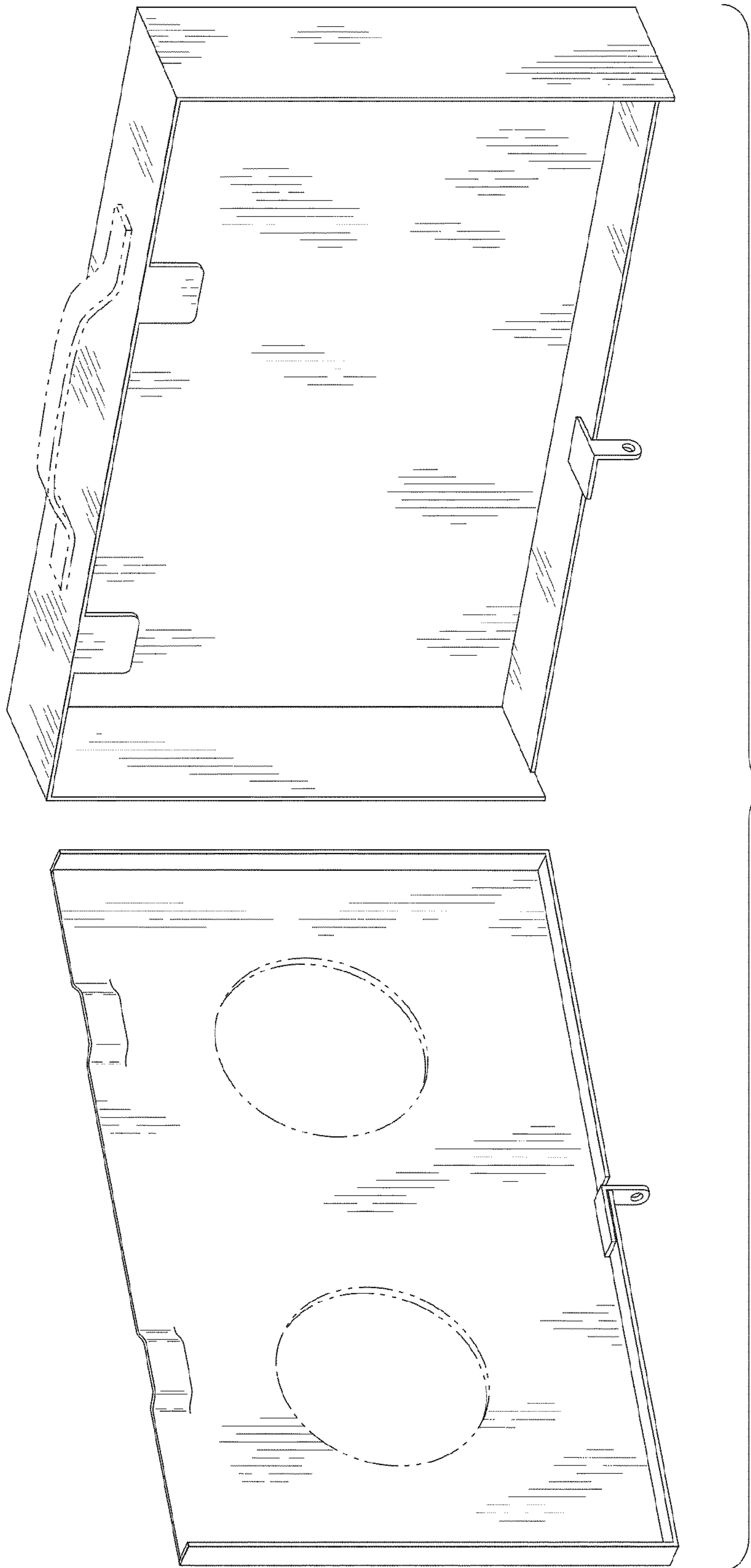


Fig. 8