



US00D680277S

(12) **United States Design Patent**
Coremans

(10) **Patent No.:** **US D680,277 S**
(45) **Date of Patent:** **** Apr. 16, 2013**

(54) **RESCUE DEVICE**

(75) Inventor: **Bas Coremans**, Tilburg (NL)

(73) Assignee: **N.V. Holmatro**, Raamsdonksveer (NL)

(**) Term: **14 Years**

(21) Appl. No.: **29/414,952**

(22) Filed: **Mar. 6, 2012**

(30) **Foreign Application Priority Data**

Sep. 8, 2011 (EM) 001914631-0001

(51) **LOC (9) Cl.** **29-02**

(52) **U.S. Cl.**
USPC **D29/124**

(58) **Field of Classification Search** D22/115-116;
86/1.1, 16, 54-57; 441/85; D29/124, 128;
42/105; 102/473-481, 511-529, 501-510
See application file for complete search history.

(56) **References Cited**

U.S. PATENT DOCUMENTS

4,505,179 A * 3/1985 Nelson et al. 441/85
4,778,424 A * 10/1988 Lloyd 441/85
5,661,922 A * 9/1997 Bonomo 43/42.31
5,748,080 A * 5/1998 Clay 340/539.26
6,209,531 B1 * 4/2001 Boon 124/20.1
6,244,261 B1 * 6/2001 West, Jr. 124/60
6,487,951 B1 * 12/2002 Petkantchin 89/1.34

6,817,727 B1 * 11/2004 McFadden 362/108
7,029,353 B2 * 4/2006 Goodman et al. 441/84
7,285,032 B2 * 10/2007 Cha 441/81
7,849,973 B2 * 12/2010 Hikita et al. 187/384
D671,613 S * 11/2012 Tabb D22/115

* cited by examiner

Primary Examiner — Raphael Barkai

Assistant Examiner — Randall Gholson

(74) *Attorney, Agent, or Firm* — Banner & Witcoff, Ltd.

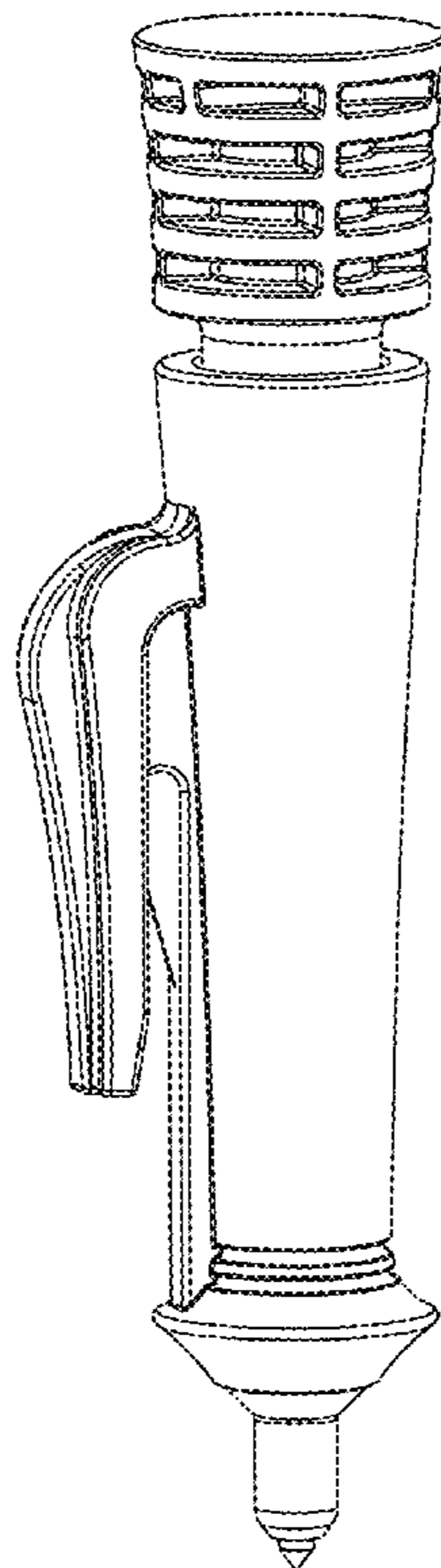
(57) **CLAIM**

The ornamental design for a rescue device, as shown and described.

DESCRIPTION

FIG. 1 is a top, rear perspective view of a rescue device showing my new design;
FIG. 2 is a rear view thereof;
FIG. 3 is a front view thereof;
FIG. 4 is a side view thereof;
FIG. 5 is an opposite side view thereof;
FIG. 6 is an enlarged top view thereof;
FIG. 7 is an enlarged bottom view thereof;
FIG. 8 is a partial enlarged top, rear perspective view showing a region of FIG. 1; and,
FIG. 9 is a partial enlarged top, rear perspective view showing a region of FIG. 2.

1 Claim, 7 Drawing Sheets



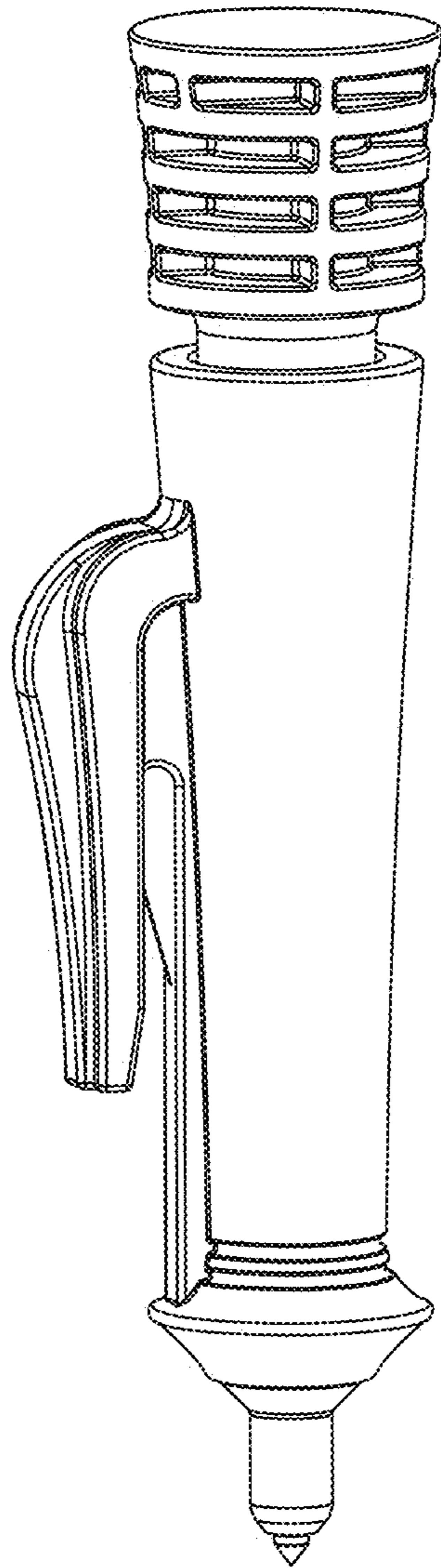


FIG. 1

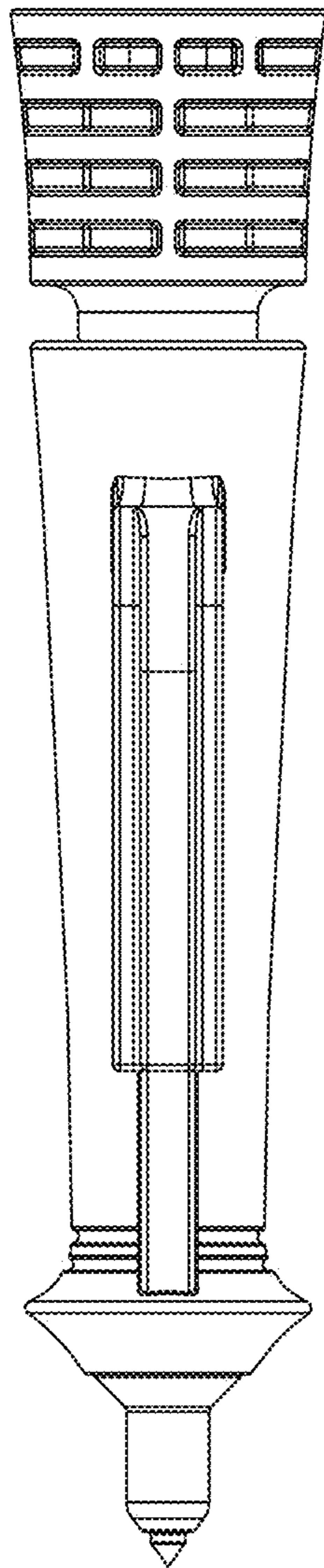


FIG. 2

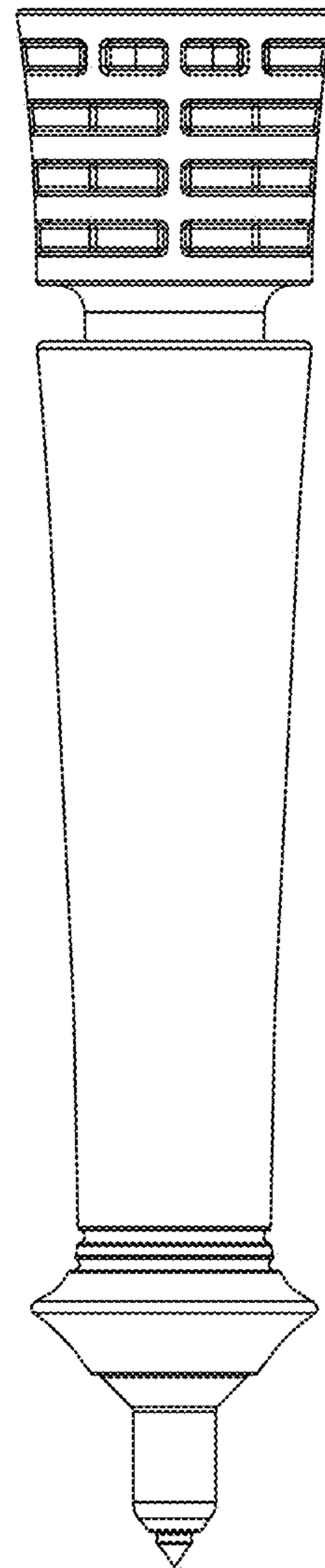


FIG. 3

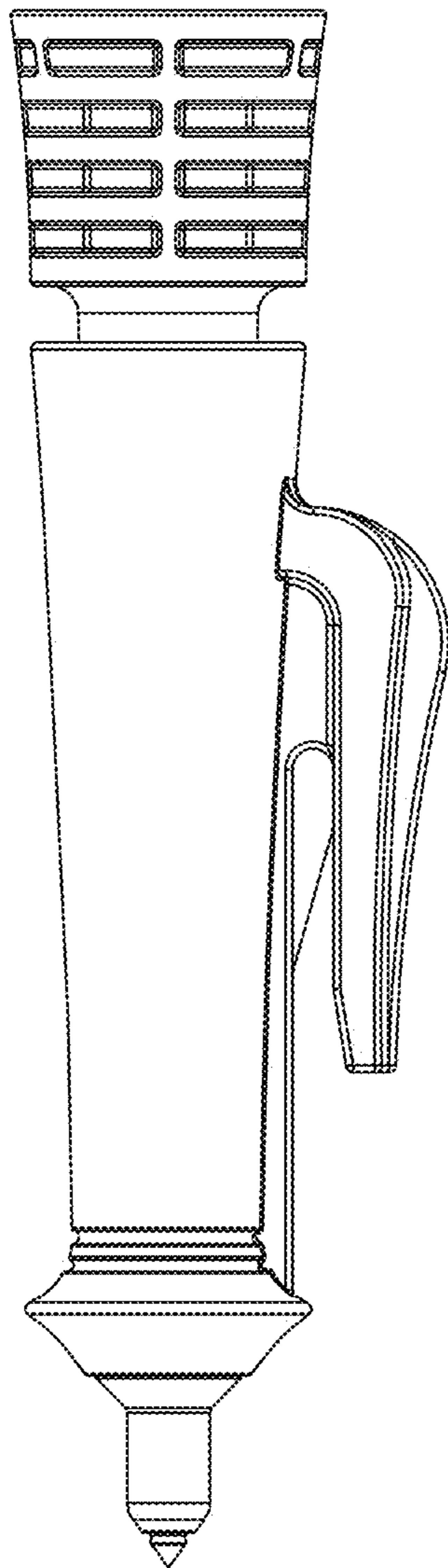


FIG. 4

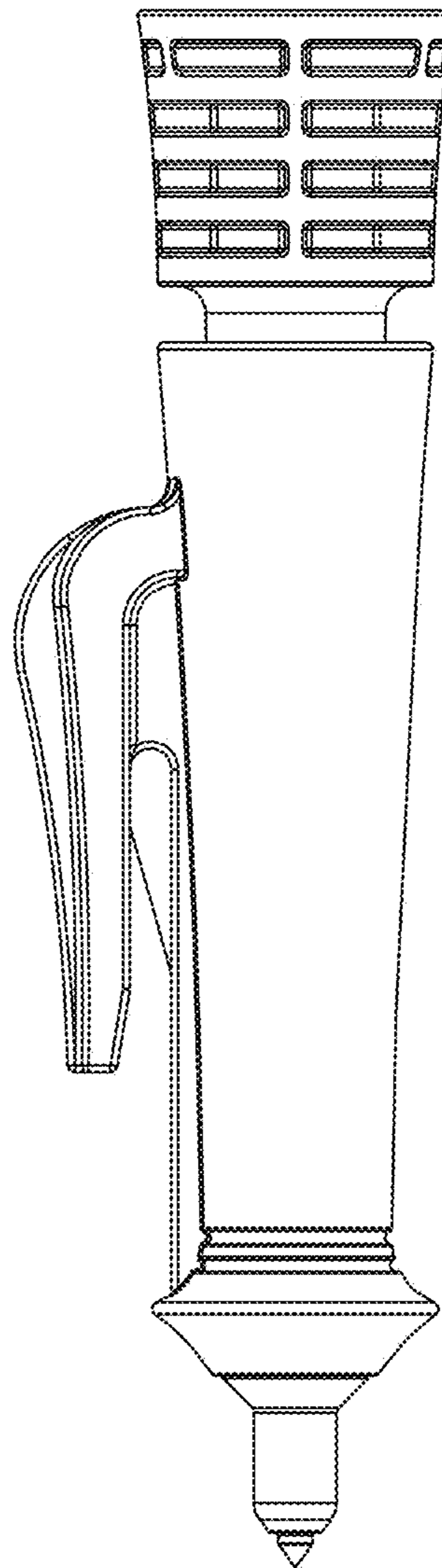


FIG. 5

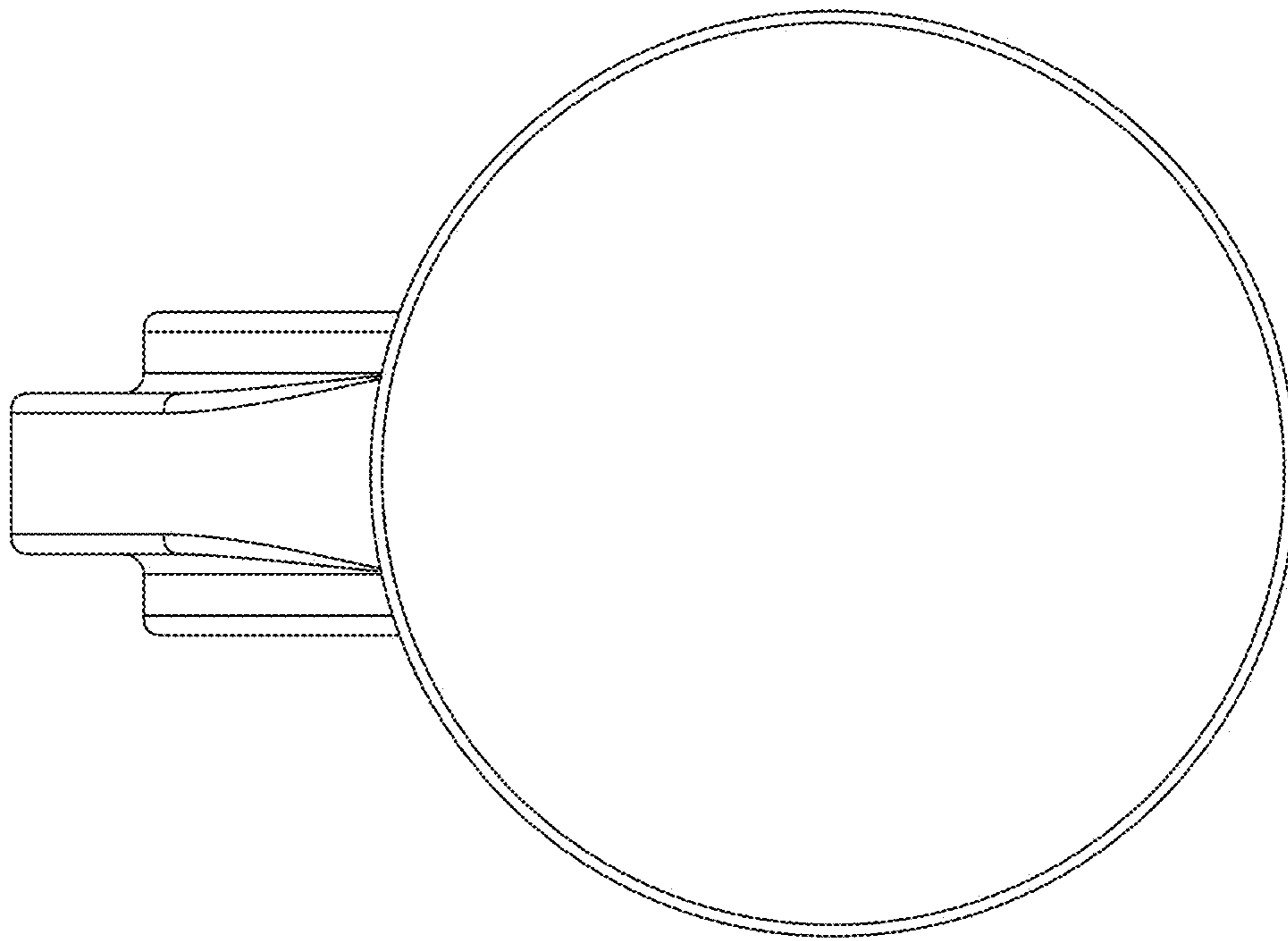


FIG. 6

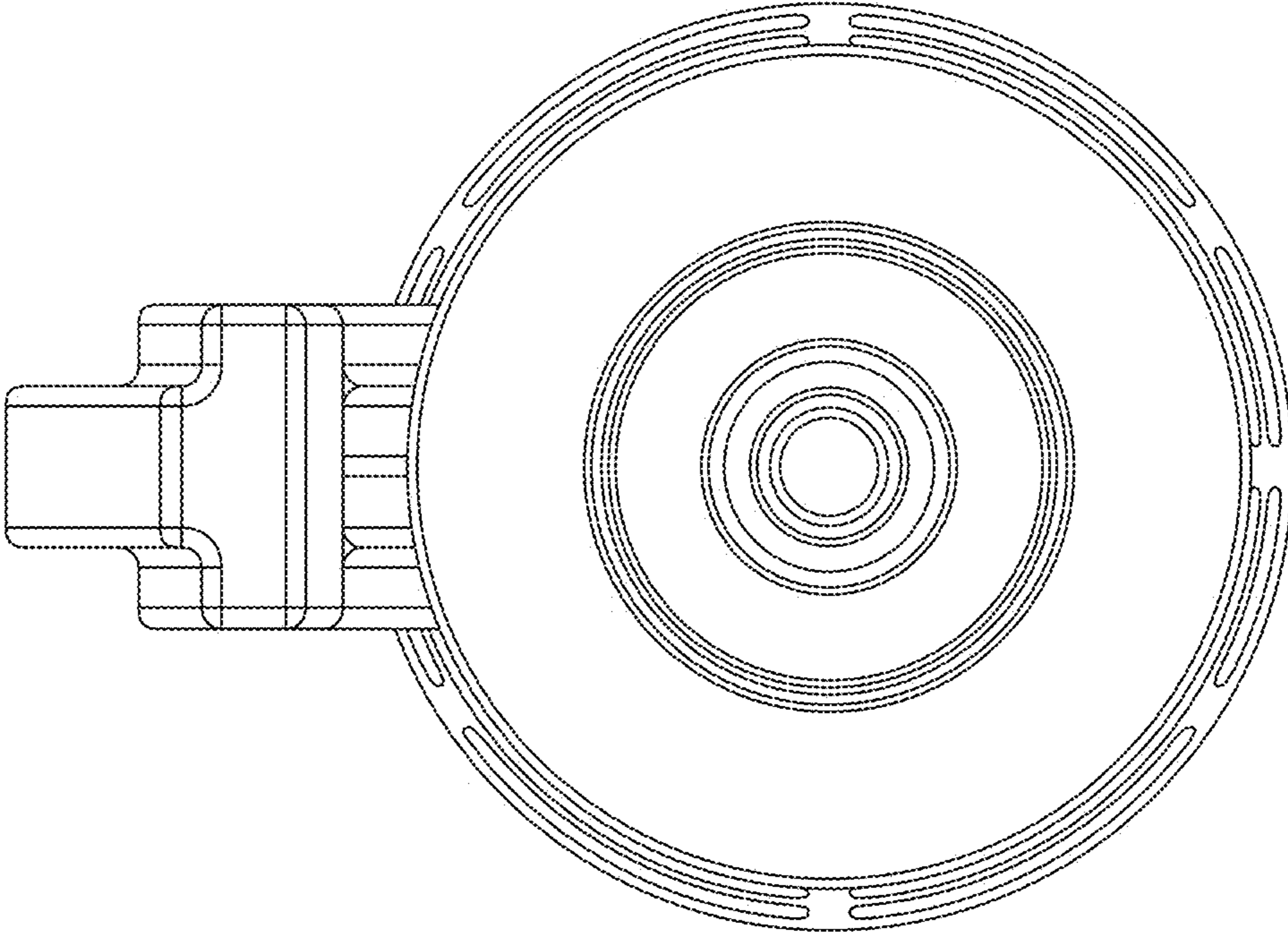


FIG. 7

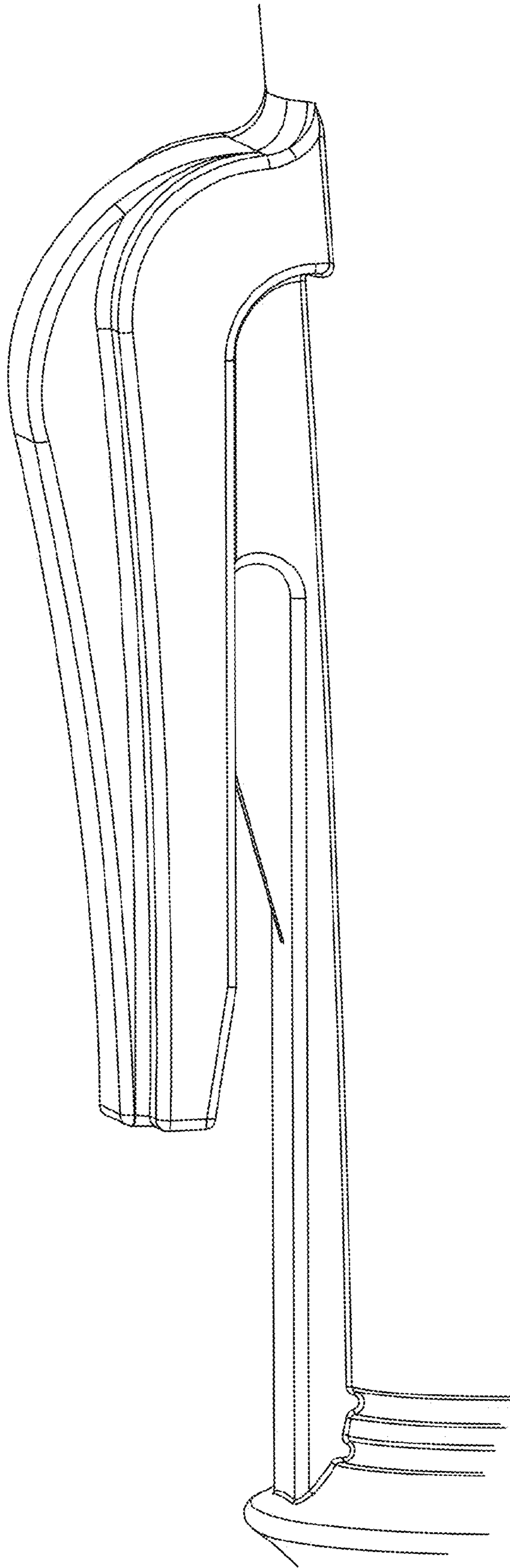


FIG. 8

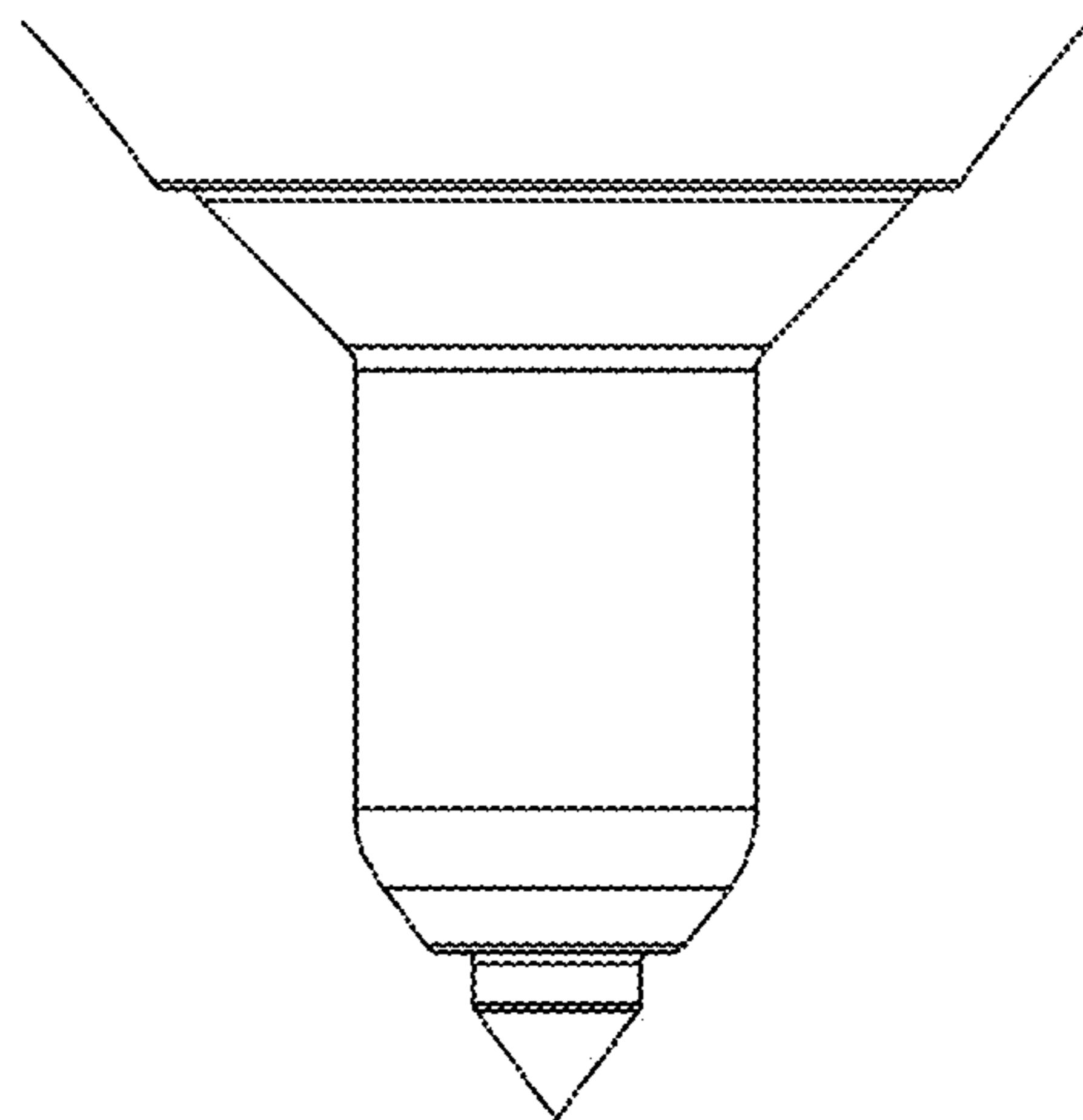


FIG. 9