



US00D680270S

(12) **United States Design Patent**
Drought et al.

(10) **Patent No.:** **US D680,270 S**
(45) **Date of Patent:** **** Apr. 16, 2013**

(54) **SET OF CAPSULES CONTAINING WASHING PRODUCTS**

(75) Inventors: **Nick Drought**, Cambridge (GB); **Lucia Krubasik**, Ludwigshafen (DE); **Pavlinka Roy**, Ludwigshafen (DE); **Jordi Salvador**, Barcelona (ES)

(73) Assignee: **Reckitt Benckiser N.V.**, WT Hoofddorp (NL)

(**) Term: **14 Years**

(21) Appl. No.: **29/413,342**

(22) Filed: **Feb. 14, 2012**

(30) **Foreign Application Priority Data**

Aug. 25, 2011 (EM) 001290878-0006

(51) **LOC (9) Cl.** **28-02**

(52) **U.S. Cl.**
USPC **D28/8.1; D9/732**

(58) **Field of Classification Search** D28/8.1-8.2,
D28/4; D9/707, 710, 715, 414, 424-428;
510/141-148, 194, 276, 224, 277, 294-298,
510/439-450, 514, 520, 523

See application file for complete search history.

(56) **References Cited**

U.S. PATENT DOCUMENTS

D444,595	S	*	7/2001	Ide et al.	D28/8.1
6,624,130	B2	*	9/2003	Giblin et al.	510/297
D485,942	S	*	1/2004	McLeish	D28/8.1
D544,370	S	*	6/2007	Tuccillo	D9/732
D565,243	S	*	3/2008	Denome et al.	D28/8.1
D613,181	S	*	4/2010	Friedland et al.	D9/707
D655,622	S	*	3/2012	Sadler et al.	D9/732
D655,628	S	*	3/2012	Mehren et al.	D9/732
D659,902	S	*	5/2012	Mehdizadeh	D28/8.1
D661,018	S	*	5/2012	Mehdizadeh	D28/8.1
D665,530	S	*	8/2012	Gaertner	D28/8.1
2009/0088357	A1	*	4/2009	Huppert et al.	510/103

* cited by examiner

Primary Examiner — Jennifer Rivard

(74) *Attorney, Agent, or Firm* — Norris McLaughlin & Marcus PA

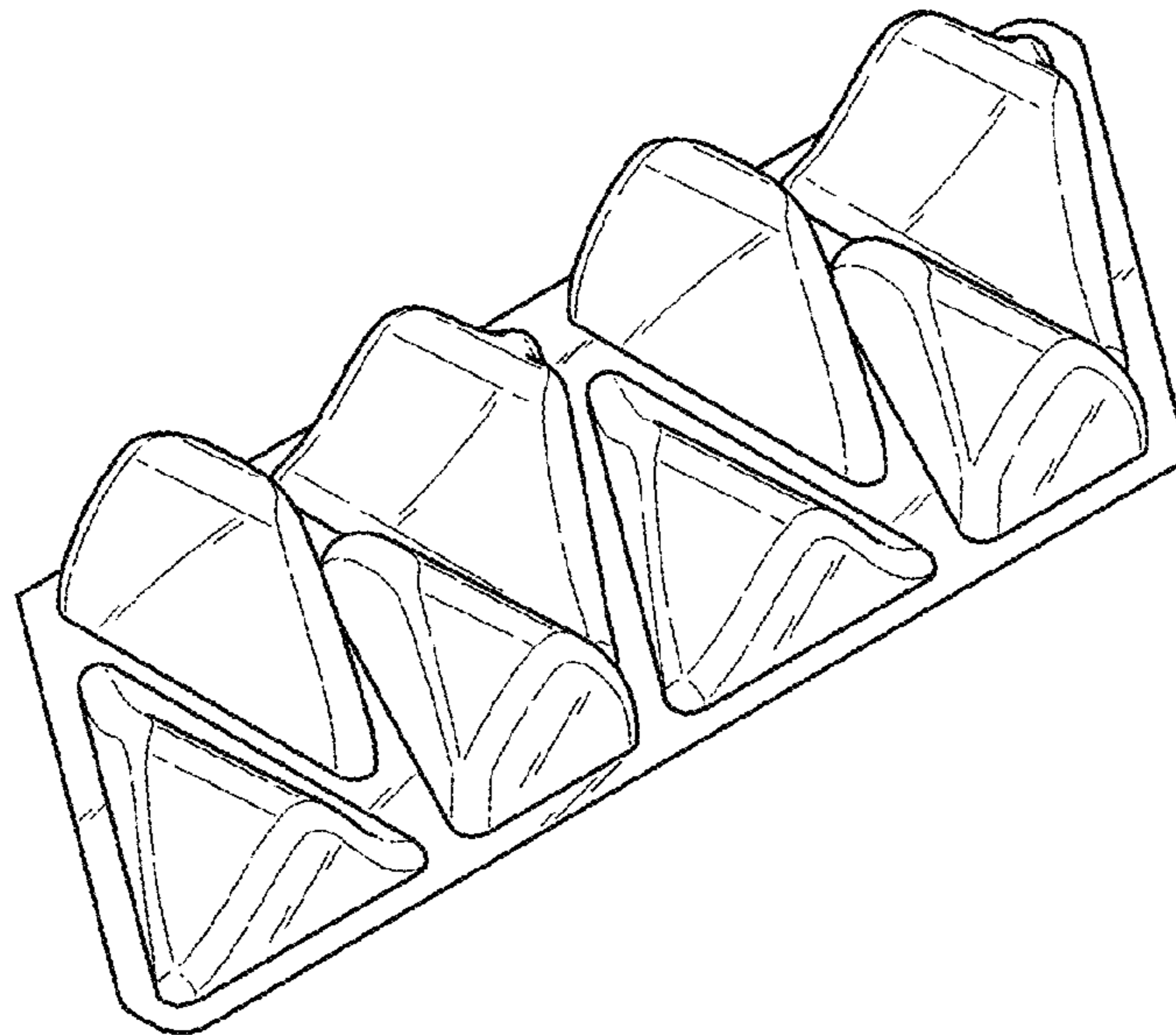
(57) **CLAIM**

The ornamental design for set of capsules containing washing products, as shown and described.

DESCRIPTION

FIG. 1 is a perspective view of our set of capsules containing washing products;
FIG. 2 is a left side elevational view thereof;
FIG. 3 is a right side elevational view thereof;
FIG. 4 is a front elevational view thereof;
FIG. 5 is a rear elevational view thereof;
FIG. 6 is a top plan view thereof; and,
FIG. 7 is a bottom plan view thereof.

1 Claim, 2 Drawing Sheets



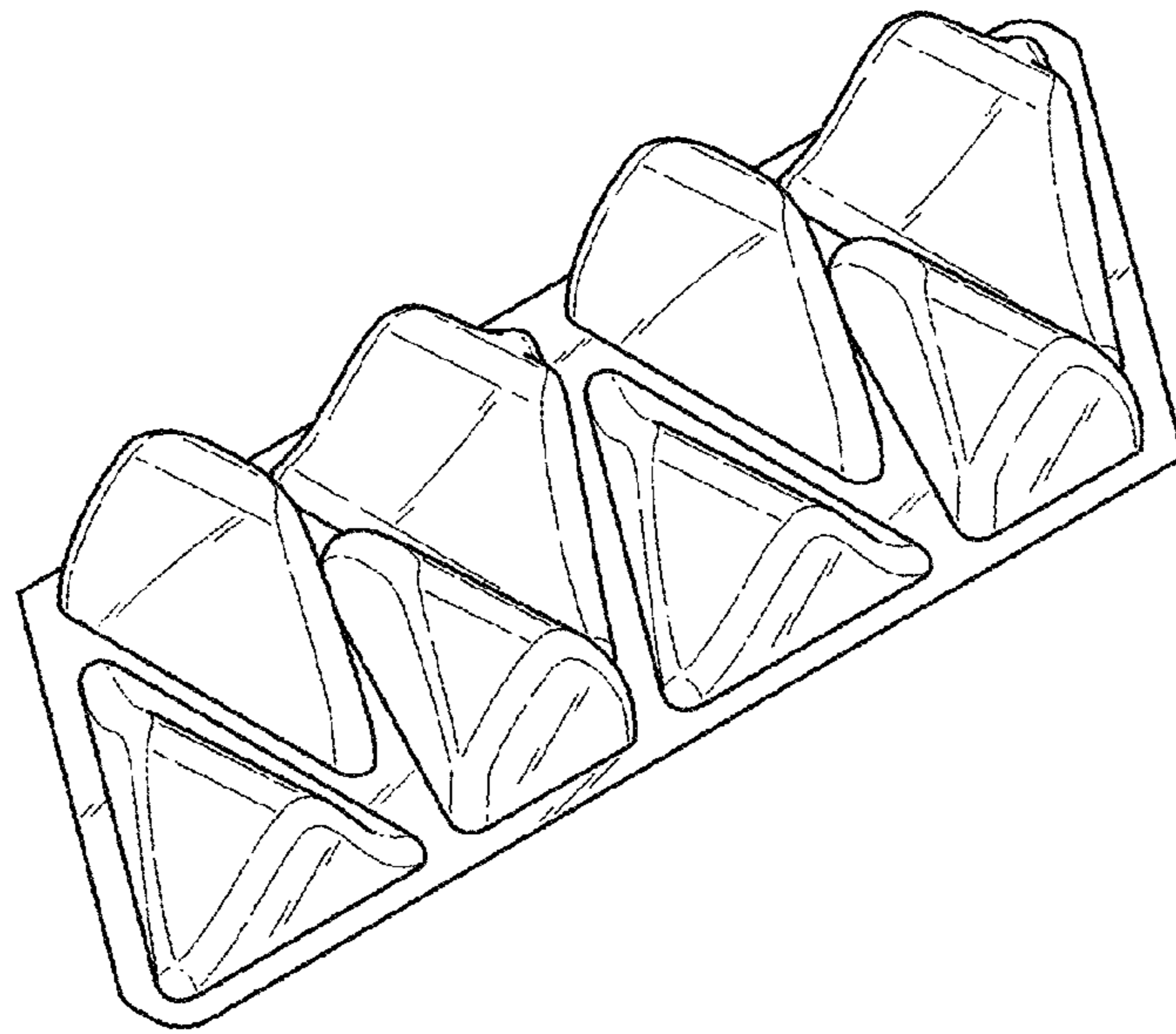


Fig. 1



Fig. 2



Fig. 3

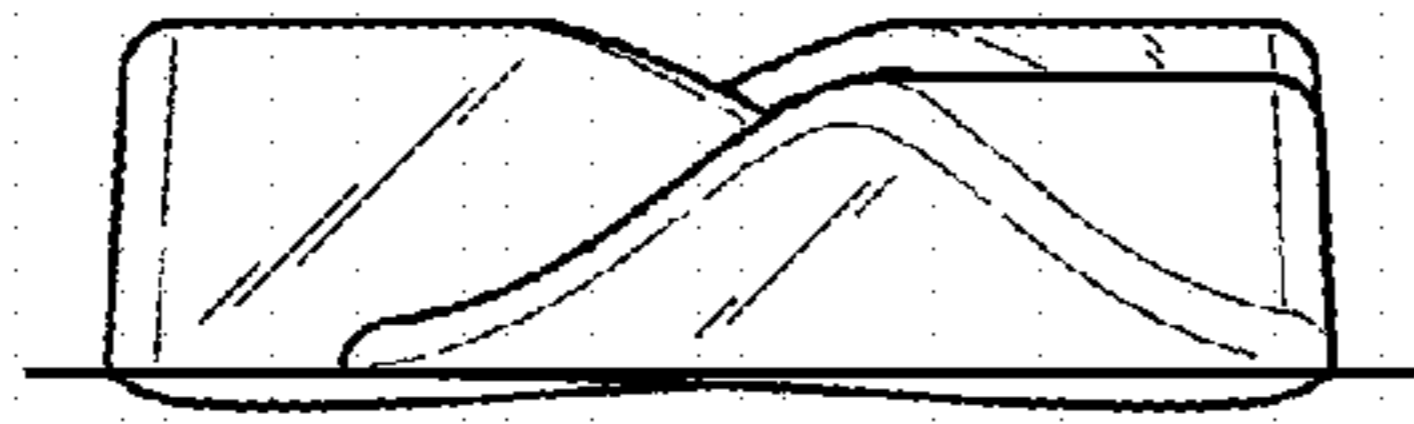


Fig. 4

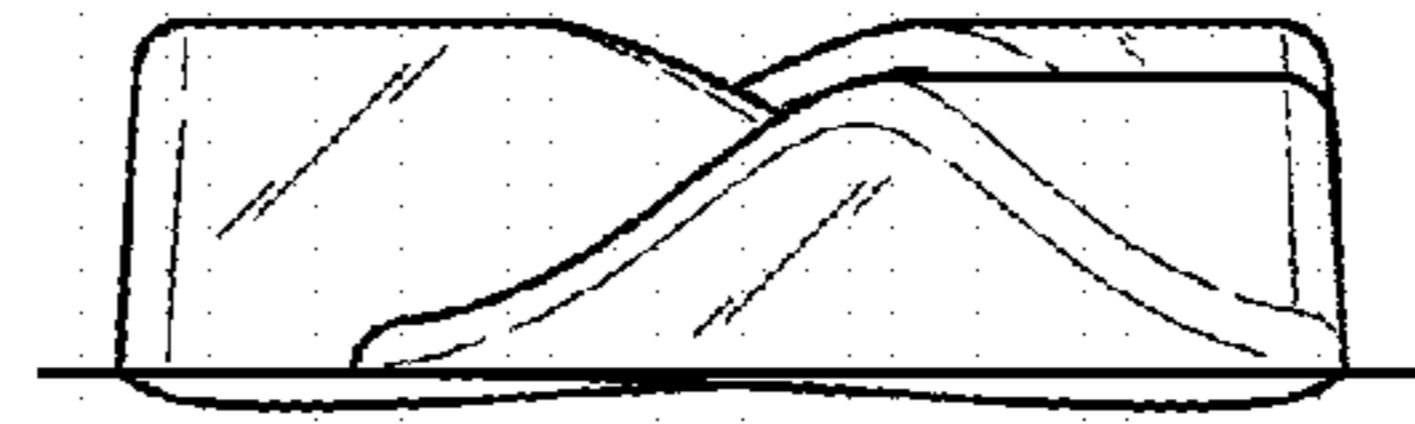


Fig. 5

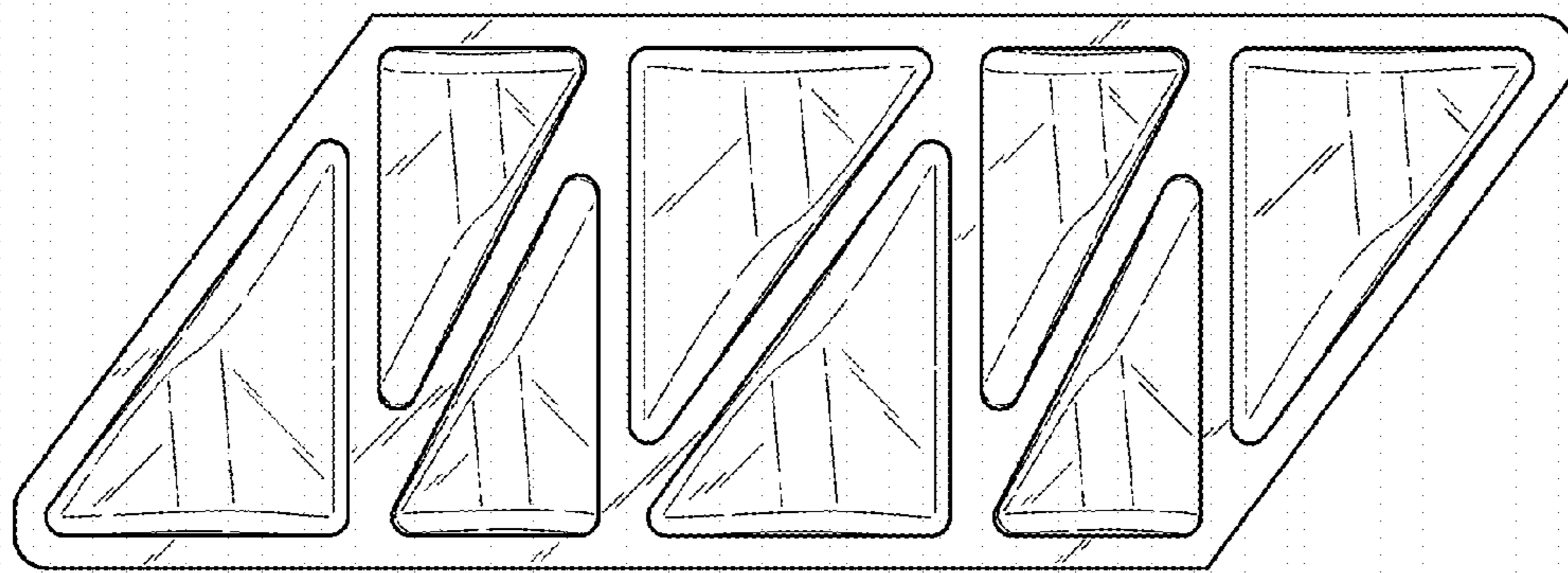


Fig. 6

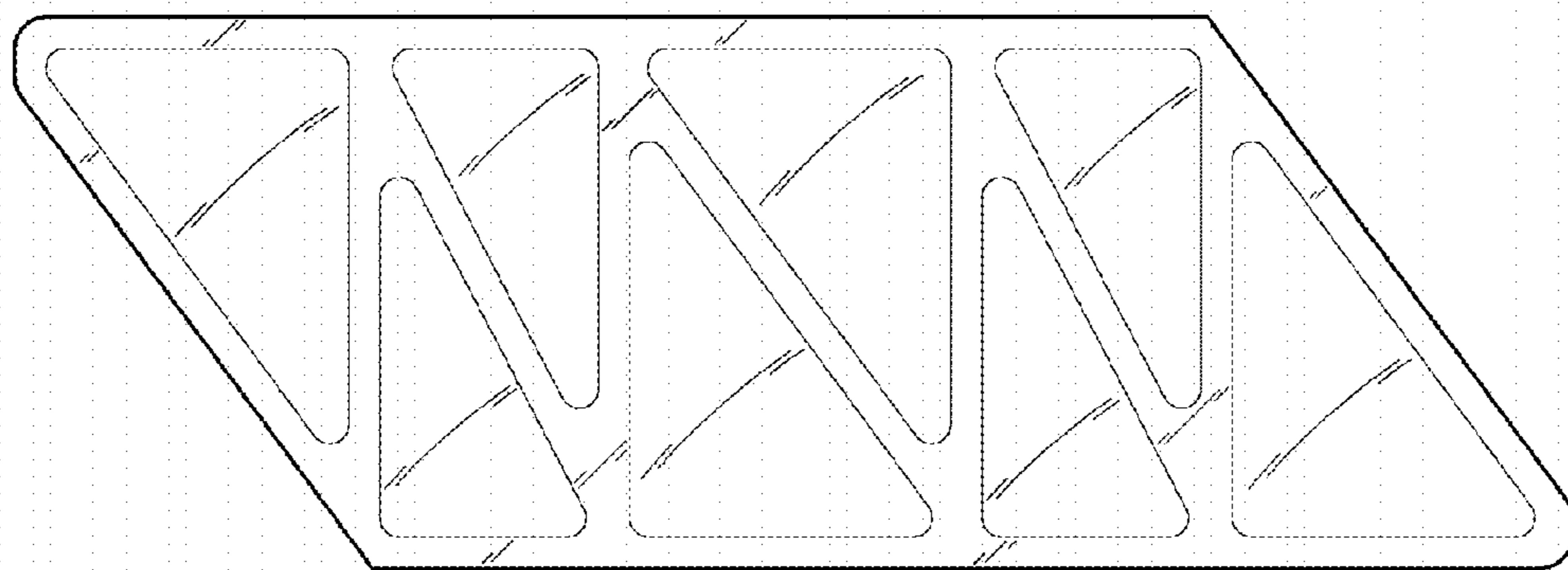


Fig. 7