



US00D680265S

(12) **United States Design Patent**  
**DeMarco et al.**

(10) **Patent No.:** **US D680,265 S**

(45) **Date of Patent:** **\*\* Apr. 16, 2013**

(54) **COSMETIC APPLICATOR TIP**

4,182,497 A 1/1980 Ferreira et al.  
4,465,073 A 8/1984 Schwob  
4,470,715 A 9/1984 Reuchlin et al.  
(Continued)

(75) Inventors: **Anthony DeMarco**, Mahwah, NJ (US);  
**Christopher Tarling**, New York, NY  
(US); **Timothy Thorpe**, Santa Monica,  
CA (US); **Janet Pardo**, New York, NY  
(US); **Gary Montalbano**, Matawan, NJ  
(US)

FOREIGN PATENT DOCUMENTS

CN 2606543 Y 3/2004  
CN 1499988 A 5/2004  
(Continued)

(73) Assignee: **HCT Packaging, Inc.**, Bridgewater, NJ  
(US)

OTHER PUBLICATIONS

“Blistex—Lip Splash, Rolling Tip Applicator, Lip Moisturizer, SPF  
For Your Lips, Dermat . . .”, retrieved from the internet on May 10,  
2007 at <<[http://www.blistex.eu/whats\\_new.htm](http://www.blistex.eu/whats_new.htm)>>, 1 page.

(\*\*) Term: **14 Years**

(Continued)

(21) Appl. No.: **29/429,587**

(22) Filed: **Aug. 14, 2012**

Primary Examiner — Zenia Bennett

(51) **LOC (9) Cl.** ..... **28-02**

(74) *Attorney, Agent, or Firm* — Lee & Hayes, PLLC

(52) **U.S. Cl.**  
USPC ..... **D28/7**

(57) **CLAIM**

The ornamental design for a cosmetic applicator tip, as shown  
and described.

(58) **Field of Classification Search** ..... D28/7,  
D28/8, 20–22, 30–31, 76, 85, 99; 132/108,  
132/202, 208, 317.32; 401/202–207, 261–267;  
D4/132–135; D24/119; D9/448  
See application file for complete search history.

**DESCRIPTION**

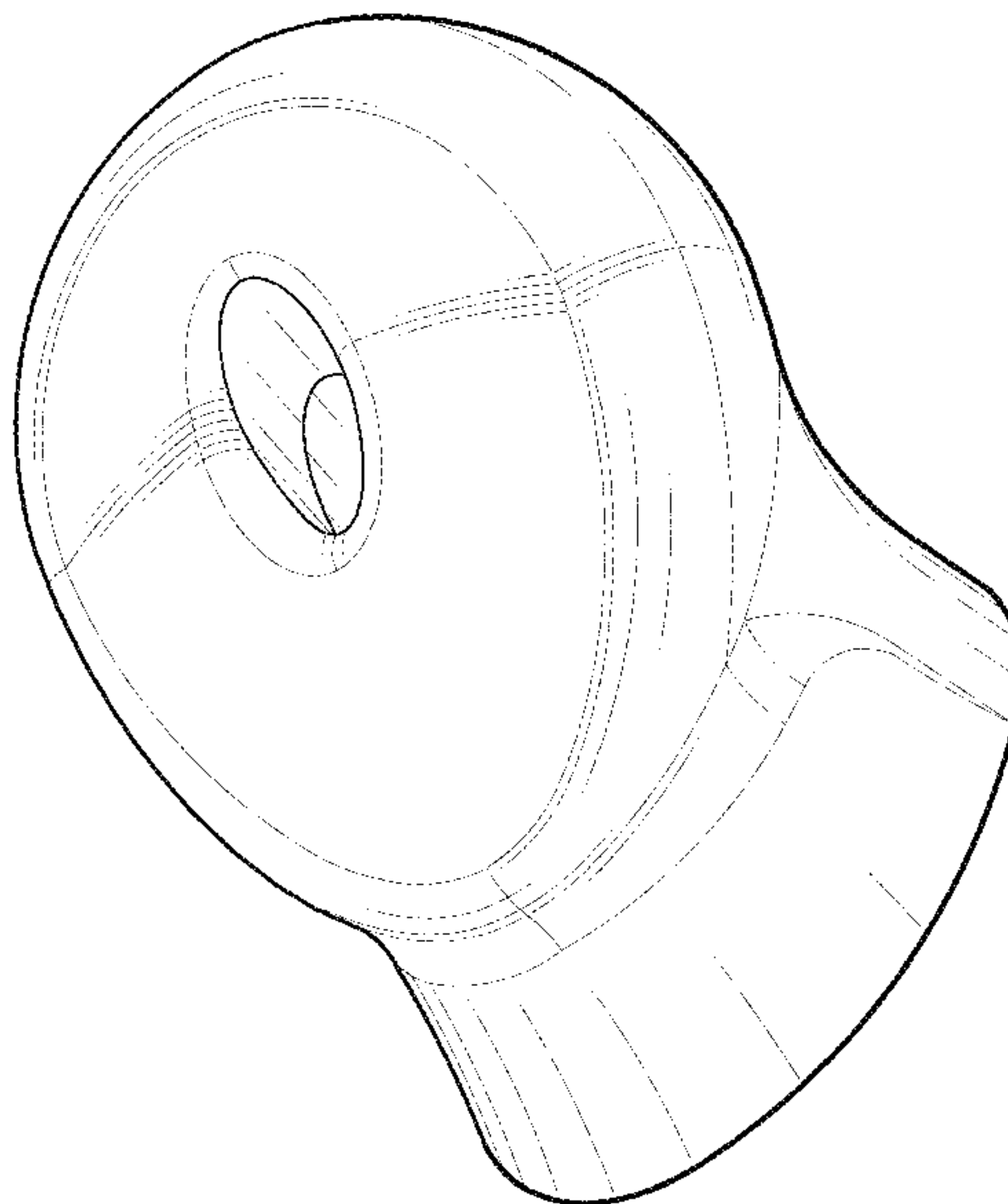
FIG. 1 is a perspective view of a cosmetic applicator tip;  
FIG. 2 is a top plan view of the cosmetic applicator tip of FIG.  
1;  
FIG. 3 is a front elevation view of the cosmetic applicator tip  
of FIG. 1;  
FIG. 4 is a right-side elevation view of the cosmetic applicator  
tip of FIG. 1, the left-side elevation view being a mirror image  
of the right-side;  
FIG. 5 is a bottom plan view of the cosmetic applicator tip of  
FIG. 1; and,  
FIG. 6 is a back elevation view of the cosmetic applicator tip  
of FIG. 1.  
The broken lines are directed to unclaimed portions and form  
no part of the claimed design.

(56) **References Cited**

U.S. PATENT DOCUMENTS

2,600,426 A 6/1952 Paul  
2,755,968 A 7/1956 Fiant  
2,982,987 A 5/1961 Knapp  
3,602,601 A 8/1971 Zenger et al.  
3,644,707 A 2/1972 Costello  
3,710,985 A 1/1973 Baum  
3,774,231 A 11/1973 Tullos  
3,891,827 A 6/1975 Wyse  
4,029,422 A 6/1977 Pillsbury  
4,056,707 A 11/1977 Farnam

**1 Claim, 4 Drawing Sheets**



# US D680,265 S

## U.S. PATENT DOCUMENTS

4,511,427	A	4/1985	Karliner et al.	
4,551,038	A	11/1985	Baker et al.	
4,592,745	A	6/1986	Rex et al.	
4,602,741	A	7/1986	Faulkner, III et al.	
4,704,088	A	11/1987	Newman	
4,708,267	A	11/1987	Sieverding et al.	
4,874,117	A	10/1989	Kay et al.	
4,880,326	A	11/1989	Spivey et al.	
D307,191	S *	4/1990	Blutenthal	D28/7
5,025,960	A	6/1991	Seager	
5,180,244	A	1/1993	Hirose	
5,316,196	A	5/1994	Reich	
5,531,763	A	7/1996	Mastri et al.	
5,626,472	A	5/1997	Pennetta	
5,951,185	A	9/1999	Kingsford et al.	
6,009,887	A	1/2000	Hertel	
6,027,272	A	2/2000	Spencer et al.	
6,102,518	A	8/2000	Taylor	
6,261,014	B1	7/2001	Altobellis et al.	
6,402,411	B2	6/2002	Spencer et al.	
6,565,523	B1	5/2003	Gabourie	
6,669,389	B2	12/2003	Gueret	
7,082,970	B2	8/2006	Bartholomew et al.	
7,083,347	B2	8/2006	Marcotte et al.	
D555,831	S *	11/2007	Chan	D28/7
7,306,442	B2	12/2007	Fox	
7,785,026	B2 *	8/2010	Eng et al.	401/37
7,883,287	B2	2/2011	Thorpe	
7,959,369	B2	6/2011	Gueret	
D653,805	S *	2/2012	Tani	D28/7
2002/0029859	A1	3/2002	Weaver	
2002/0082625	A1	6/2002	Huxel et al.	
2002/0121239	A1	9/2002	Tonazzi et al.	
2002/0166631	A1	11/2002	Dewitt	
2002/0185396	A1	12/2002	Mainwaring et al.	
2003/0060925	A1	3/2003	Bartholomew et al.	
2003/0129363	A1	7/2003	Hoeft et al.	
2003/0171762	A1	9/2003	Forchette et al.	
2003/0231924	A1 *	12/2003	Libman et al.	401/266
2004/0127952	A1	7/2004	O'Phelan et al.	

2004/0190975	A1	9/2004	Goodman et al.	
2004/0211789	A1	10/2004	Osborn et al.	
2005/0047848	A1 *	3/2005	Carraher	401/266
2005/0175786	A1	8/2005	Singh et al.	
2005/0197268	A1	9/2005	Buskirk et al.	
2006/0039742	A1	2/2006	Cable, Jr. et al.	
2006/0049203	A1	3/2006	Boone et al.	
2006/0198686	A1 *	9/2006	Hetzel	401/47
2006/0216104	A1	9/2006	Bouix et al.	
2006/0216256	A1	9/2006	Giniger et al.	
2007/0116509	A1 *	5/2007	Lin	401/266
2007/0186951	A1	8/2007	Gueret	
2008/0166172	A1 *	7/2008	Eng et al.	401/37

## FOREIGN PATENT DOCUMENTS

CN	200941885	Y	9/2007
EP	0181184	A2	5/1986
JP	2000279870	A	10/2000

## OTHER PUBLICATIONS

Translated copy of the Chinese Office Action mailed Mar. 29, 2011 for Chinese Patent Application No. 200710188771.8, a counterpart foreign application of US Patent No. 7,883,287, 11 pages.  
 "Cosmogen Innovation in Progress," retrieved on Jun. 20, 2008, 1 page.  
 Translated copy of the Japanese Office Action mailed May 27, 2011 for Japanese Patent Application No. 2008-123531, a counterpart foreign application of US patent No. 7,883,287, 3 pages.  
 Translated copy of the Korean Office Action mailed Jun. 9, 2011 for Korean patent application No. 10/2008/43257, a counterpart foreign application of US patent No. 7,883,287, 5 pages.  
 Translated copy of the Korean Office Action mailed Sep. 29, 2011 for Korean patent application No. 10-2008-43257, a counterpart foreign application of US patent No. 11/747,078, 6 pages.  
 Non-Final Office Action for U.S. Appl. No. 13/022,193, mailed on May 21, 2012, Timothy Thorpe, "Dispenser With Thermal Storage Tip," 10 pages.

\* cited by examiner

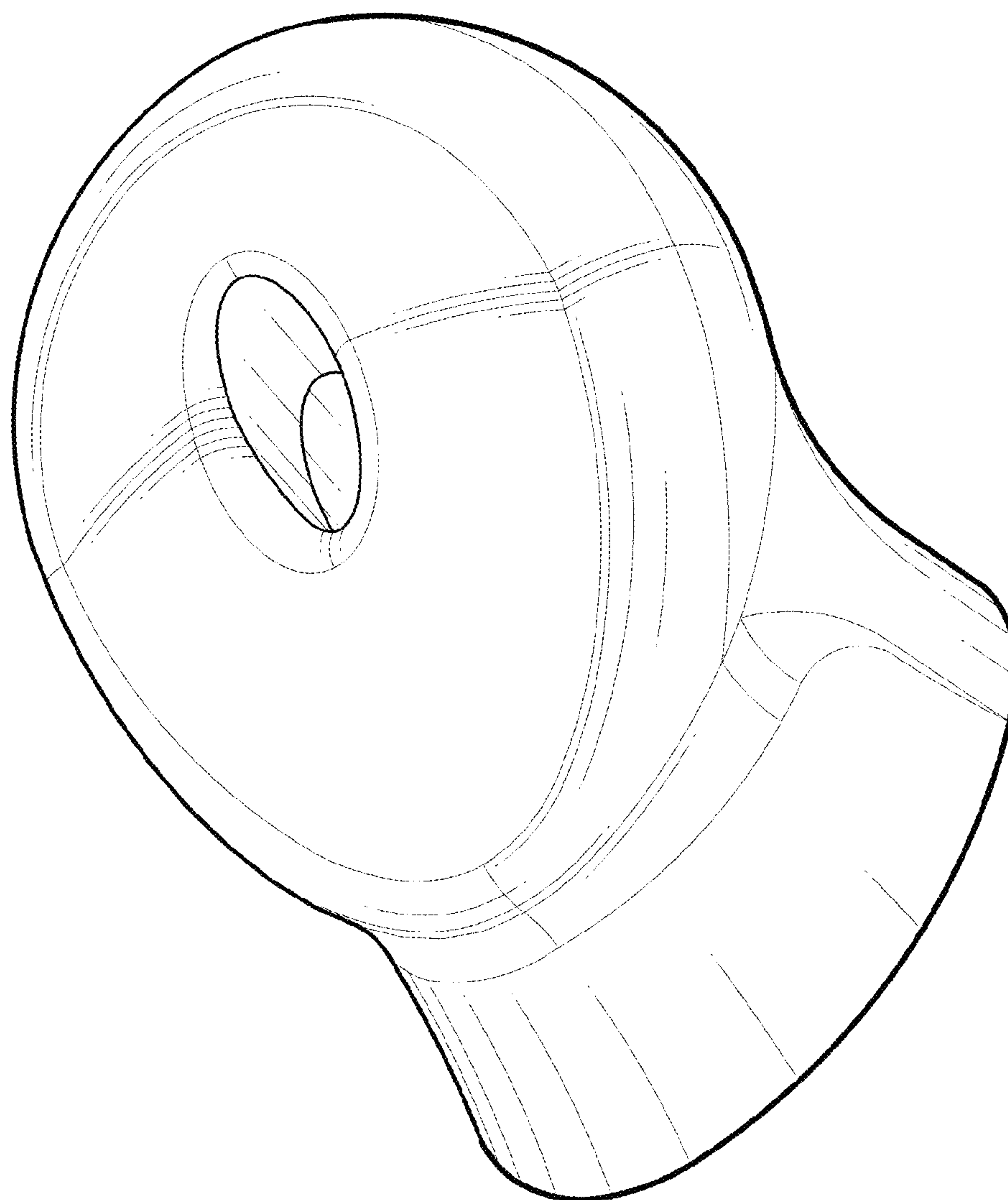


FIG. 1



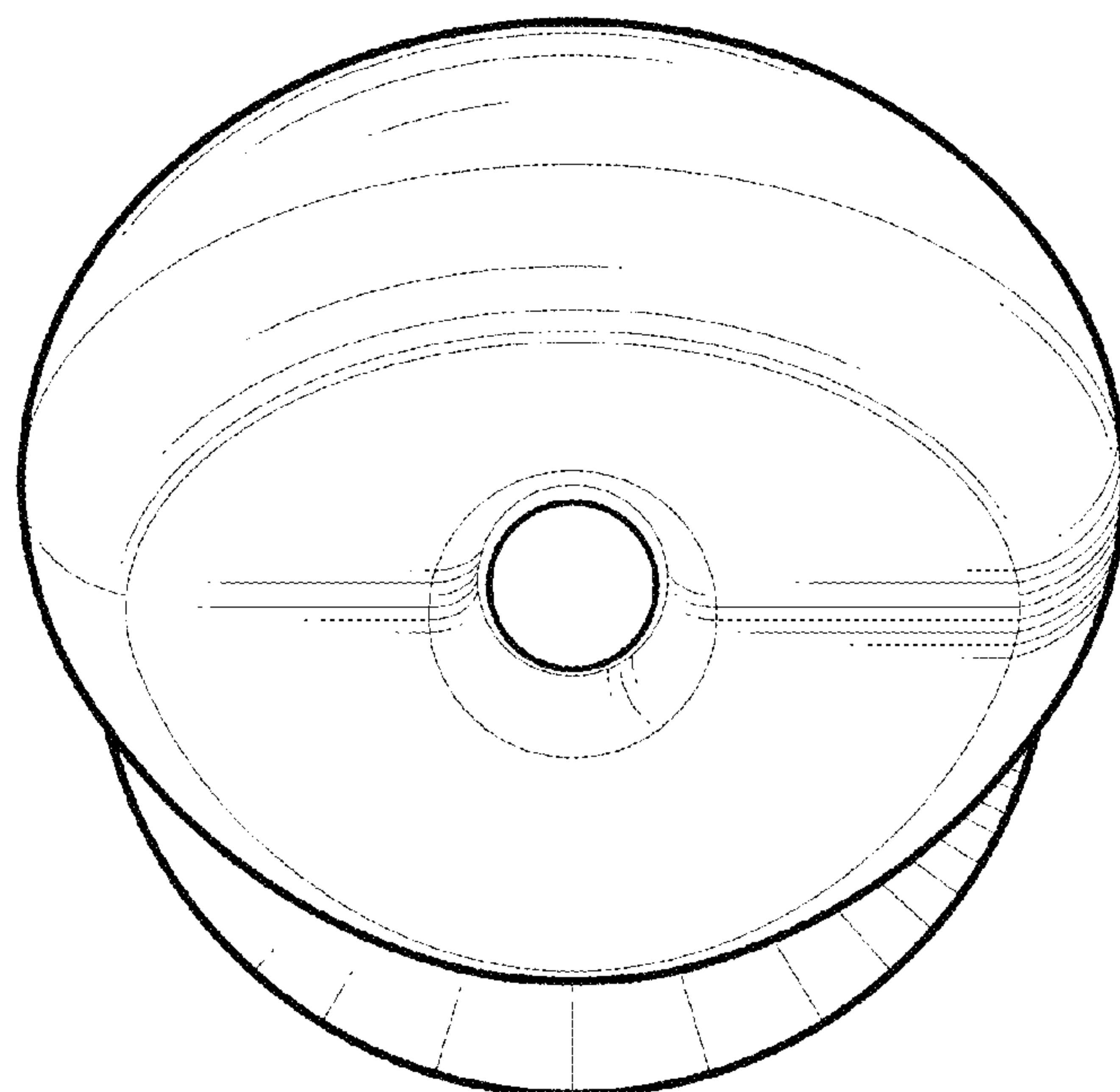


FIG. 2

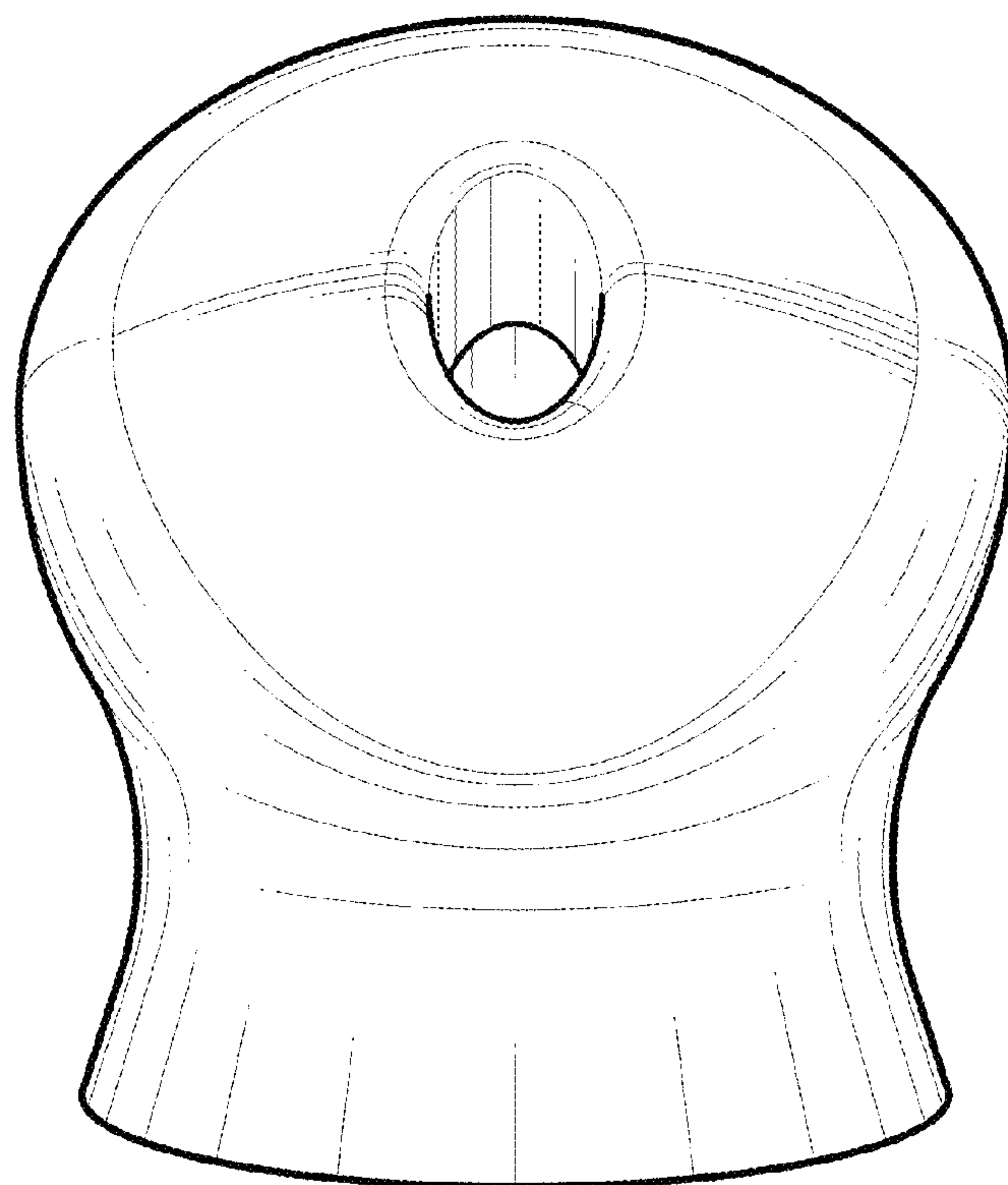


FIG. 3

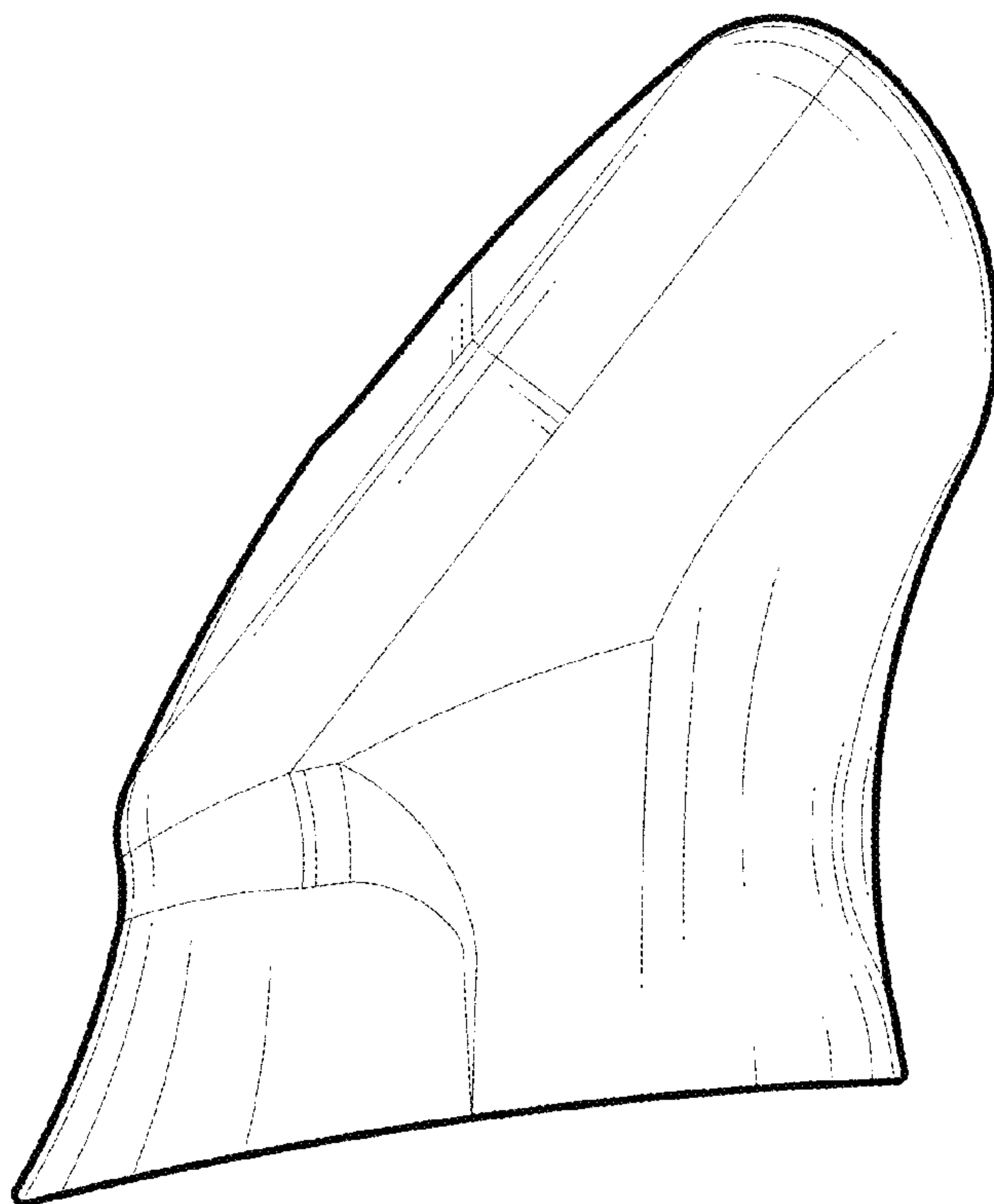


FIG. 4

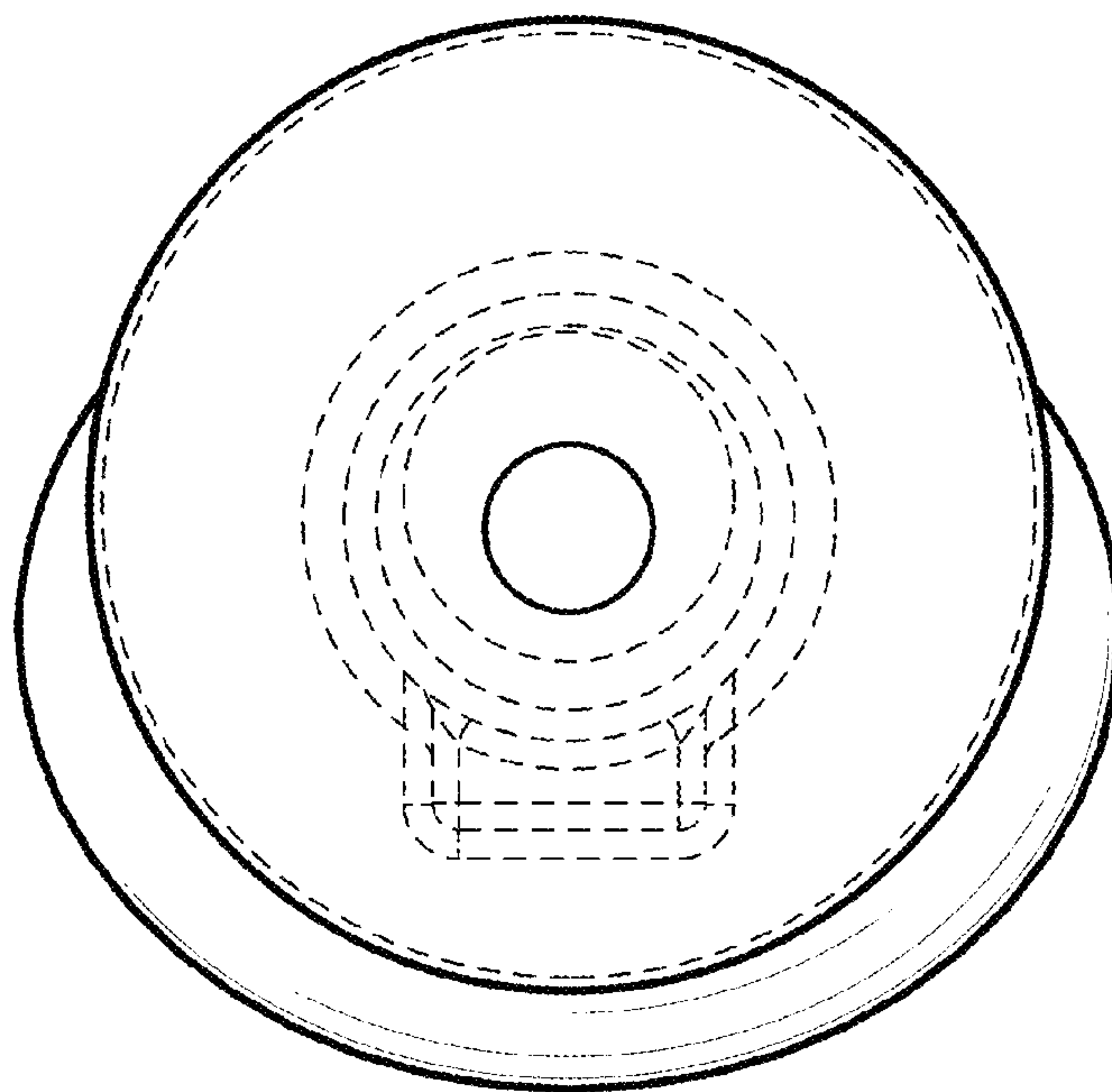


FIG. 5

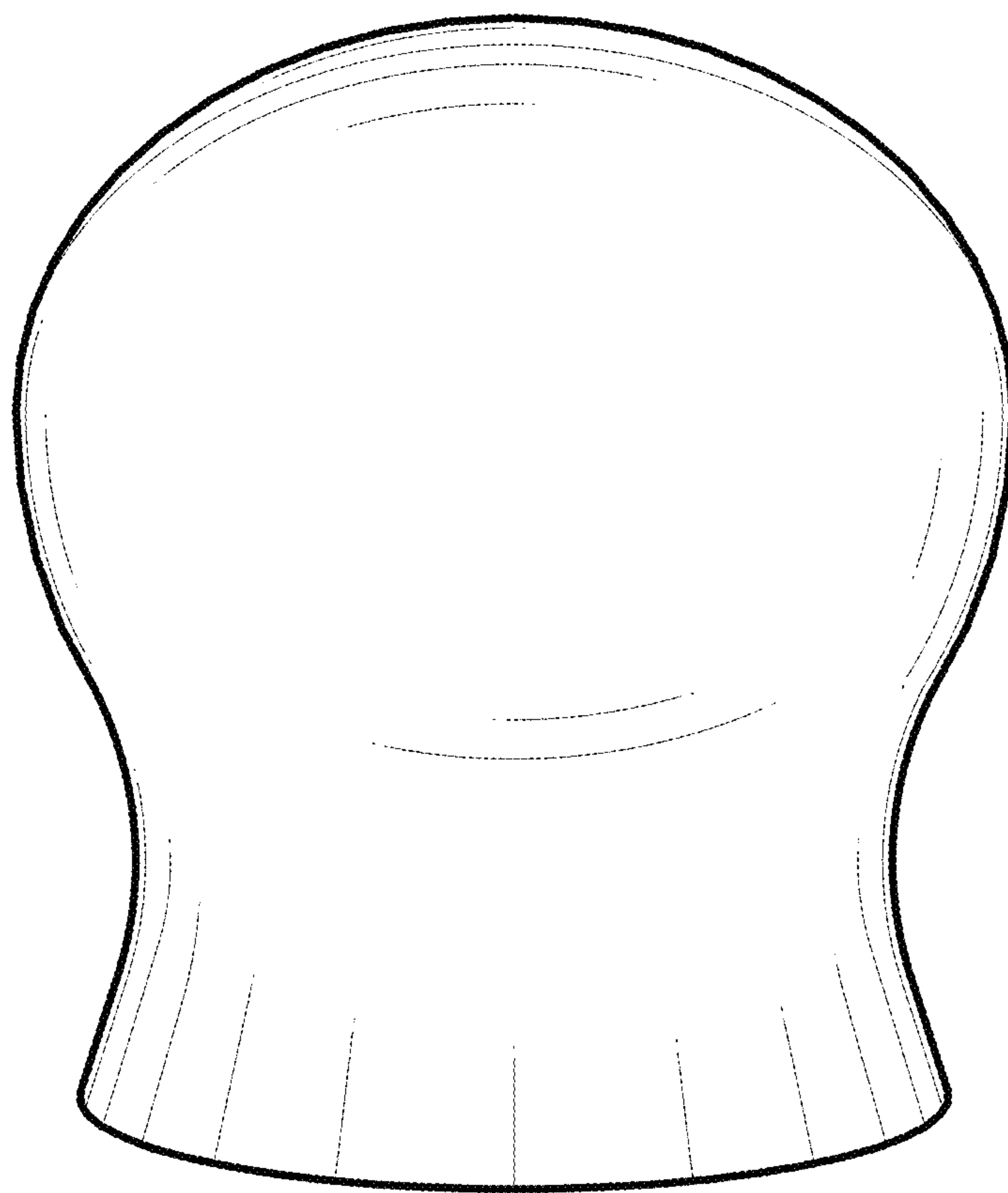


FIG. 6