



US00D680262S

(12) **United States Design Patent**
Mansfield

(10) **Patent No.:** **US D680,262 S**
(45) **Date of Patent:** **** Apr. 16, 2013**

- (54) **LIGHTER-HOLDER APPARATUS**
- (71) Applicant: **Zachary Mansfield**, Paso Robles, CA (US)
- (72) Inventor: **Zachary Mansfield**, Paso Robles, CA (US)
- (**) Term: **14 Years**
- (21) Appl. No.: **29/434,190**
- (22) Filed: **Oct. 10, 2012**

5,462,212 A *	10/1995	Hertel, Jr.	224/570
D376,973 S *	12/1996	Brown	D8/395
5,806,669 A *	9/1998	Kim	206/228
D417,612 S *	12/1999	Jones	D8/395
D443,387 S *	6/2001	Torres et al.	D27/161
6,430,782 B1 *	8/2002	Torres et al.	24/3.1
D471,316 S *	3/2003	Budde	D27/161
D482,489 S *	11/2003	Gary et al.	D26/138

(Continued)

Primary Examiner — Kevin Rudzinski
(74) *Attorney, Agent, or Firm* — Fitch, Even, Tabin & Flannery LLP

Related U.S. Application Data

- (63) Continuation-in-part of application No. 12/835,507, filed on Jul. 13, 2010.
- (51) **LOC (9) Cl.** **27-05**
- (52) **U.S. Cl.**
USPC **D27/161**
- (58) **Field of Classification Search** D27/106,
D27/136, 133, 134, 135, 102, 103, 104, 105,
D27/137, 161, 163, 160, 166, 167, 168, 181,
D27/183, 162, 169, 180, 165, 164, 182, 184,
D27/185, 186, 187, 188, 189, 190; 131/235.1,
131/241, 248, 231, 240.1, 236, 256, 175,
131/173; D9/432, 423; 248/230.8; 431/146,
431/254, 252, 277, 255, 153, 356
See application file for complete search history.

(56) **References Cited**

U.S. PATENT DOCUMENTS

D156,593 S *	12/1949	Angerer	D27/183
D206,312 S *	11/1966	Roberts	D27/183
3,521,332 A *	7/1970	Kramer	403/188
4,334,642 A *	6/1982	Reisch	224/461
4,363,432 A *	12/1982	Warthen	224/247
D295,725 S *	5/1988	Shioda	D8/396
D303,159 S *	8/1989	Heath	D27/172
D363,017 S *	10/1995	Noble	D8/395
D363,211 S *	10/1995	Noble	D8/395

(57) **CLAIM**

The ornamental design for a lighter-holder apparatus, as shown and described.

DESCRIPTION

FIG. 1 is a left side perspective view of a lighter-holder apparatus showing my new design, shown being mounted on a water pipe apparatus and holding a lighter device in conjunction with a rubber band;

FIG. 2 is a left side perspective view of the lighter-holder apparatus of FIG. 1, the right side perspective view being a mirror image;

FIG. 3 is a left side elevation view of the lighter-holder apparatus of FIG. 1, the right side elevation view being a mirror image;

FIG. 4 is a top plan view of the lighter-holder apparatus of FIG. 1, the bottom plan view being a mirror image;

FIG. 5 is a front elevation view of the lighter-holder apparatus of FIG. 1; and,

FIG. 6 is a rear elevation view of the lighter-holder apparatus of FIG. 1.

The features shown in broken lines in FIG. 1, specifically, the water pipe apparatus, lighter, and rubber band are shown for the purpose of illustrating an environment where the claimed design is used and form no part of the claimed design.

1 Claim, 3 Drawing Sheets

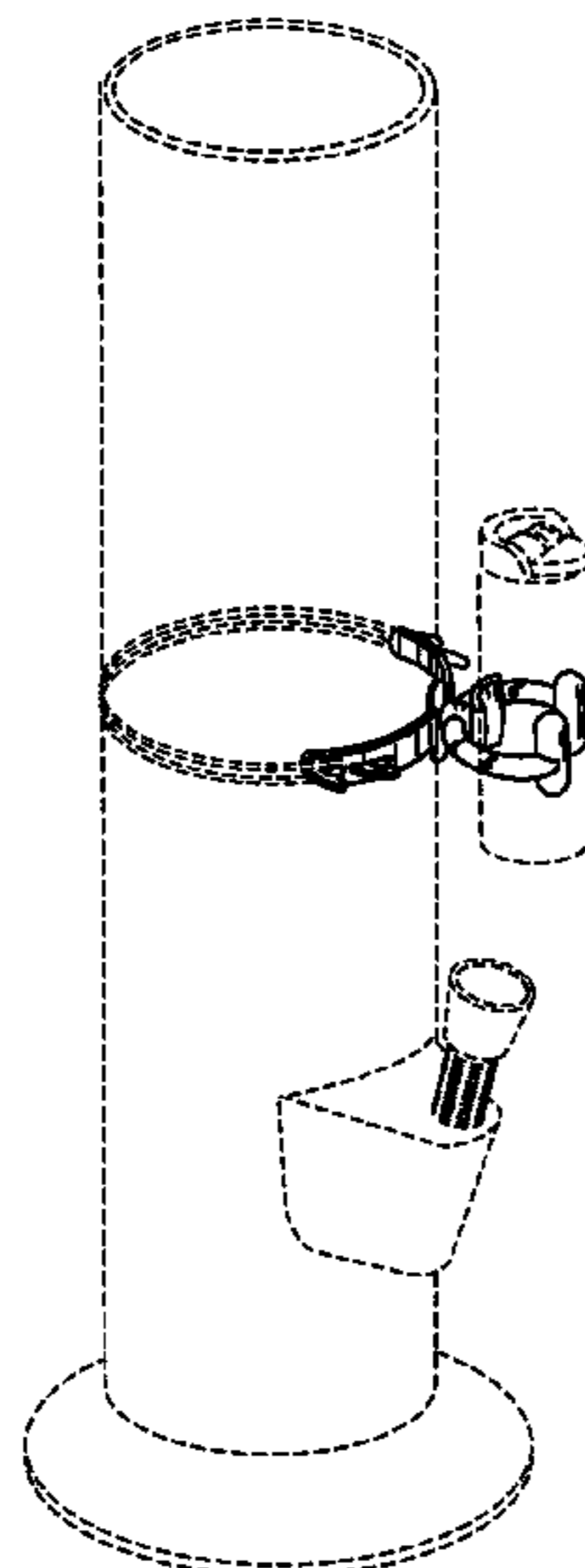


FIG. 1

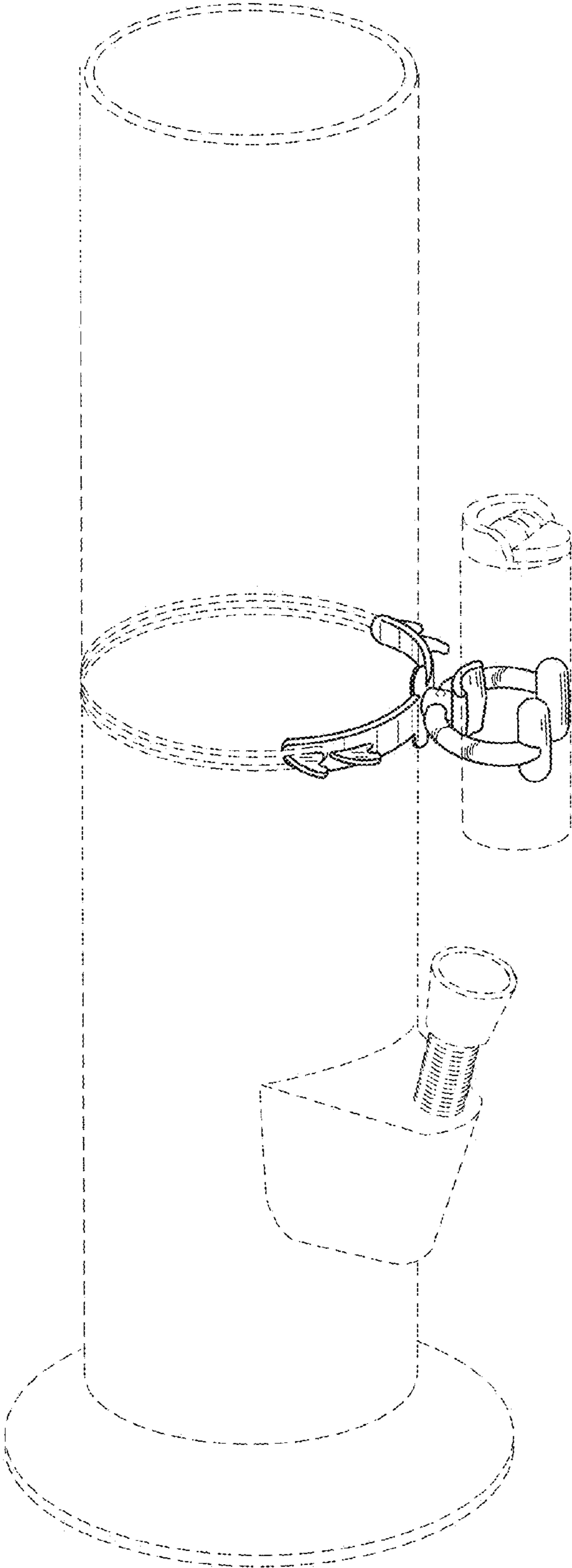


FIG. 2

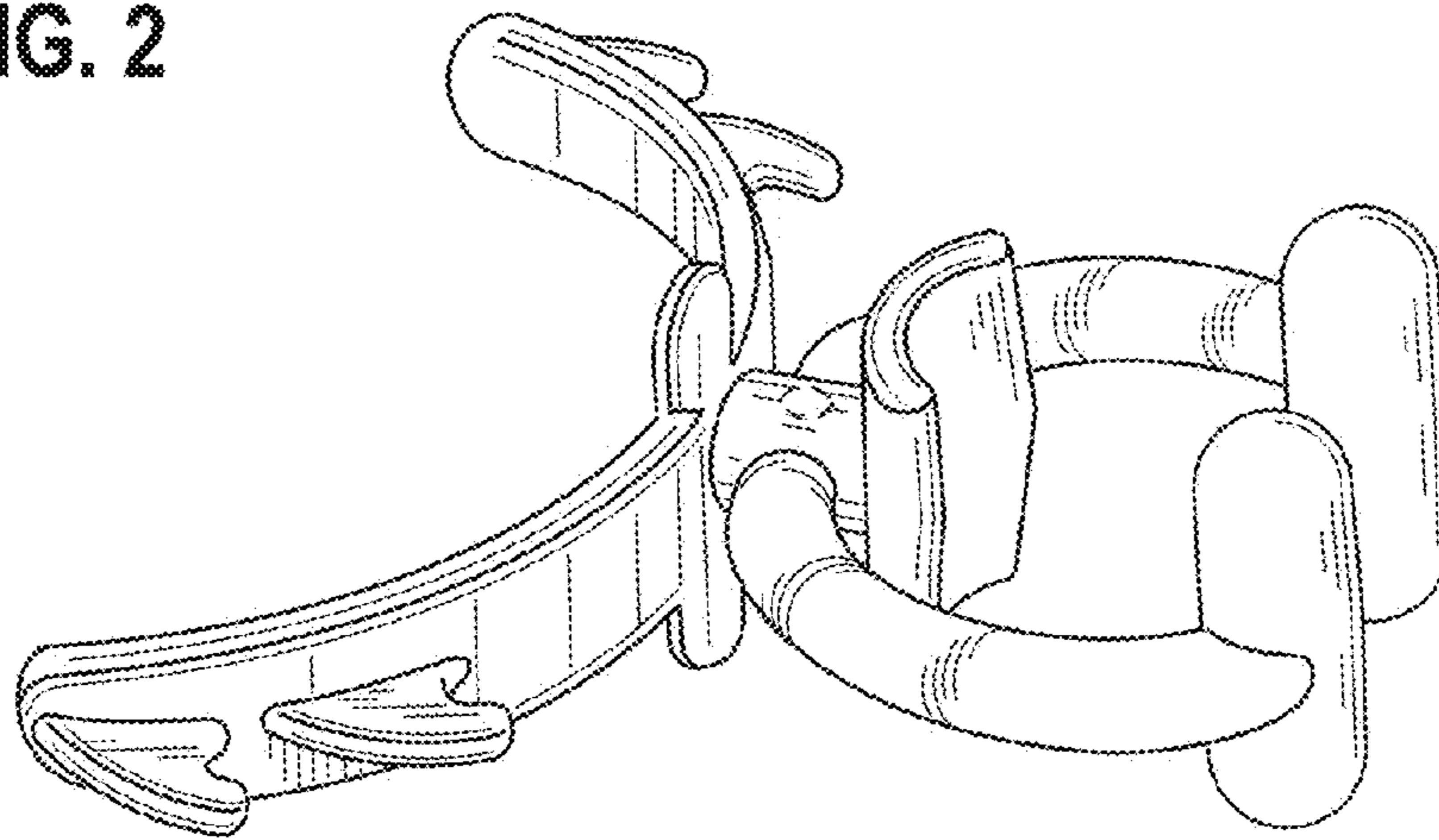


FIG. 3

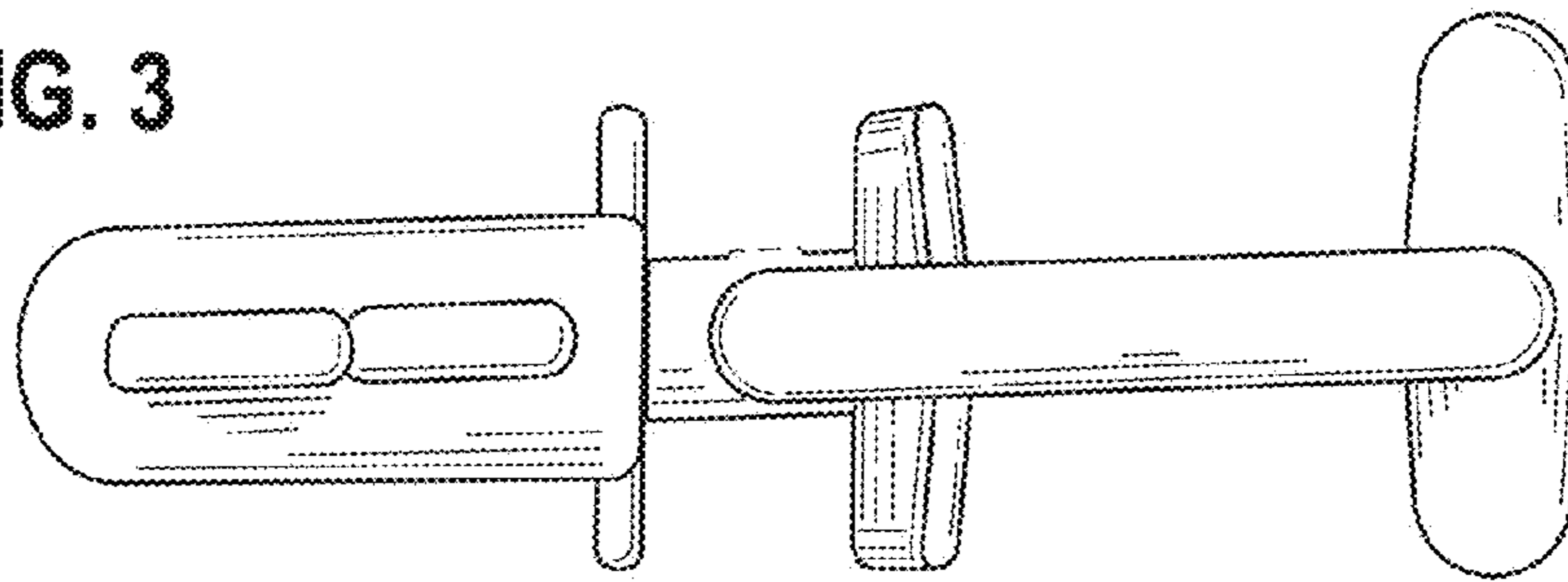


FIG. 4

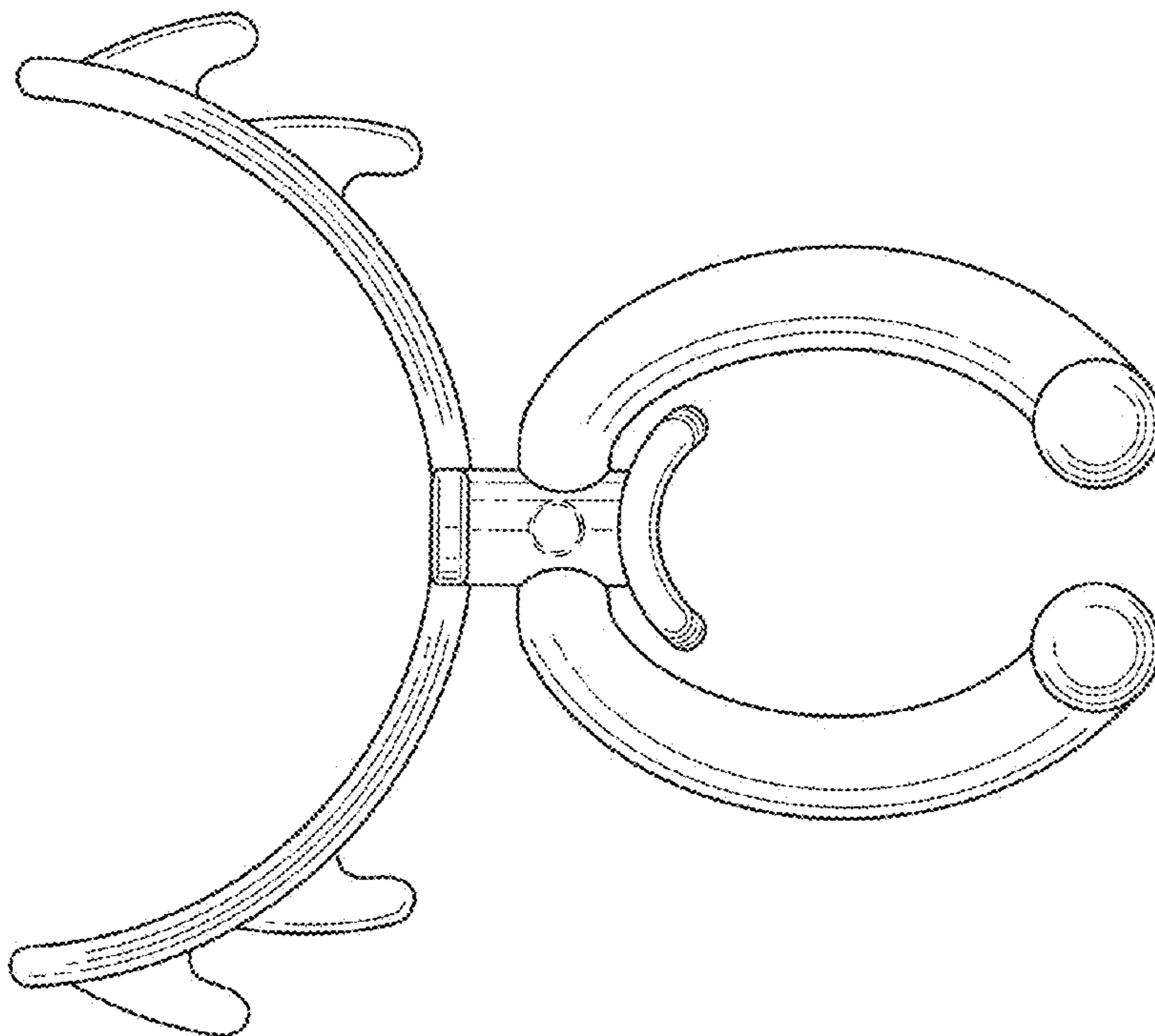


FIG. 5

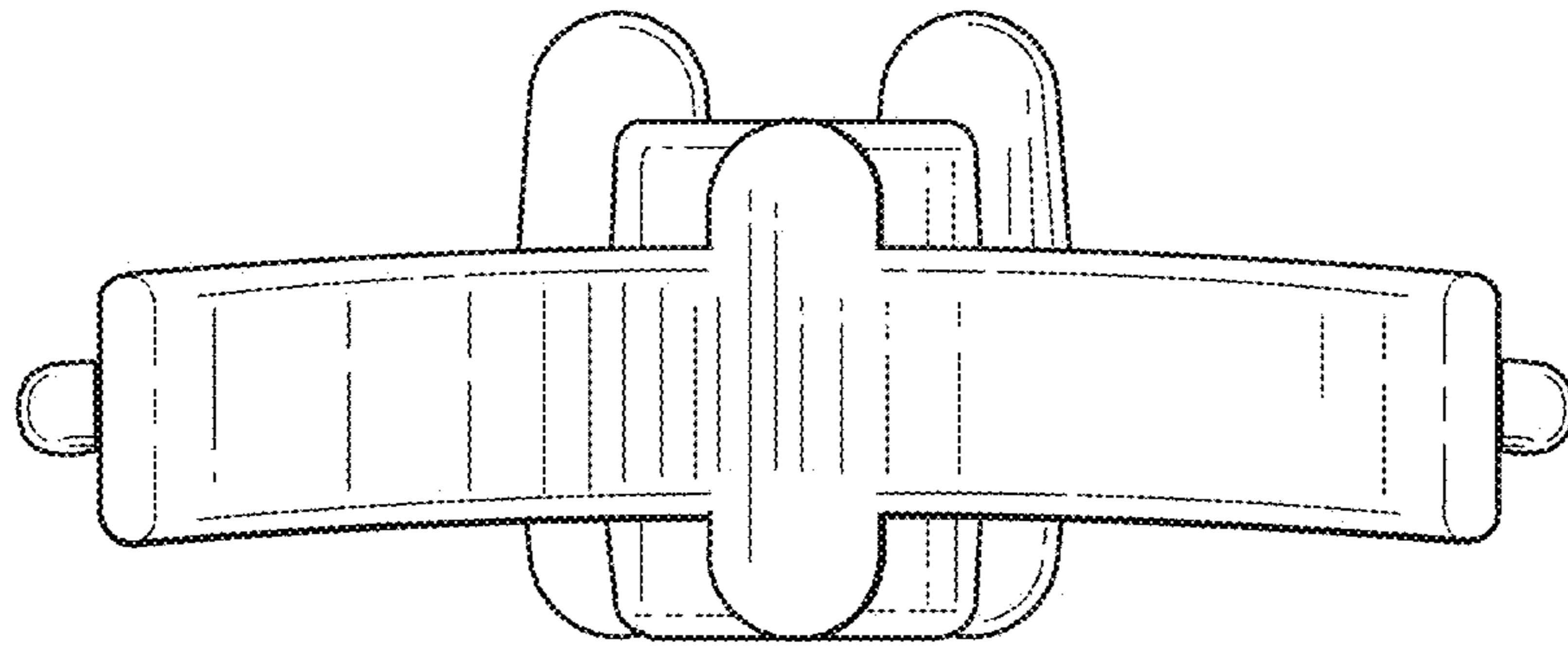


FIG. 6

