



US00D680259S

(12) **United States Design Patent**
Ahrari et al.

(10) **Patent No.:** **US D680,259 S**

(45) **Date of Patent:** **** Apr. 16, 2013**

(54) **LOW PROFILE LUMINAIRE**

(75) Inventors: **Armin Ahrari**, Glendale, CA (US);
Robert R. Nankil, Buena Park, CA (US)

(73) Assignee: **Hubbell Incorporated**, Shelton, CT
(US)

(**) Term: **14 Years**

(21) Appl. No.: **29/432,129**

(22) Filed: **Sep. 13, 2012**

Related U.S. Application Data

(62) Division of application No. 29/411,731, filed on Jan. 25, 2012, now Pat. No. Des. 670,021.

(51) **LOC (9) Cl.** **26-03**

(52) **U.S. Cl.**
USPC **D26/92**

(58) **Field of Classification Search** D26/71-92;
362/249.01-249.06, 294, 373, 431
See application file for complete search history.

(56) **References Cited**

U.S. PATENT DOCUMENTS

D204,302 S	4/1966	Pauli
D205,624 S	8/1966	Pritchett
3,358,133 A	12/1967	Hoxie et al.
3,387,866 A	6/1968	Baldwin
3,654,453 A	4/1972	Jablonski
4,028,541 A	6/1977	Franklin
D264,135 S	4/1982	Zwillich et al.
4,639,843 A	1/1987	Compton
D323,897 S	2/1992	Compton
D329,104 S	9/1992	Dieperink
D358,902 S	5/1995	Webster

D381,106 S	7/1997	Brohard et al.
D388,212 S	12/1997	Brohard et al.
D391,659 S	3/1998	Gaskins et al.
5,896,288 A	4/1999	Lecheler et al.
D437,958 S	2/2001	Doron, Jr. et al.
D439,695 S	3/2001	Compton et al.
D442,313 S	5/2001	Wojtkowiak et al.
D447,590 S	9/2001	Raouf et al.
D456,926 S	5/2002	Gaskins et al.
6,419,378 B1	7/2002	Wedell et al.
D465,050 S	10/2002	Crelin
D492,441 S	6/2004	Bradford et al.

(Continued)

OTHER PUBLICATIONS

Genesis Area Lighting System, Beacon Products, 2010.

Primary Examiner — Clare E Heflin

(74) *Attorney, Agent, or Firm* — Garrett V. Davis; Mark S. Bicks; Alfred N. Goodman

(57) **CLAIM**

The ornamental design for a low profile luminaire, as shown and described.

DESCRIPTION

FIG. 1 is a top view of the low profile luminaire of the invention;

FIG. 2 is a top perspective view of the luminaire of FIG. 1;

FIG. 3 is a front view of the luminaire of FIG. 1;

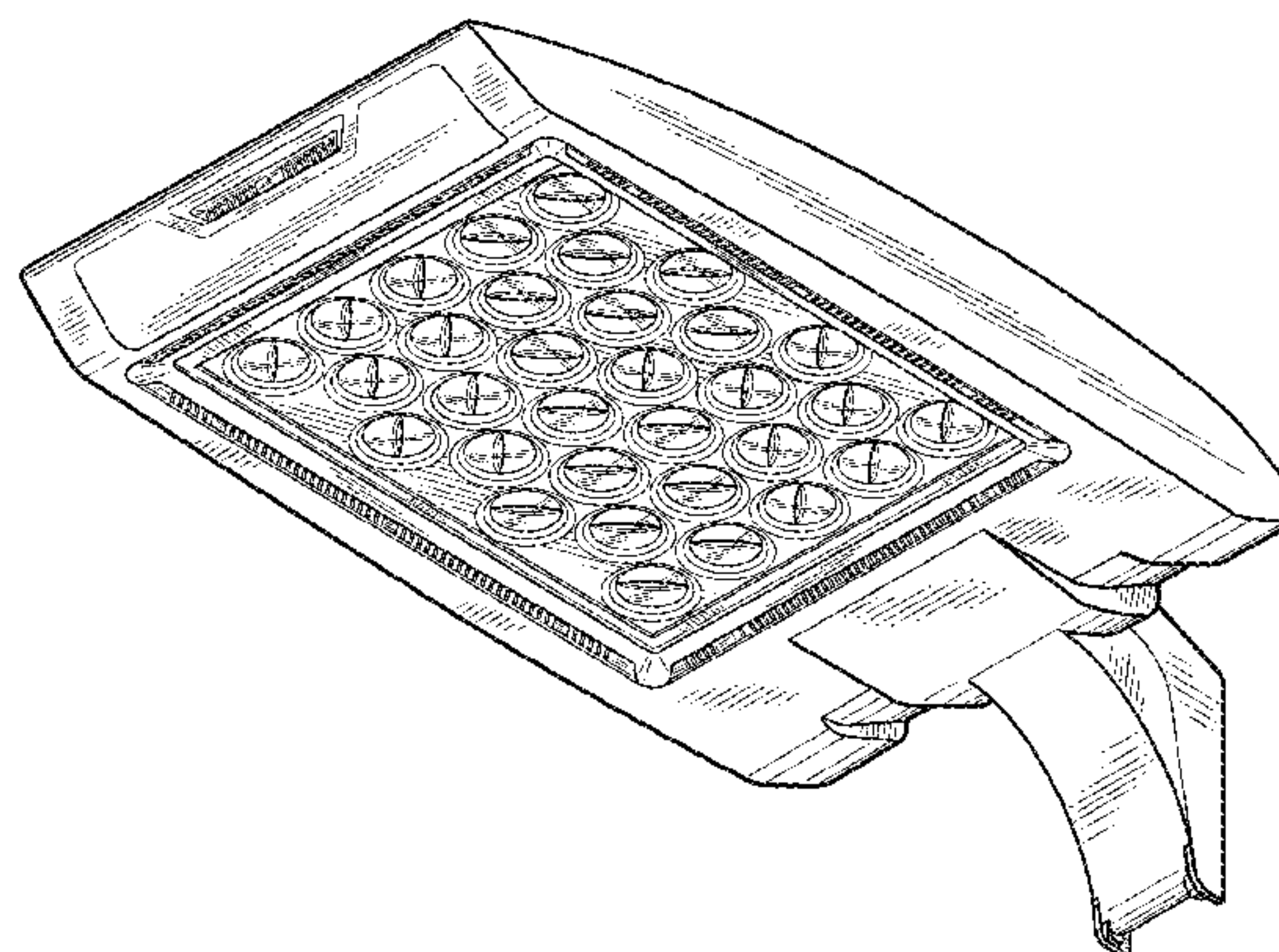
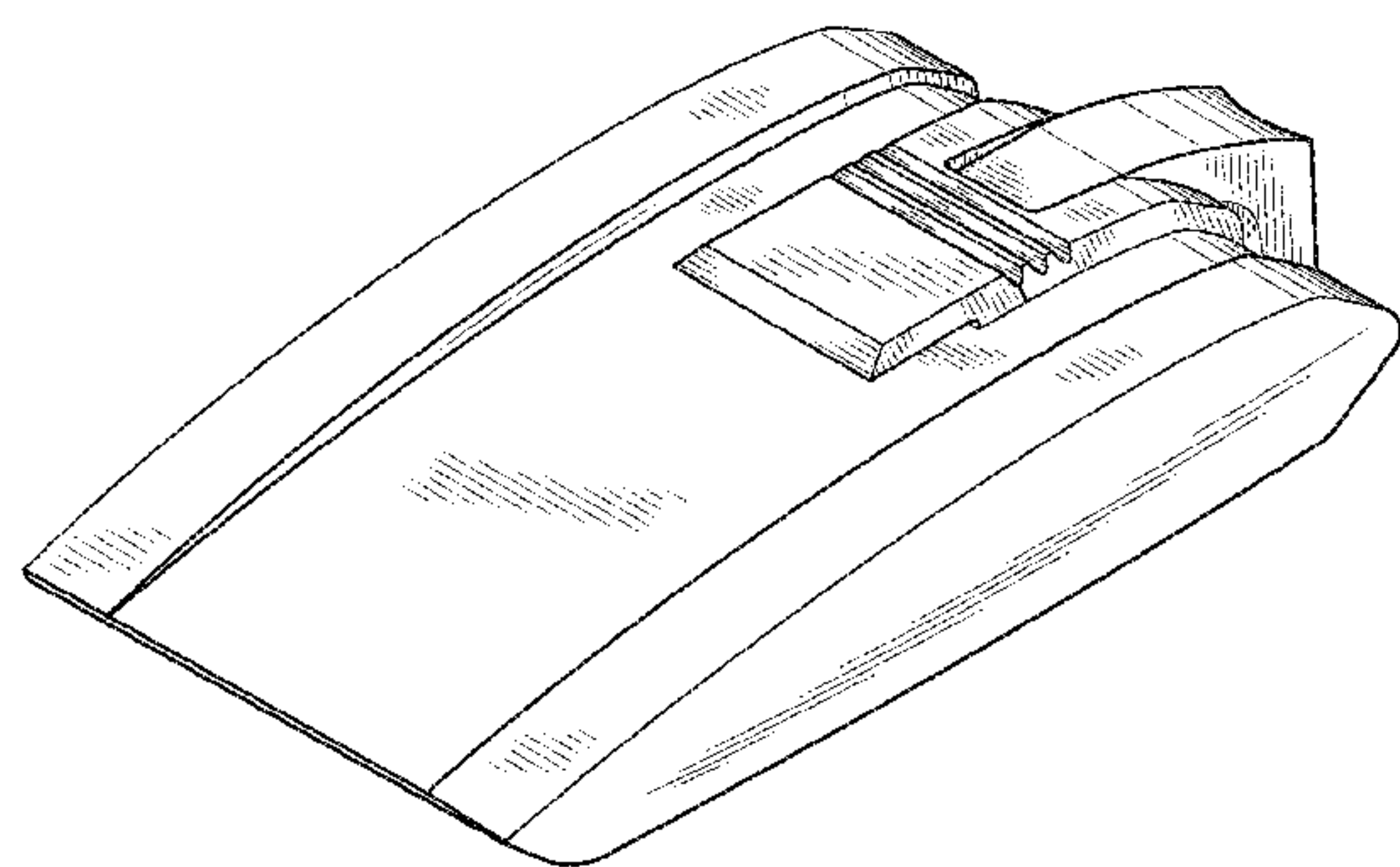
FIG. 4 is a rear view of the luminaire of FIG. 1;

FIG. 5 is a right side view of the luminaire of FIG. 1 where the left side view is a mirror image thereof;

FIG. 6 is a bottom view of the luminaire of FIG. 1; and,

FIG. 7 is a bottom perspective view of the luminaire of FIG. 1.

1 Claim, 2 Drawing Sheets



US D680,259 S

Page 2

U.S. PATENT DOCUMENTS

D500,569 S	1/2005	Butler	
D501,057 S	1/2005	Haugaard et al.	
D501,946 S	2/2005	Haugaard et al.	
D501,947 S	2/2005	Haugaard et al.	
D502,283 S	2/2005	Haugaard et al.	
D527,134 S	8/2006	Bagen	
D531,342 S	10/2006	Kauffman et al.	
D556,357 S	11/2007	Butler et al.	
D556,935 S	12/2007	Quioque et al.	
D568,521 S	5/2008	Compton	
D572,403 S	7/2008	Walker	
D576,330 S *	9/2008	Ruud et al.	D26/71
D576,332 S *	9/2008	Ruud et al.	D26/72
D595,447 S *	6/2009	Purcell	D26/85
D609,387 S	2/2010	Compton	
D612,090 S	3/2010	Yu	
D622,888 S *	8/2010	Chakravarty et al.	D26/71
7,841,755 B1	11/2010	Walker	
D632,001 S *	2/2011	Kong et al.	D26/71
D632,819 S *	2/2011	Kong et al.	D26/71
D636,107 S	4/2011	Compton	
D640,822 S	6/2011	Wildner	
D642,724 S *	8/2011	Galipeau et al.	D26/71
D645,190 S *	9/2011	Van Klinken et al.	D26/71
D648,887 S *	11/2011	Kong et al.	D26/71
D652,557 S *	1/2012	Boissevain et al.	D26/71
D652,978 S	1/2012	Boissevain et al.	
D653,382 S	1/2012	Sekowski et al.	
D657,485 S *	4/2012	Kong et al.	D26/71

* cited by examiner

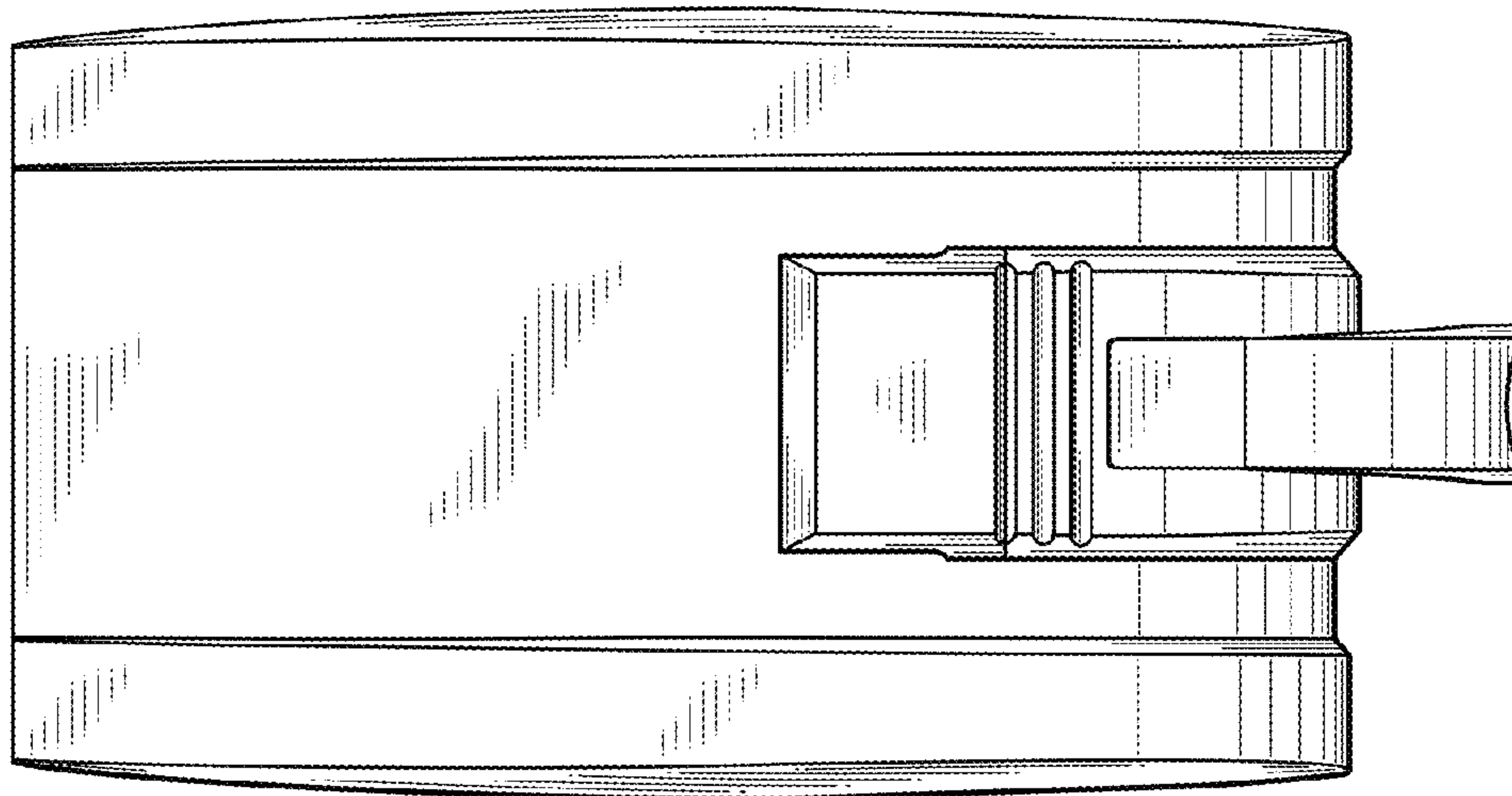


FIG. 1

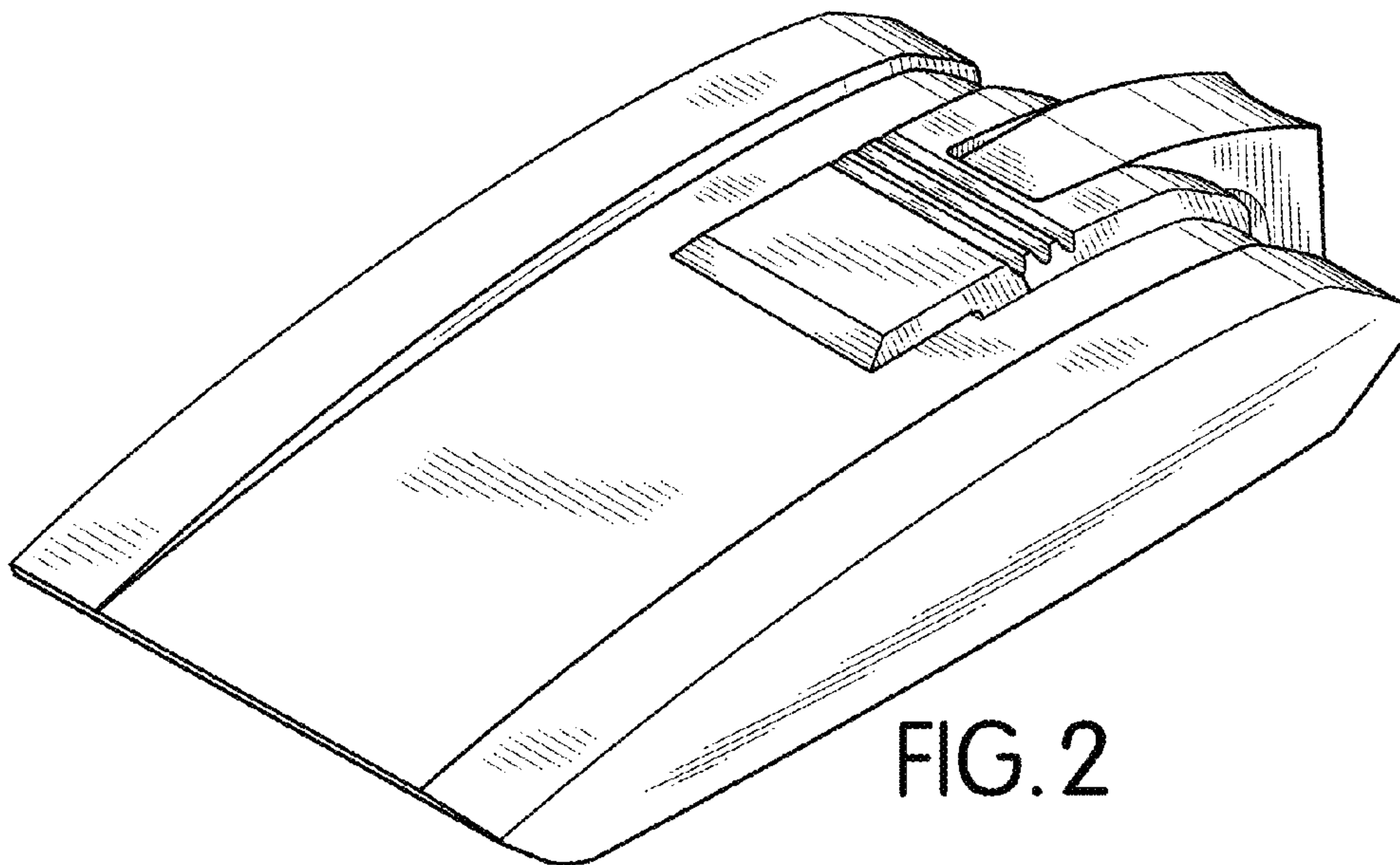


FIG. 2

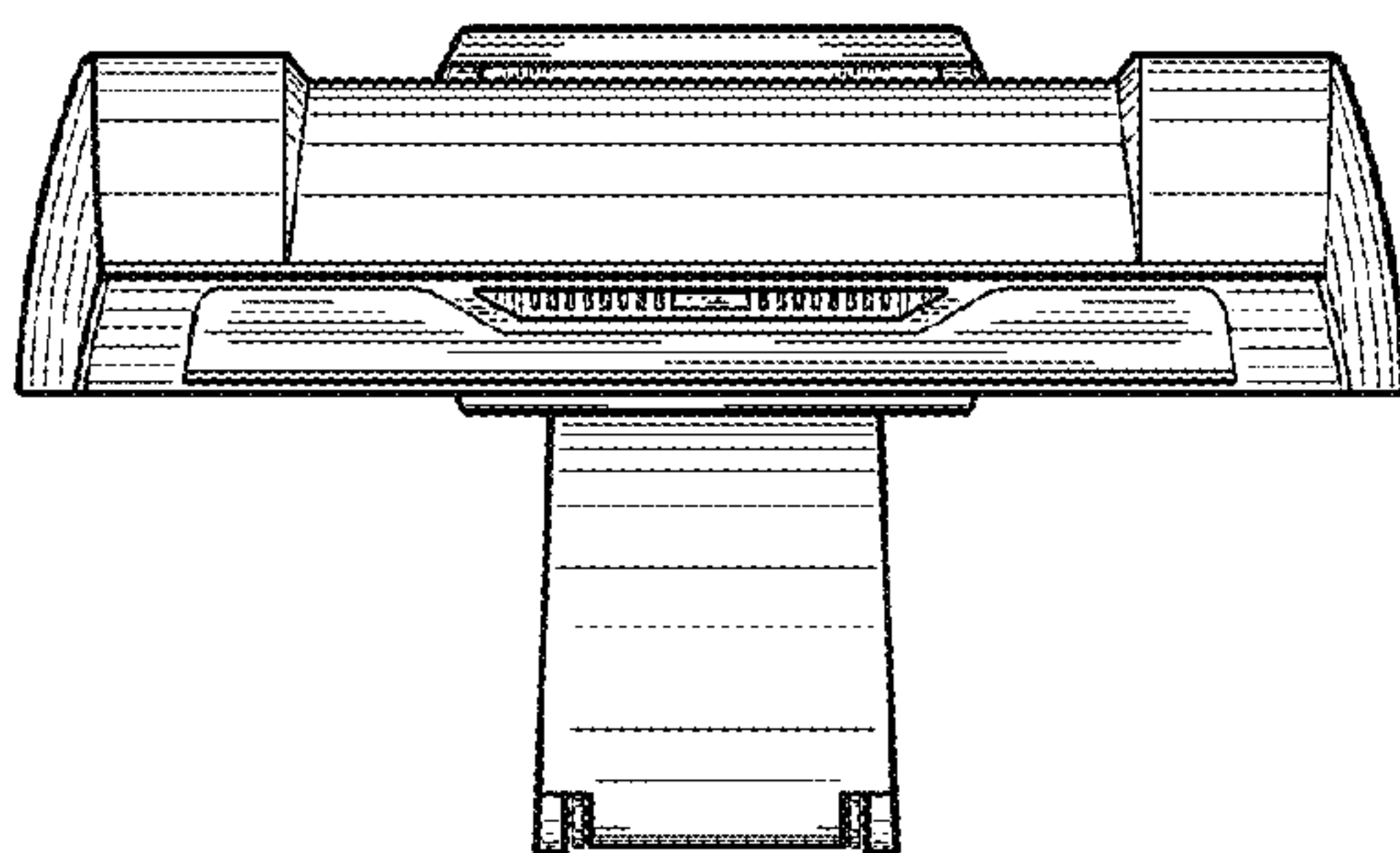


FIG. 3

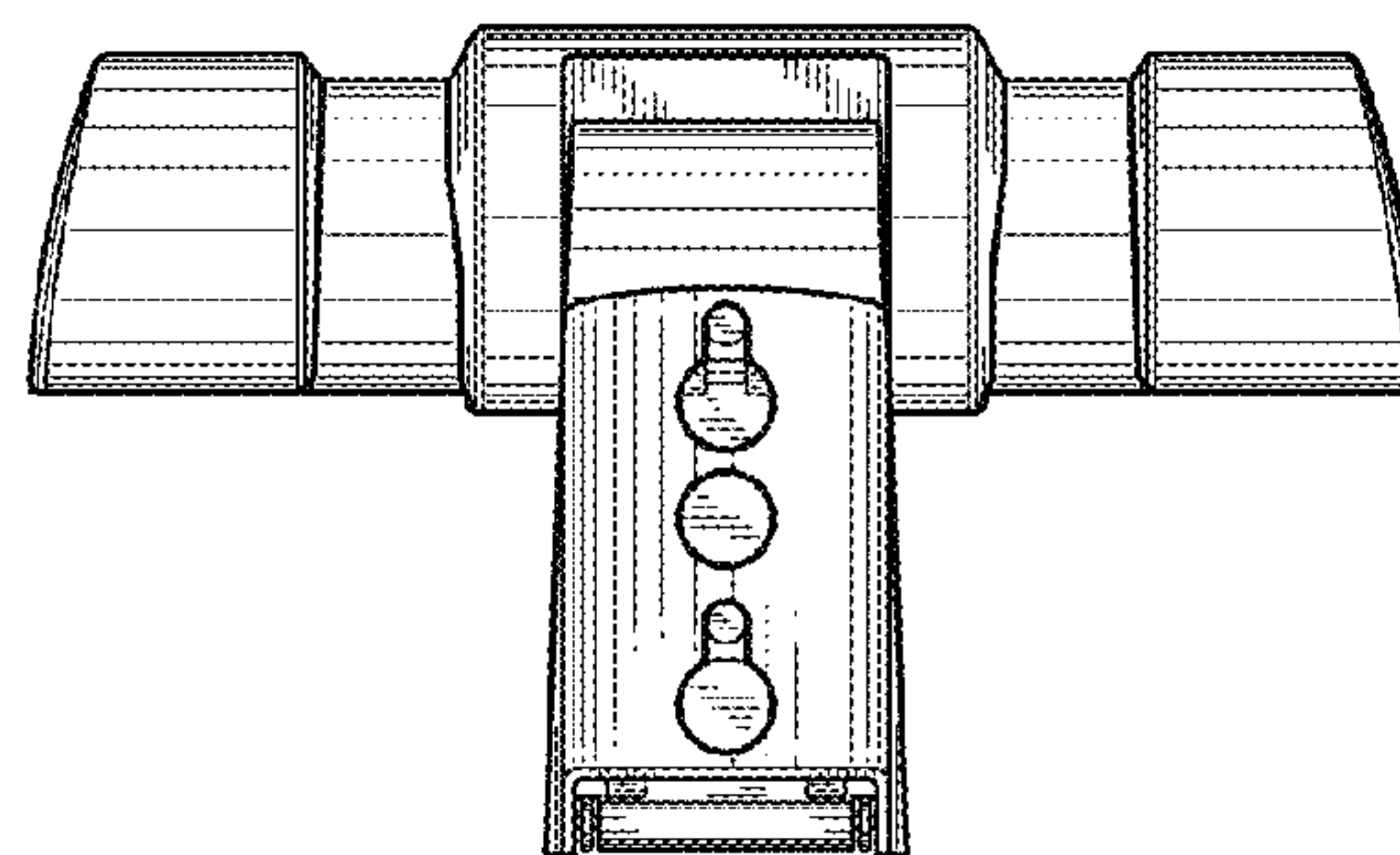


FIG. 4

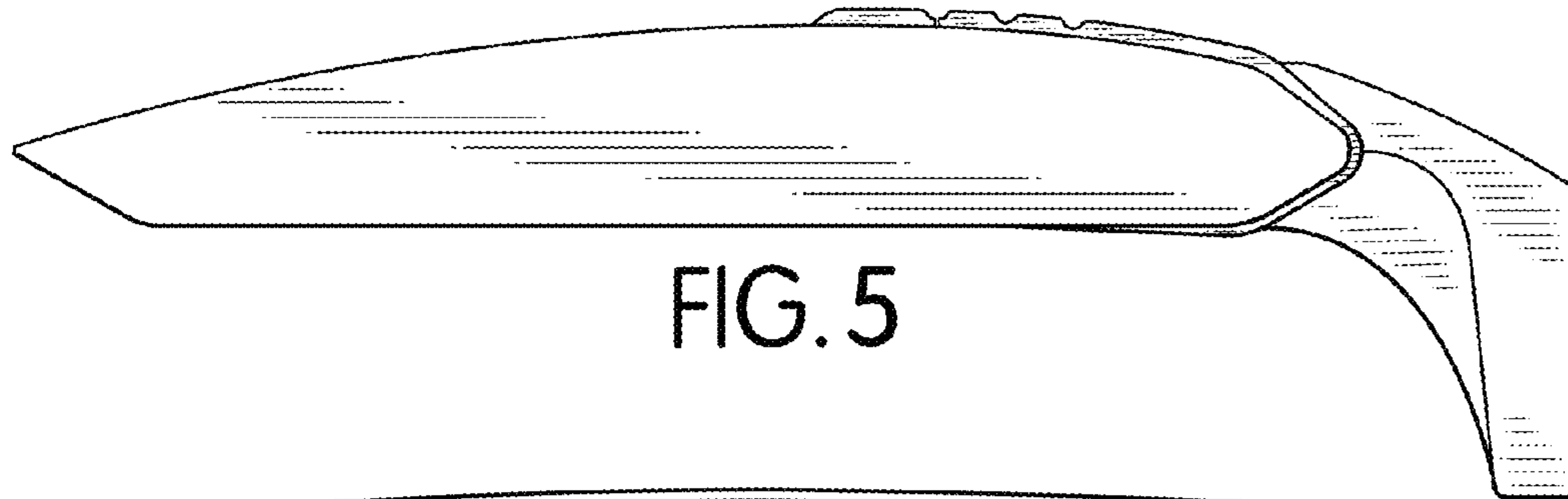


FIG. 5

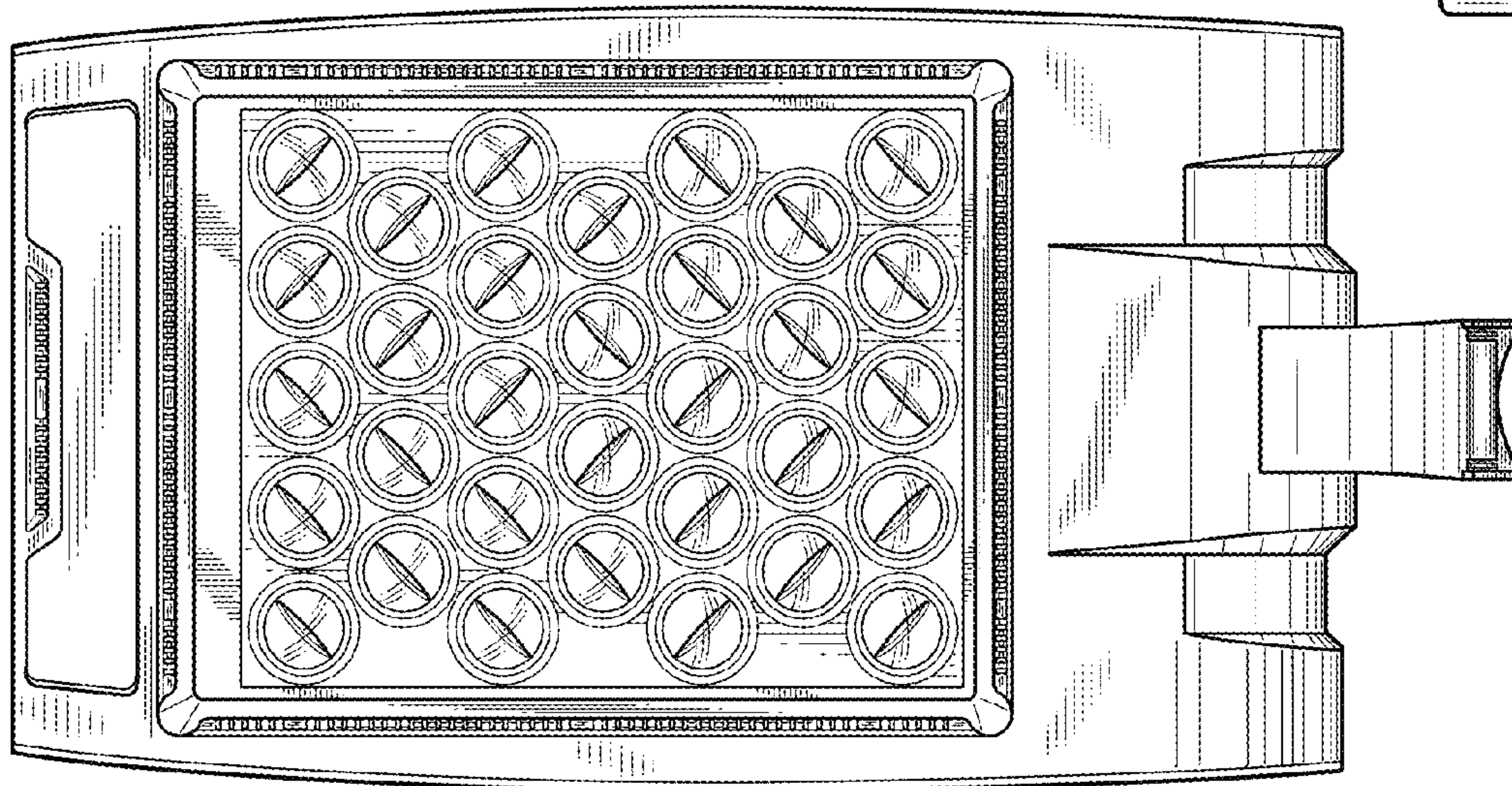


FIG. 6

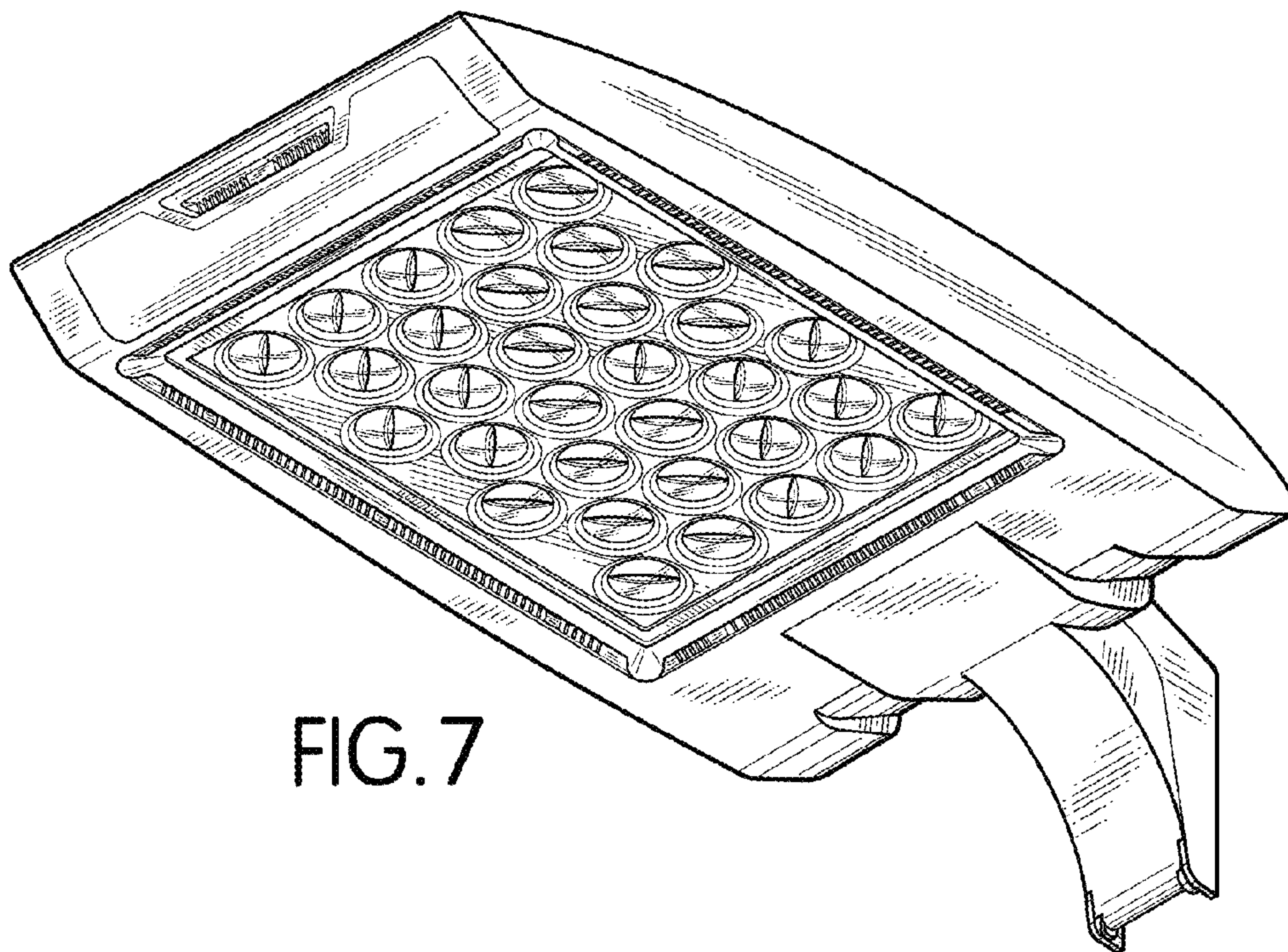


FIG. 7