



US00D680254S

(12) **United States Design Patent**
Mayfield, III et al.

(10) **Patent No.:** **US D680,254 S**
(45) **Date of Patent:** **** Apr. 16, 2013**

(54) **LIGHT FIXTURE**

(75) Inventors: **John T. Mayfield, III**, Loganville, GA (US); **David Richard Ranieri**, Bogart, GA (US); **Russell Vern Rouse**, Oxford, GA (US)

(73) Assignee: **ABL IP Holding LLC**, Conyers, GA (US)

(**) Term: **14 Years**

(21) Appl. No.: **29/420,115**

(22) Filed: **May 4, 2012**

(51) **LOC (9) Cl.** **26-05**

(52) **U.S. Cl.**
USPC **D26/74**

(58) **Field of Classification Search** D26/74,
D26/72, 75, 76, 77, 78, 79, 113, 118, 120,
D26/122, 138, 141; 362/482, 145, 147, 148,
362/150, 151, 152, 153, 153.1, 218, 217.02,
362/217.03, 217.05, 217.07, 217.08, 217.09,
362/217.1, 217.11, 217.14, 217.15, 342,
362/346, 347, 364, 365, 366, 800, 260, 279,
362/280, 290, 291, 292, 294, 296.01, 297,
362/298, 299, 300, 301, 310, 296.07, 311.02,
362/311.01, 311.09

See application file for complete search history.

(56) **References Cited**

U.S. PATENT DOCUMENTS

D190,596 S *	6/1961	Franck et al.	D26/76
D195,012 S	4/1963	Hoyle		
D364,478 S	11/1995	Pesau		
D397,819 S	9/1998	Thornton, Jr.		
D399,586 S	10/1998	Ranieri et al.		
D407,473 S	3/1999	Wimbock		
D413,402 S	8/1999	Ranieri et al.		
5,988,829 A	11/1999	Holder		
5,988,836 A	11/1999	Swarens		
D477,891 S	7/2003	Fritze et al.		
D496,121 S	9/2004	Santoro		

D545,991 S *	7/2007	Mayfield et al.	D26/118
D545,992 S *	7/2007	Mayfield et al.	D26/118
D553,781 S *	10/2007	Pickard et al.	D26/74
D556,358 S	11/2007	Santoro		
D561,930 S *	2/2008	Hukle et al.	D26/120
D572,858 S	7/2008	Santoro		
D579,598 S	10/2008	Santoro		
D595,006 S	6/2009	Santoro		
D602,625 S	10/2009	Santoro		
D608,929 S *	1/2010	Castelli	D26/76
D643,572 S *	8/2011	Lown et al.	D26/120
D644,374 S *	8/2011	Ferrier	D26/118
D663,468 S *	7/2012	Apetauer et al.	D26/74
D664,699 S *	7/2012	Nakahira et al.	D26/74
D667,157 S *	9/2012	Ferguson et al.	D26/76

OTHER PUBLICATIONS

“Simply Inspired,” Philips Ledalite, 2012 (28 Pages).

* cited by examiner

Primary Examiner — Angela J Lee

(74) *Attorney, Agent, or Firm* — Kilpatrick Townsend & Stockton LLP

(57) **CLAIM**

The ornamental design for a light fixture, as shown and described.

DESCRIPTION

FIG. 1 is a bottom perspective view of an embodiment of a light fixture.

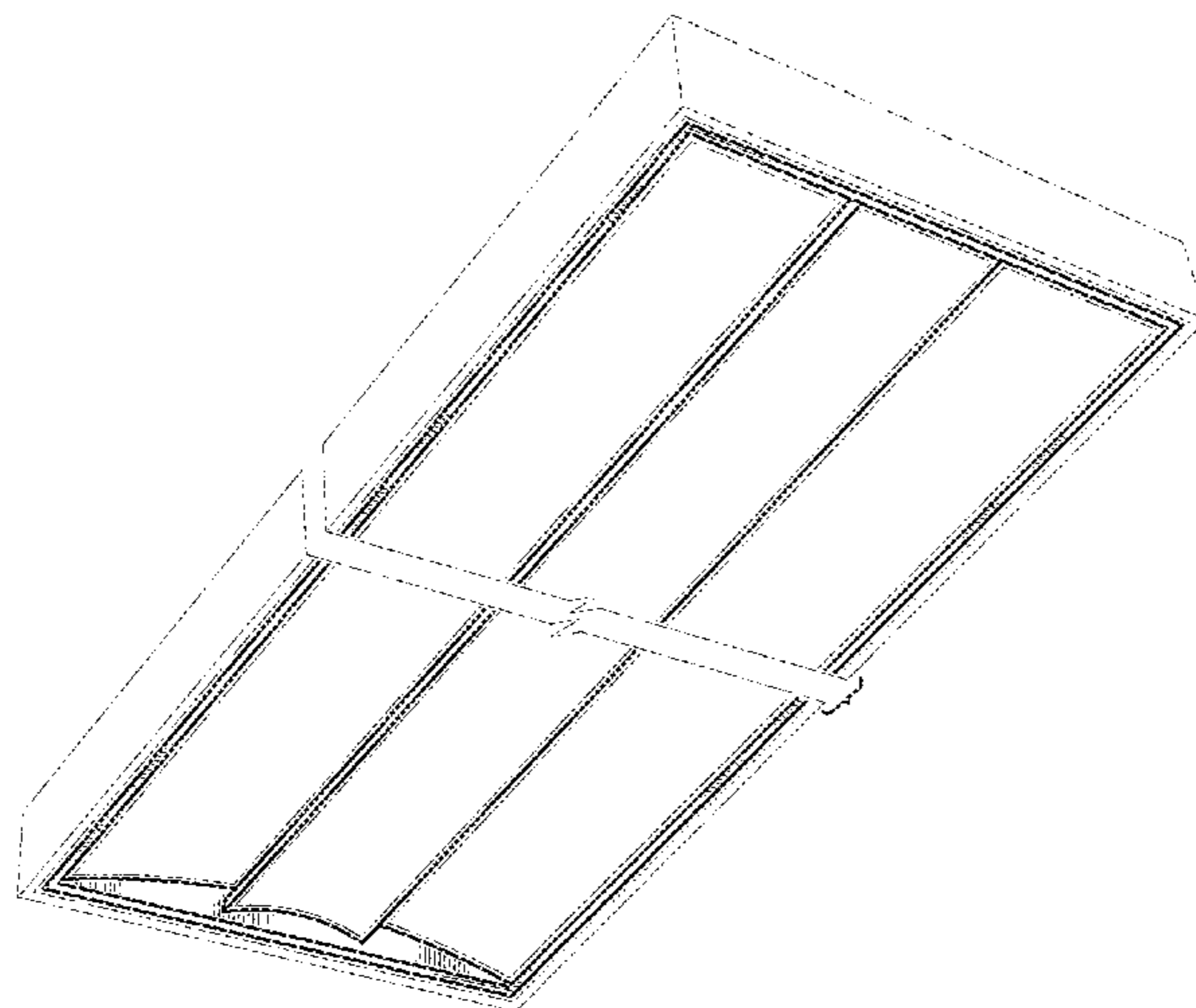
FIG. 2 is a bottom plan view of the light fixture of FIG. 1.

FIG. 3 is a right side elevation view of the light fixture of FIG. 1, it being understood that the left side elevation view is identical to the right side elevation view; and,

FIG. 4 is a front elevation view of the light fixture of FIG. 1, it being understood that the rear elevation view is identical to the front elevation view.

Portions or features of the light fixture not shown in the drawings form no part of the claimed design. The broken lines in the drawings form no part of the claimed design.

1 Claim, 2 Drawing Sheets



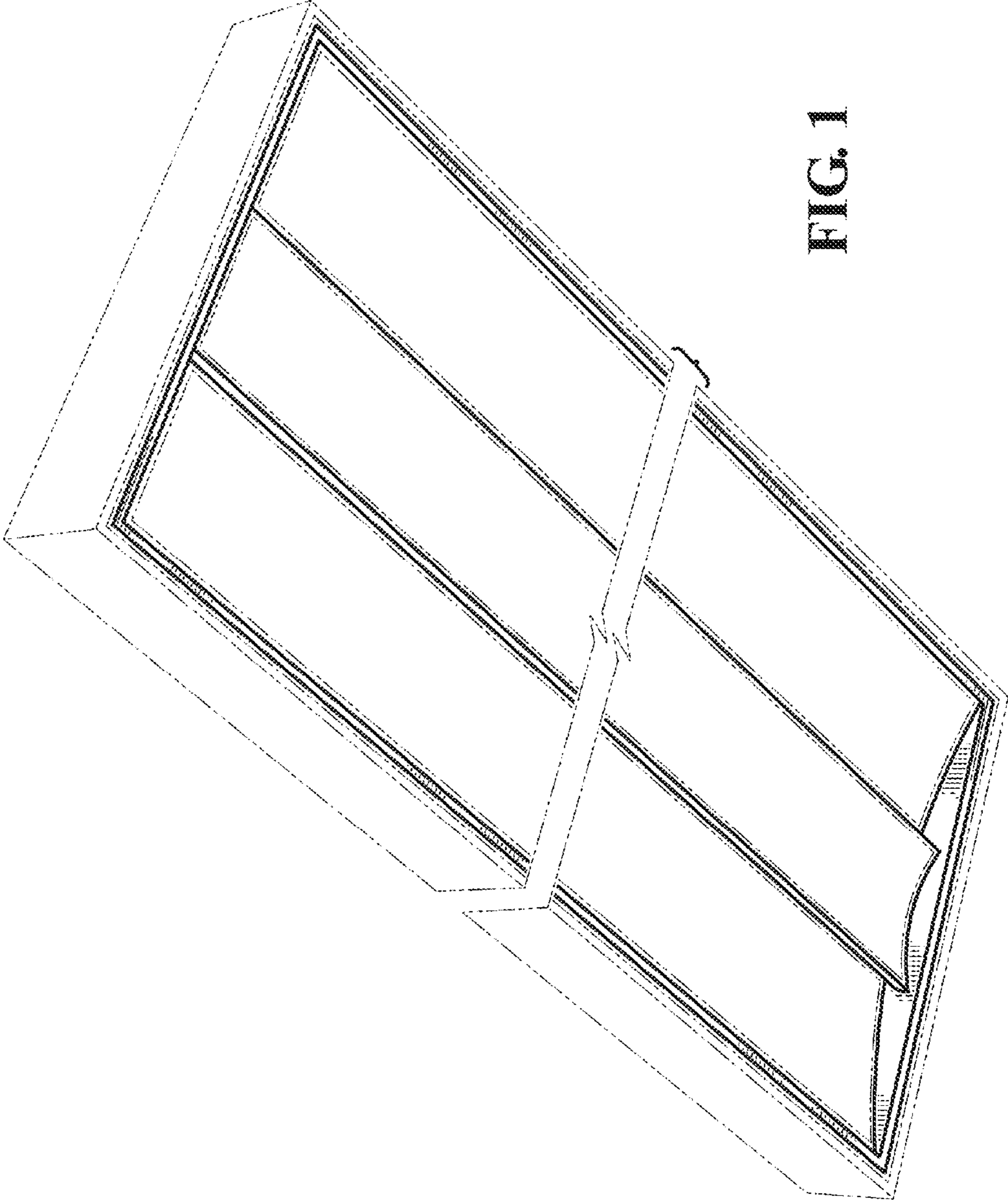


FIG. 1

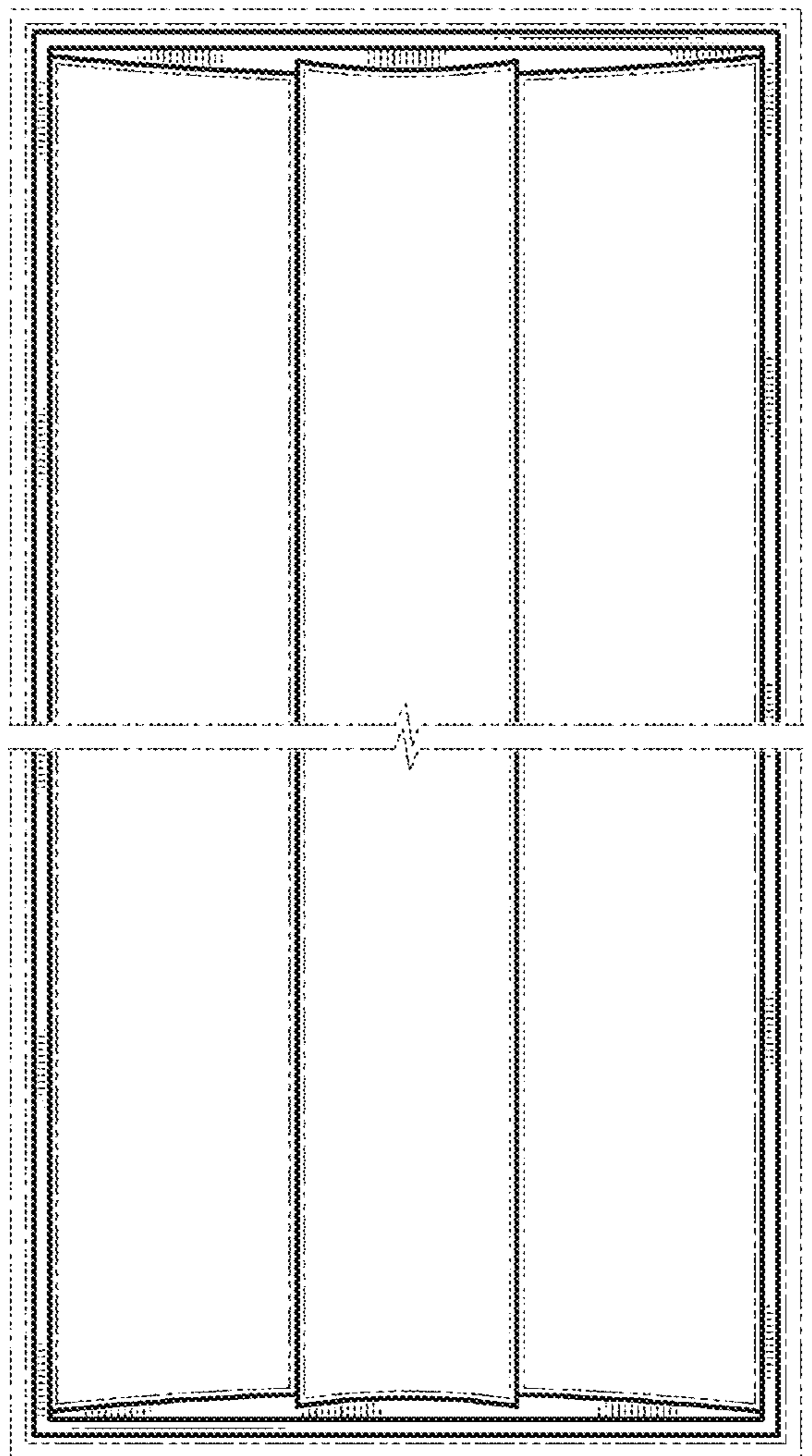


FIG. 2

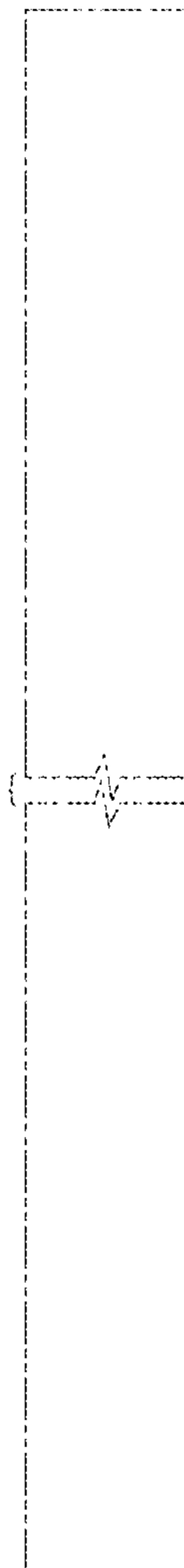


FIG. 3

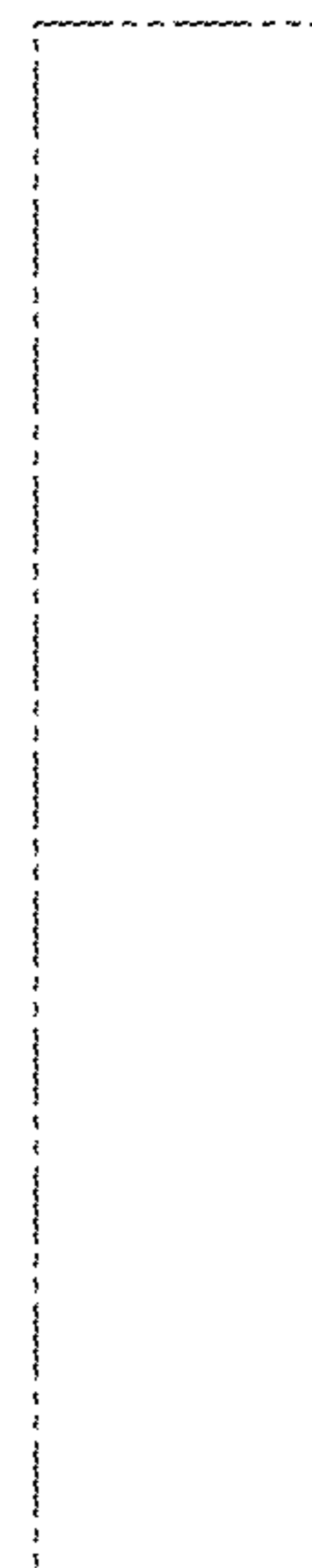


FIG. 4