



US00D680253S

(12) **United States Design Patent**  
**Herberholt**

(10) **Patent No.:** **US D680,253 S**  
(45) **Date of Patent:** **\*\* Apr. 16, 2013**

- (54) **FLARED VISOR**
- (71) Applicant: **Code 3, Inc.**, St. Louis, MO (US)
- (72) Inventor: **Steven James Herberholt**, St. Charles, MO (US)
- (73) Assignee: **Code 3, Inc.**, St. Louis, MO (US)
- (\*\*) Term: **14 Years**
- (21) Appl. No.: **29/433,168**
- (22) Filed: **Sep. 26, 2012**

4,751,493 A	6/1988	Miller
4,851,970 A	7/1989	Bronder
D304,504 S	11/1989	Chen
D313,480 S	1/1991	Criswell
5,319,530 A	6/1994	Kreutzer et al.
5,486,808 A	1/1996	Nejdl
6,264,354 B1	7/2001	Motilal
7,093,959 B2	8/2006	Tsao
7,106,185 B1	9/2006	Neufeglise
7,325,938 B2	2/2008	Yoshida et al.
D617,929 S	6/2010	Kuo
7,771,092 B2	8/2010	Yeh
D629,548 S	12/2010	Cai

**Related U.S. Application Data**

- (62) Division of application No. 29/391,472, filed on May 9, 2011, now Pat. No. Des. 670,847.
- (51) **LOC (9) Cl.** ..... **26-05**
- (52) **U.S. Cl.**  
USPC ..... **D26/60; D26/63**
- (58) **Field of Classification Search** ..... D26/60-66,  
D26/28, 29, 31, 34, 72, 74, 76, 77, 85, 87;  
D10/109.1, 111, 114.1, 114.3; 362/240,  
362/249.1, 249.01-249.03, 249.07, 249.09,  
362/269, 270, 277, 280-285, 287, 311.02,  
362/217.02, 278, 418, 432, 449, 319, 322,  
362/253, 257, 268, 397, 806, 227, 487-490,  
362/509-512, 516-519, 523, 540, 544, 546-549,  
362/396, 301, 362, 368-371, 220-225, 217.08,  
362/249.11, 365, 459, 542; D23/383, 387,  
D23/388, 393  
See application file for complete search history.

**References Cited**

- (56) **U.S. PATENT DOCUMENTS**
- 4,222,092 A 9/1980 Bray
- 4,575,782 A 3/1986 Levine et al.
- 4,654,757 A 3/1987 Birkhauser
- 4,734,675 A 3/1988 Wen

**OTHER PUBLICATIONS**

CrossFire LED & Safety Products 'The Flash' Single Head Windshield Mount Warning Light on p. 1 of 2, 2009, [Retrieved on Feb. 8, 2012]. Retrieved from the Internet <URL: [http://www.crossfired.com/mm5/merchant.mvc?Screen=CTGY & Store\\_Code=CF & Categ... >](http://www.crossfired.com/mm5/merchant.mvc?Screen=CTGY & Store_Code=CF & Categ...).

(Continued)

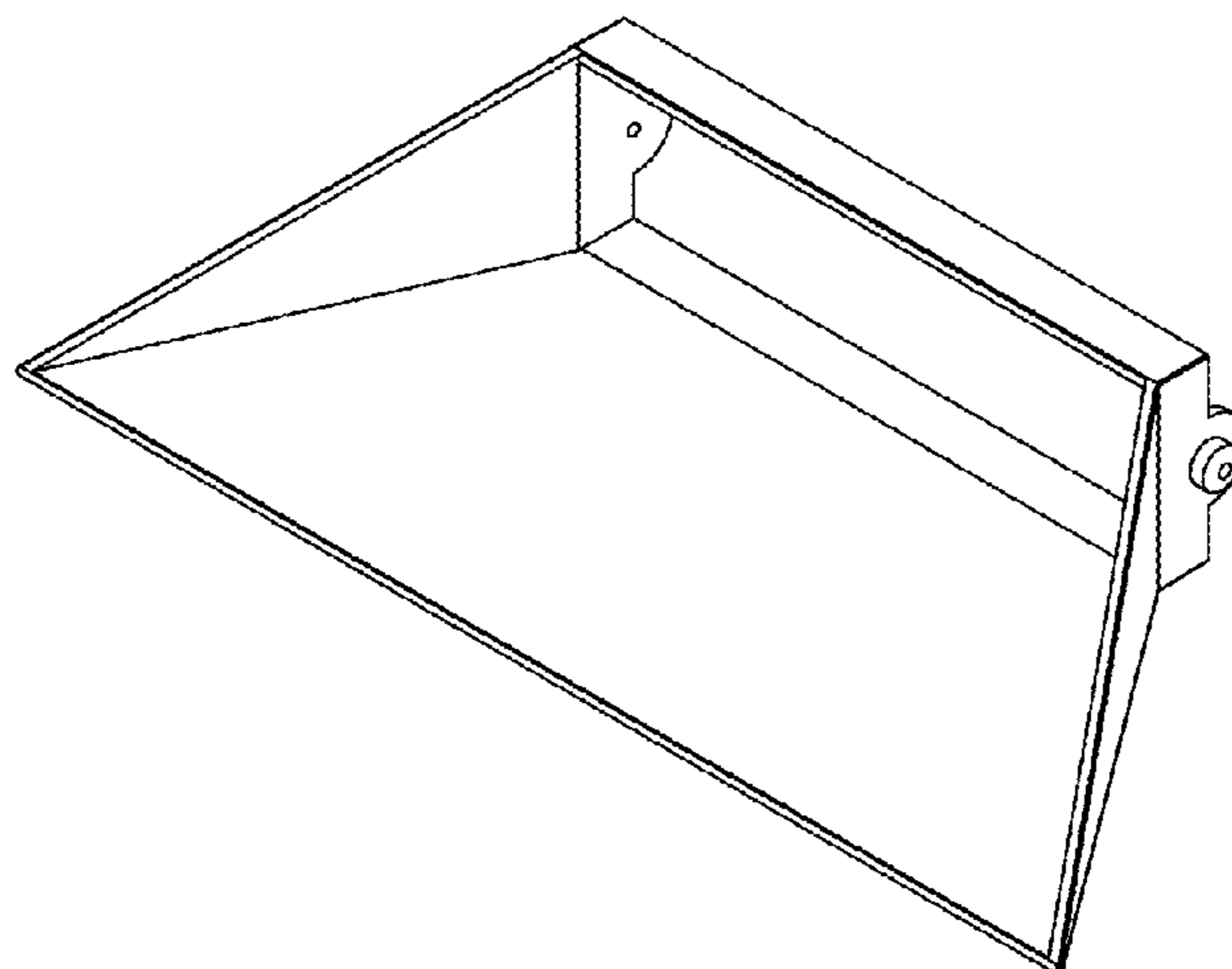
*Primary Examiner* — Susan M Lee  
*Assistant Examiner* — Linda G Brooks  
(74) *Attorney, Agent, or Firm* — Senniger Powers LLP

(57) **CLAIM**  
The ornamental design for a flared visor, as shown and described.

**DESCRIPTION**

FIG. 1 is a top perspective view of a flared visor according to the present invention;  
FIG. 2 is a front view thereof;  
FIG. 3 is a right side view of the flared visor, the left side view being a mirror image thereof;  
FIG. 4 is a bottom view of the flared visor;  
FIG. 5 is a rear view thereof; and,  
FIG. 6 is a top view thereof.

**1 Claim, 6 Drawing Sheets**



OTHER PUBLICATIONS

CrossFire LED & Safety Products, 'X2 Dual Linear LED Emergency Warning Windshield Mount and Dash Light.' (2009) [Retrieved on Feb. 8, 2012]. Retrieved from the Internet <URL: [http://www.](http://www.crossfireled.com/mm5/merchant.mvc?Screen=PROD)

[crossfireled.com/mm5/merchant.mvc?Screen=PROD](http://www.crossfireled.com/mm5/merchant.mvc?Screen=PROD) & Store\_Code=CF&pRODUC . . . >.  
Whelen dash lights and Signal dash light (2008) [Retrieved on Feb. 8, 2012]. Retrieved from the Internet <URL: <http://powellsemergencyvehicleupfitting.ecrater.com/c/614938/led-dash-lights-interior-light> . . . >.

FIG. 1

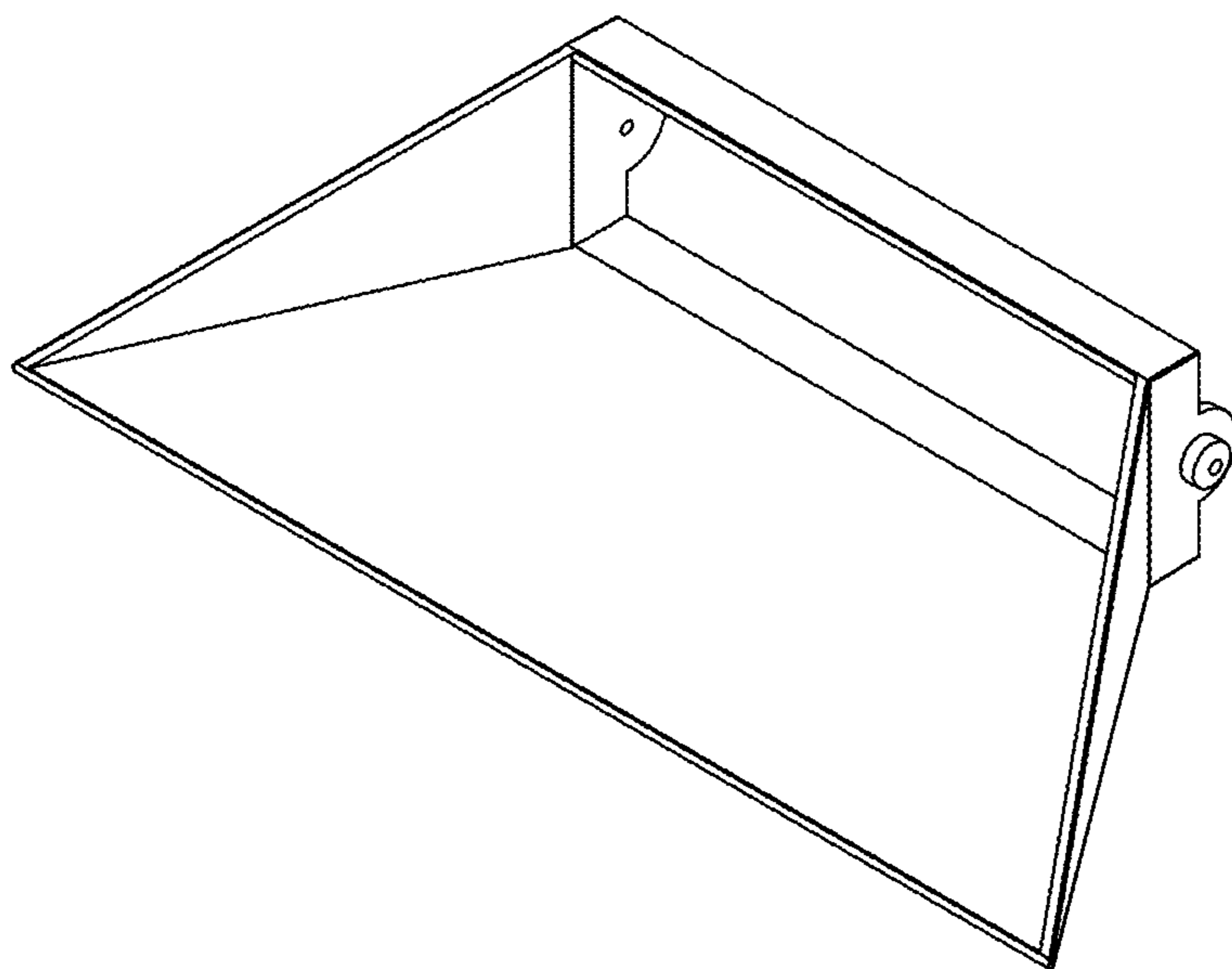


FIG. 2

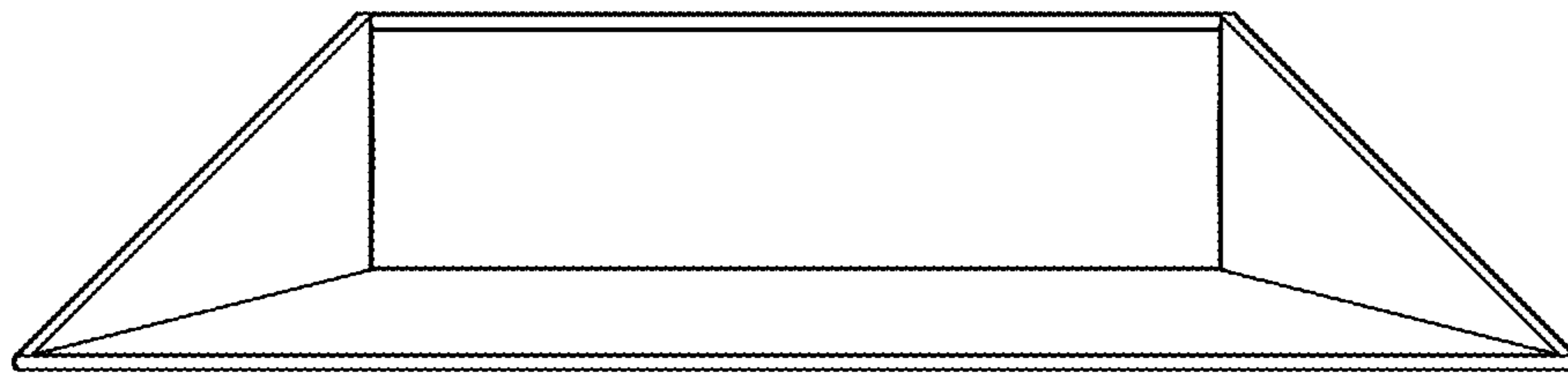


FIG. 3

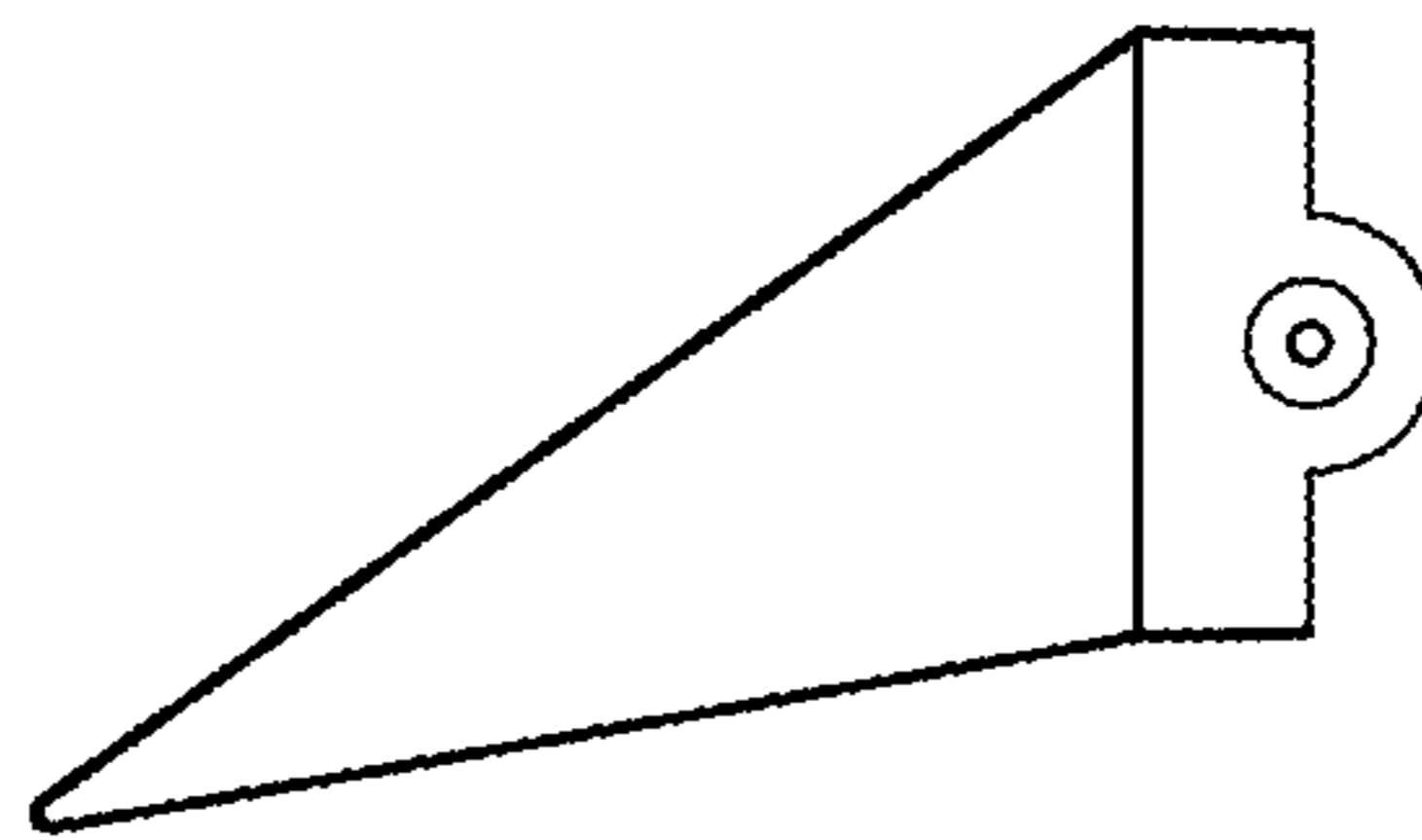


FIG. 4

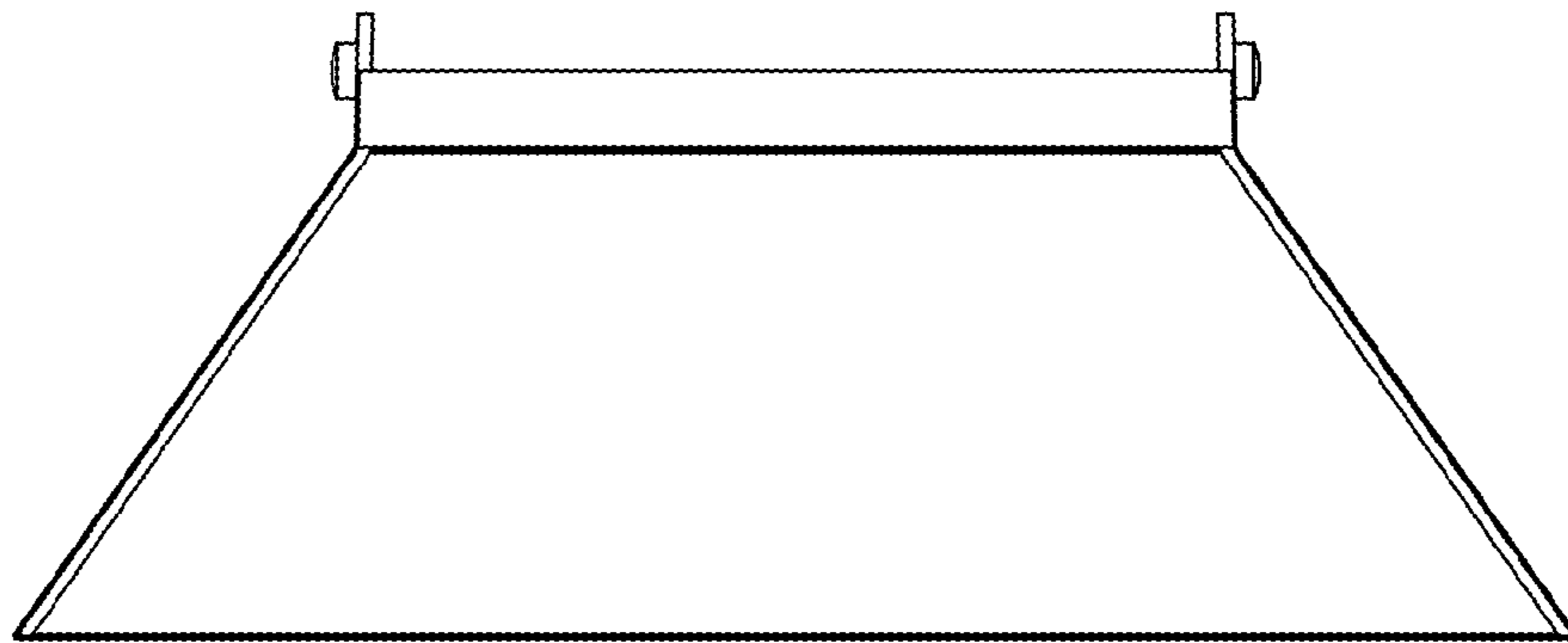


FIG. 5

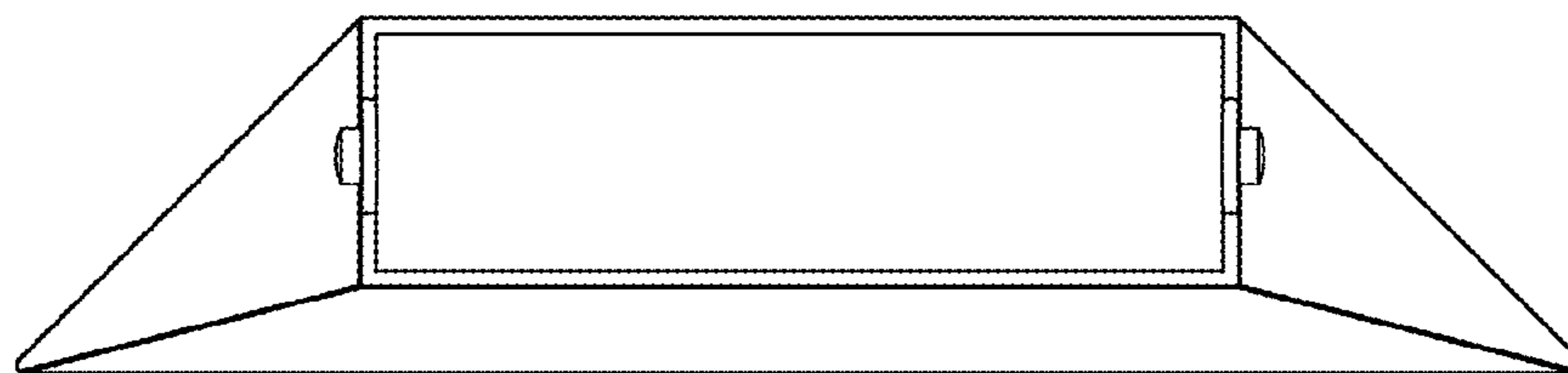


FIG. 6

