



US00D680252S

(12) **United States Design Patent**
Du

(10) **Patent No.:** **US D680,252 S**

(45) **Date of Patent:** **** Apr. 16, 2013**

(54) **SOLAR BICYCLE SAFETY LIGHT**

(76) Inventor: **Tiffany Du**, Garden Grove, CA (US)

(**) Term: **14 Years**

(21) Appl. No.: **29/408,405**

(22) Filed: **Dec. 12, 2011**

(51) **LOC (9) Cl.** **25-05**

(52) **U.S. Cl.**
USPC **D26/60; D26/63; D26/28**

(58) **Field of Classification Search** D26/28-36,
D26/60-66, 67-71; 362/459-468, 475-478,
362/485-487, 153.1, 431, 157-159, 174-177,
362/183, 396, 187, 188, 190, 191, 197, 198,
362/269, 270, 274, 277, 278, 282, 285, 287,
362/288, 418, 427

See application file for complete search history.

(56) **References Cited**

U.S. PATENT DOCUMENTS

5,523,925	A *	6/1996	Bare, IV	362/473
5,584,561	A *	12/1996	Lahos	362/473
D456,926	S *	5/2002	Gaskins et al.	D26/71
D500,573	S *	1/2005	Emory et al.	D26/138
7,293,900	B1 *	11/2007	Lee	362/476
D588,290	S *	3/2009	Coushaine et al.	D26/28
D592,340	S *	5/2009	Liao et al.	D26/60
D615,229	S *	5/2010	van Klinken	D26/63
D624,692	S *	9/2010	Mackin et al.	D26/142
D640,402	S *	6/2011	Mitchell	D26/60

* cited by examiner

Primary Examiner — Susan M Lee

Assistant Examiner — Linda G. Brooks

(74) *Attorney, Agent, or Firm* — Richard D. Clarke

(57) **CLAIM**

I claim the ornamental design for a solar bicycle safety light, as shown and described.

DESCRIPTION

FIG. 1 is a side elevation view of the solar bicycle safety light, mounted in place on the seat post of a bicycle and rotated to have the emitted light facing rearward, with the arrow indicating that the light-emitting element can be rotated;

FIG. 2 is a top plan view of the solar bicycle safety light, shown with the light-emitting element facing downward;

FIG. 3 is a rear view of the solar bicycle safety light of FIG. 5; FIG. 4 is a side elevation view of the solar bicycle safety light of FIG. 2;

FIG. 5 is a bottom view of the solar bicycle safety light of FIG. 2;

FIG. 6 is a side elevation view of the solar bicycle safety light of FIG. 2;

FIG. 7 is a front view of the solar bicycle safety light of FIG. 5;

FIG. 8 is a side elevation view of the solar bicycle safety light, mounted in place on the handle bars of a bicycle and rotated to have the emitted light facing forward, with the arrow indicating that the light-emitting element can be rotated;

FIG. 9 is a top plan view of the solar bicycle safety light, shown with the light-emitting element facing downward;

FIG. 10 is a rear view of the solar bicycle safety light of FIG. 12;

FIG. 11 is a side elevation view of the solar bicycle safety light of FIG. 9;

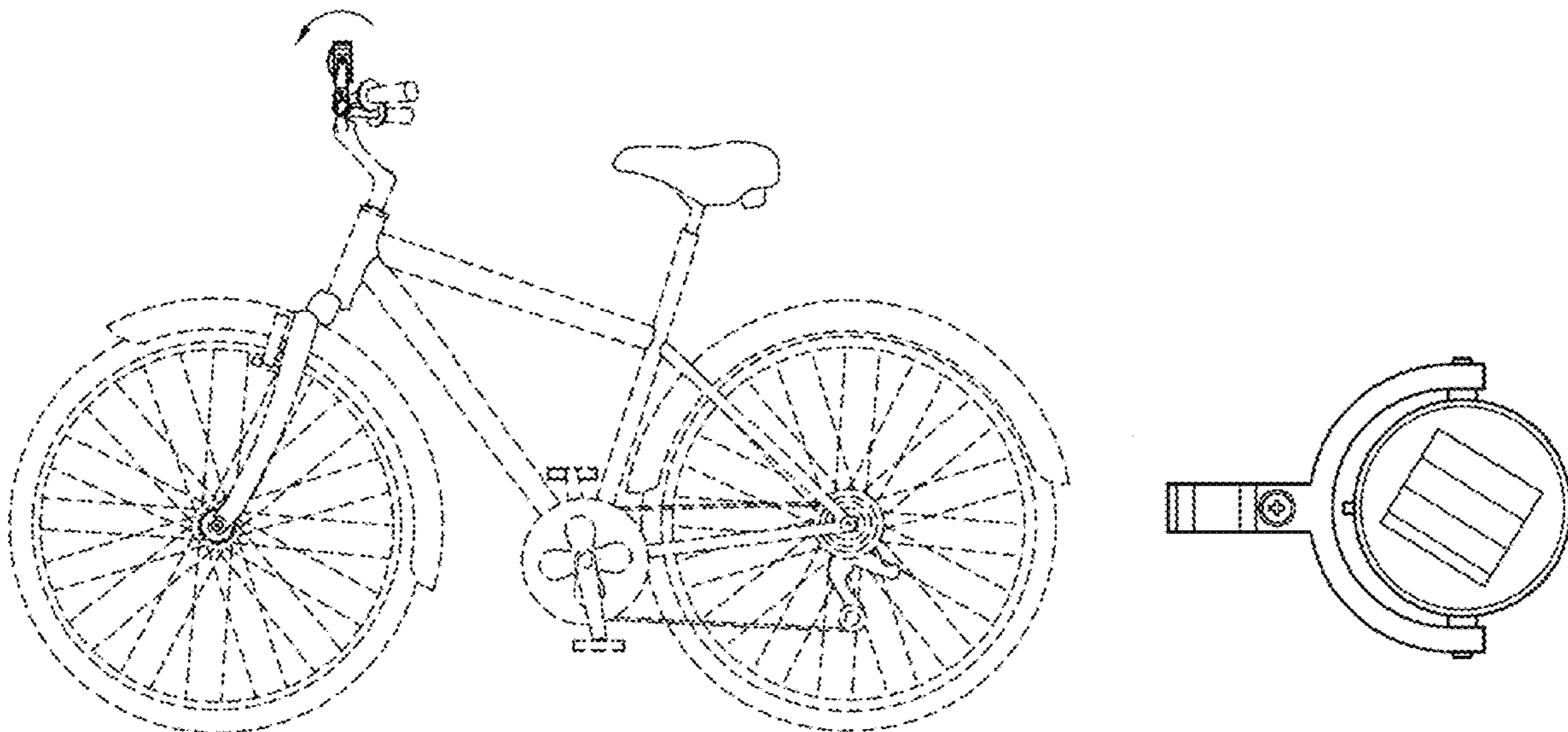
FIG. 12 is a bottom view of the solar bicycle safety light of FIG. 9;

FIG. 13 is a side elevation view of the solar bicycle safety light of FIG. 9; and,

FIG. 14 is a front view of the solar bicycle safety light of FIG. 12.

The broken line showing of environment in FIG. 1 and FIG. 8 is included for the purpose of illustration only and forms no part of the claimed design.

1 Claim, 4 Drawing Sheets



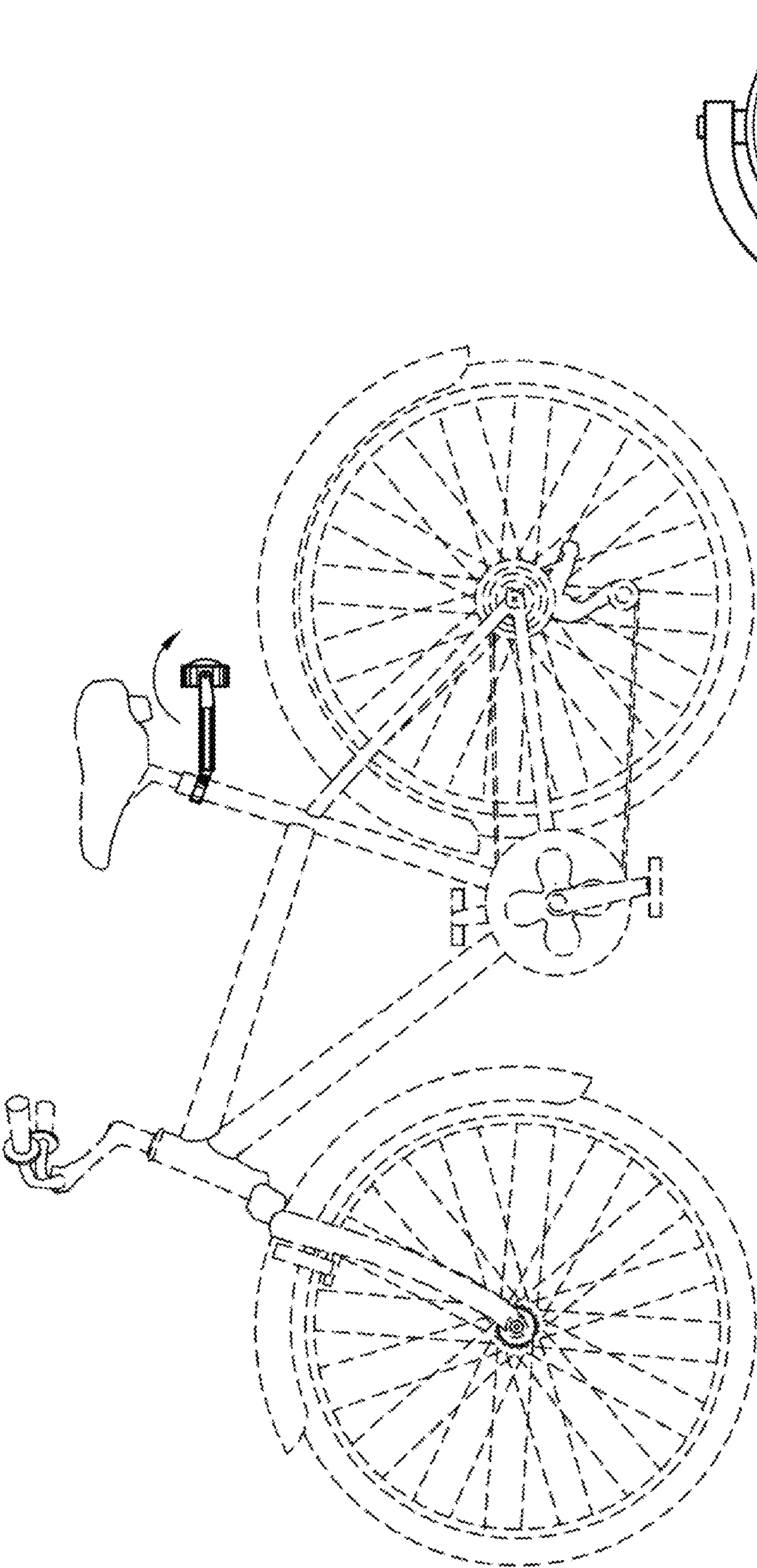


FIG. 1

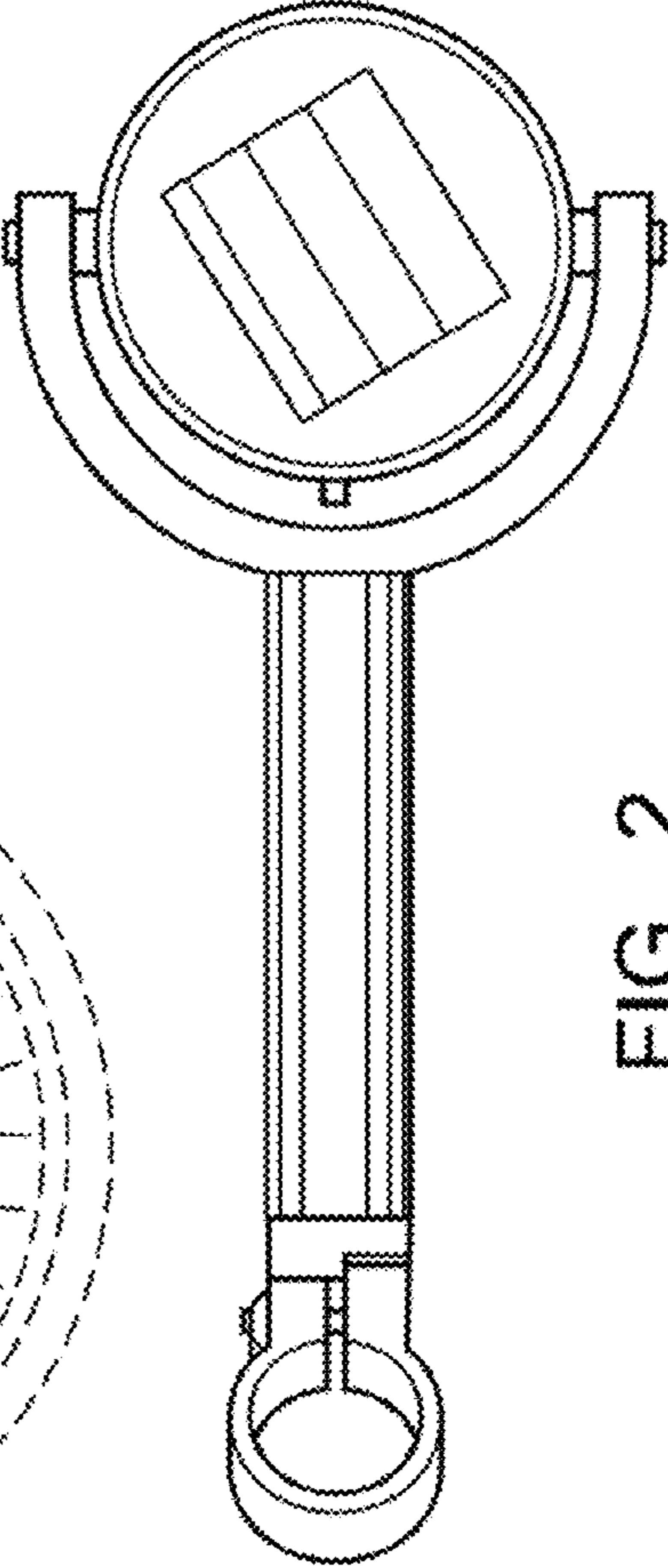


FIG. 2

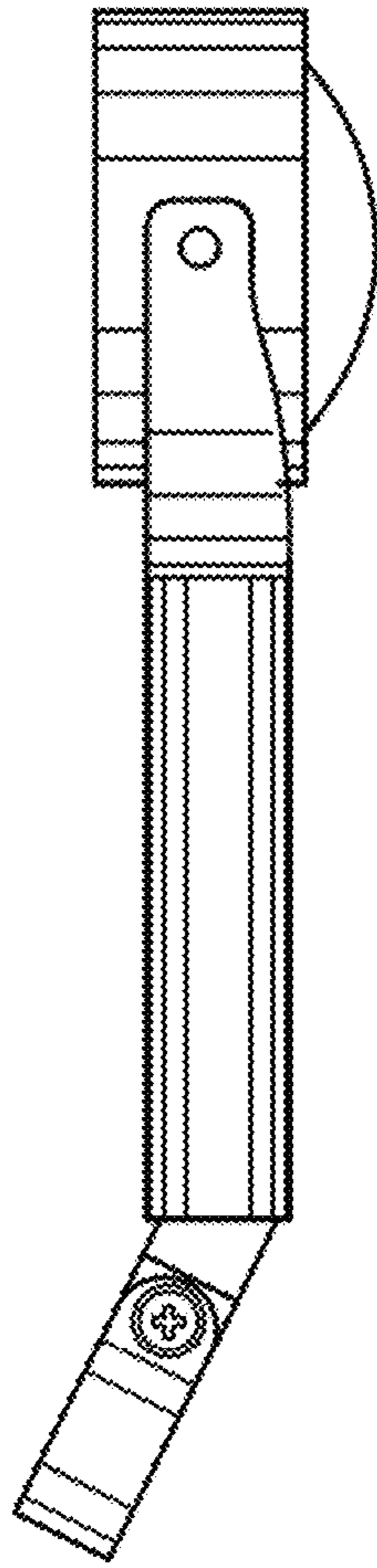


FIG. 4

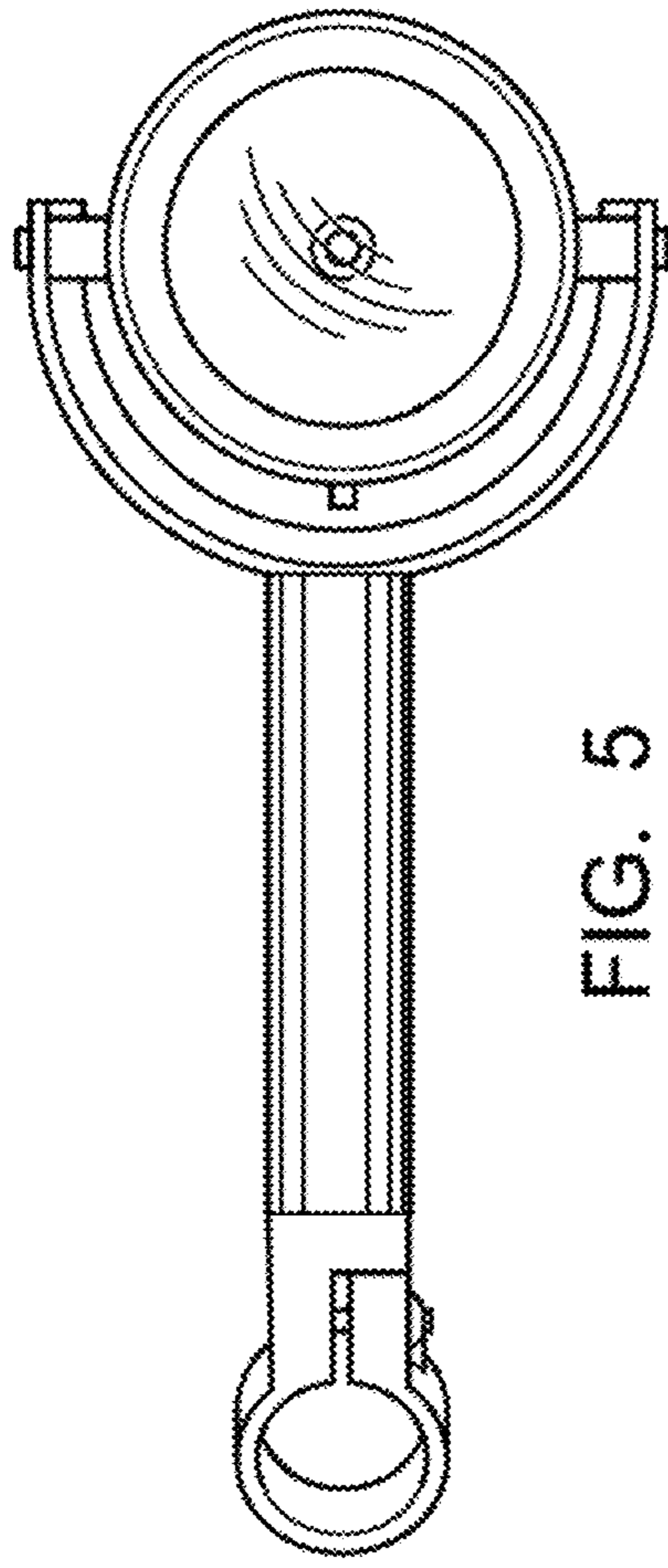


FIG. 5

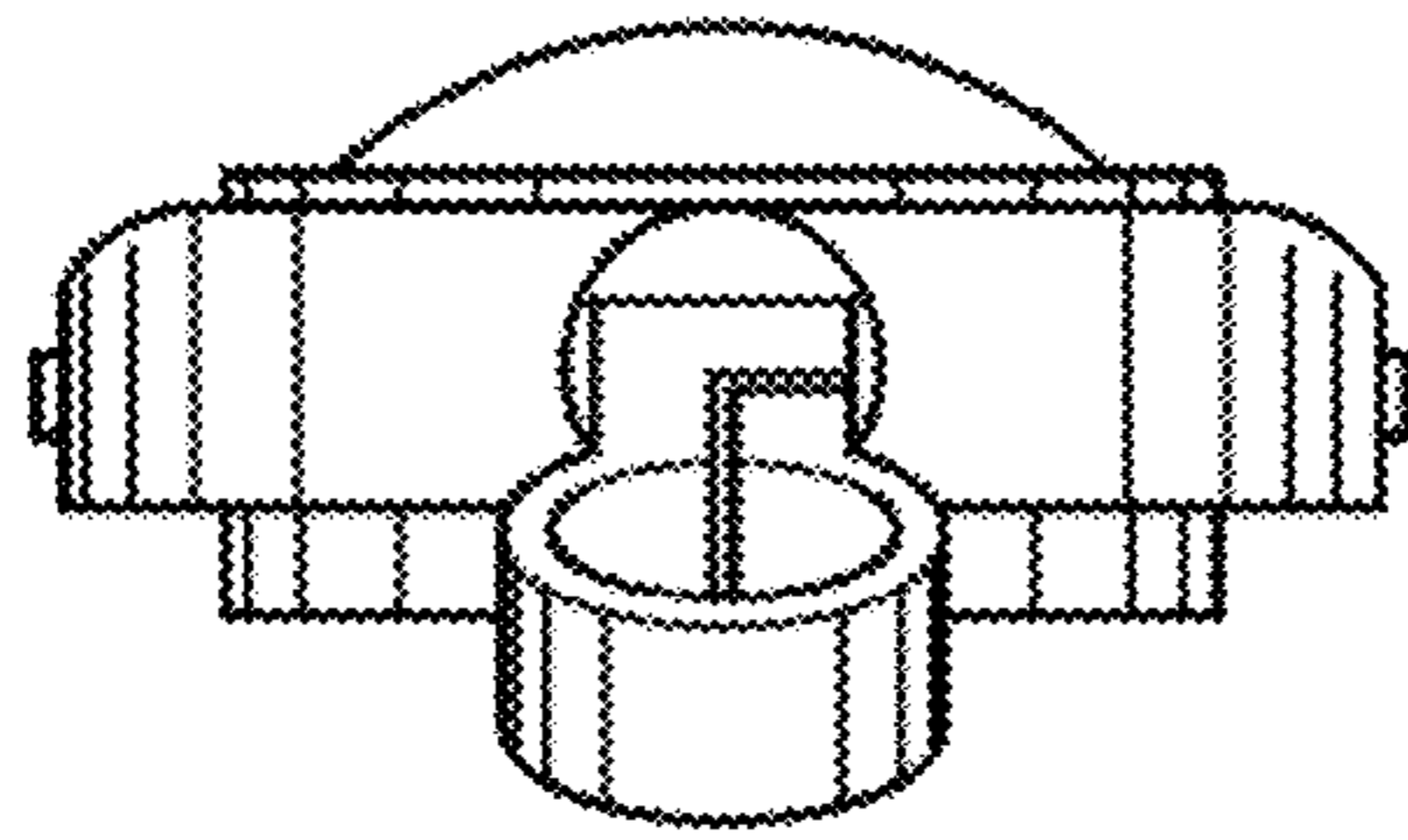


FIG. 3

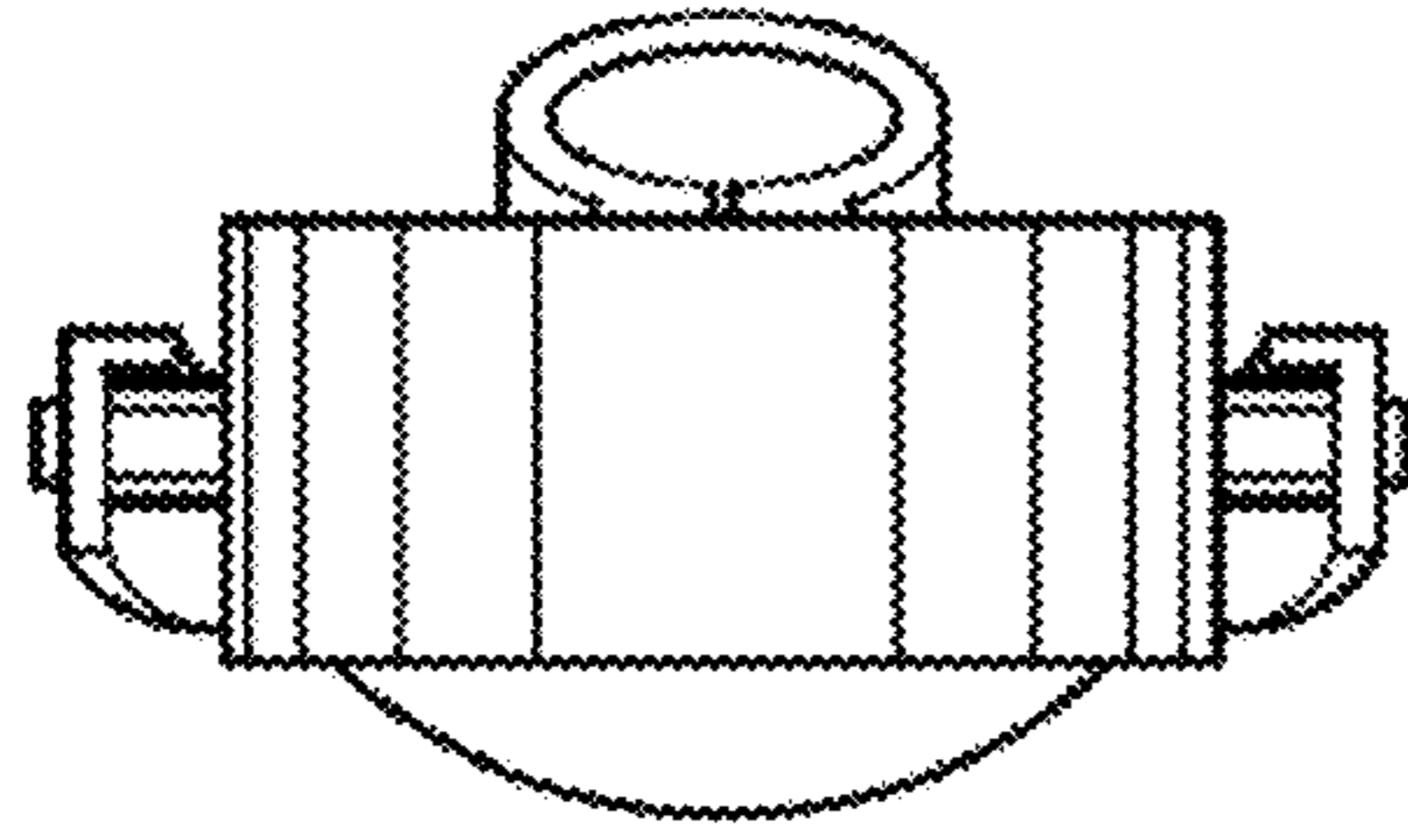


FIG. 7

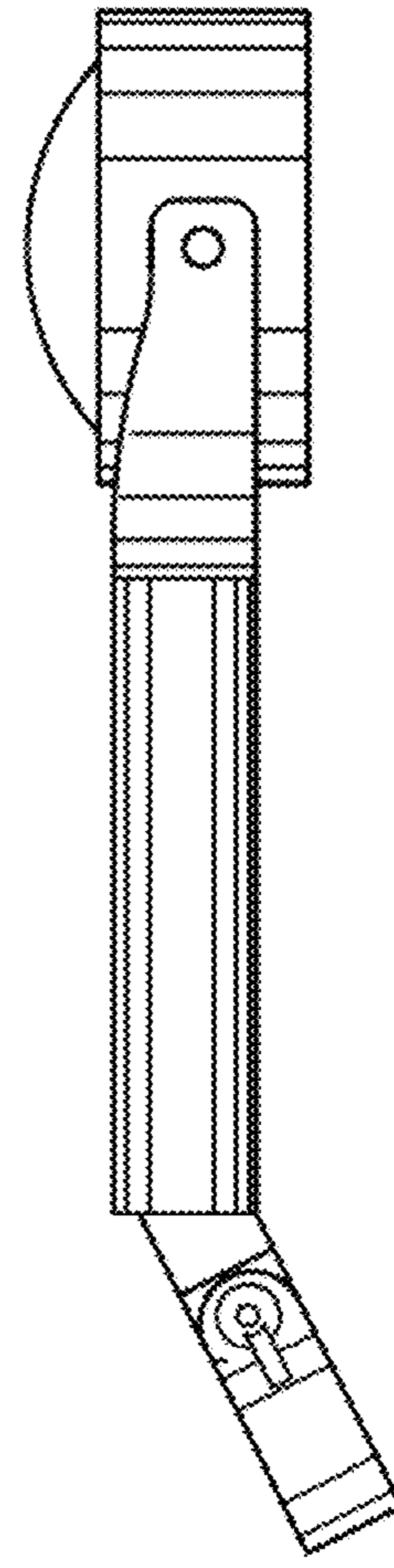


FIG. 6

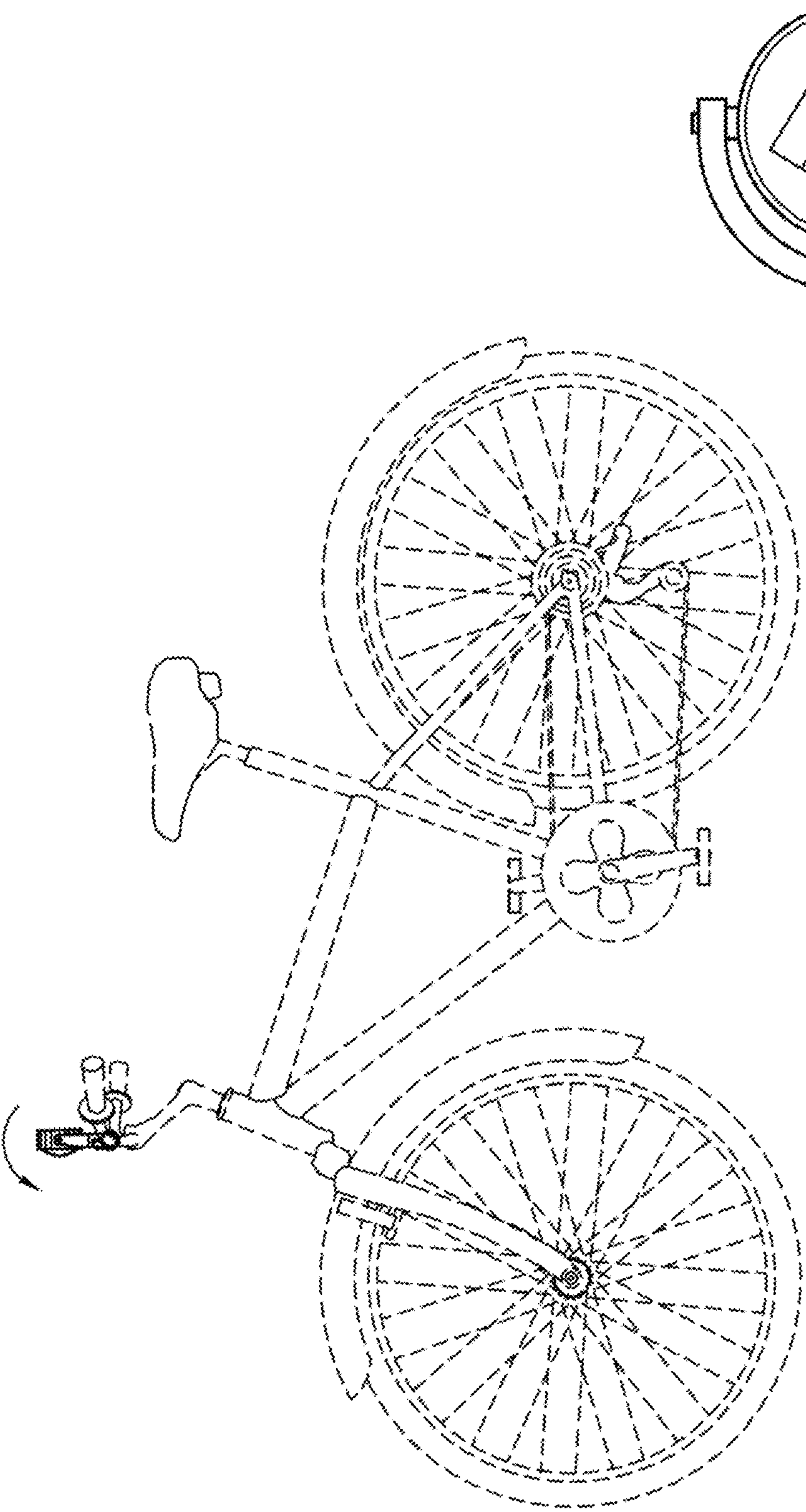


FIG. 8

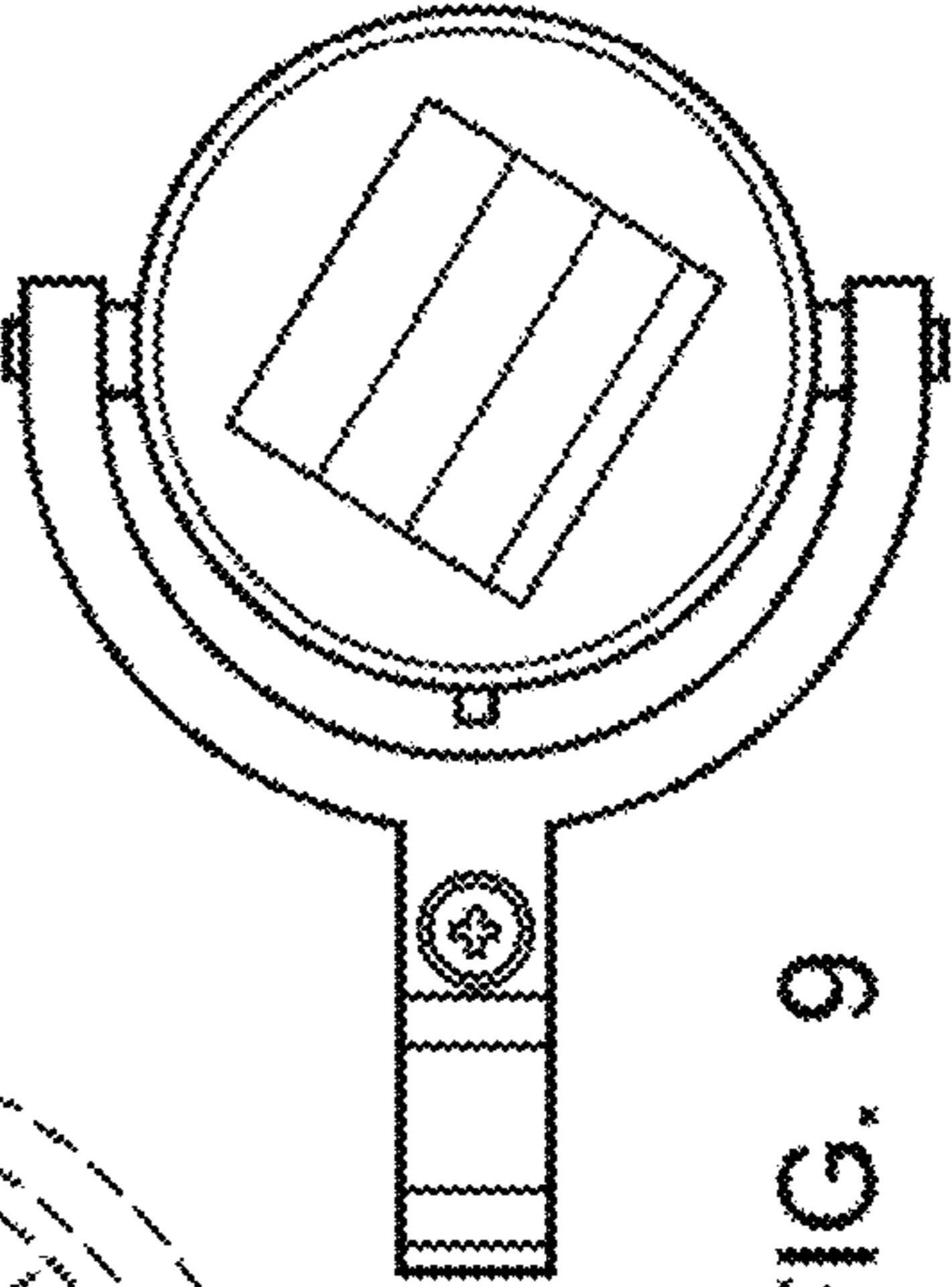


FIG. 9

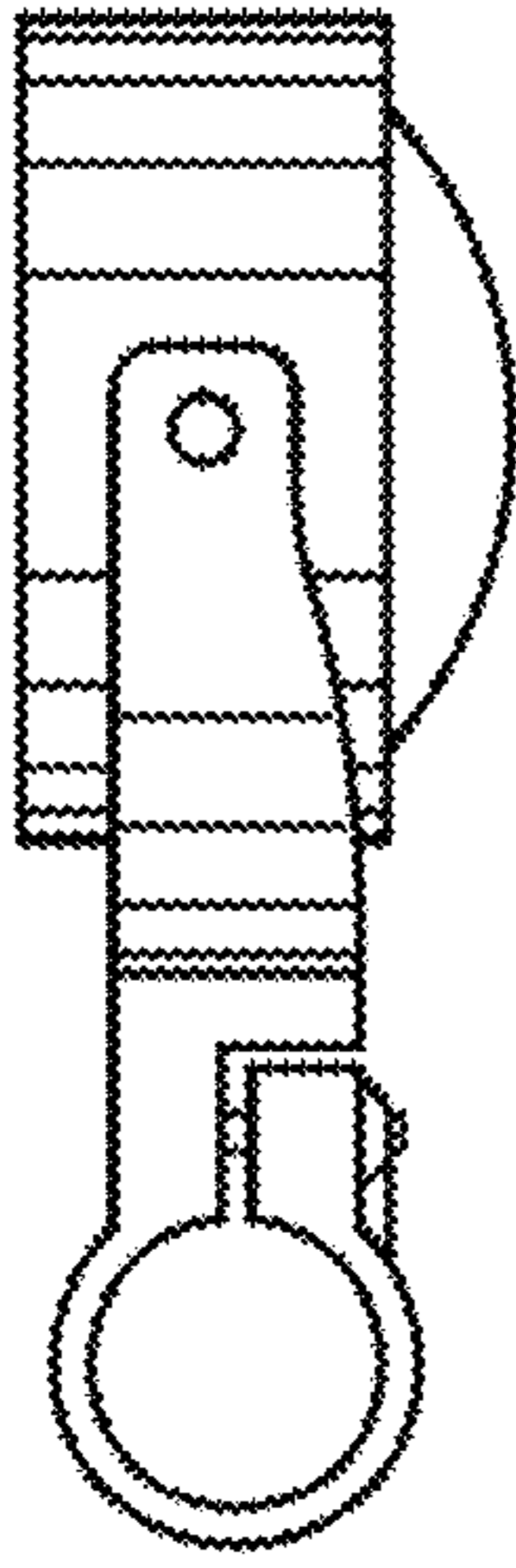


FIG. 11

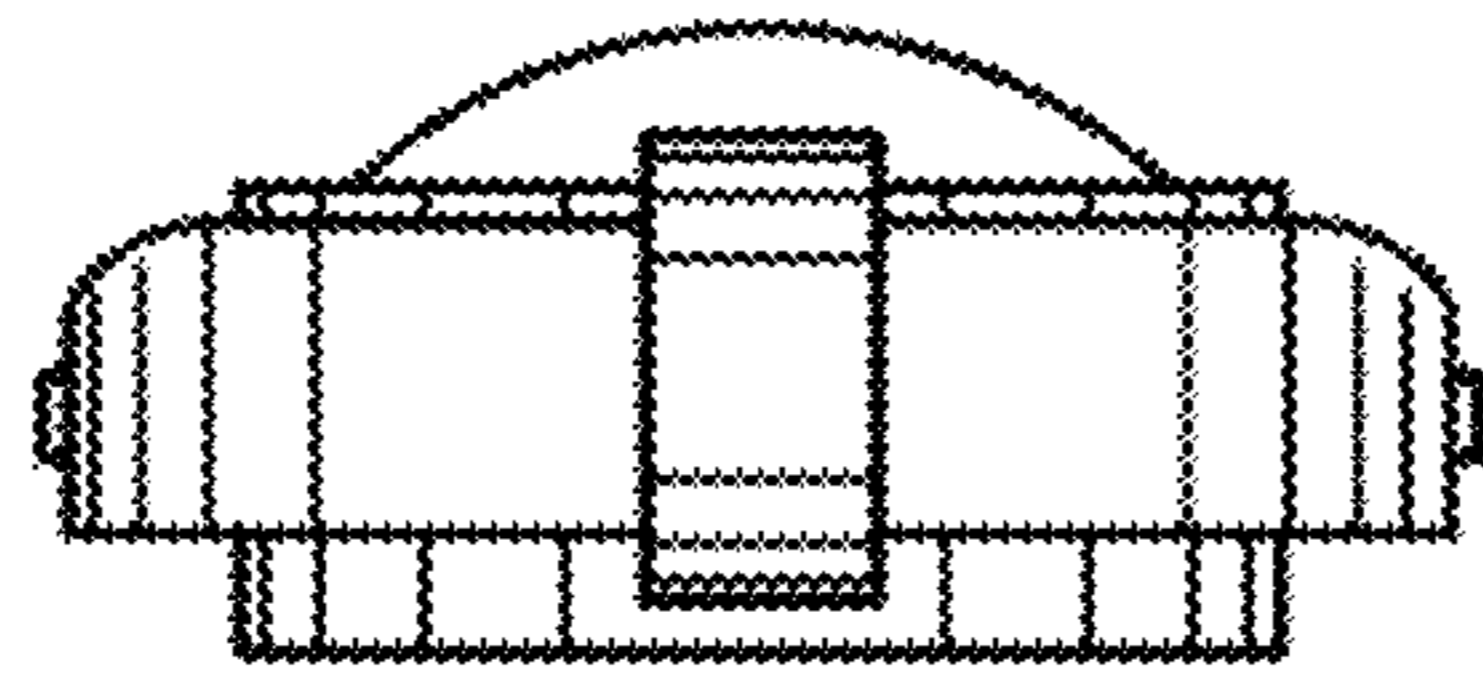


FIG. 10

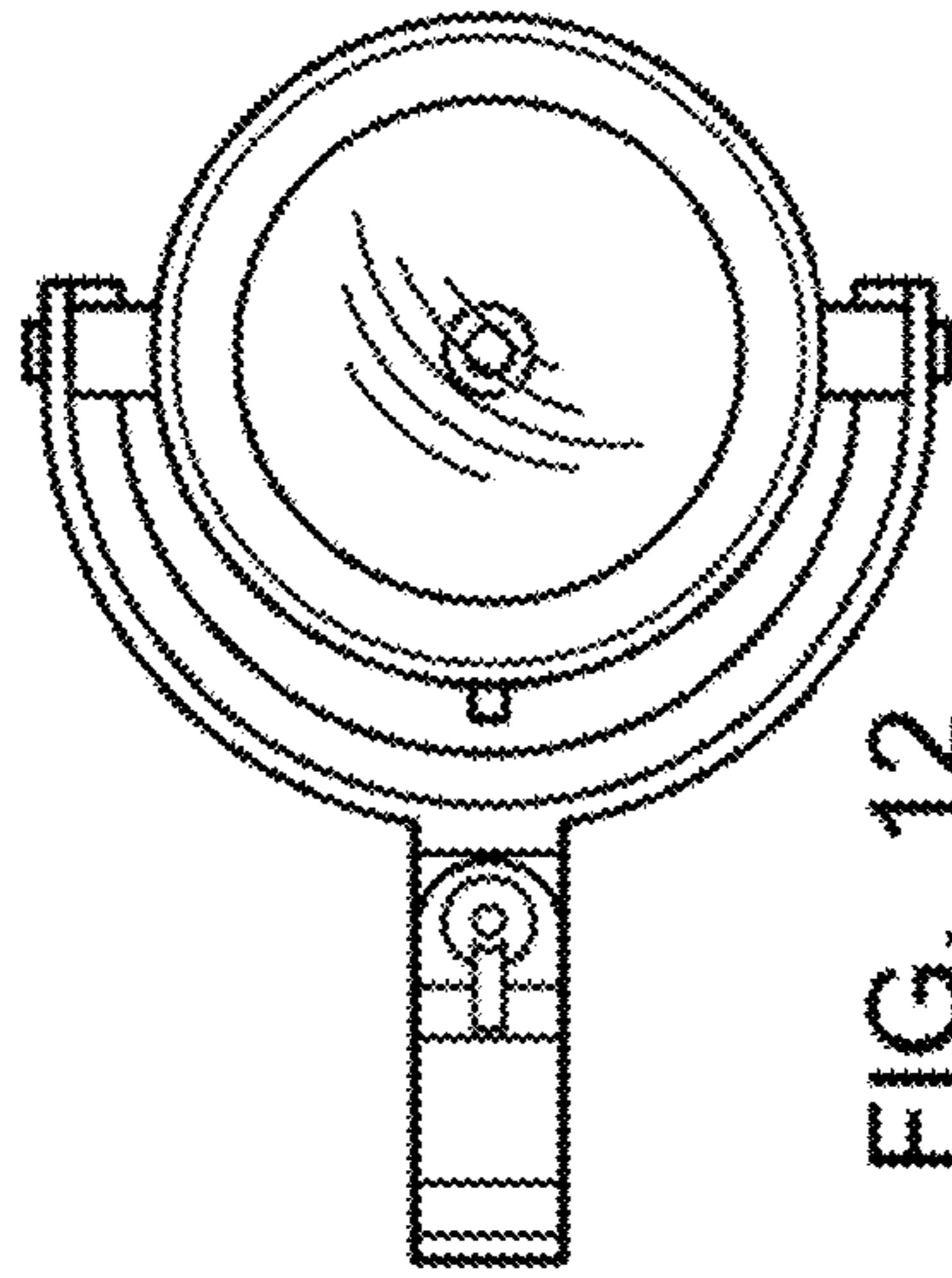


FIG. 12

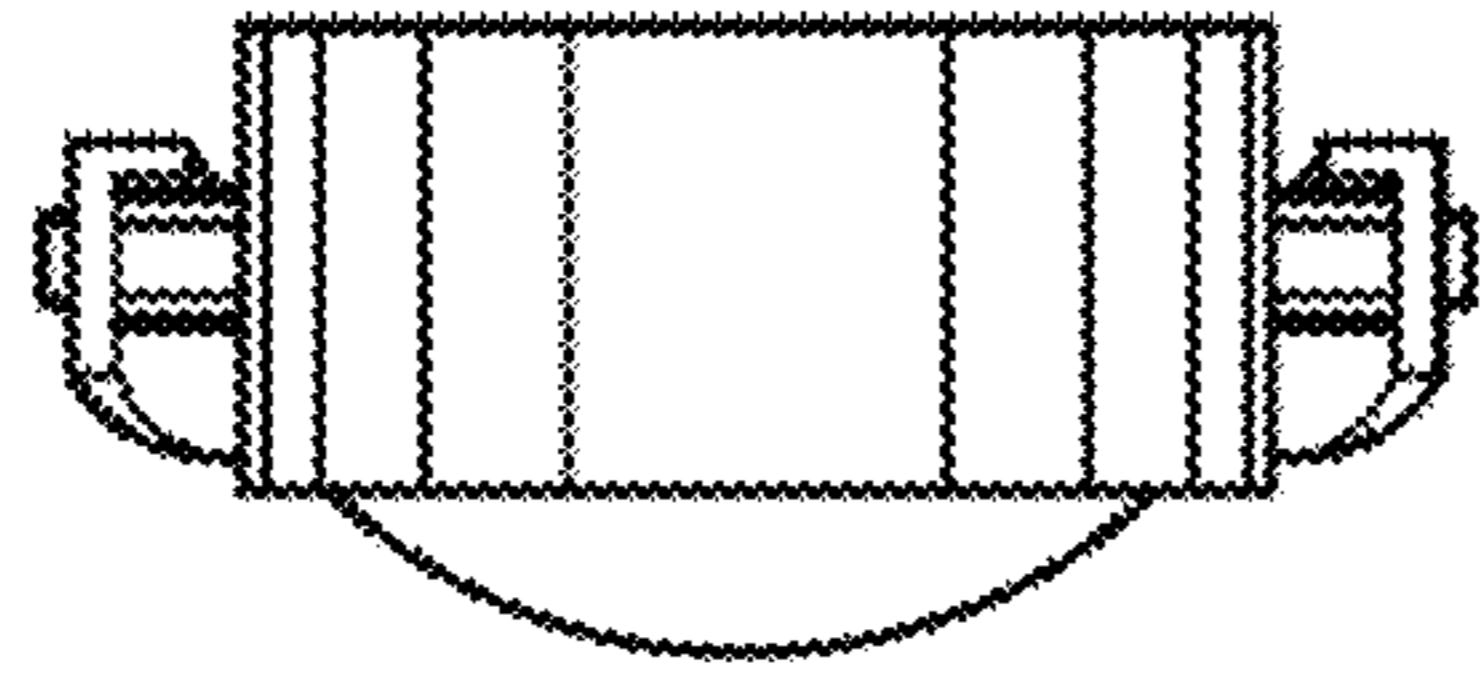


FIG. 14

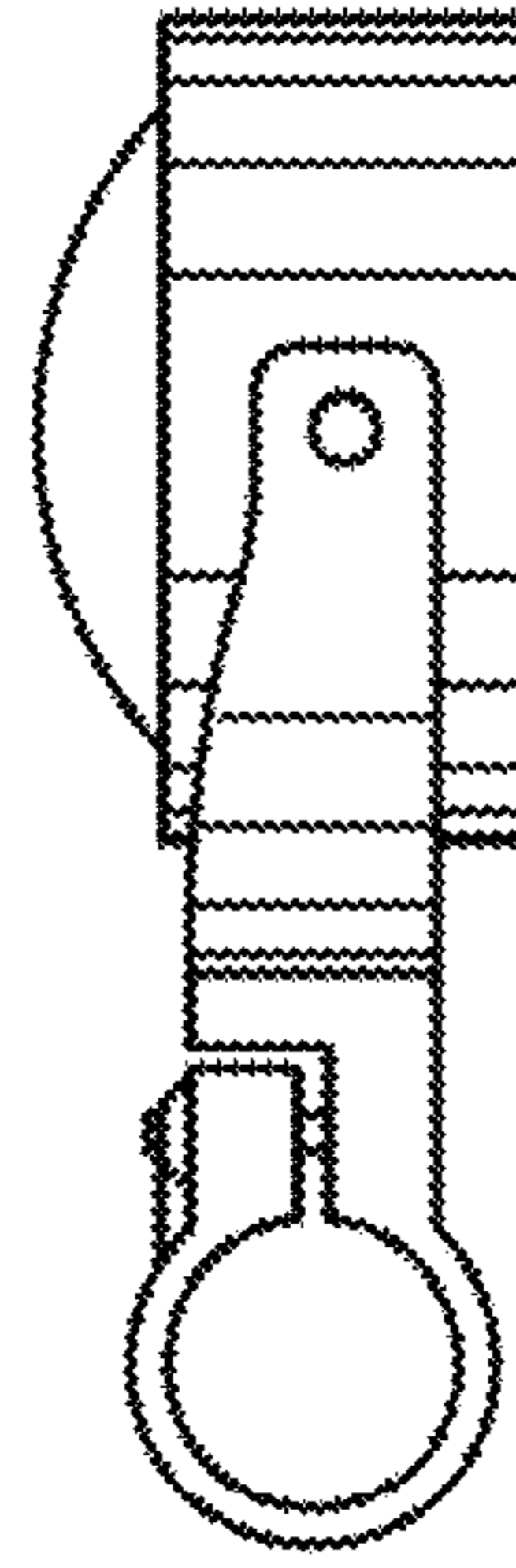


FIG. 13