



US00D680251S

(12) **United States Design Patent**  
**Stewart**

(10) **Patent No.:** **US D680,251 S**

(45) **Date of Patent:** **\*\* Apr. 16, 2013**

(54) **LIGHT**

(76) Inventor: **Wayne Stewart**, Springville, UT (US)

(\*\*) Term: **14 Years**

(21) Appl. No.: **29/428,207**

(22) Filed: **Jul. 27, 2012**

**Related U.S. Application Data**

(63) Continuation of application No. 29/424,154, filed on Jun. 7, 2012.

(51) **LOC (9) Cl.** ..... **26-02**

(52) **U.S. Cl.**  
USPC ..... **D26/49**

(58) **Field of Classification Search** ..... D26/37,  
D26/40, 41, 42, 44, 46, 49, 61, 75; 362/157,  
362/158, 184, 194–196, 197, 202–208, 171–174  
See application file for complete search history.

(56) **References Cited**

**U.S. PATENT DOCUMENTS**

5,032,824	A	7/1991	Corbin	
D376,216	S	12/1996	Yuen	
5,764,132	A	6/1998	Hill	
D510,637	S *	10/2005	Chan	D26/49
D580,080	S *	11/2008	Ho	D26/49
D585,577	S *	1/2009	Bonis	D26/49
D586,025	S *	2/2009	Bonis	D26/49
D596,772	S *	7/2009	Chang	D26/49

D599,928	S *	9/2009	Shiu	D26/49
D639,477	S *	6/2011	Robinson	D26/49
D640,400	S *	6/2011	Huang	D26/49
D641,093	S *	7/2011	Kidman	D26/49
D649,670	S *	11/2011	Robinson	D26/49
D659,272	S *	5/2012	Nguyen et al.	D26/49
D659,869	S *	5/2012	Prieto	D26/49
D671,249	S *	11/2012	Sheikh et al.	D26/38

\* cited by examiner

*Primary Examiner* — Ian Simmons

*Assistant Examiner* — Carissa C Fitts

(74) *Attorney, Agent, or Firm* — Pate Baird, PLLC

(57) **CLAIM**

The ornamental design for a light, as shown and described.

**DESCRIPTION**

FIG. 1 is a frontal perspective view of a light in accordance with the invention;

FIG. 2 is a rear perspective view thereof;

FIG. 3 is a left side elevation view thereof;

FIG. 4 is a right side elevation view thereof;

FIG. 5 is a front end elevation view thereof;

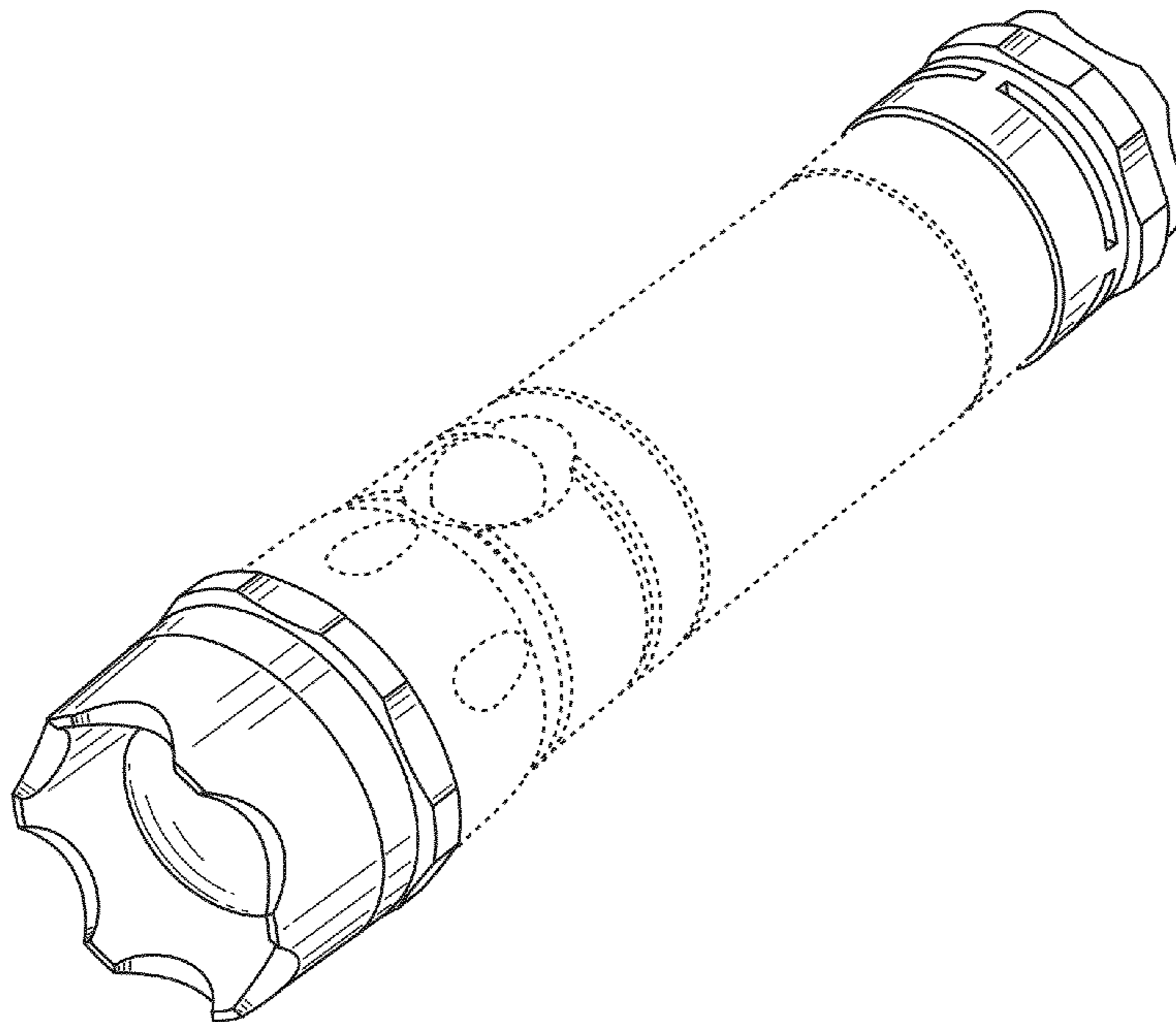
FIG. 6 is a rear end elevation view thereof;

FIG. 7 is a top plan view thereof; and,

FIG. 8 is a bottom plan view thereof.

The broken line showing of a light is for the purpose of illustrating environmental structure and forms no part of the claimed design.

**1 Claim, 3 Drawing Sheets**



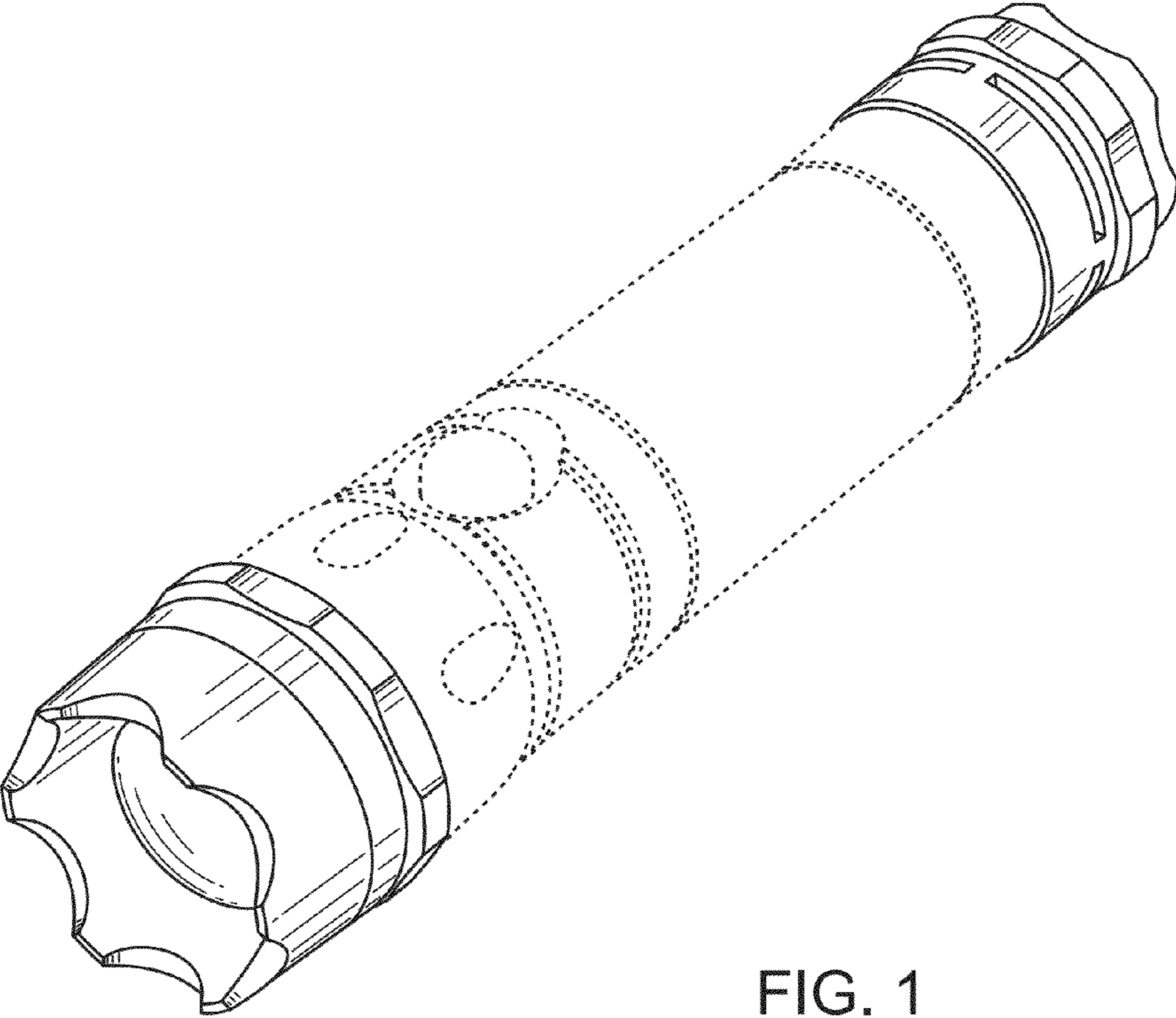


FIG. 1

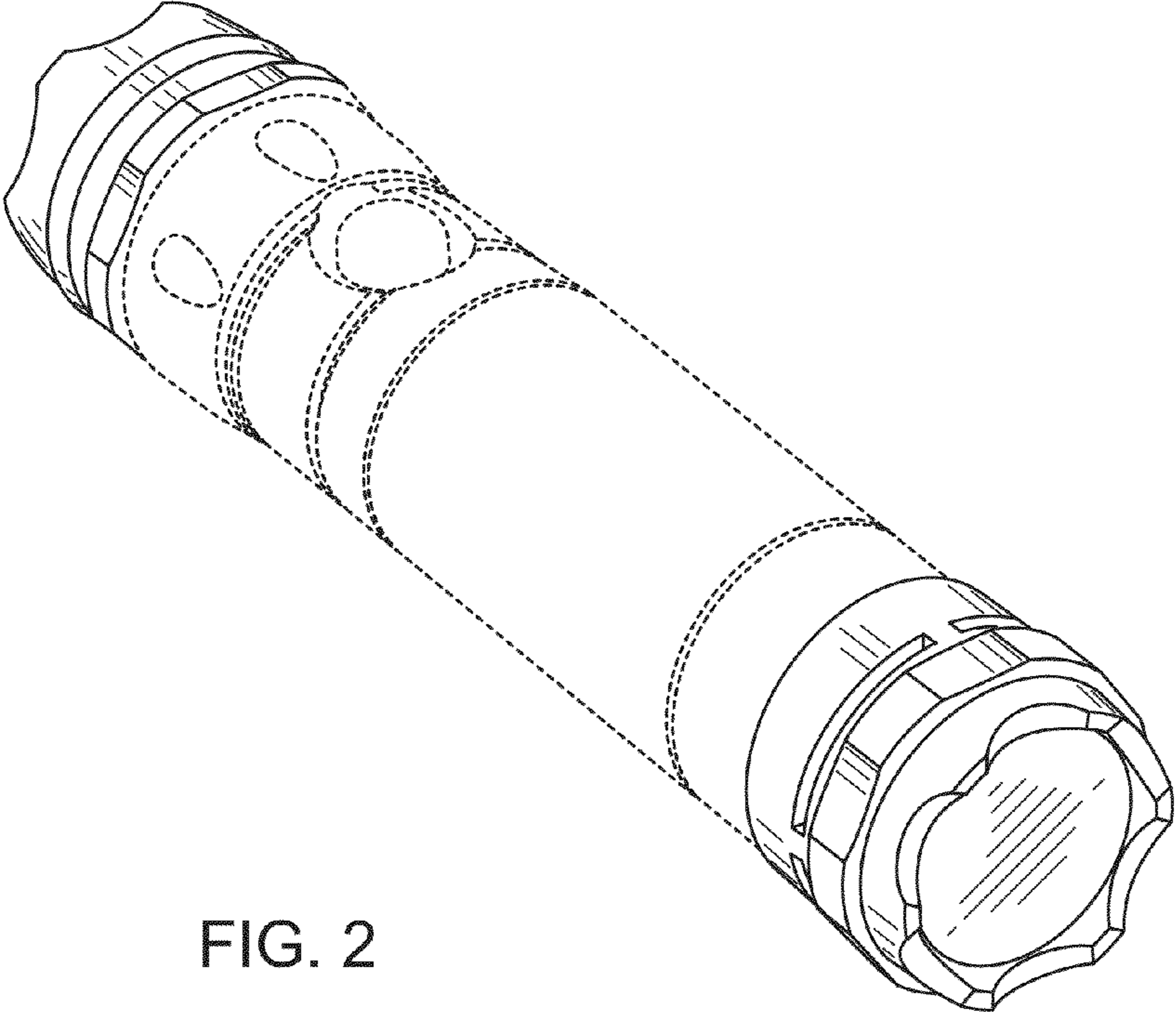


FIG. 2

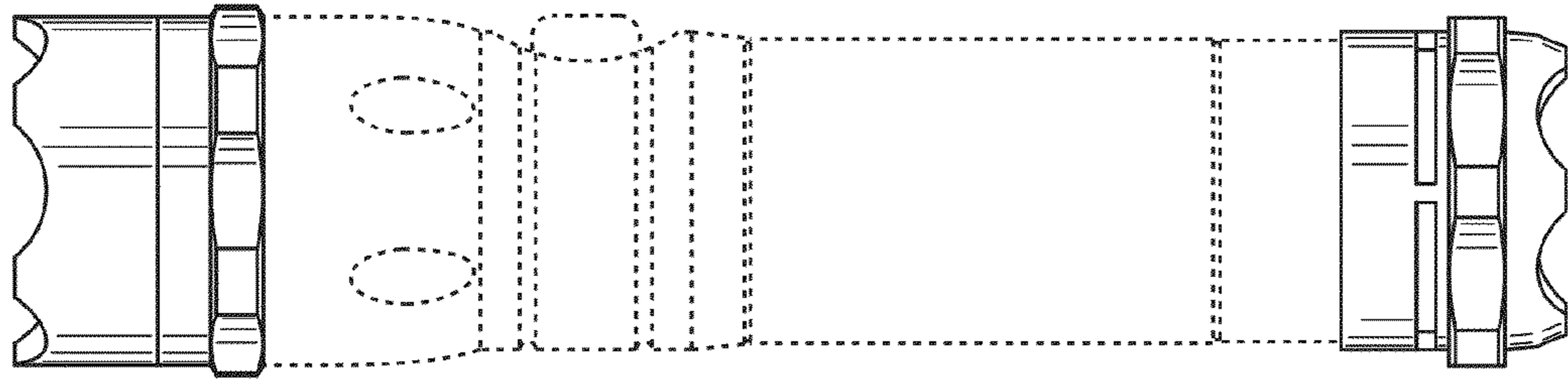


FIG. 3

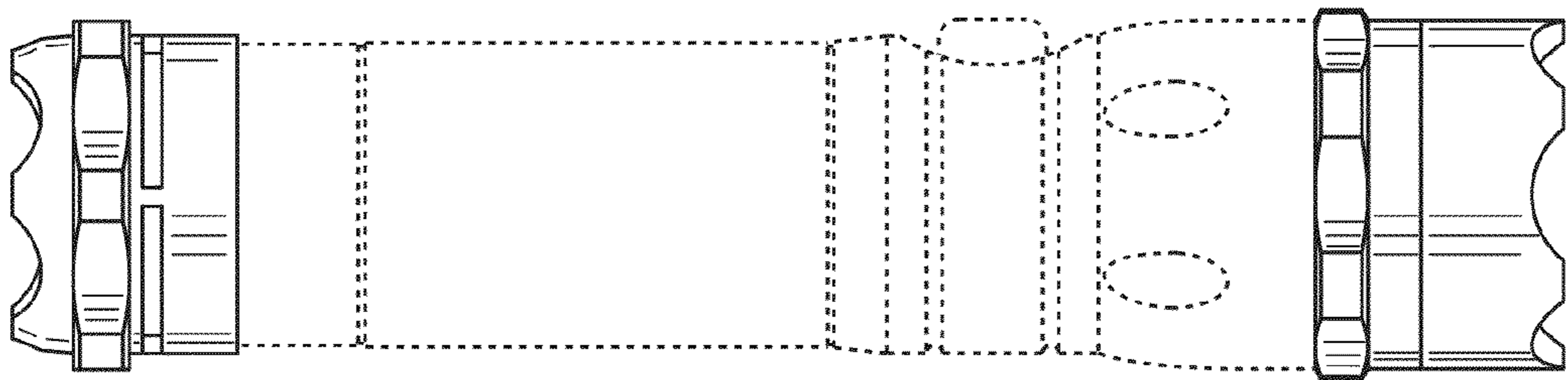


FIG. 4

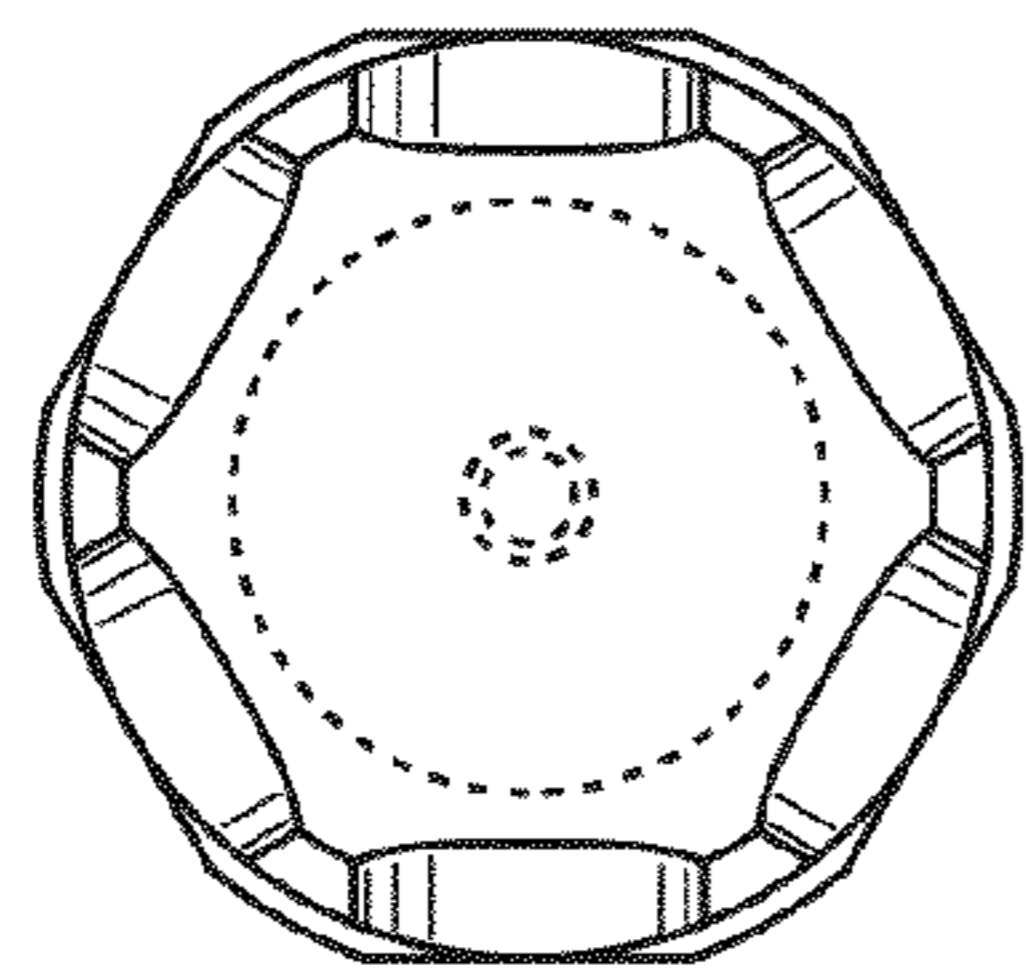


FIG. 5

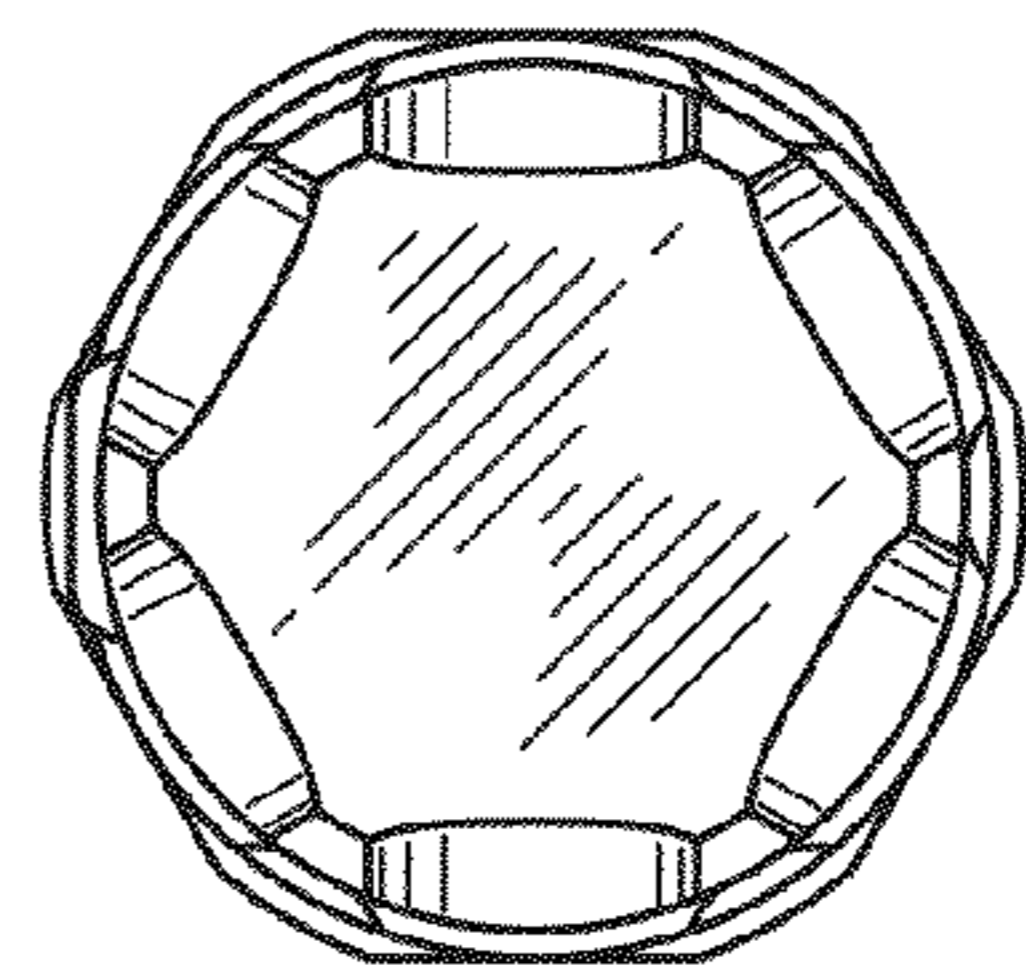


FIG. 6

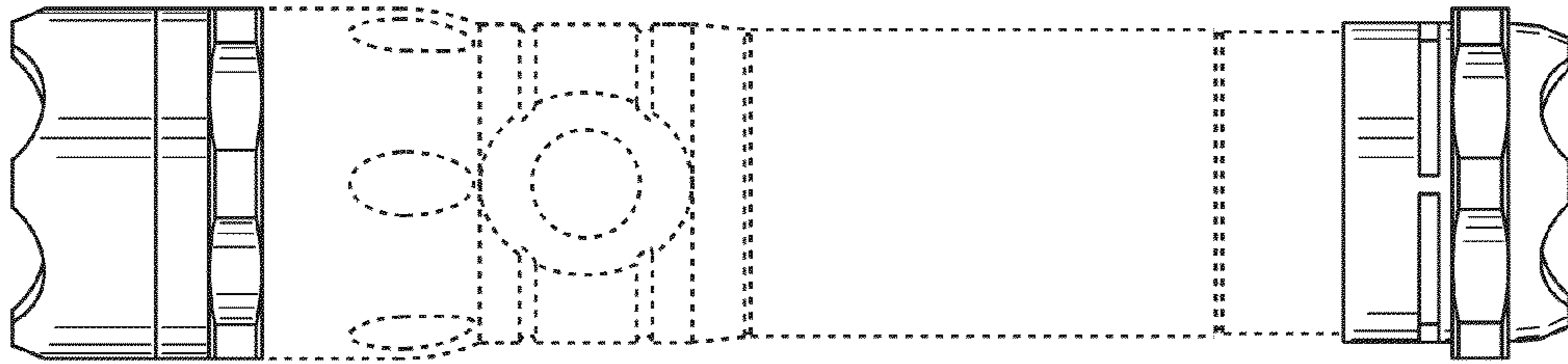


FIG. 7

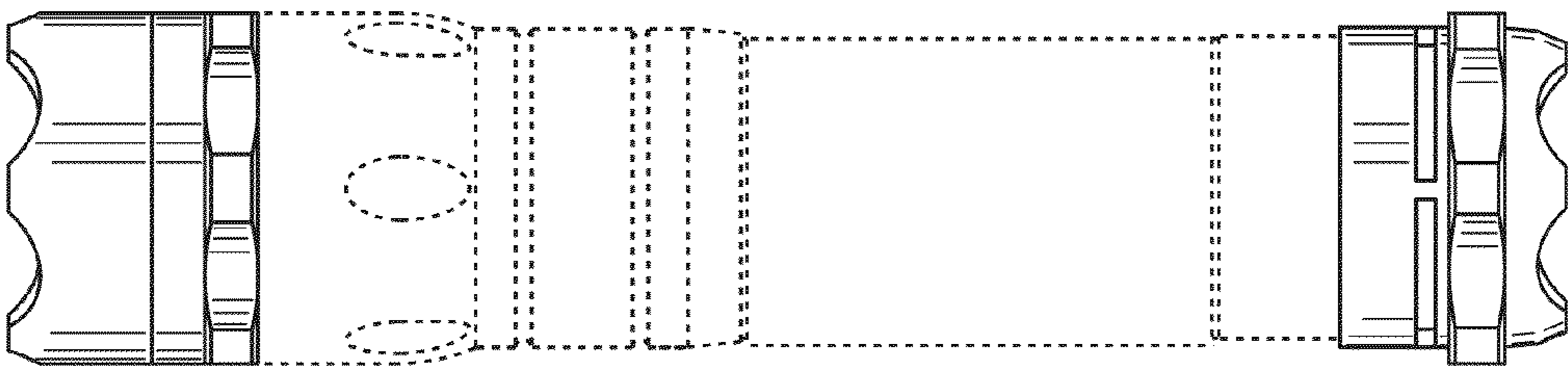


FIG. 8