



US00D680250S

(12) **United States Design Patent**
Opolka

(10) **Patent No.:** **US D680,250 S**
(45) **Date of Patent:** **** Apr. 16, 2013**

(54) **HEAD LAMP**

(75) Inventor: **Rainer Opolka**, Solingen (DE)

(73) Assignee: **Zweibrueder Optoelectronics GmbH**, Solingen (DE)

(**) Term: **14 Years**

(21) Appl. No.: **29/399,548**

(22) Filed: **Aug. 16, 2011**

Related U.S. Application Data

(62) Division of application No. 29/369,213, filed on Sep. 3, 2010.

(51) **LOC (9) Cl.** **26-02**

(52) **U.S. Cl.**
USPC **D26/39**

(58) **Field of Classification Search** D26/37,
D26/38, 39, 46; 362/157, 158, 184, 186,
362/194-196

See application file for complete search history.

(56) **References Cited**

U.S. PATENT DOCUMENTS

D361,396 S * 8/1995 Bruckler D26/39
D394,720 S * 5/1998 Yuen D26/39

D411,894 S * 7/1999 Rick D26/39
D489,838 S * 5/2004 Opolka D26/39
D552,278 S * 10/2007 Spartano et al. D26/39
D583,971 S * 12/2008 Castellucci et al. D26/39
D597,676 S * 8/2009 Copeland et al. D24/187
D600,840 S * 9/2009 Lagassey D26/37
D605,320 S * 12/2009 Moudry et al. D26/39
D609,834 S * 2/2010 Shiu D26/39
D625,863 S * 10/2010 Kingston et al. D26/39
D638,964 S * 5/2011 Cappuccio D26/39

* cited by examiner

Primary Examiner — Ian Simmons

Assistant Examiner — Carissa C Fitts

(74) *Attorney, Agent, or Firm* — Andrew Wilford

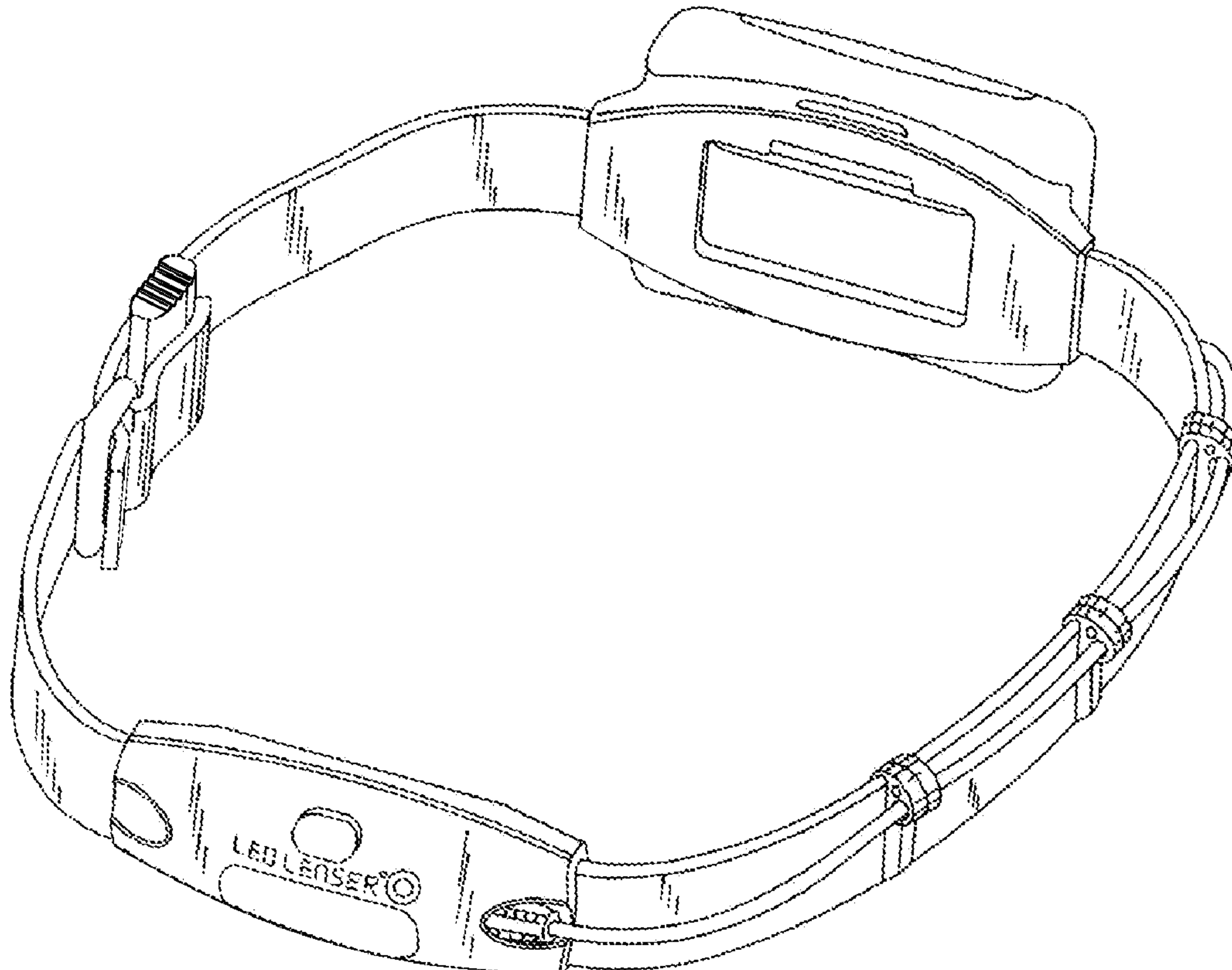
(57) **CLAIM**

The ornamental design for a head lamp, as shown and described.

DESCRIPTION

FIG. 1 is a perspective view of the invention;
FIG. 2 is a left side elevational view of the invention;
FIG. 3 is a right side elevational view of the invention;
FIG. 4 is a top view of the invention;
FIG. 5 is a bottom view of the invention;
FIG. 6 is a back view of the invention; and,
FIG. 7 is a front view of the invention.

1 Claim, 5 Drawing Sheets



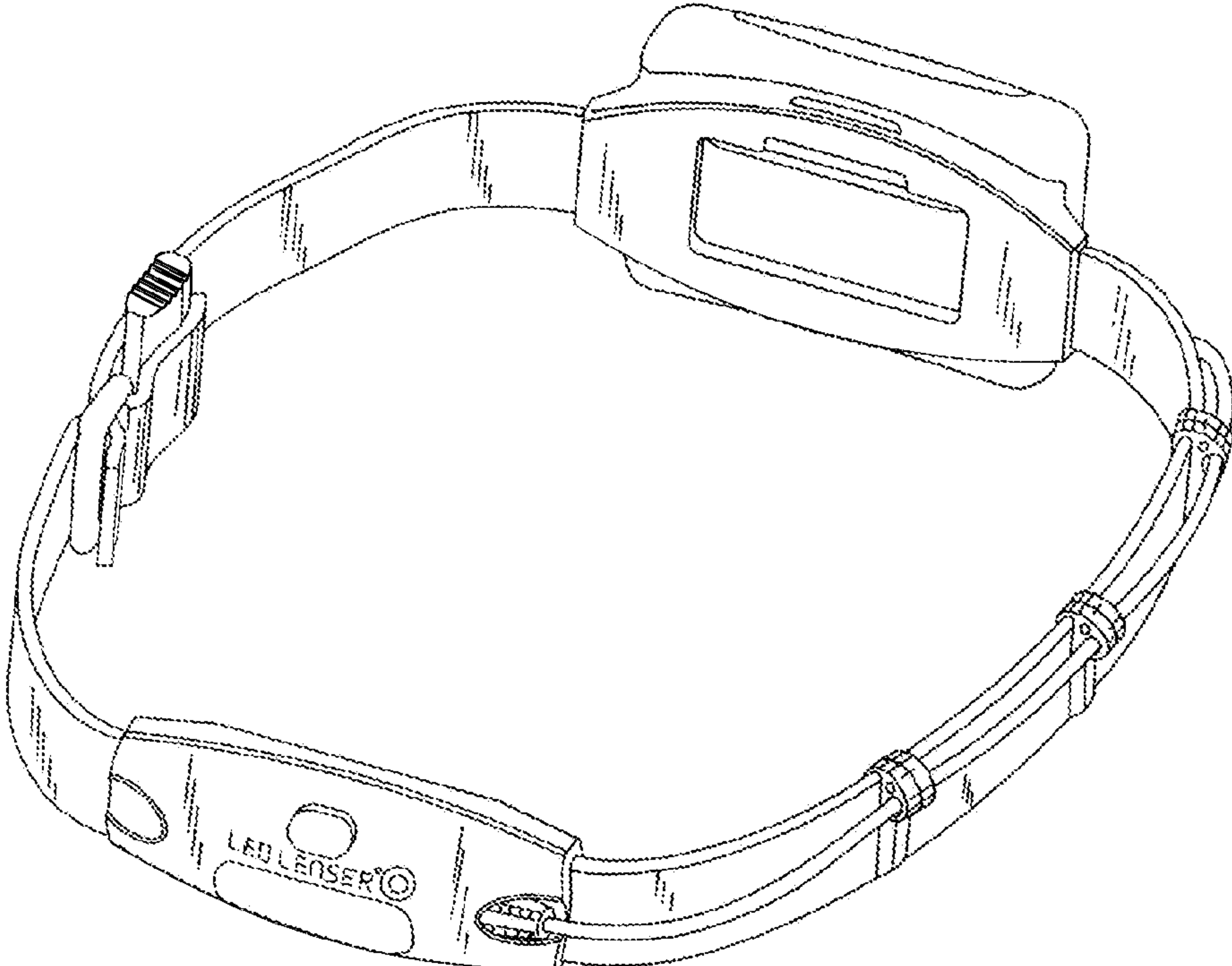


Fig. 1

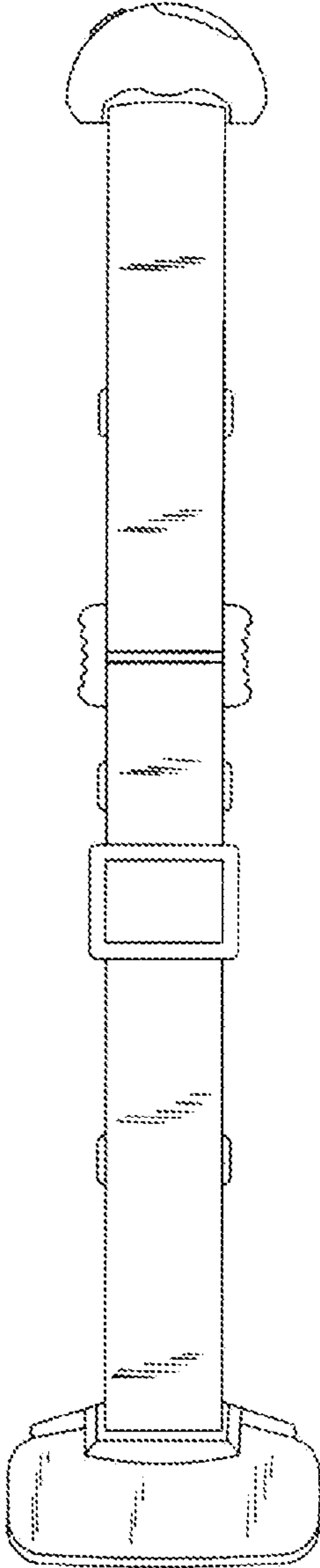


Fig. 2

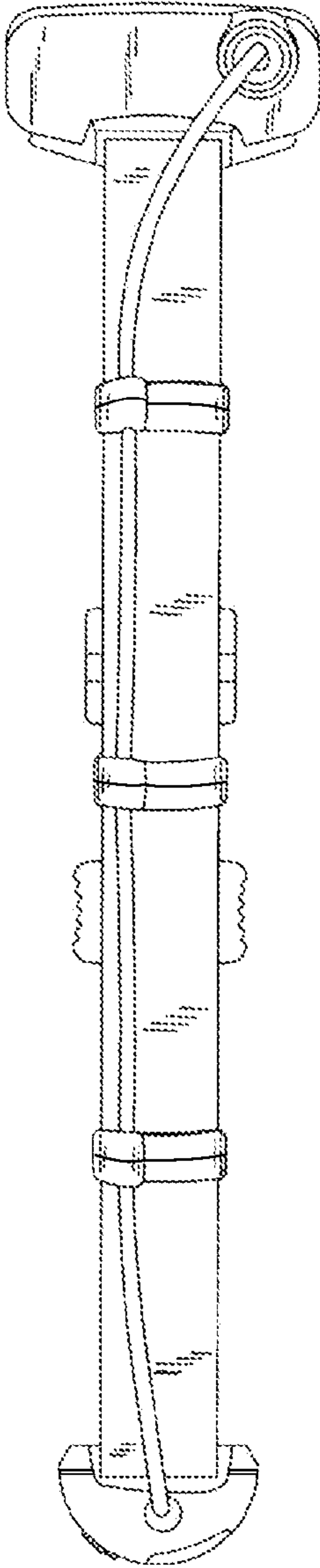


Fig. 3

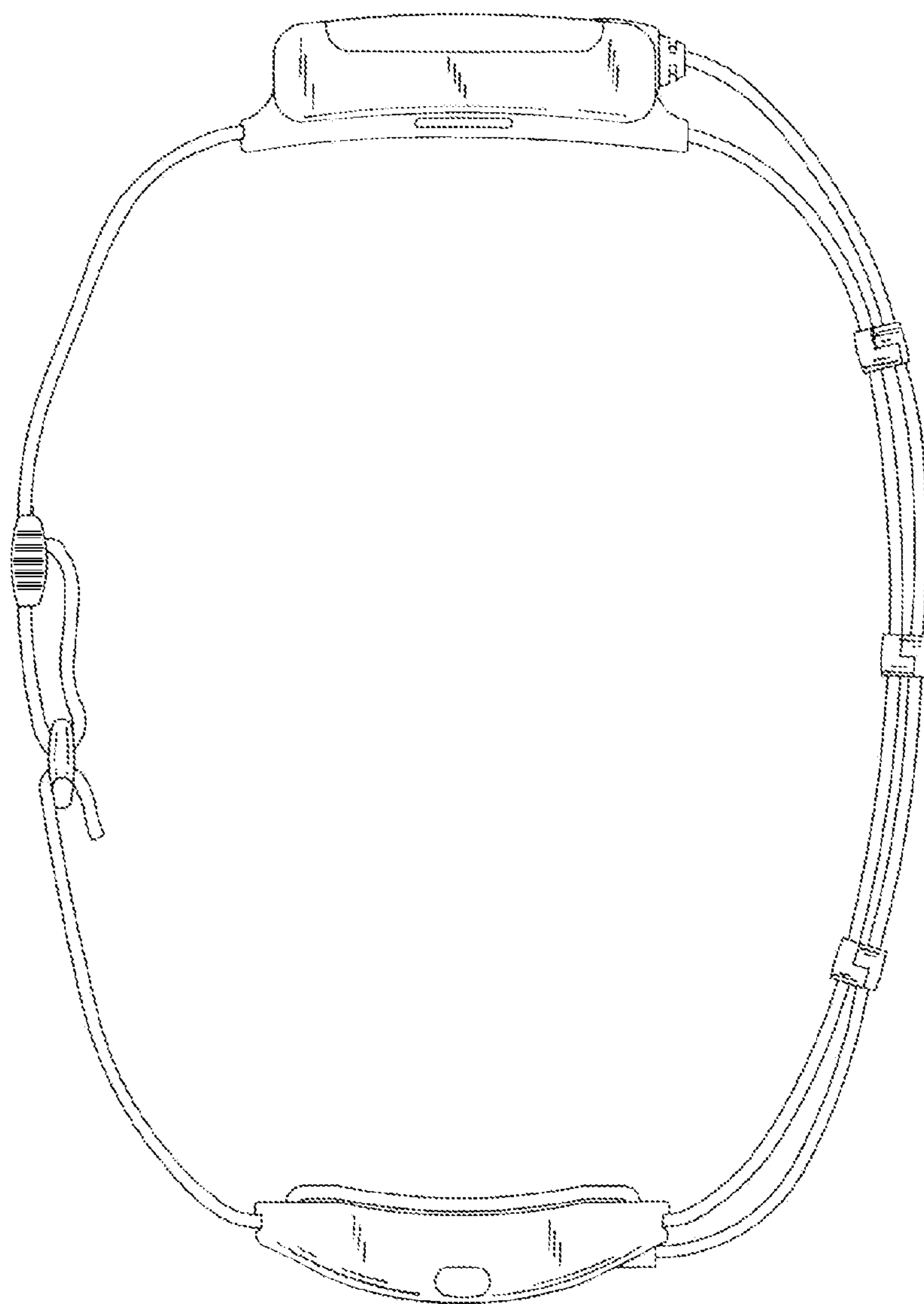


Fig. 4

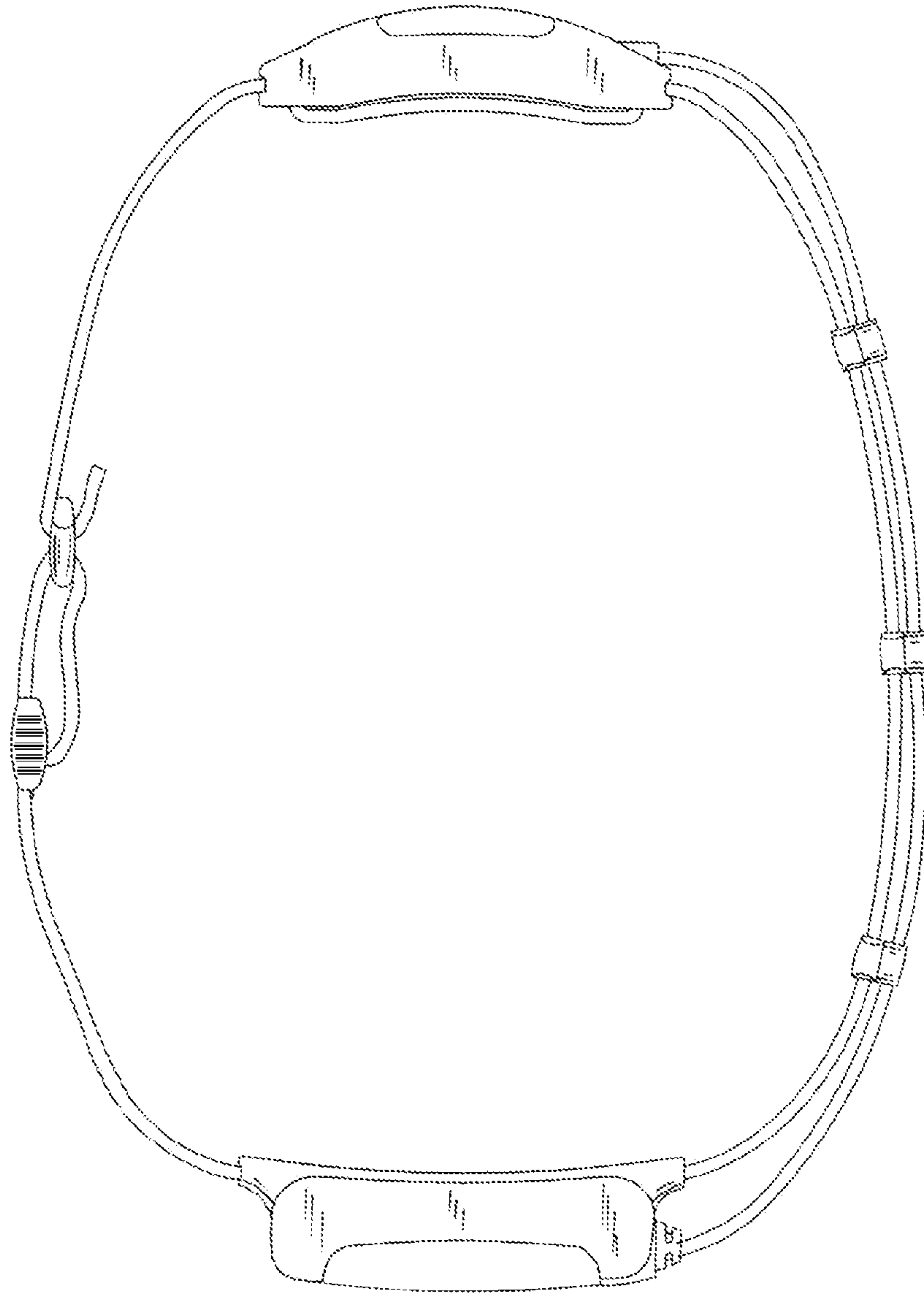


Fig. 5

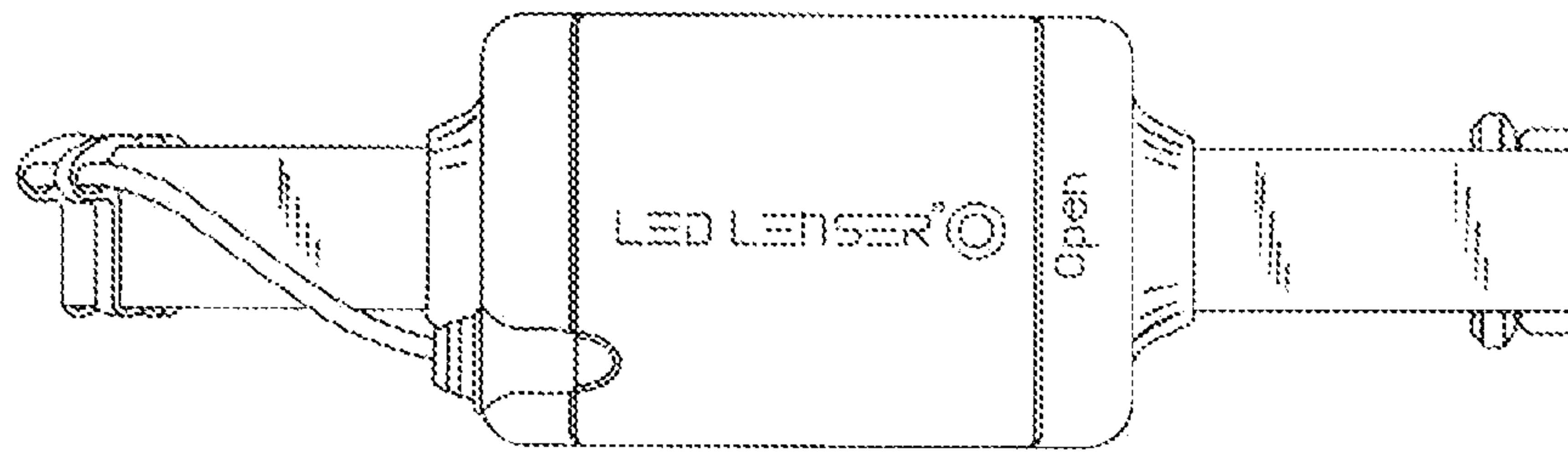


Fig. 6

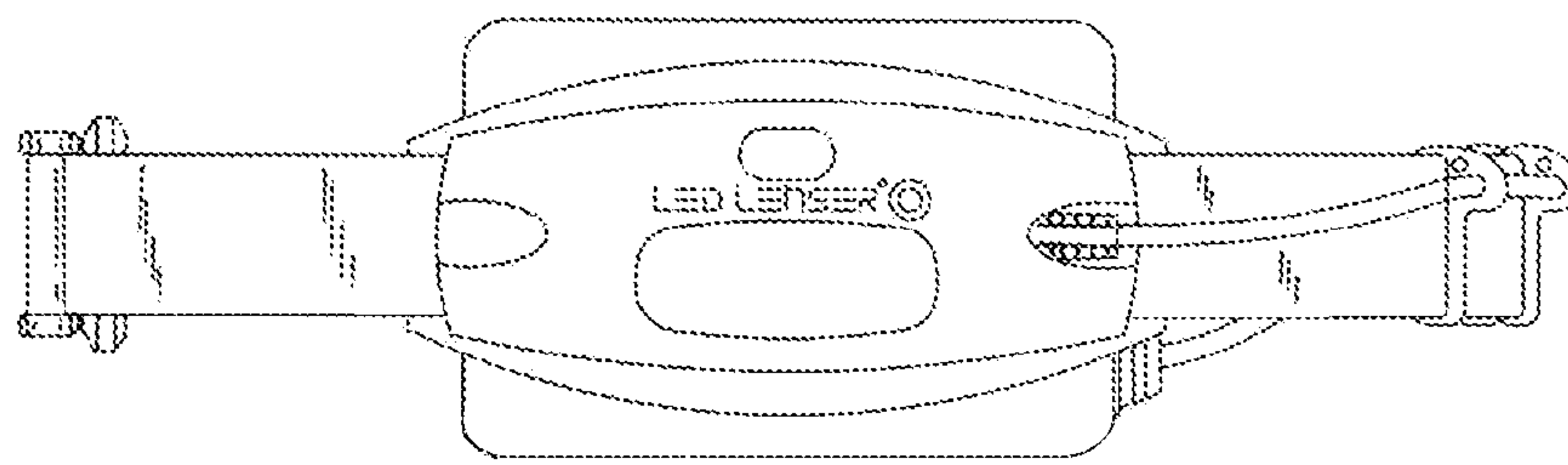


Fig. 7