



US00D680249S

(12) **United States Design Patent**  
**Iwai et al.**

(10) **Patent No.:** **US D680,249 S**  
(45) **Date of Patent:** **\*\* Apr. 16, 2013**

(54) **REAR COMBINATION LAMP FOR  
AUTOMOBILE**

(75) Inventors: **Takeshi Iwai**, Kanagawa (JP); **Naoyuki  
Ohkoshi**, Kanagawa (JP)

(73) Assignee: **Nissan Motor Co., Ltd.**, Yokohama (JP)

(\*\*) Term: **14 Years**

(21) Appl. No.: **29/407,533**

(22) Filed: **Nov. 30, 2011**

(30) **Foreign Application Priority Data**

Jul. 13, 2011 (JP) ..... 2011-016027

(51) **LOC (9) Cl.** ..... **26-06**

(52) **U.S. Cl.**  
USPC ..... **D26/28**

(58) **Field of Classification Search** ..... D26/28-36;  
362/459-468, 475-478, 485-487  
See application file for complete search history.

(56) **References Cited**

**U.S. PATENT DOCUMENTS**

D550,380 S \* 9/2007 Lin ..... D26/28  
D552,769 S \* 10/2007 Leclercq ..... D26/28  
D565,211 S \* 3/2008 Haller et al. .... D26/28  
D602,616 S \* 10/2009 Okamura et al. .... D26/28  
D605,793 S \* 12/2009 Weil ..... D26/28

**FOREIGN PATENT DOCUMENTS**

JP D1304227 S 6/2007  
JP D1333915 S 6/2008

**OTHER PUBLICATIONS**

[http://www.netcarshow.com/infiniti/2009-fx50/1024x768/wallpaper\\_06.htm](http://www.netcarshow.com/infiniti/2009-fx50/1024x768/wallpaper_06.htm).

[http://www.netcarshow.com/infiniti/2011-ex30d/1024x768/wallpaper\\_09.htm](http://www.netcarshow.com/infiniti/2011-ex30d/1024x768/wallpaper_09.htm).

\* cited by examiner

*Primary Examiner* — Marcus Jackson

(74) *Attorney, Agent, or Firm* — Global IP Counselors, LLP

(57) **CLAIM**

The ornamental design for a rear combination lamp for an automobile, as shown and described.

**DESCRIPTION**

FIG. 1 is a front elevational view of a rear combination lamp for an automobile in accordance with our new design; FIG. 2 is a top plan view of the rear combination lamp in accordance with our new design of FIG. 1; FIG. 3 is a bottom plan view of the rear combination lamp in accordance with our new design of FIGS. 1 and 2; FIG. 4 is a left side elevational view of the rear combination lamp in accordance with our new design of FIGS. 1 to 3; and, FIG. 5 is a front side perspective view of the rear combination lamp in accordance with our new design of FIGS. 1 to 4. The appearance of the rear side of the rear combination lamp as seen in FIGS. 2-5 is for purpose of illustrating the boundaries of the exterior surface of the front side of the rear combination lamp, and forms no part of the claimed design.

**1 Claim, 5 Drawing Sheets**



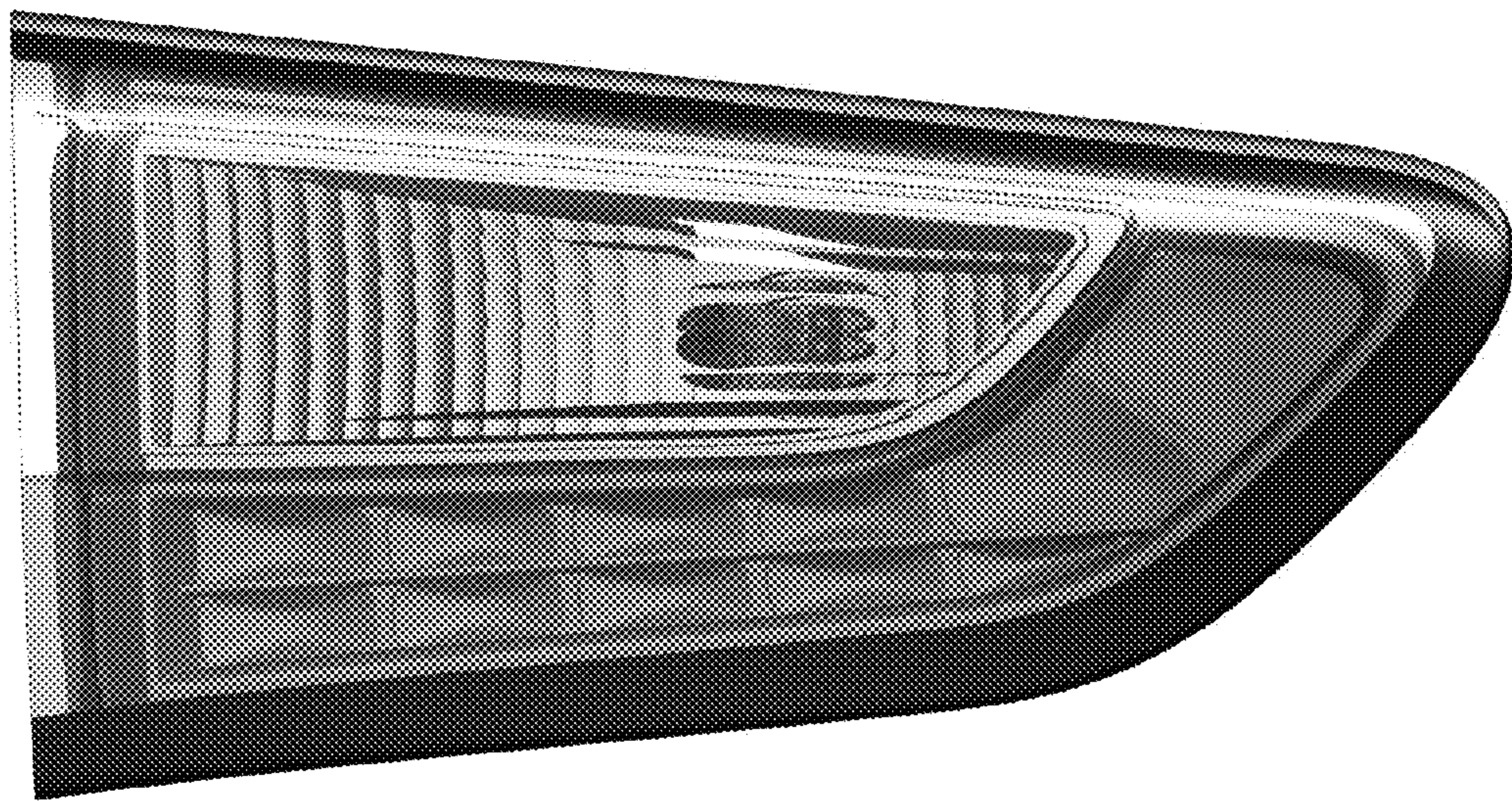


FIG. 1

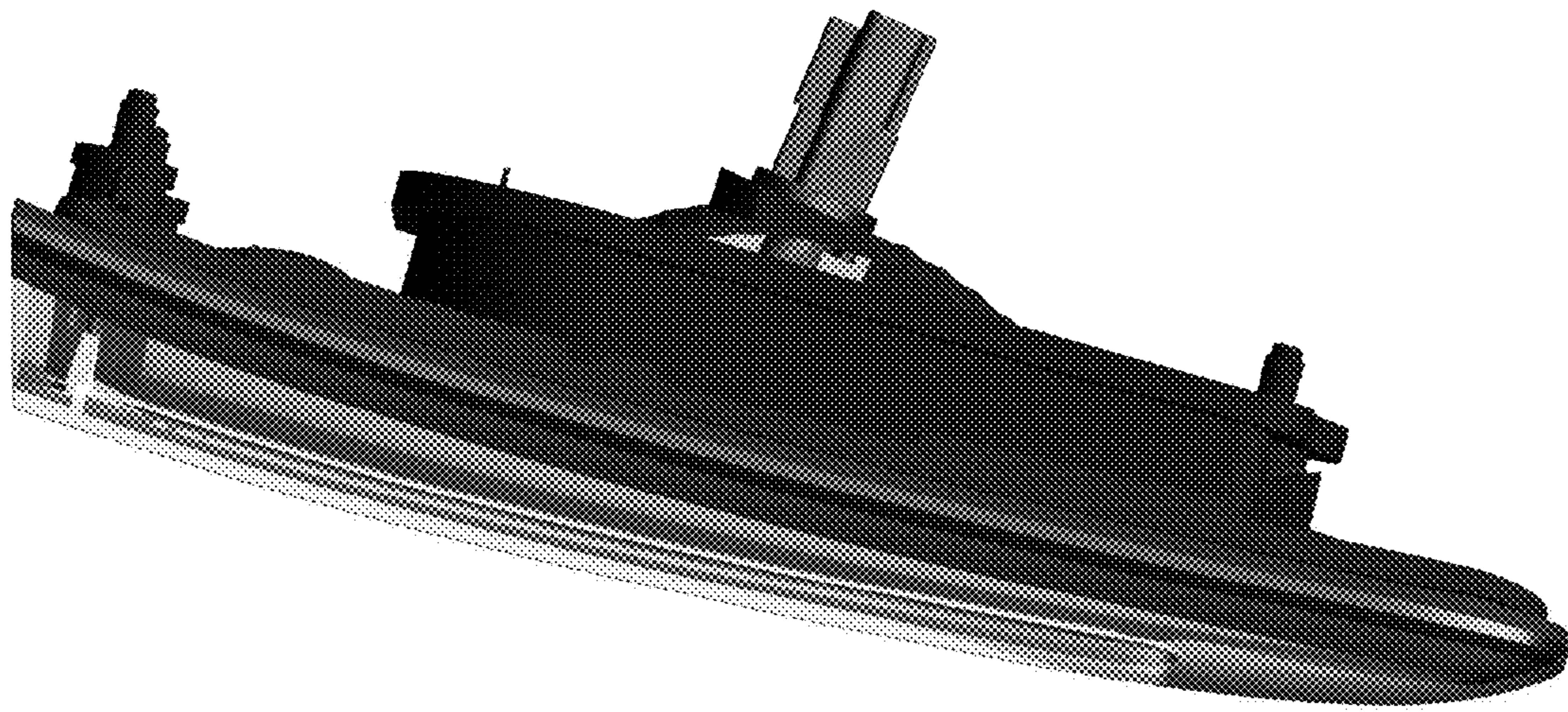


FIG. 2

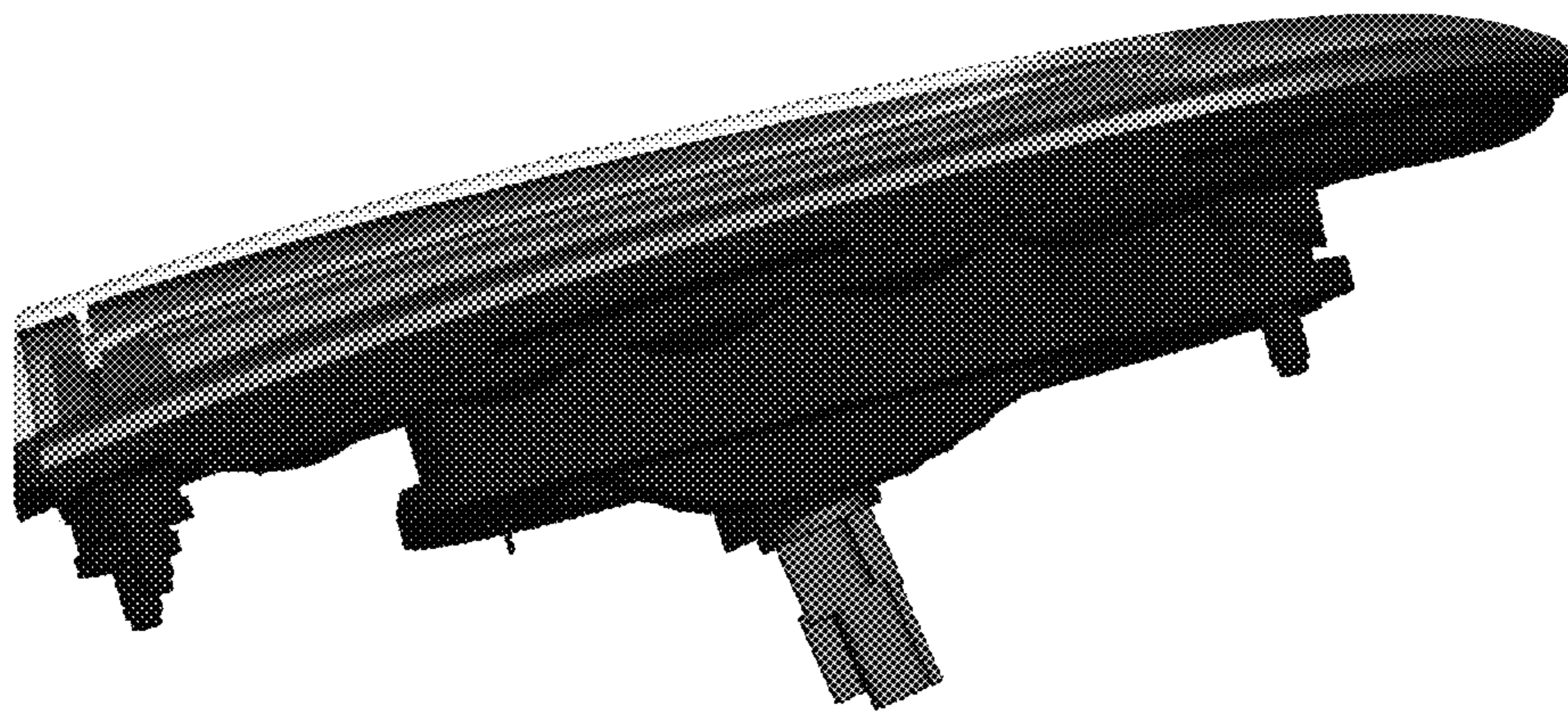


FIG. 3

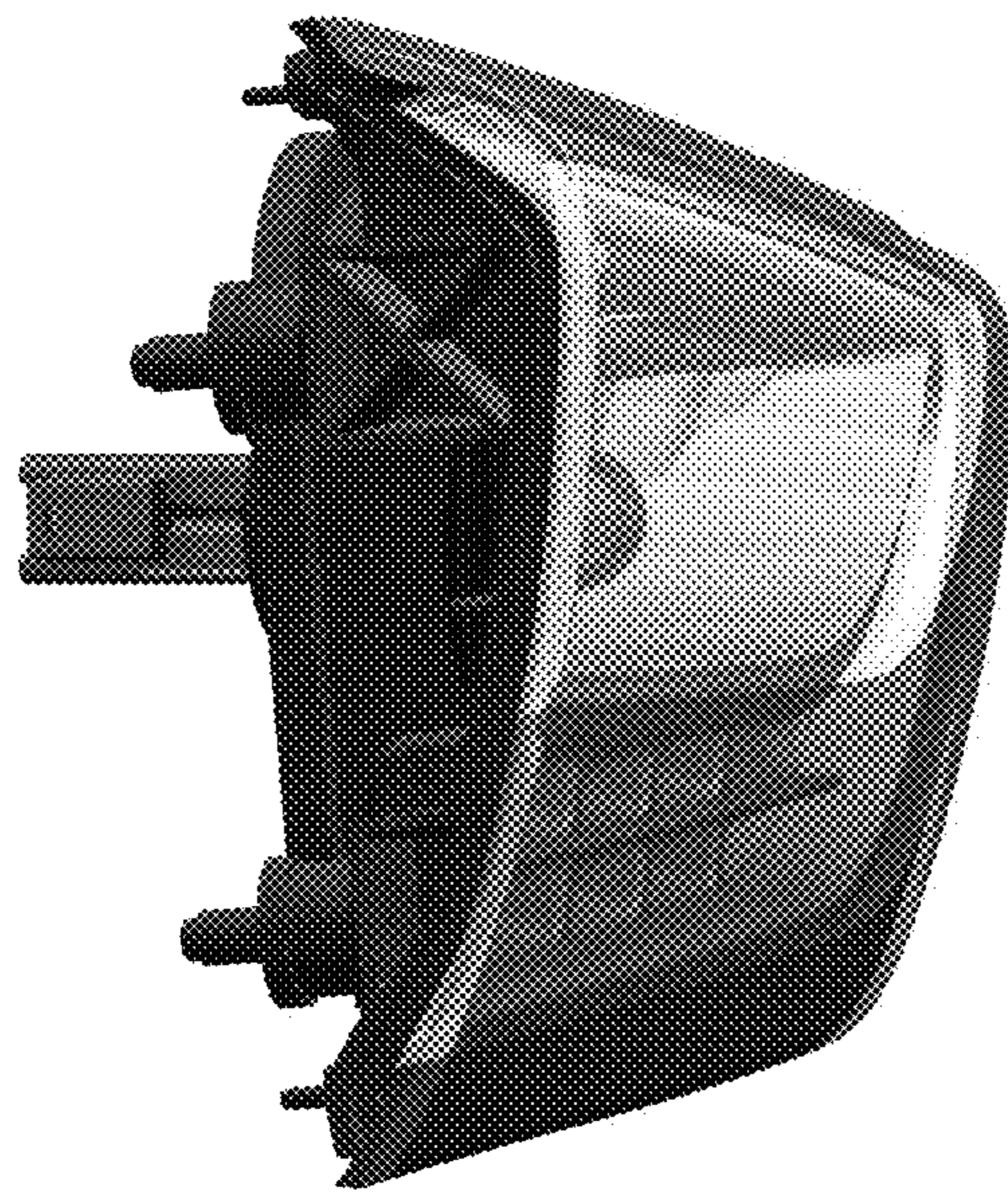


FIG. 4



FIG. 5