



US00D680237S

(12) **United States Design Patent**
Mitchell

(10) **Patent No.:** **US D680,237 S**

(45) **Date of Patent:** **** Apr. 16, 2013**

(54) **WALL TILE KIT**

(76) Inventor: **Duigan Mitchell, Delta (CA)**

(**) Term: **14 Years**

(21) Appl. No.: **29/401,216**

(22) Filed: **Sep. 8, 2011**

(30) **Foreign Application Priority Data**

Mar. 8, 2011 (CA) 139465

(51) **LOC (9) Cl.** **25-01**

(52) **U.S. Cl.**
USPC **D25/151**

(58) **Field of Classification Search** D25/138,
D25/151, 58; 52/262, 266, 267, 270, 272,
52/311.2, 314, 223.6, 223.7, 574, 578, 588.1,
52/605, 800.1; 428/49

See application file for complete search history.

(56) **References Cited**

U.S. PATENT DOCUMENTS

- 2,241,898 A * 5/1941 Bawtenheimer 52/747.12
- 2,949,763 A * 8/1960 Felder 52/415
- 3,216,741 A * 11/1965 Newlin et al. 280/768
- 4,074,489 A * 2/1978 Eckel 52/272
- 6,691,471 B2 * 2/2004 Price 52/169.12
- D510,146 S * 9/2005 Attebery et al. D25/151
- 2004/0006936 A1 * 1/2004 Chezum 52/169.12

2006/0107607 A1* 5/2006 Dillon 52/211
2007/0277473 A1* 12/2007 Richardson 52/716.1

* cited by examiner

Primary Examiner — Doris Clark

(74) *Attorney, Agent, or Firm* — Island IP Law; Stephen R. Burri

(57) **CLAIM**

I claim the ornamental design for a wall tile kit, as shown and described.

DESCRIPTION

FIG. 1 is a perspective view of a first component of a wall tile kit.

FIG. 2 is a front view of the first component of the wall tile kit.

FIG. 3 is a right side view of the first component of the wall tile kit. The left side view is the mirror image of FIG. 3.

FIG. 4 is a top plan view of the first component of the wall tile kit.

FIG. 5 is a bottom plan view of the first component of the wall tile kit.

FIG. 6 is a perspective view of a second component of the wall tile kit.

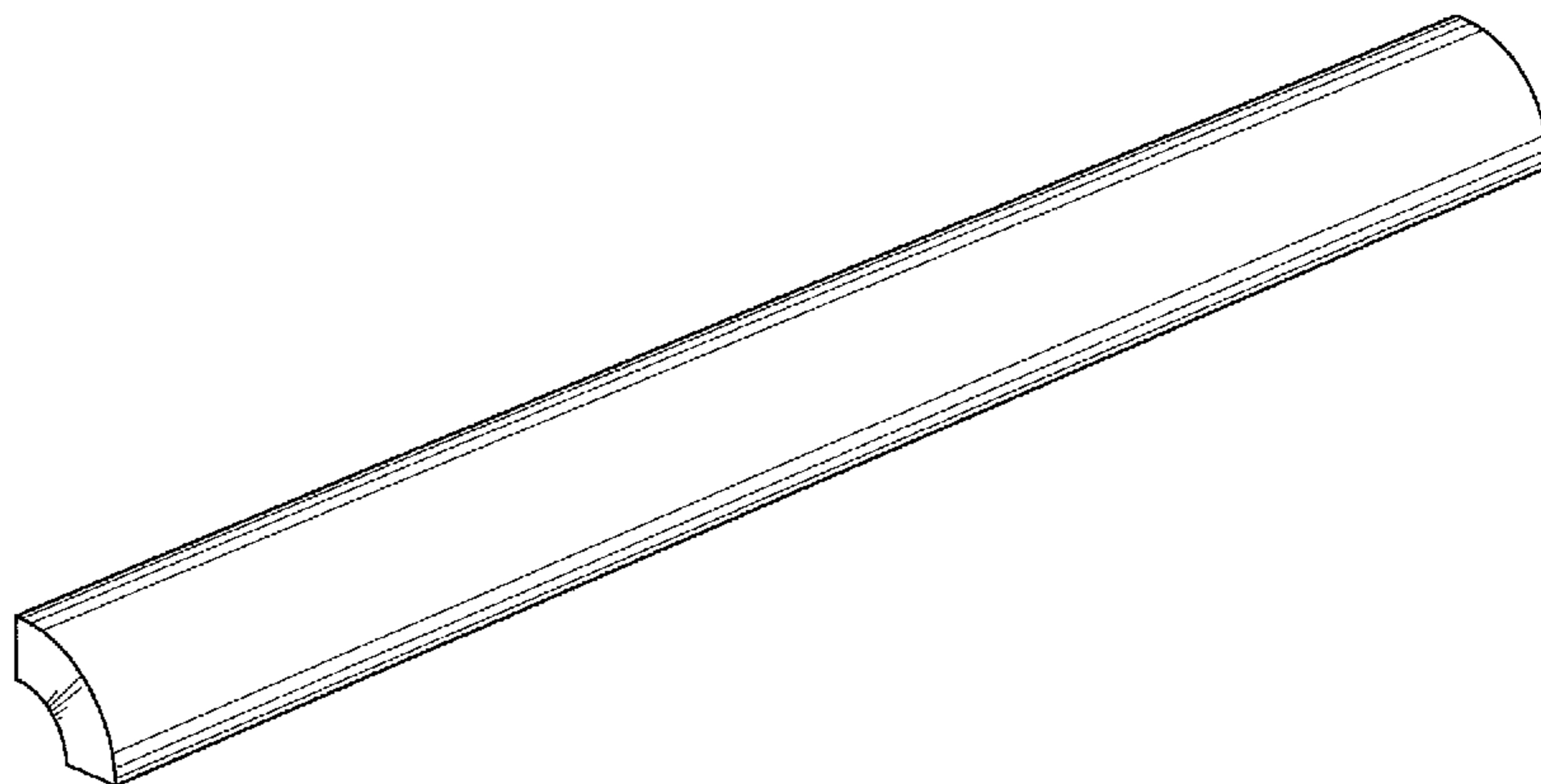
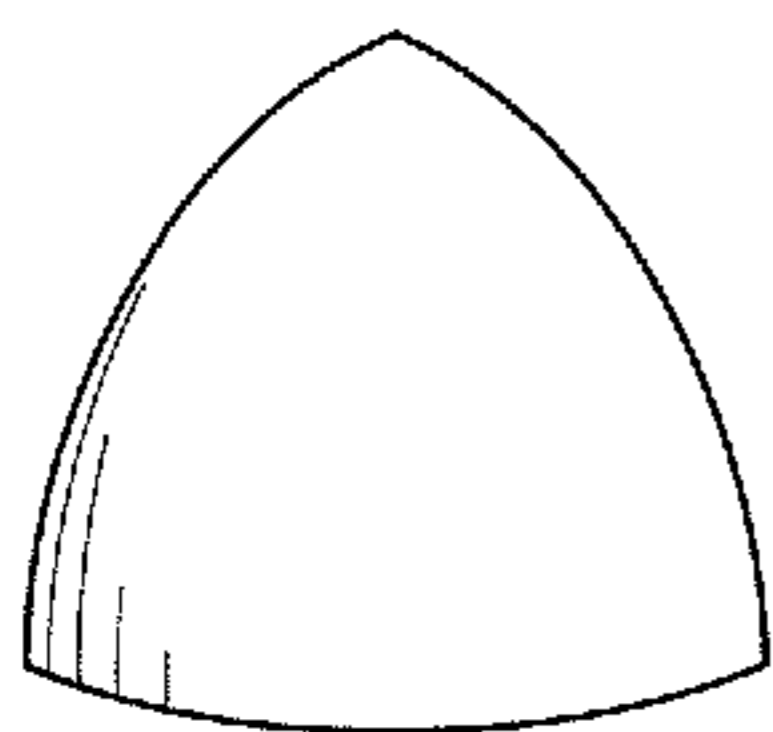
FIG. 7 is a front view of the second component of the wall tile kit.

FIG. 8 is a right side view of the second component of the wall tile kit. The left side view is a mirror image of FIG. 8.

FIG. 9 is a top plan view of the second component of the wall tile kit; and,

FIG. 10 is a rear view of the second component of the wall tile kit.

1 Claim, 2 Drawing Sheets



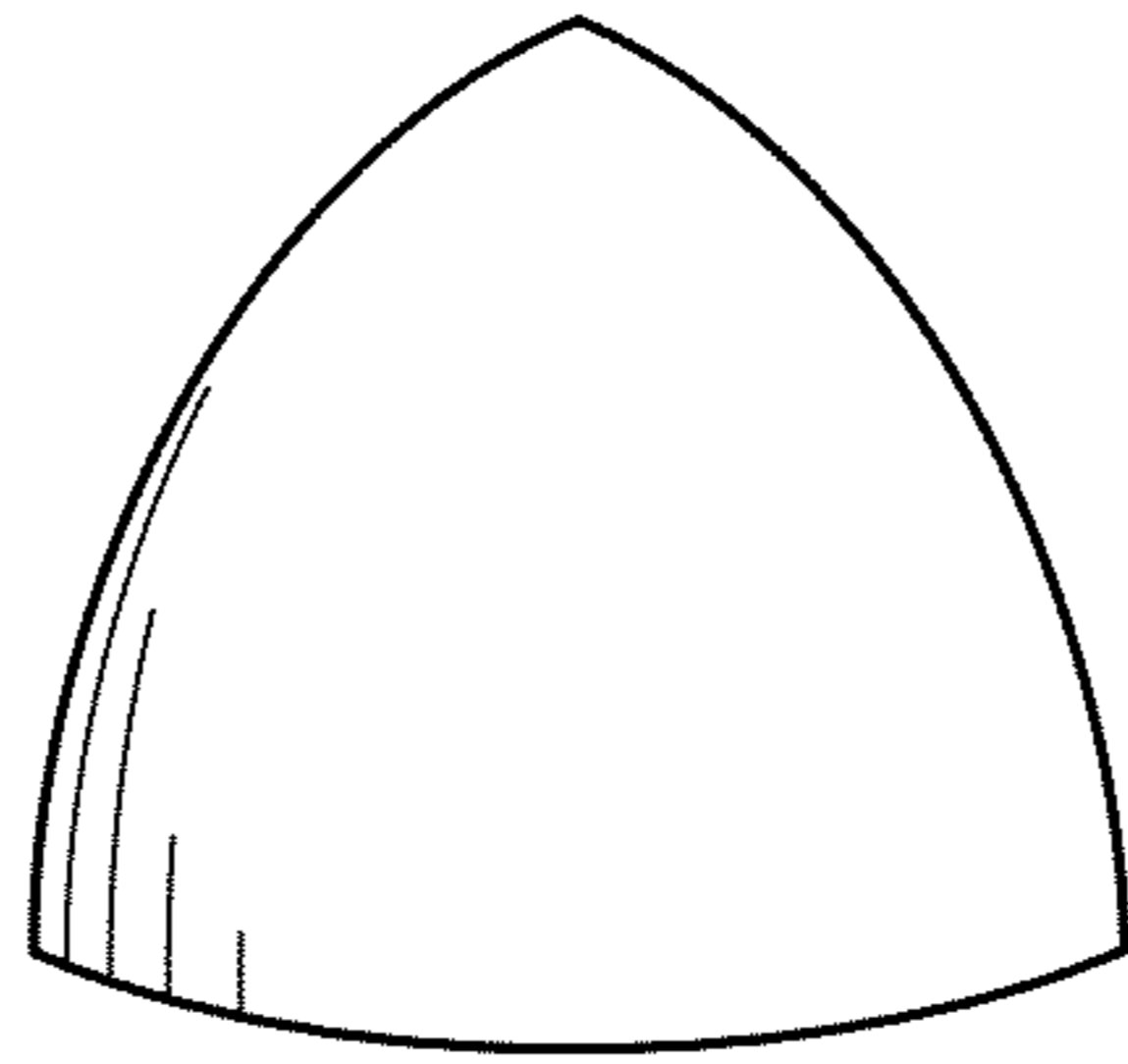


FIG. 1



FIG. 4

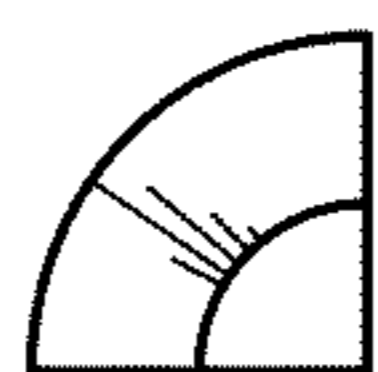


FIG. 3

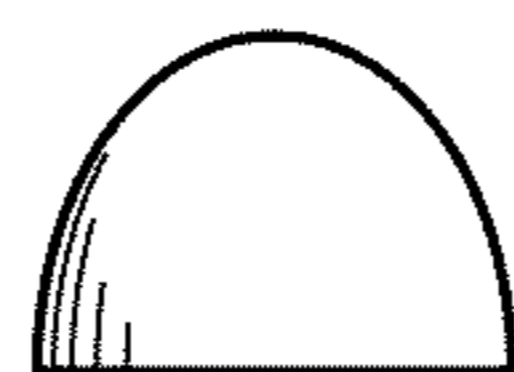


FIG. 2

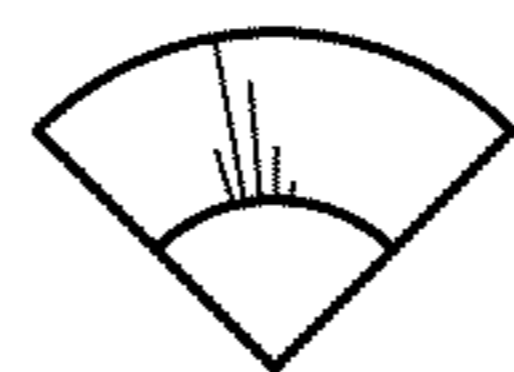


FIG. 5

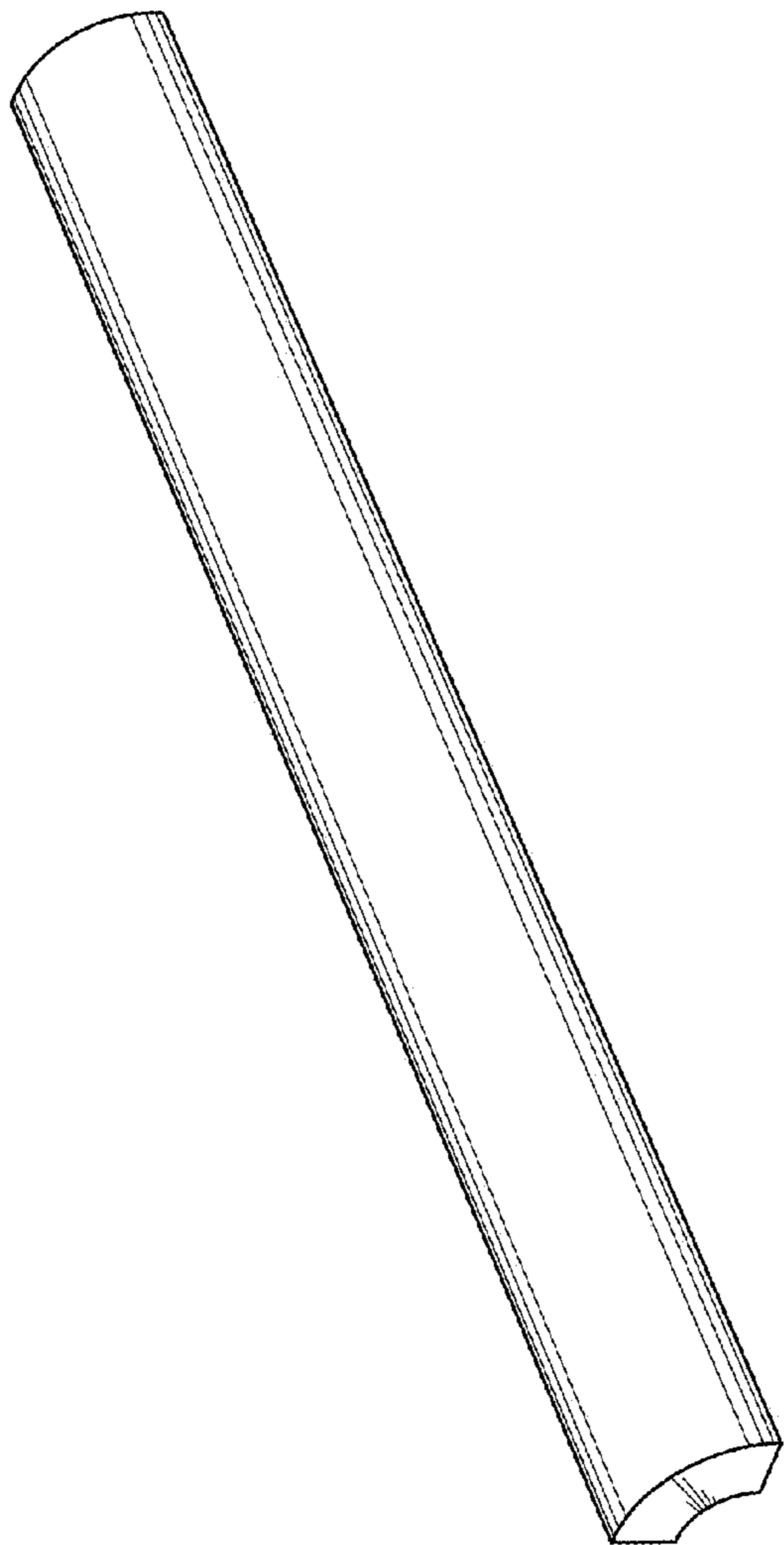


FIG. 6

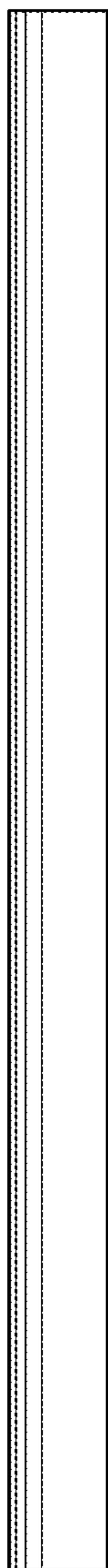


FIG. 9

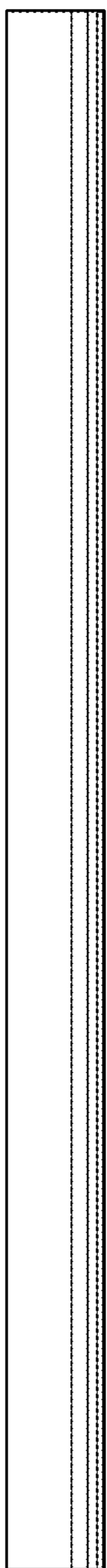


FIG. 7



FIG. 8

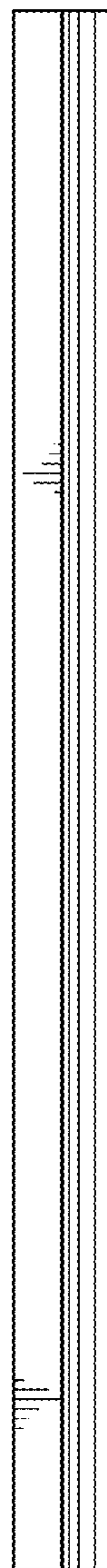


FIG. 10