



US00D680230S

(12) **United States Design Patent**
Self et al.

(10) **Patent No.:** **US D680,230 S**
(45) **Date of Patent:** **** Apr. 16, 2013**

(54) **GAS EMITTER**

(75) Inventors: **Sean D. Self**, Stafford, TX (US); **Geoff Marcek**, Houston, TX (US)

(73) Assignee: **Nimbic Systems, Inc.**, Stafford, TX (US)

(**) Term: **14 Years**

(21) Appl. No.: **29/398,183**

(22) Filed: **Jul. 27, 2011**

Related U.S. Application Data

(63) Continuation-in-part of application No. 12/434,098, filed on May 1, 2009.

(51) **LOC (9) Cl.** **24-02**

(52) **U.S. Cl.**
USPC **D24/232**

(58) **Field of Classification Search** D24/232,
D24/107-108, 127, 111, 144, 110.1; D23/364;
600/407; 604/23-26, 27, 307, 35, 315, 317

See application file for complete search history.

(56) **References Cited**

U.S. PATENT DOCUMENTS

4,921,492	A *	5/1990	Schultz et al.	604/315
5,941,873	A *	8/1999	Korenfeld	606/1
6,663,610	B1 *	12/2003	Thompson et al.	604/317
6,942,650	B1 *	9/2005	Schultz et al.	604/315
2006/0206051	A1 *	9/2006	Hamilton	604/24
2010/0280436	A1 *	11/2010	Self et al.	604/23

* cited by examiner

Primary Examiner — Wan Laymon

(74) *Attorney, Agent, or Firm* — Tim L. Burgess, P.C.

(57) **CLAIM**

The ornamental design for a gas emitter, as shown and described.

DESCRIPTION

FIG. 1 is a front perspective view of a gas emitter showing our new design.

FIG. 2 is rear perspective view of the gas emitter of FIG. 1

FIG. 3 is a top plan view of the gas emitter of FIG. 1

FIG. 4 is a bottom plan view of the gas emitter of FIG. 1

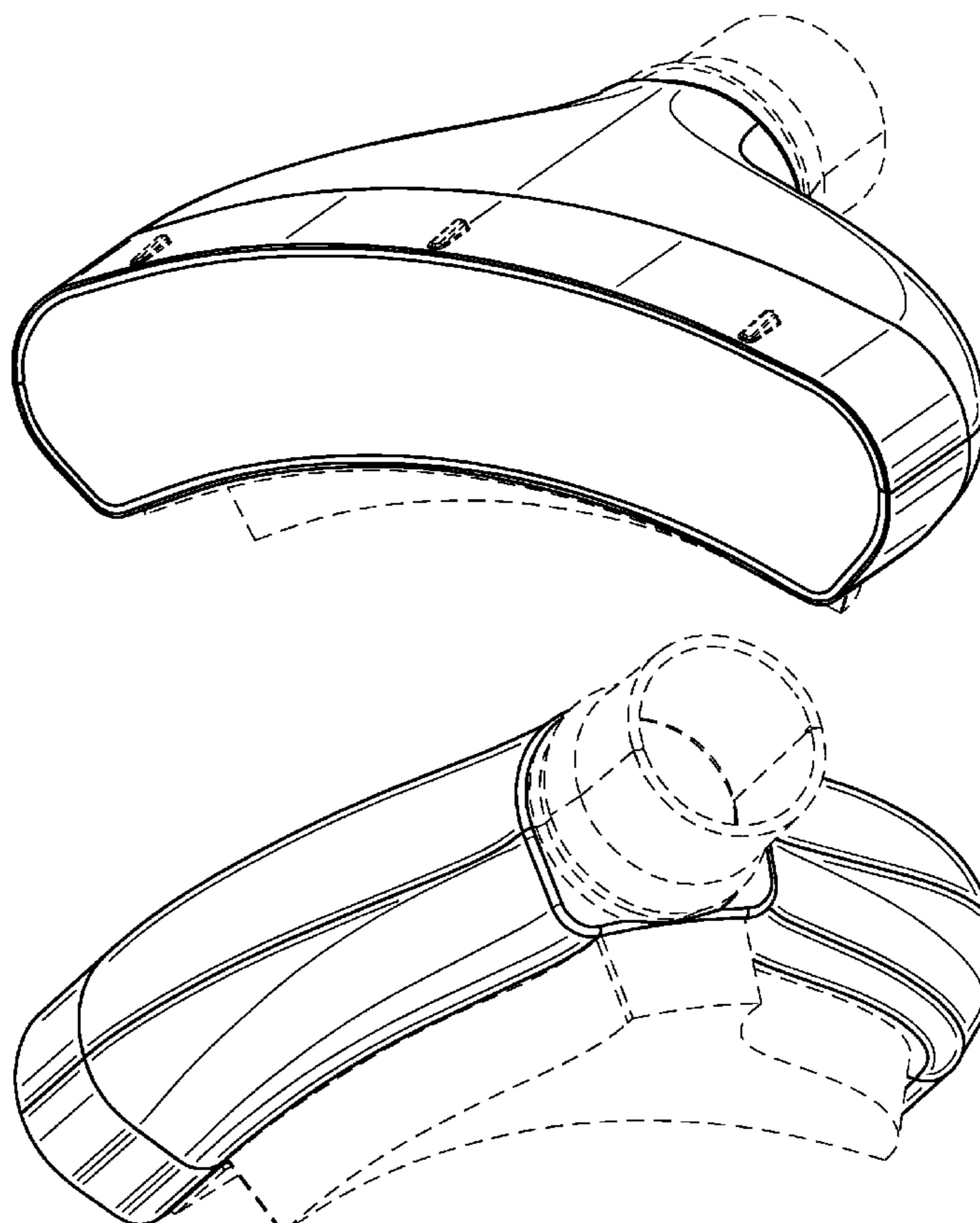
FIG. 5 is a front elevational view of the gas emitter of FIG. 1

FIG. 6 is a rear elevational view of the gas emitter of FIG. 1; and,

FIG. 7 is a side elevational view of the gas emitter of FIG. 1.

The broken lines represent environmental subject matter and form no part of the claimed design.

1 Claim, 3 Drawing Sheets



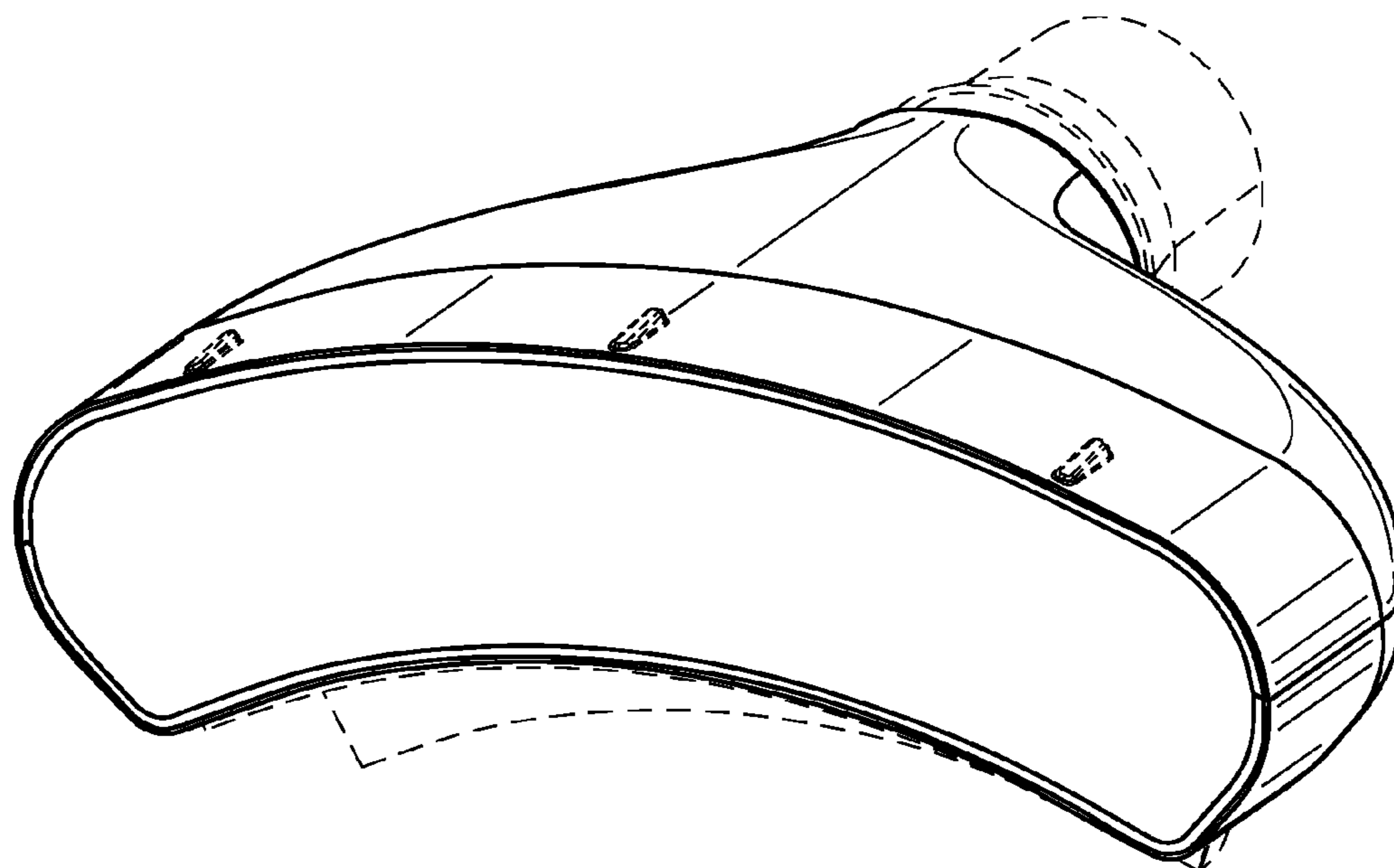


FIG. 1

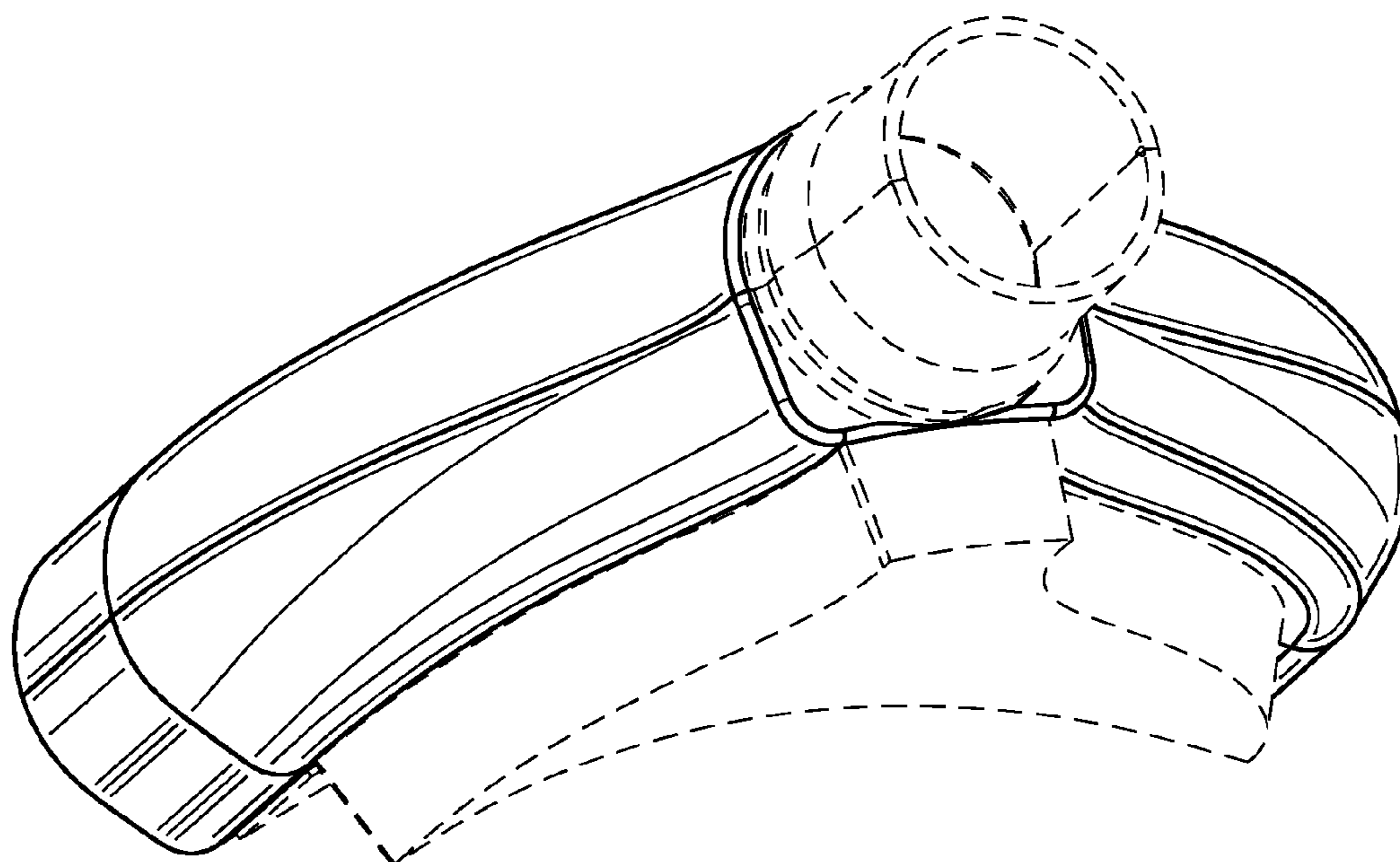


FIG. 2

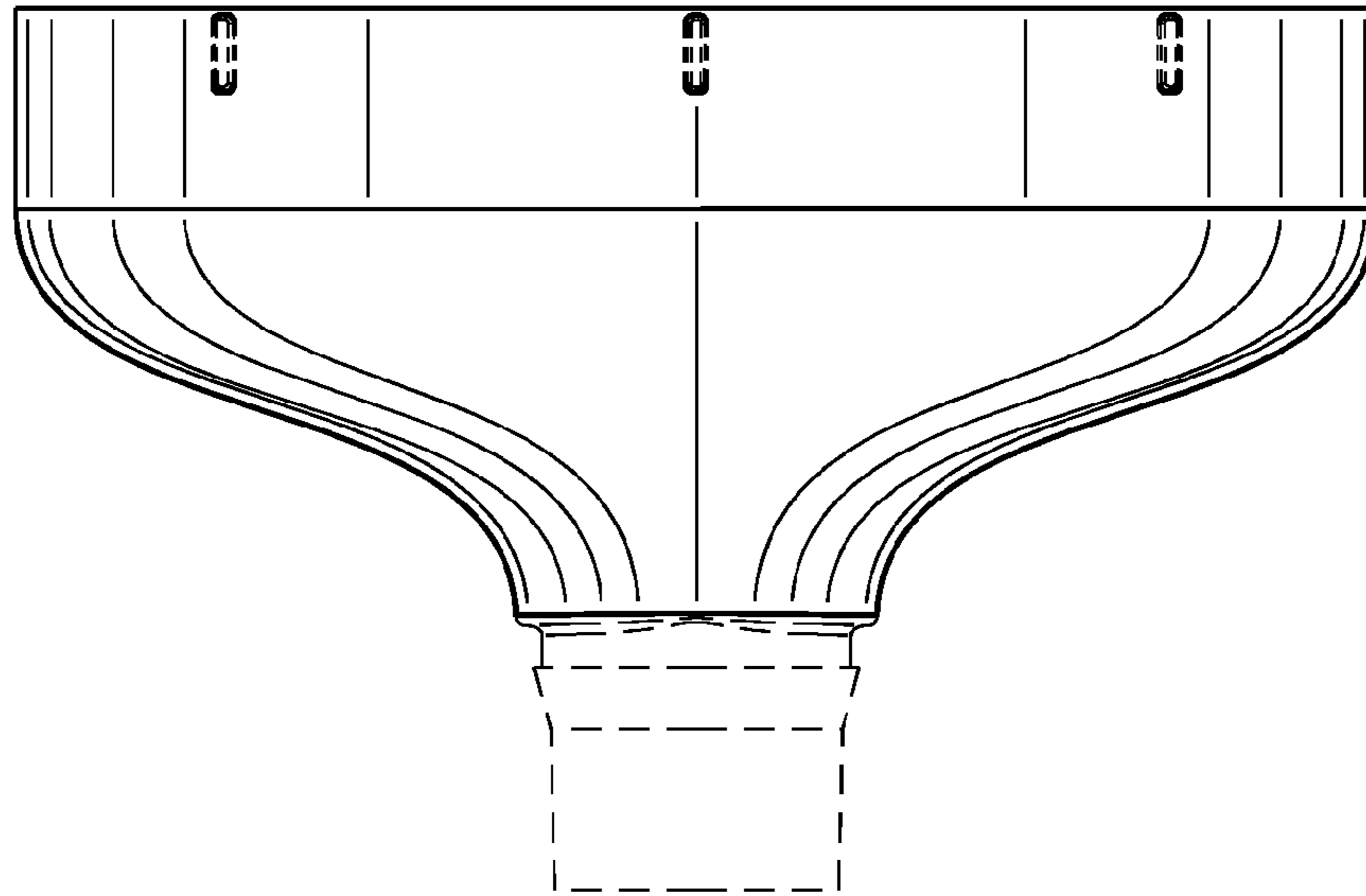


FIG. 3

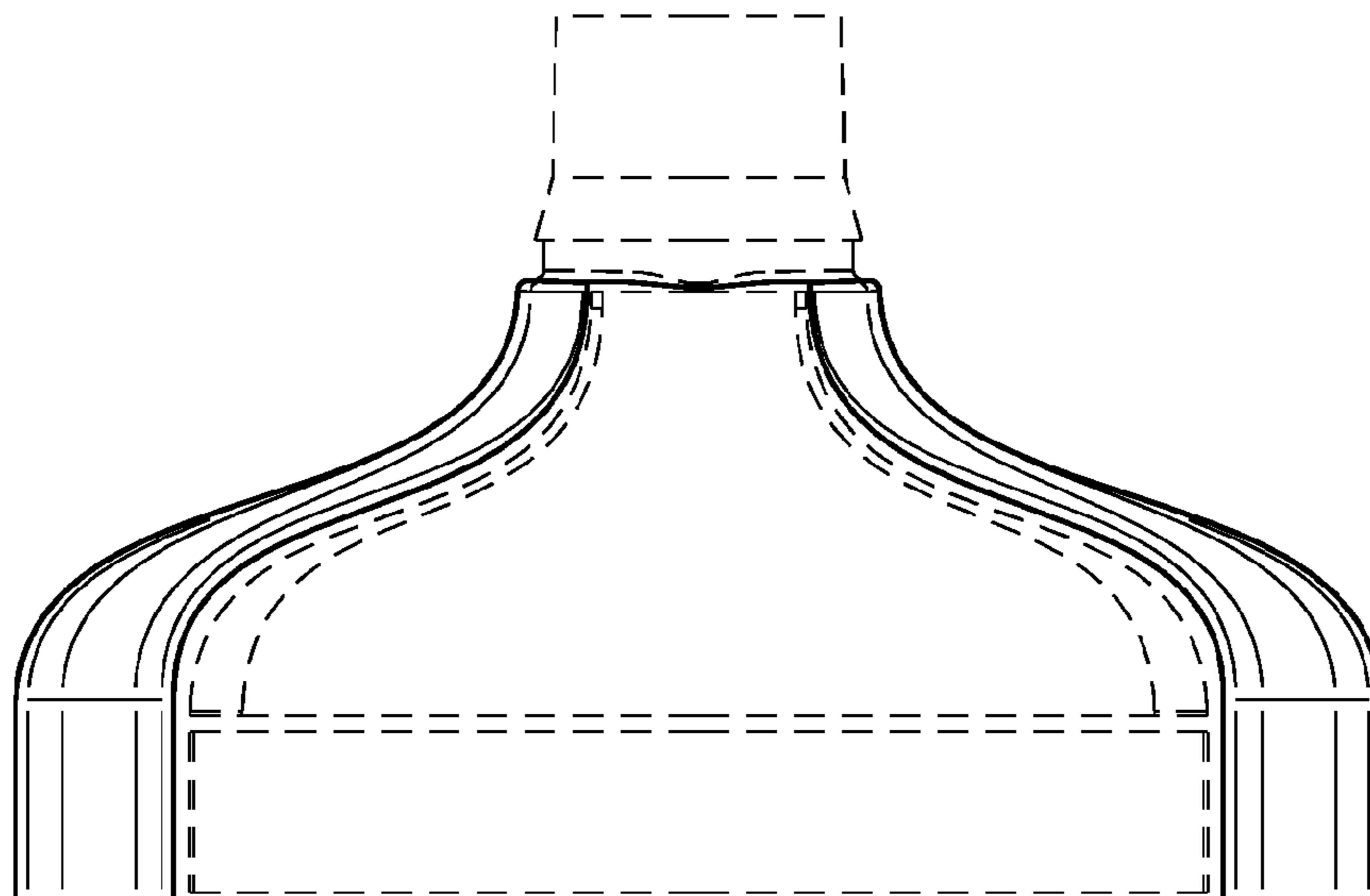


FIG. 4

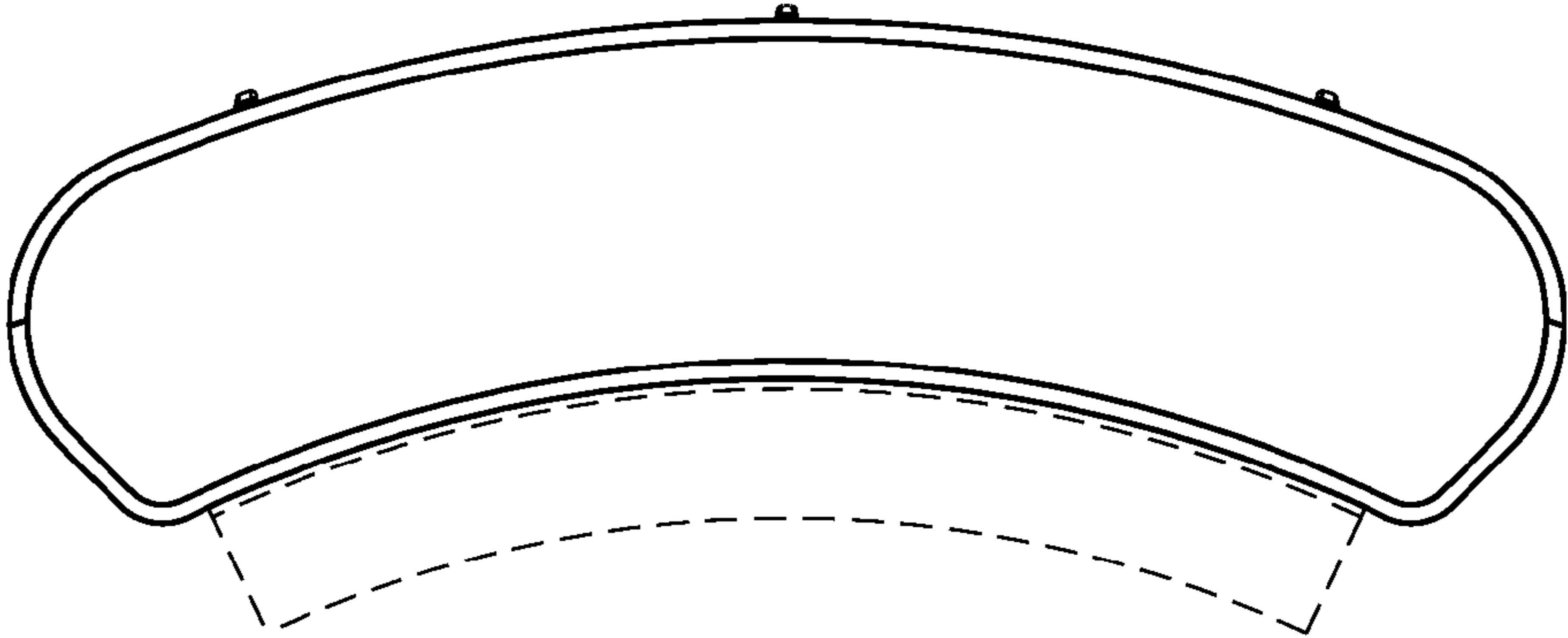


FIG. 5

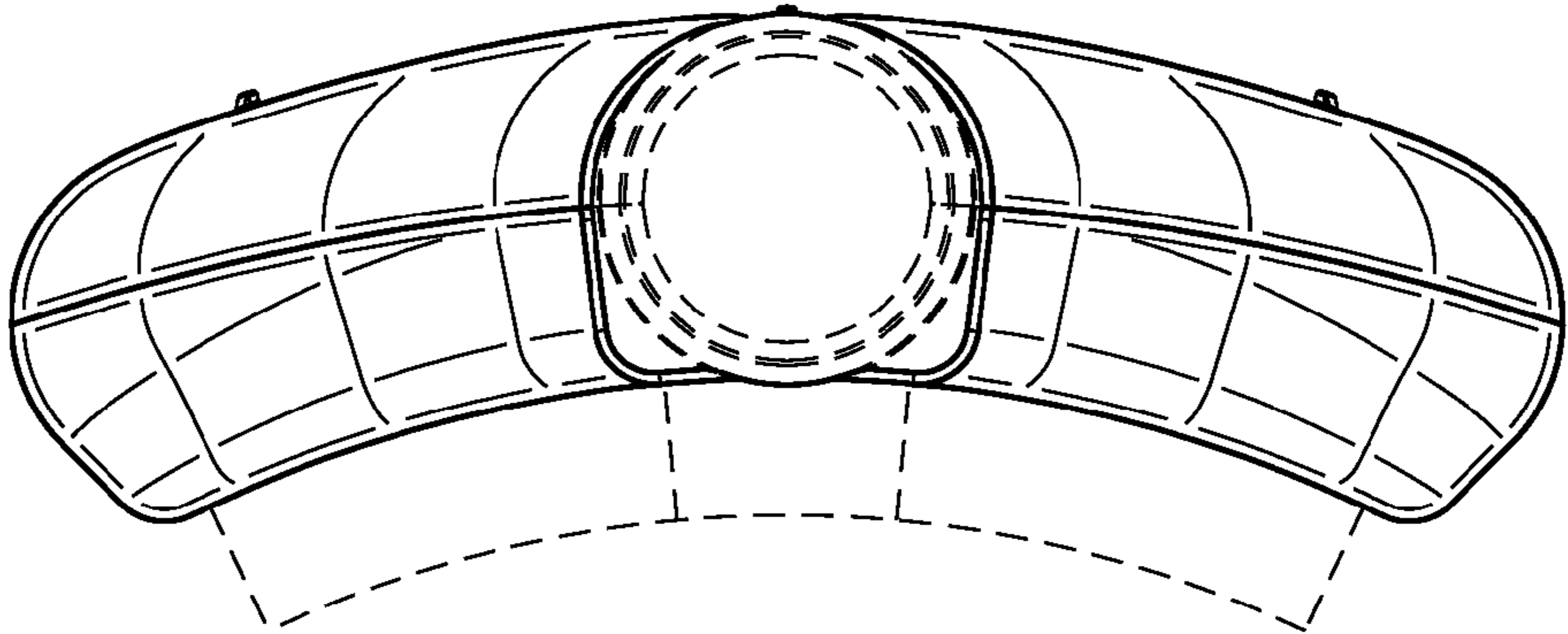


FIG. 6

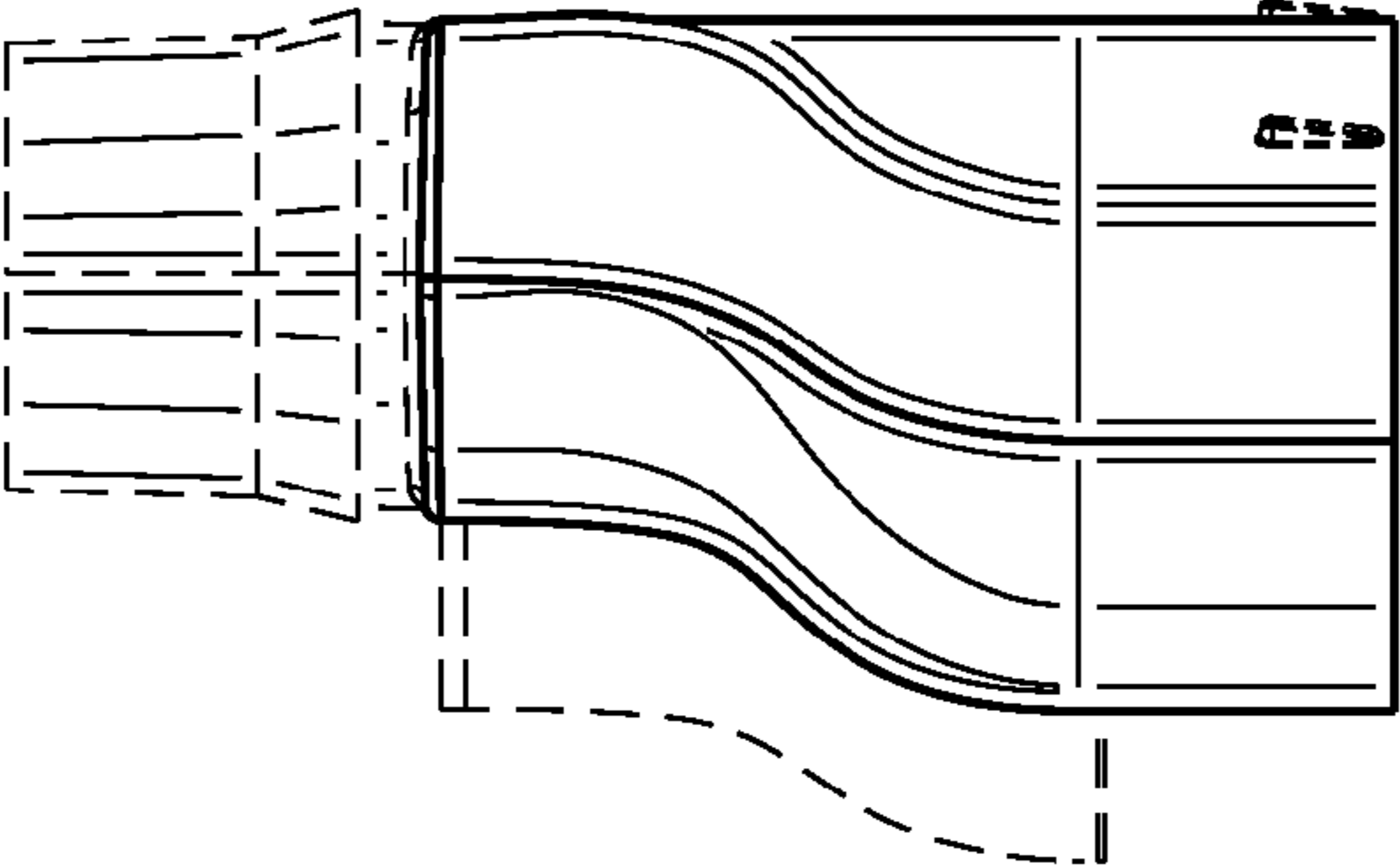


FIG. 7