



US00D680229S

(12) **United States Design Patent**
Brown et al.

(10) **Patent No.:** **US D680,229 S**
(45) **Date of Patent:** **** Apr. 16, 2013**

(54) **PORTION CUP**

(75) Inventors: **Patrick W Brown**, Auburn, OH (US);
Jeffrey S. Taggart, McLean, VA (US);
Robert D. Schilling, Olmsted Township,
OH (US)

(73) Assignee: **RhinoSystems, Inc.**, Cleveland, OH
(US)

(**) Term: **14 Years**

(21) Appl. No.: **29/422,432**

(22) Filed: **May 21, 2012**

Related U.S. Application Data

(62) Division of application No. 29/360,918, filed on May
3, 2010, now Pat. No. Des. 662,217.

(51) **LOC (9) Cl.** **24-01**

(52) **U.S. Cl.**
USPC **D24/224**

(58) **Field of Classification Search** D24/216-232,
D24/186, 121, 120; D7/543, 545, 565, 584,
D7/587; D9/425, 428, 429, 430; 206/219,
206/220; 220/574, 608; 422/500, 547
See application file for complete search history.

(56) **References Cited**

U.S. PATENT DOCUMENTS

4,697,703 A 10/1987 Will
D330,418 S * 10/1992 Carter D24/120
D360,698 S 7/1995 Stevens et al.
5,720,391 A 2/1998 Dohm et al.

D411,014 S 6/1999 Berger et al.
D430,959 S * 9/2000 Sheely D30/129
D432,280 S 10/2000 Quinlan et al.
7,246,715 B2 7/2007 Smith et al.
D597,203 S 7/2009 Tauer
D605,754 S 12/2009 Nelson et al.
D611,768 S * 3/2010 Muhl et al. D7/543
D625,956 S * 10/2010 Goddard-Clark et al. D7/543
D625,961 S 10/2010 Kent
D629,119 S 12/2010 Motadel
7,850,006 B2 12/2010 Uchiyama
D662,219 S * 6/2012 Perrin et al. D24/232
2005/0042145 A1 2/2005 Ueda et al.
2005/0183971 A1 8/2005 Petricca

* cited by examiner

Primary Examiner — Anhdao Doan

(74) *Attorney, Agent, or Firm* — Fay Sharpe LLP

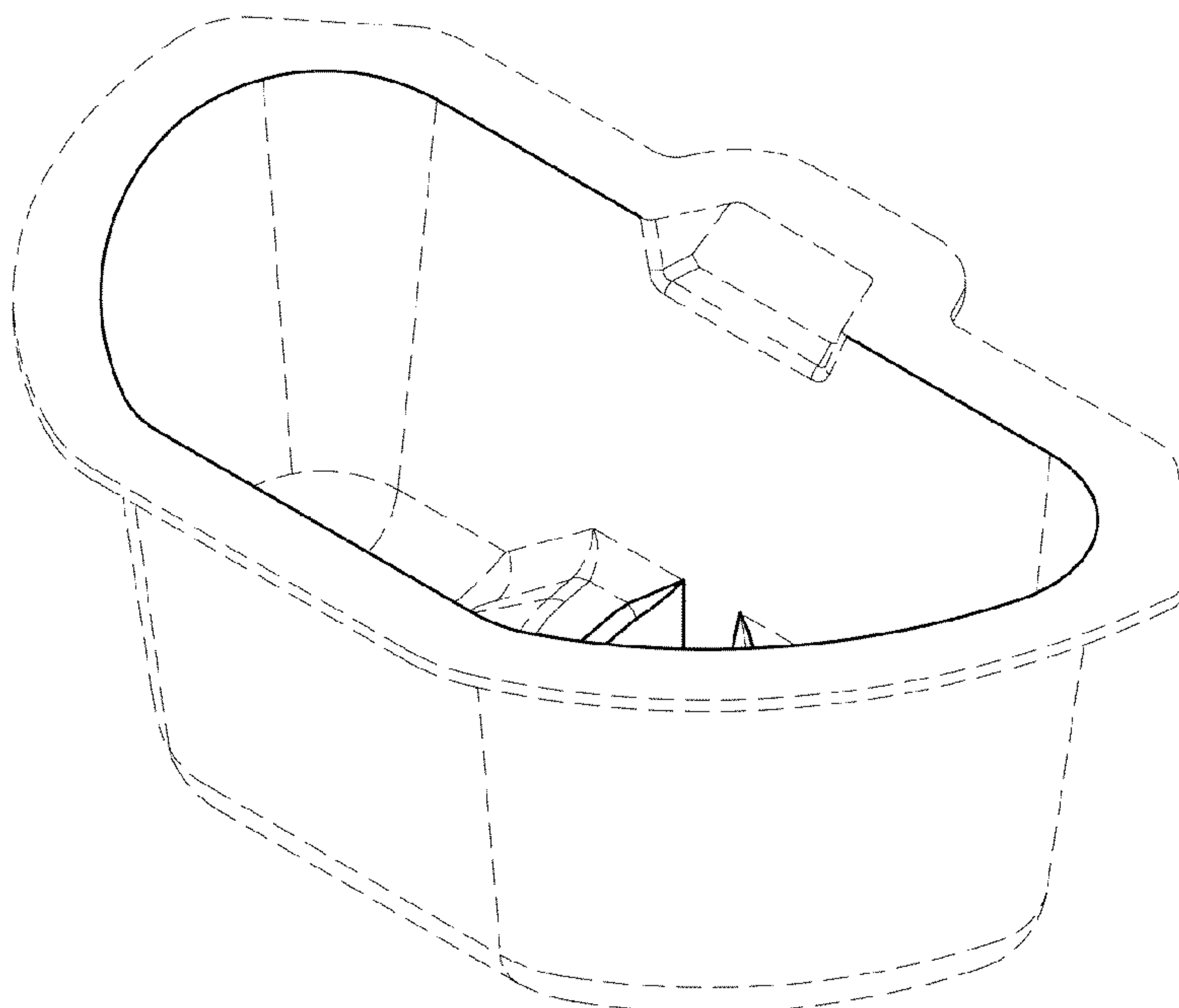
(57) **CLAIM**

The ornamental design for a portion cup, as shown and
described.

DESCRIPTION

FIG. 1 is a top perspective view of a portion cup showing our
new design;
FIG. 2 is a front view thereof;
FIG. 3 is a left side view thereof;
FIG. 4 is a rear view thereof;
FIG. 5 is a right side view thereof;
FIG. 6 is a top view thereof;
FIG. 7 is a bottom view thereof; and,
FIG. 8 is a bottom perspective view thereof.
The parts illustrated in dashed lines form no part of the
claimed design.

1 Claim, 3 Drawing Sheets



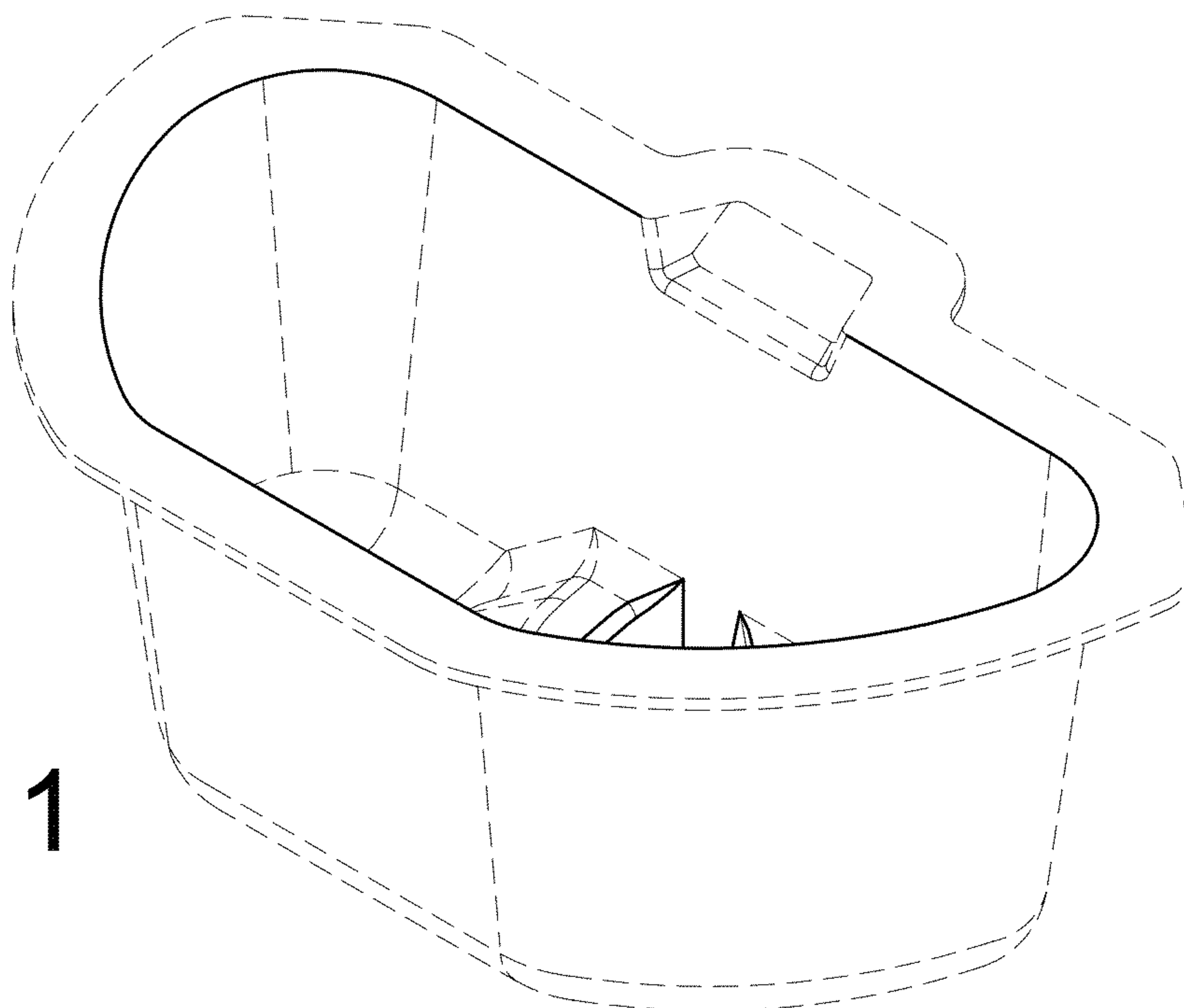


FIG. 1

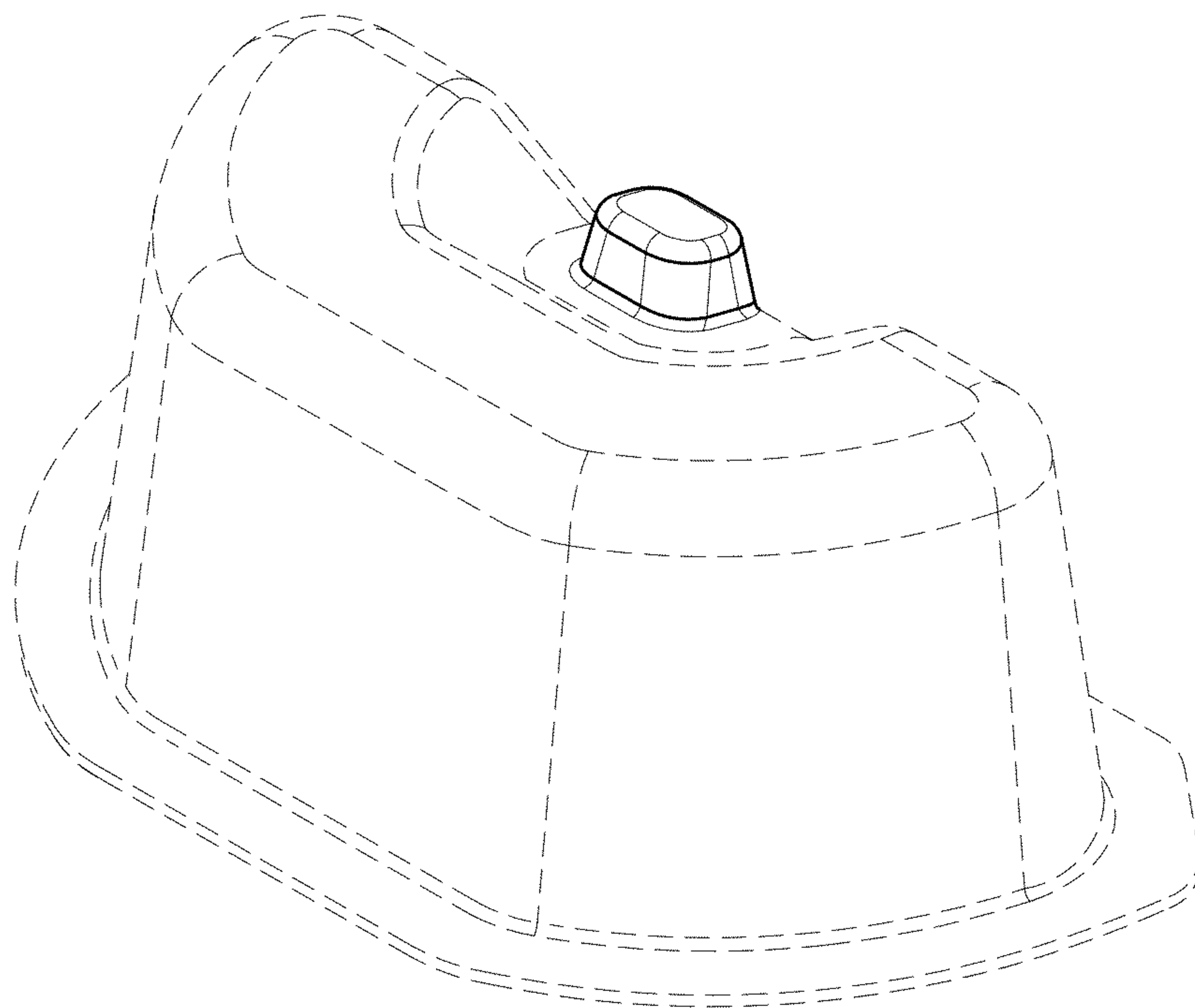


FIG. 8



FIG. 2

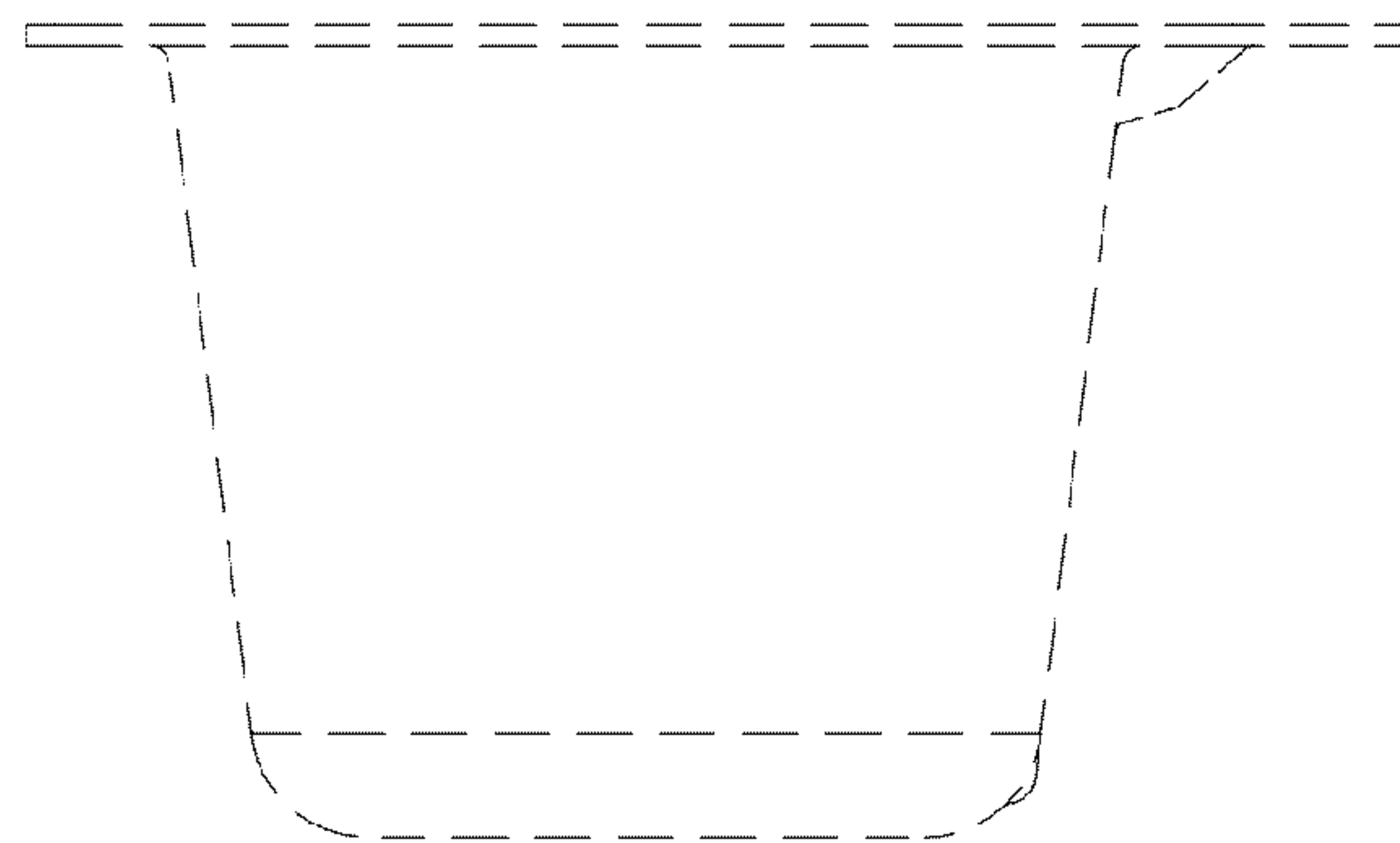


FIG. 3

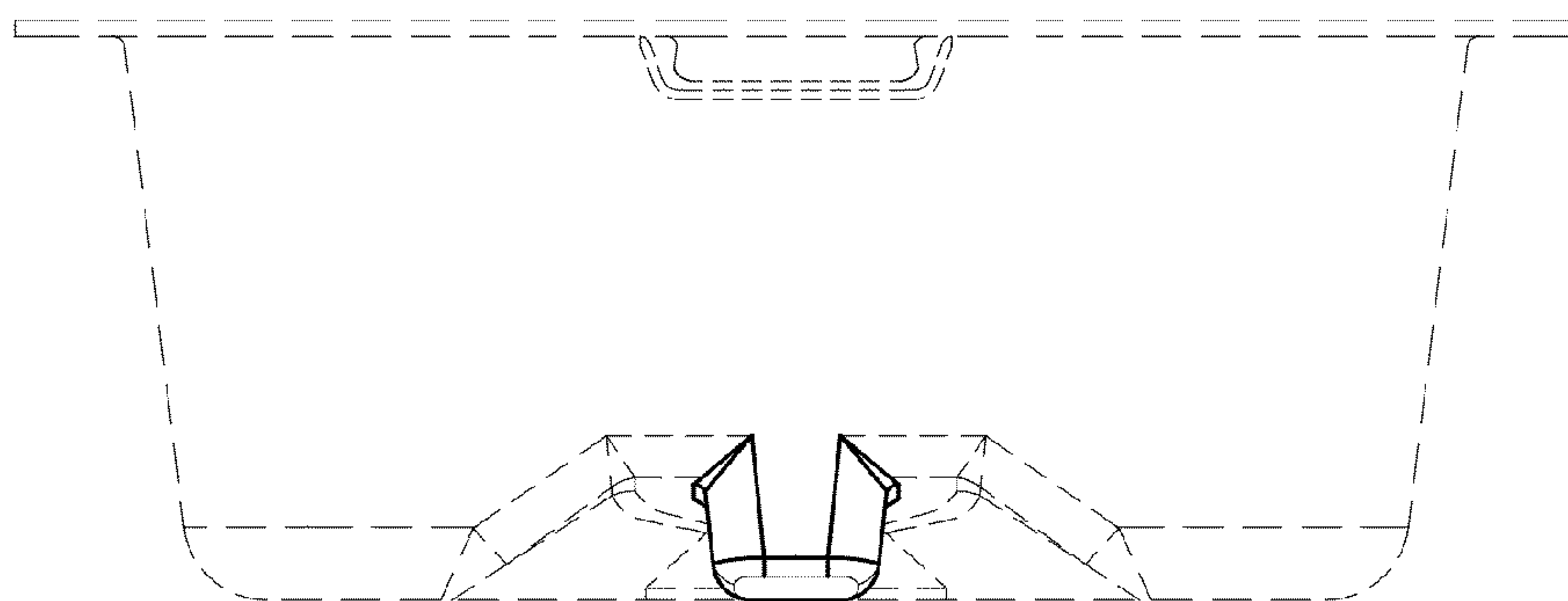


FIG. 4

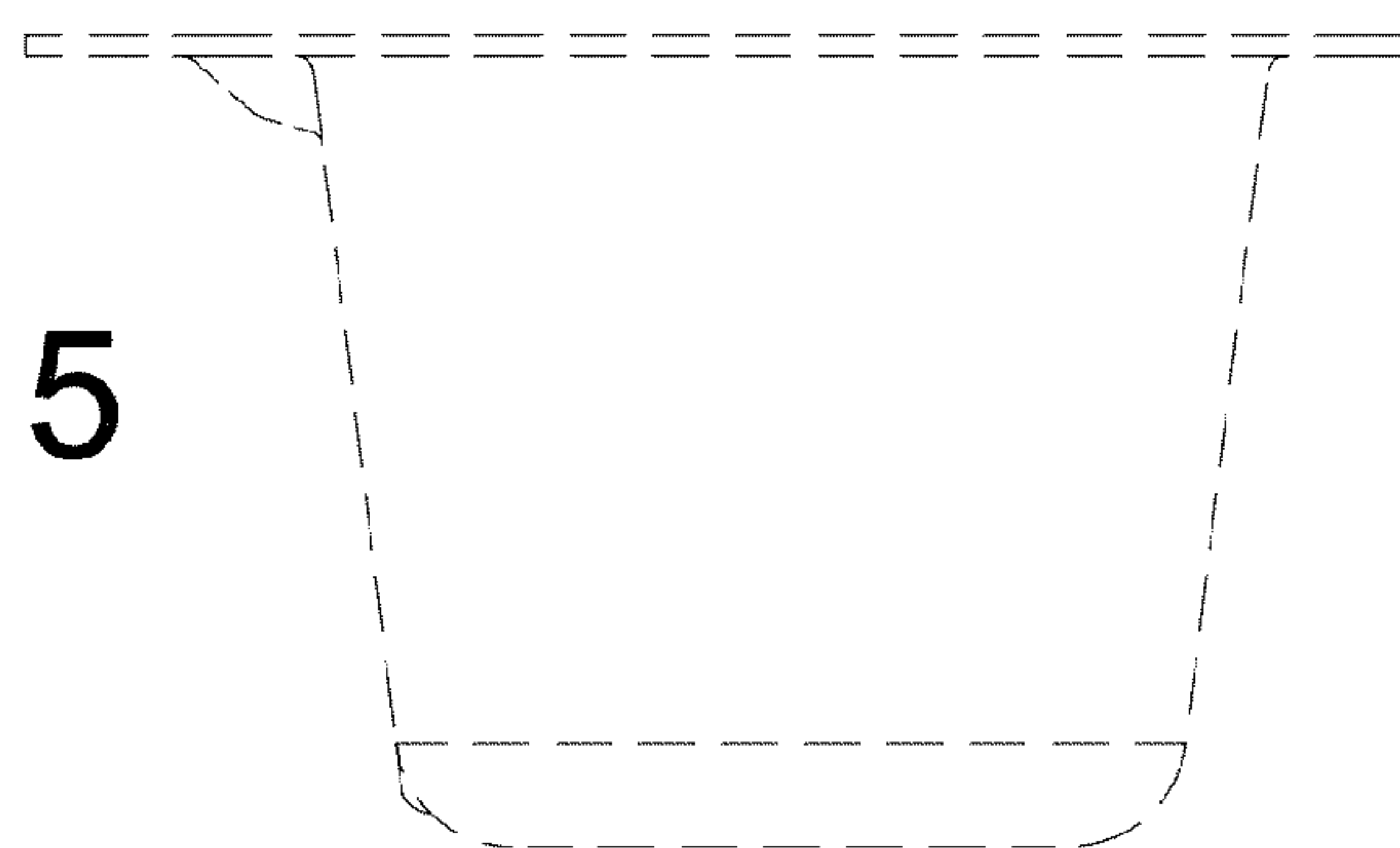


FIG. 5

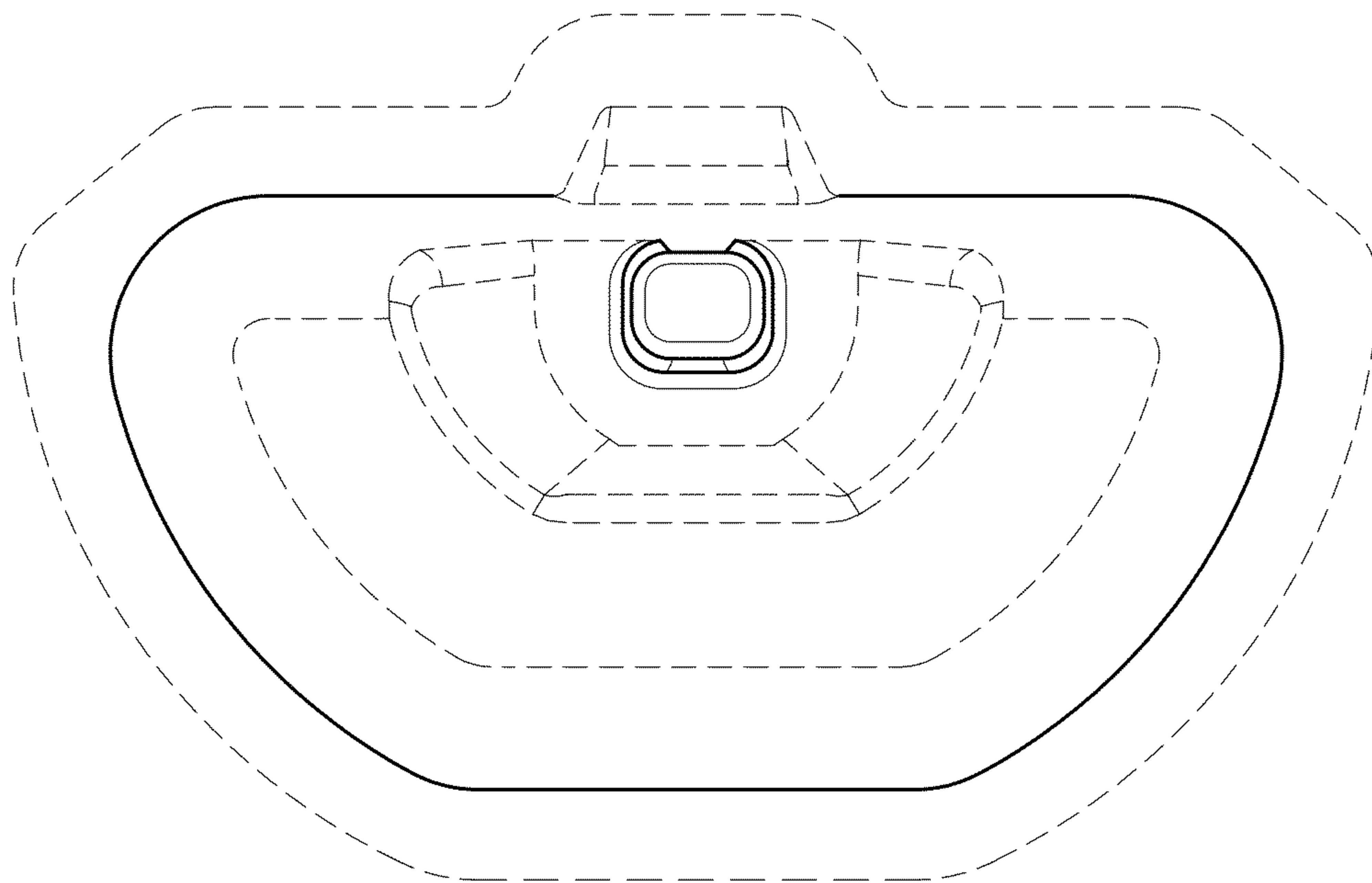


FIG. 6

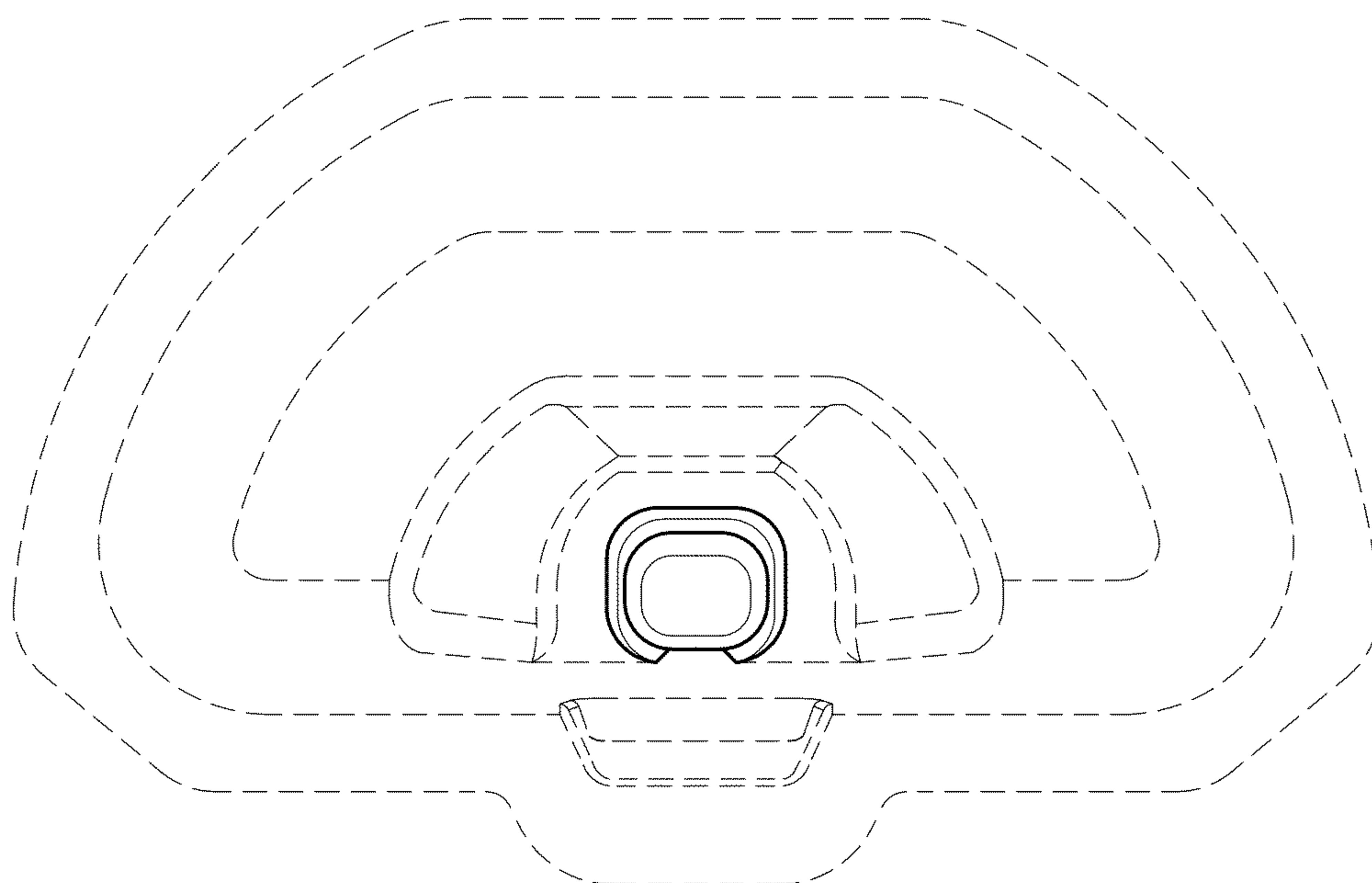


FIG. 7

UNITED STATES PATENT AND TRADEMARK OFFICE
CERTIFICATE OF CORRECTION

PATENT NO. : D680,229 S
APPLICATION NO. : 29/422432
DATED : April 16, 2013
INVENTOR(S) : Patrick W. Brown et al.

Page 1 of 1

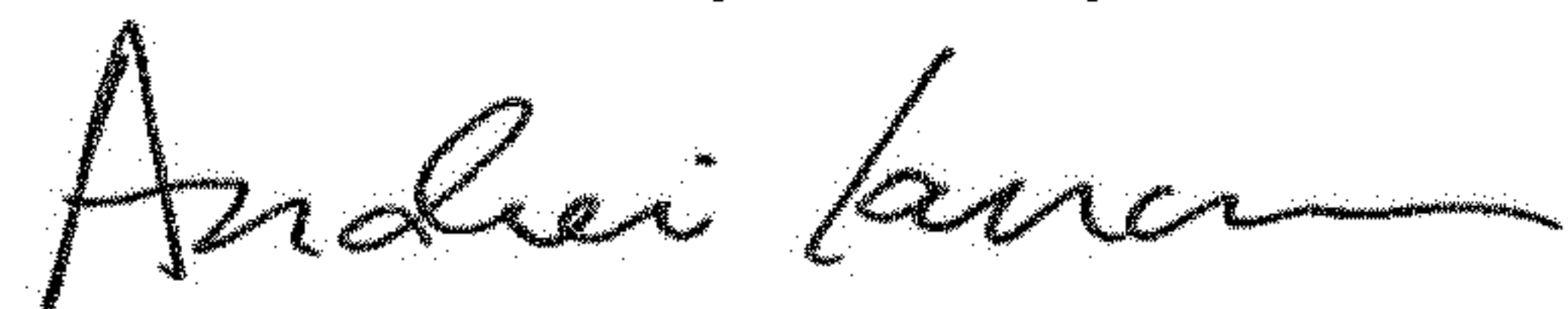
It is certified that error appears in the above-identified patent and that said Letters Patent is hereby corrected as shown below:

On the Title Page

Item (75) should read:

Inventors: Patrick W. Brown, Auburn, OH (US);
Jeffrey S. Taggart, McLean, VA (US);
Robert D. Schilling, Olmsted Township, OH (US);
Martin R. Hoke, Lakewood, OH (US)

Signed and Sealed this
Twelfth Day of May, 2020



Andrei Iancu
Director of the United States Patent and Trademark Office