



US00D680228S

(12) **United States Design Patent**  
**Choi et al.**

(10) **Patent No.:** **US D680,228 S**  
(45) **Date of Patent:** **\*\* Apr. 16, 2013**

(54) **MICROCUVETTE**

(75) Inventors: **Eui-Yul Choi**, Chuncheon-si (KR);  
**Kie-Bong Nahm**, Seoul (KR);  
**Byeong-Chul Kim**, Chuncheon-si (KR);  
**Ki-Tae Park**, Chuncheon-si (KR);  
**Cheol-Min Kim**, Namyangju-si (KR)

(73) Assignee: **Boditech Med Inc.**, Chuncheon-si (KR)

(\*\*) Term: **14 Years**

(21) Appl. No.: **29/412,449**

(22) Filed: **Feb. 3, 2012**

(30) **Foreign Application Priority Data**

Aug. 16, 2011 (KR) ..... 30-2011-0034087

(51) **LOC (9) Cl.** ..... **24-01**

(52) **U.S. Cl.**  
USPC ..... **D24/224**

(58) **Field of Classification Search** ..... D24/216–217,  
D24/219, 223–226, 227, 229–231, 232, 107,  
D24/121–123; D10/81; 422/547–554, 556,  
422/558, 559, 500, 560, 561  
See application file for complete search history.

(56) **References Cited**

U.S. PATENT DOCUMENTS

D271,335 S \* 11/1983 Simons ..... D24/227  
D337,388 S \* 7/1993 Nilsson et al. .... D24/224

D433,150 S \* 10/2000 Wahlqvist et al. .... D24/224  
D445,909 S \* 7/2001 Pogorzelski ..... D24/224  
D491,273 S \* 6/2004 Biegler et al. .... D24/216  
6,808,682 B1 \* 10/2004 Bates et al. .... 422/401  
D562,988 S \* 2/2008 Pogorzelski ..... D24/224  
2009/0191617 A1 \* 7/2009 Lim et al. .... 435/287.1  
2011/0040246 A1 \* 2/2011 Galasso ..... 422/68.1

\* cited by examiner

*Primary Examiner* — Anhdao Doan

(74) *Attorney, Agent, or Firm* — Stein McEwen, LLP

(57) **CLAIM**

The ornamental design for a microcuvette, as shown and described.

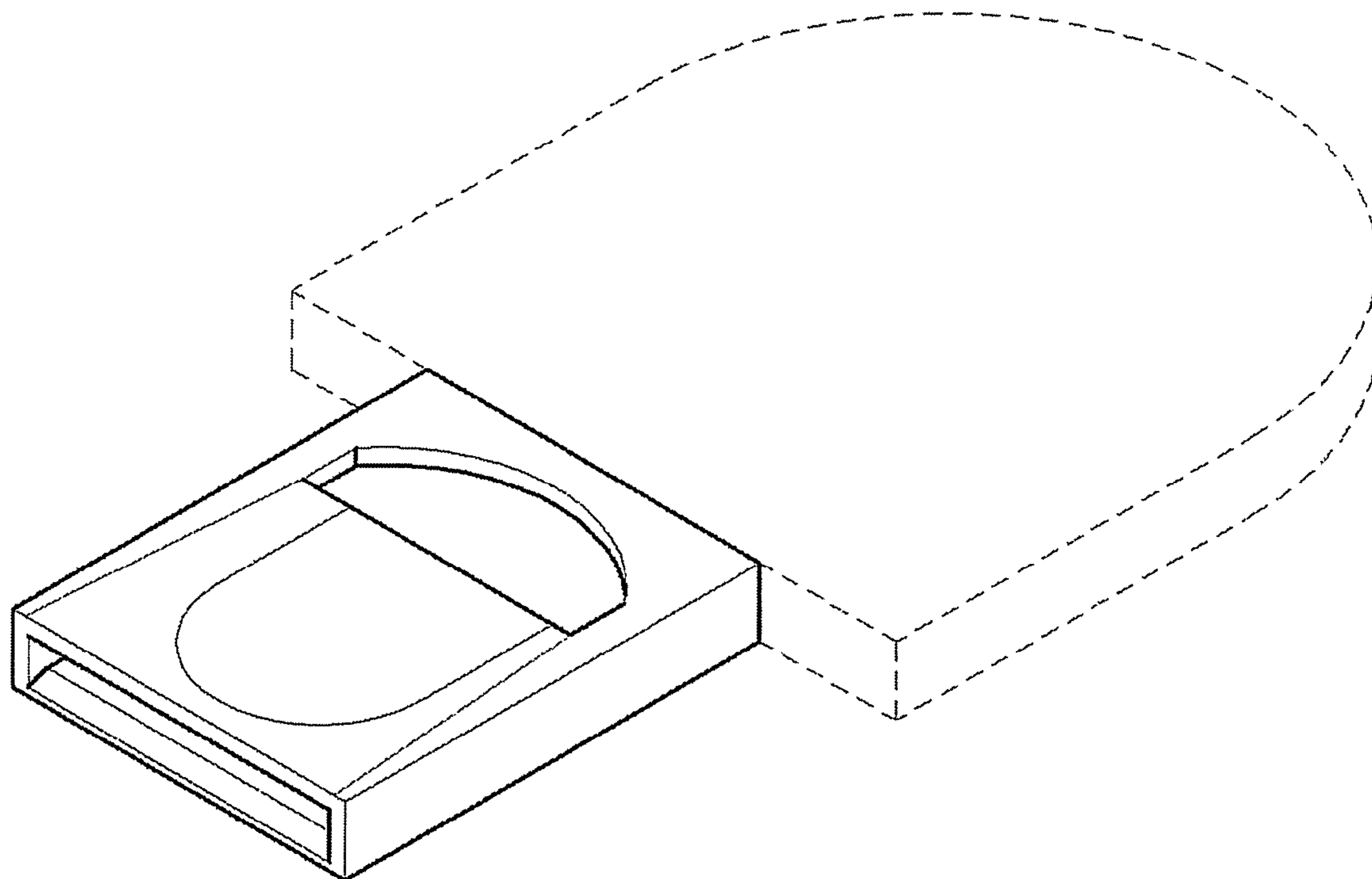
**DESCRIPTION**

FIG. 1 is a perspective view of a microcuvette showing our new design;  
FIG. 2 is a front view thereof;  
FIG. 3 is a rear view thereof;  
FIG. 4 is a left side view thereof;  
FIG. 5 is a right side view thereof;  
FIG. 6 is a top view thereof; and,  
FIG. 7 is a bottom view thereof.

The broken lines in the drawing views are included for the purpose of illustrating a portion of the microcuvette that forms no part of the claimed design.

The claimed microcuvette is transparent.

**1 Claim, 5 Drawing Sheets**



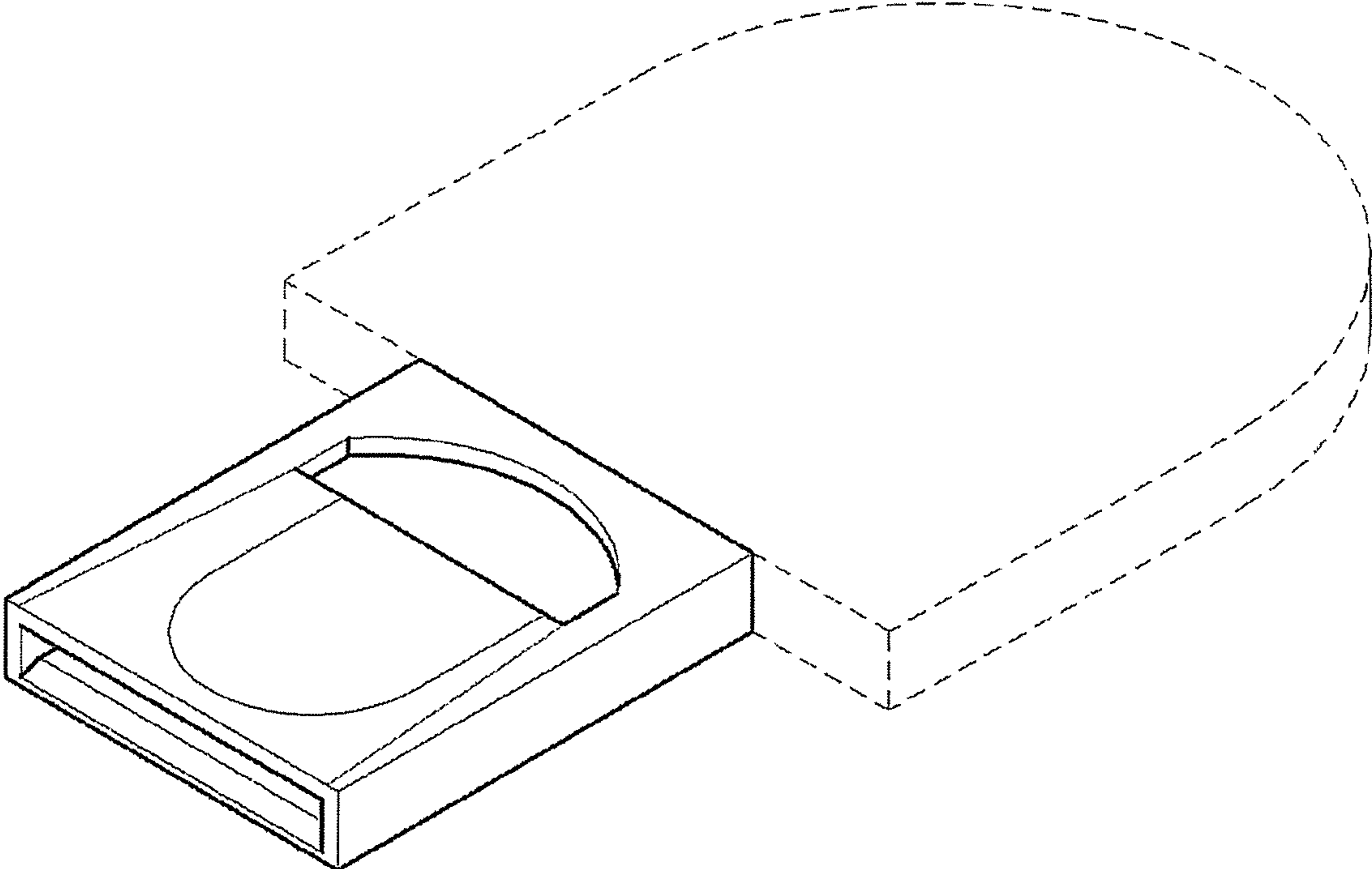


FIG. 1



FIG. 2



FIG. 3

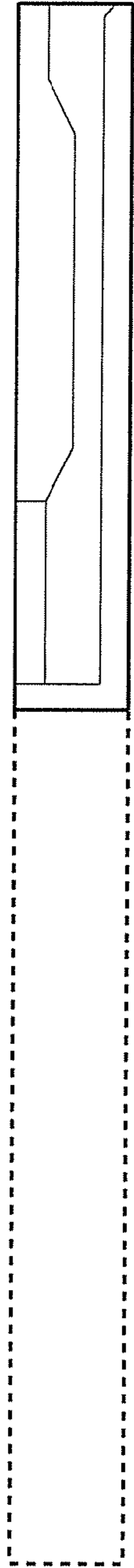


FIG. 4

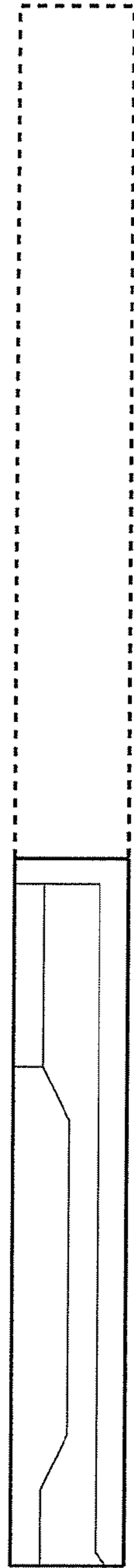


FIG. 5

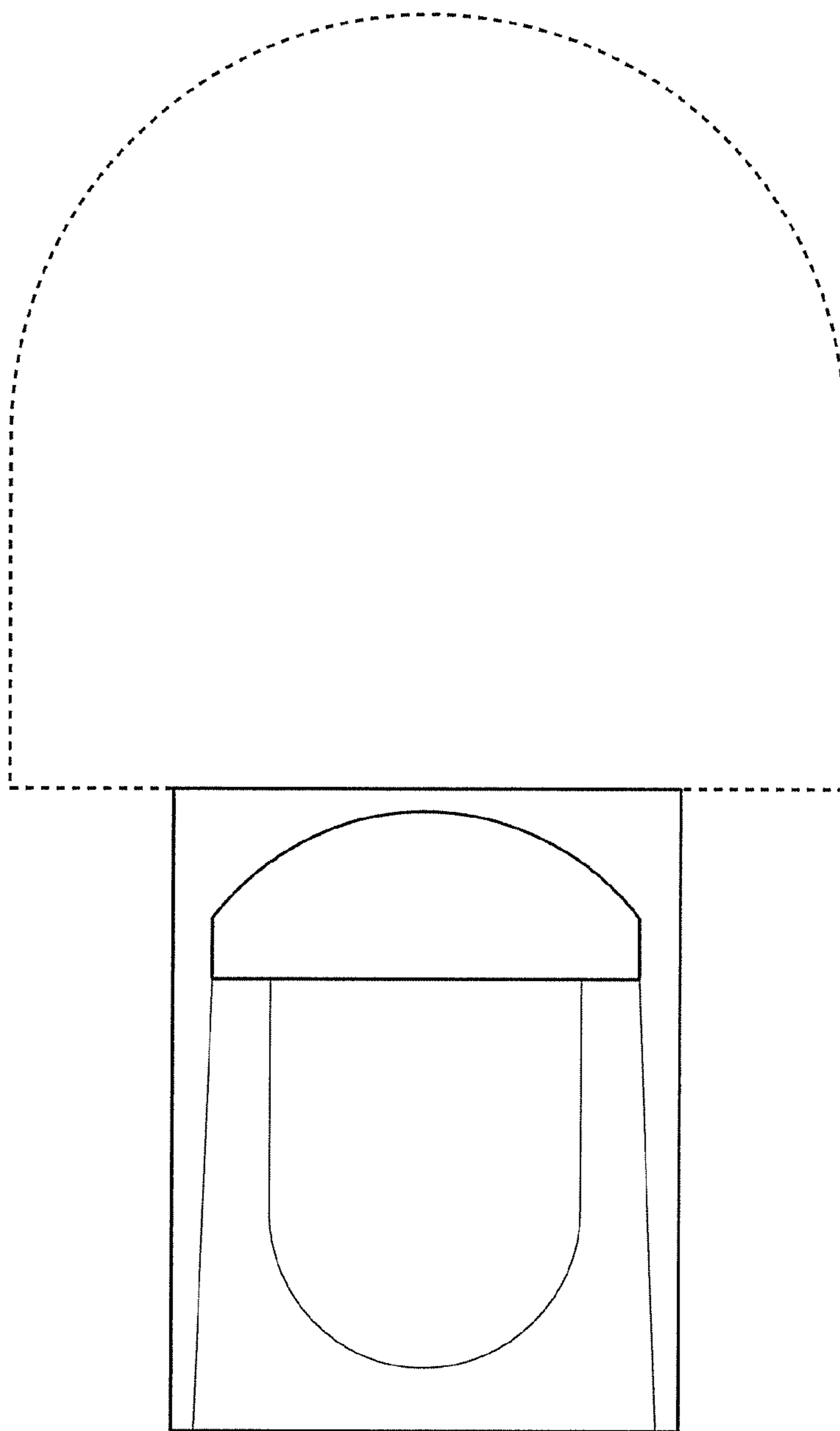


FIG. 6

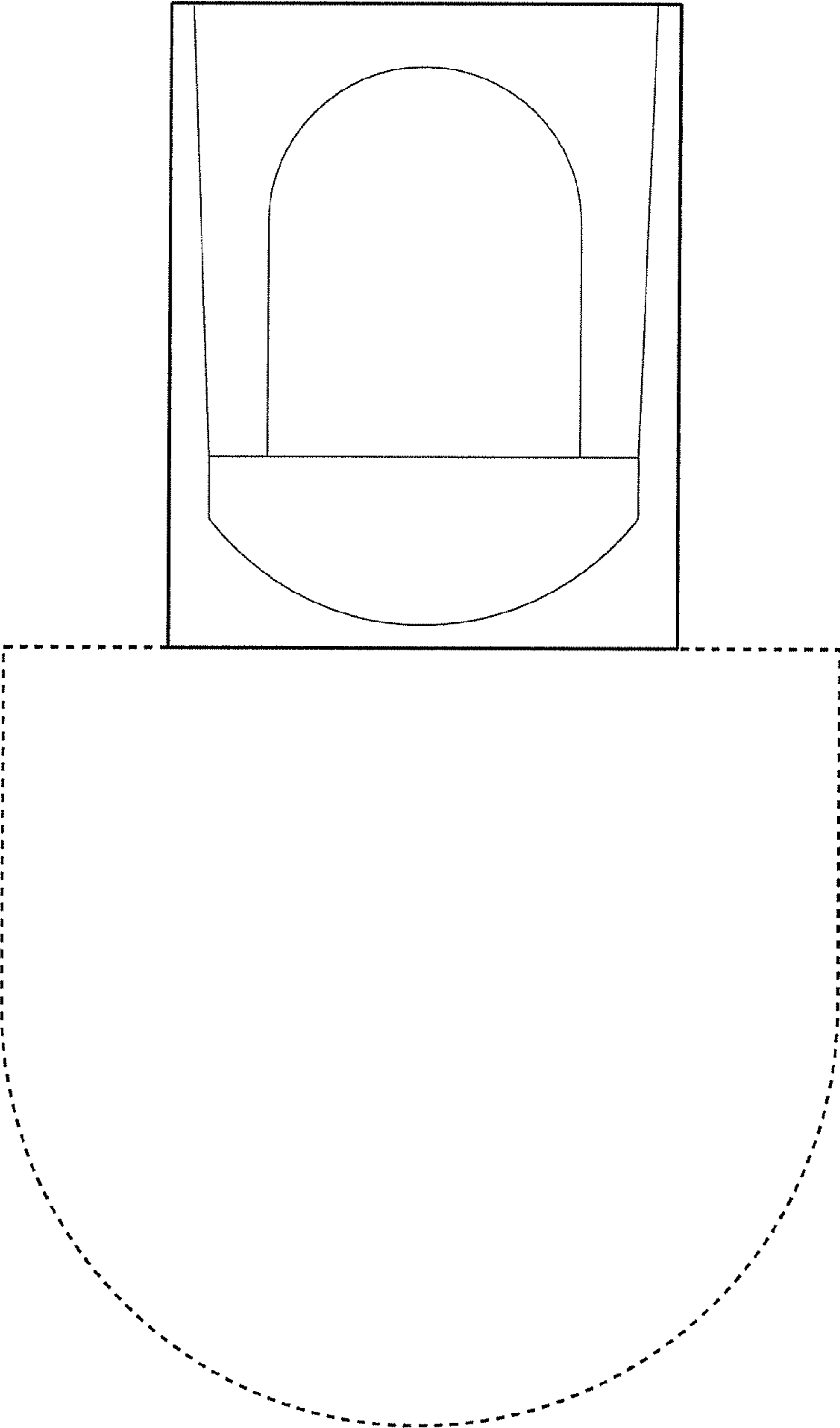


FIG. 7