



US00D680226S

(12) **United States Design Patent**  
**Motadel et al.**

(10) **Patent No.:** **US D680,226 S**  
(45) **Date of Patent:** **\*\* Apr. 16, 2013**

(54) **PIPETTE TIP**

(75) Inventors: **Arta Motadel**, San Diego, CA (US);  
**Peter Blaszcak**, San Diego, CA (US);  
**Phillip Hairfield**, San Diego, CA (US);  
**Sean Callahan**, San Diego, CA (US)

(73) Assignee: **Biotix, Inc.**, San Diego, CA (US)

(\*\*) Term: **14 Years**

(21) Appl. No.: **29/413,368**

(22) Filed: **Feb. 14, 2012**

**Related U.S. Application Data**

(62) Division of application No. 29/354,398, filed on Jan. 22, 2010, now Pat. No. Des. 663,042.

(51) **LOC (9) Cl.** ..... **24-02**

(52) **U.S. Cl.**  
USPC ..... **D24/222**

(58) **Field of Classification Search** ..... D24/216,  
D24/222-226, 231, 232, 186, 169, 133; D10/81;  
422/521, 501-503; 73/863.32, 864.01, 864.16,  
73/864.17, 864.14, 864.21; 436/180  
See application file for complete search history.

(56) **References Cited**

**U.S. PATENT DOCUMENTS**

D255,601 S 6/1980 De Vaughn  
D256,052 S 7/1980 De Vaughn  
4,647,419 A 3/1987 Helfer et al.  
4,707,337 A 11/1987 Jeffs et al.

(Continued)

**FOREIGN PATENT DOCUMENTS**

EP 0743095 11/1996  
EP 2140941 1/2010

(Continued)

**OTHER PUBLICATIONS**

International Search Report and Written Opinion mailed on: Aug. 25, 2010 in International Application No. PCT/US2010/020666 filed on Jan. 11, 2010 and published as: WO 10/081107 on: Jul. 15, 2010.

(Continued)

*Primary Examiner* — Anhdao Doan

(74) *Attorney, Agent, or Firm* — Grant Anderson LLP

(57) **CLAIM**

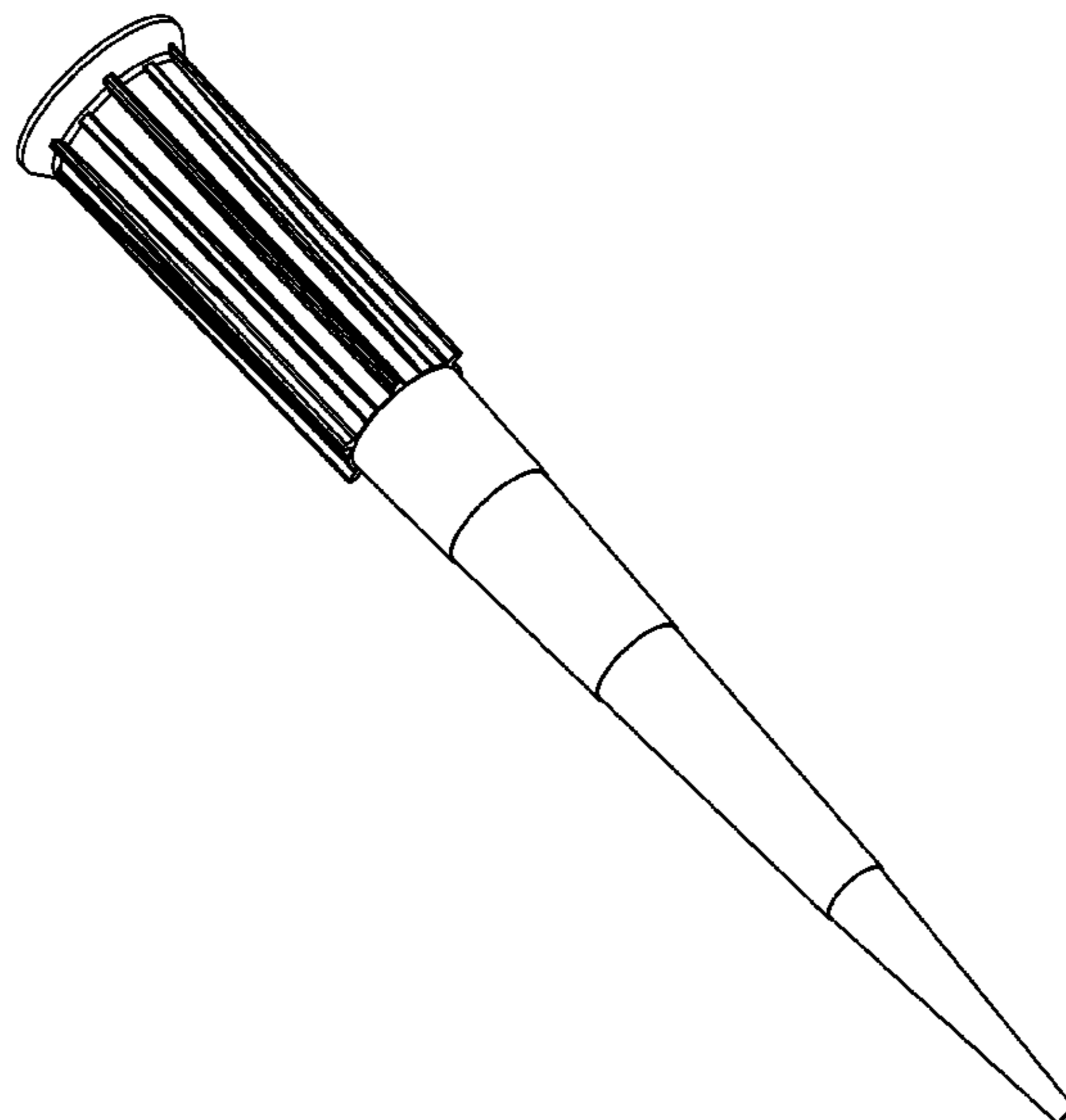
The ornamental design for a pipette tip, as shown and described.

**DESCRIPTION**

FIG. 1 is a perspective view of a first embodiment of a pipette tip;  
FIG. 2 is a side view thereof;  
FIG. 3 is another side view thereof;  
FIG. 4 is a top view thereof;  
FIG. 5 is a bottom view thereof;  
FIG. 6 is a perspective view of a second embodiment of a pipette tip;  
FIG. 7 is a side view thereof;  
FIG. 8 is another side view thereof;  
FIG. 9 is a top view thereof;  
FIG. 10 is a bottom view thereof;  
FIG. 11 is a perspective view of a third embodiment of a pipette tip;  
FIG. 12 is a side view thereof;  
FIG. 13 is another side view thereof;  
FIG. 14 is a top view thereof; and,  
FIG. 15 is a bottom view thereof.

The broken lines in FIGS. 4, 9, 14 are included for the purpose of illustrating portions of the pipette tip that form no part of the claimed design.

**1 Claim, 12 Drawing Sheets**



# US D680,226 S

Page 2

## U.S. PATENT DOCUMENTS

D300,561	S	4/1989	Asa et al.	
5,032,343	A	7/1991	Jeffs et al.	
5,156,811	A	10/1992	White	
5,232,669	A	8/1993	Pardinas	
D384,418	S	9/1997	Torti et al.	
D439,986	S	4/2001	Petrek	
D461,904	S	8/2002	Petrek	
D465,844	S	11/2002	Anderson et al.	
6,566,145	B2	5/2003	Brewer	
6,596,240	B2	7/2003	Taggart et al.	
D487,593	S	3/2004	Sarna	
7,335,337	B1	2/2008	Smith	
7,794,664	B2 *	9/2010	Pelletier et al.	422/400
8,105,555	B2 *	1/2012	Lahti	422/526
D663,042	S	7/2012	Motadel et al.	
2005/0255005	A1	11/2005	Motadel	
2006/0171851	A1	8/2006	Motadel	
2007/0017870	A1	1/2007	Belov	
2007/0231215	A1	10/2007	Mototsu et al.	
2010/0218622	A1	9/2010	Motadel	

## FOREIGN PATENT DOCUMENTS

JP	08-266913	10/1996
RU	2144158	1/2000

WO	WO 2006/093925	9/2006
WO	WO 2010/081107	7/2010
WO	WO 2011/091308	7/2011

## OTHER PUBLICATIONS

International Preliminary Report on Patentability mailed on: Jul. 21, 2011 in International Application No. PCT/US2010/020666 filed on Jan. 11, 2010 and published as: WO 10/081107 on: Jul. 15, 2010.

International Search Report and Written Opinion mailed on: Oct. 28, 2011 in International Application No. PCT/US2011/022129 filed on Jan. 21, 2011 and published as: WO 2011/091308 on: Jul. 28, 2011. Corning Deck Works Piptet Tips, Product Brochure 2010.

Sorenson BioScience, Inc. Liquid Handling Products, VWR 2008 Catalog.

Sorenson low binding aerosol barrier tips, MicroReach Guard, capacity 10ul. Catalog No. Z719390, Sigma-Aldrich Co. 2010 Catalog, Printed from the internet on Sep. 9, 2010.

Office Action mailed on: Jan. 10, 2012 in U.S. Appl. No. 12/685,590, filed Jan. 11, 2010.

Office Action mailed on: Jul. 11, 2012 in U.S. Appl. No. 12/685,590, filed Jan. 11, 2010.

\* cited by examiner

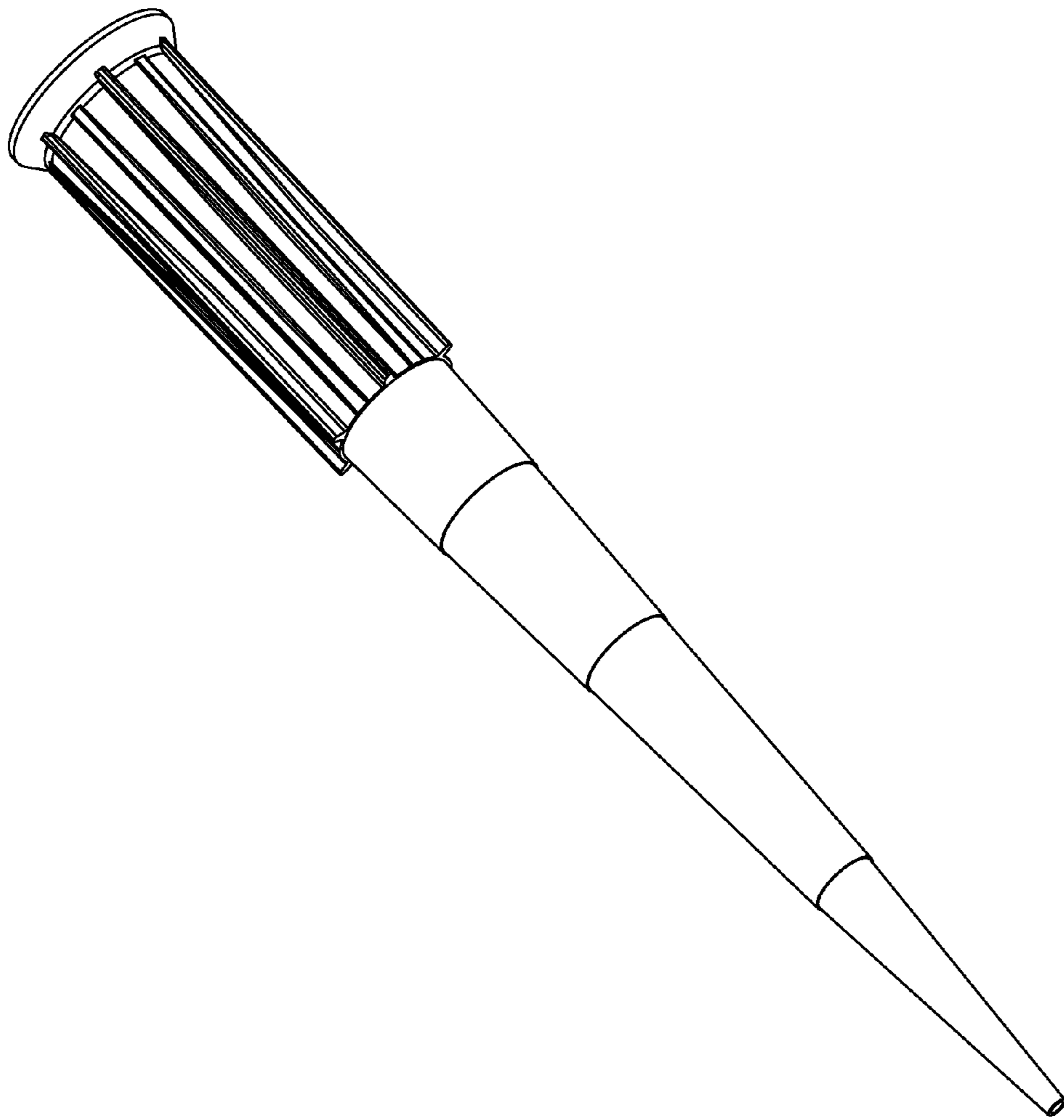


FIG. 1

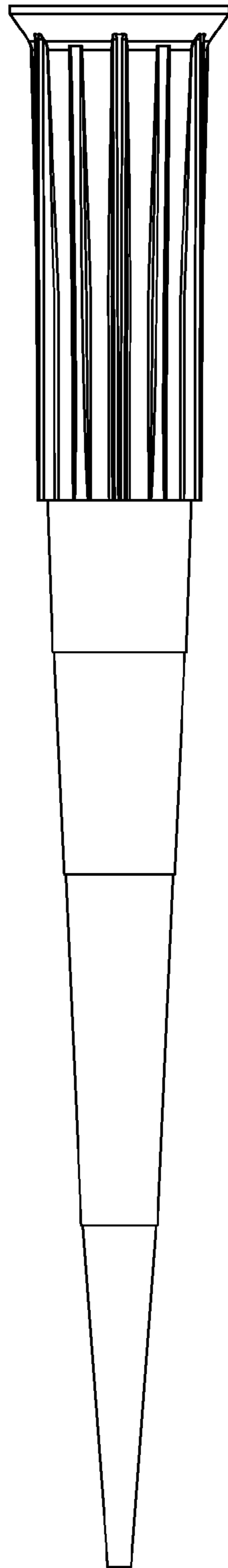


FIG. 2

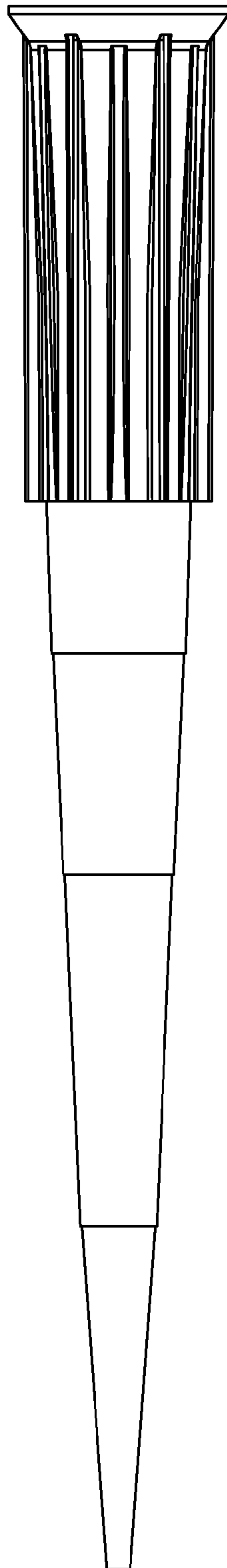


FIG. 3

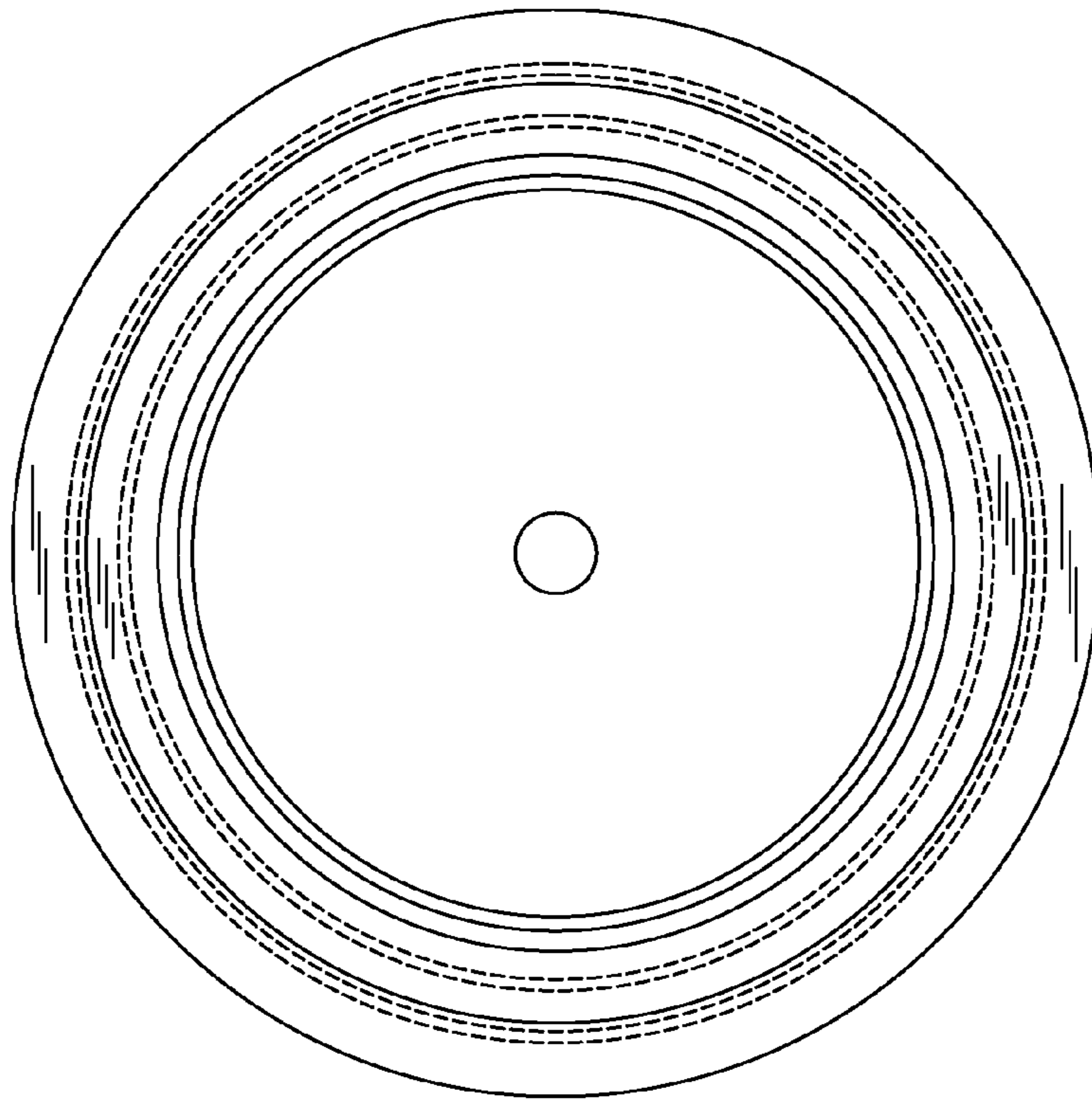


FIG. 4

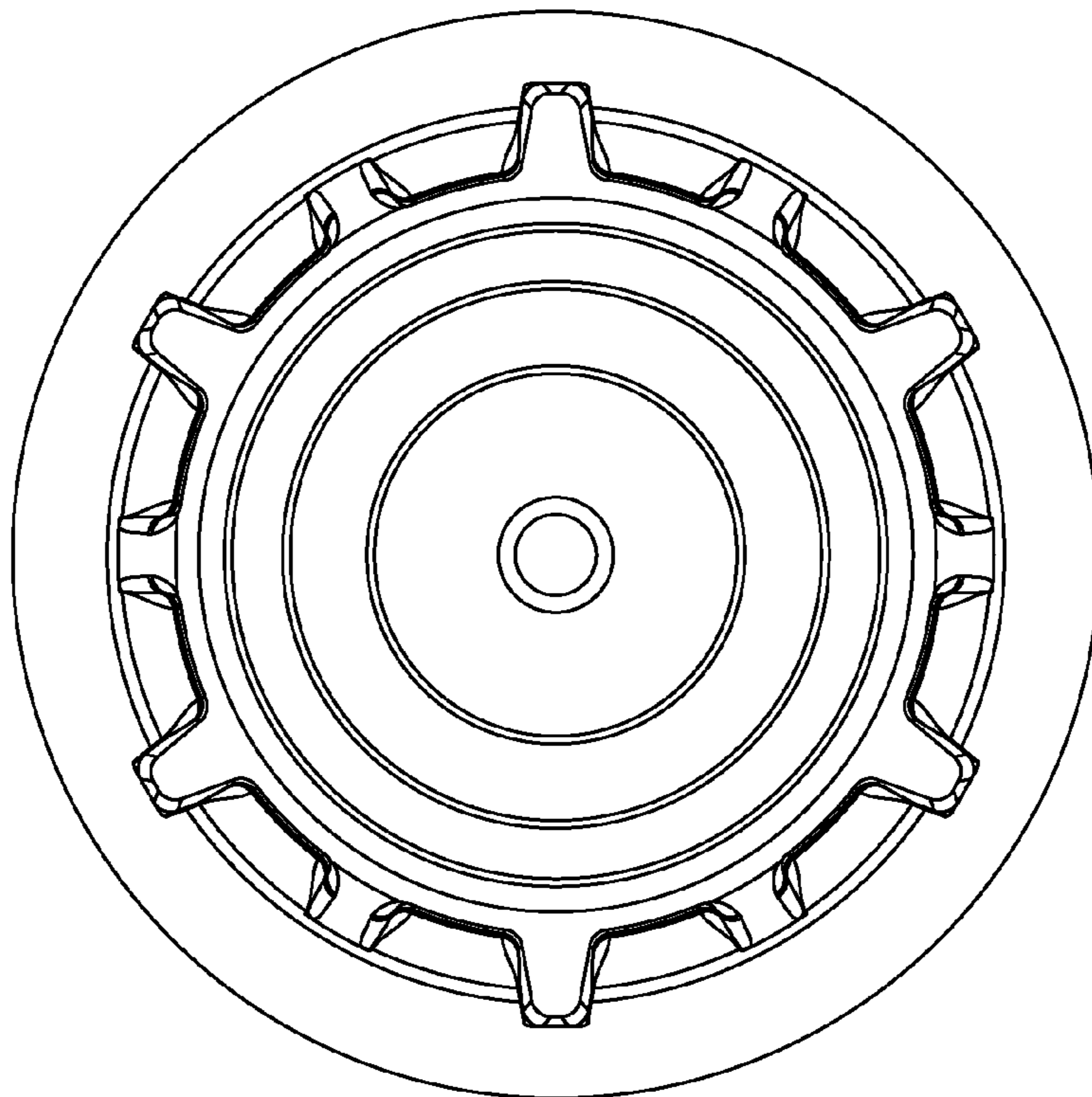


FIG. 5

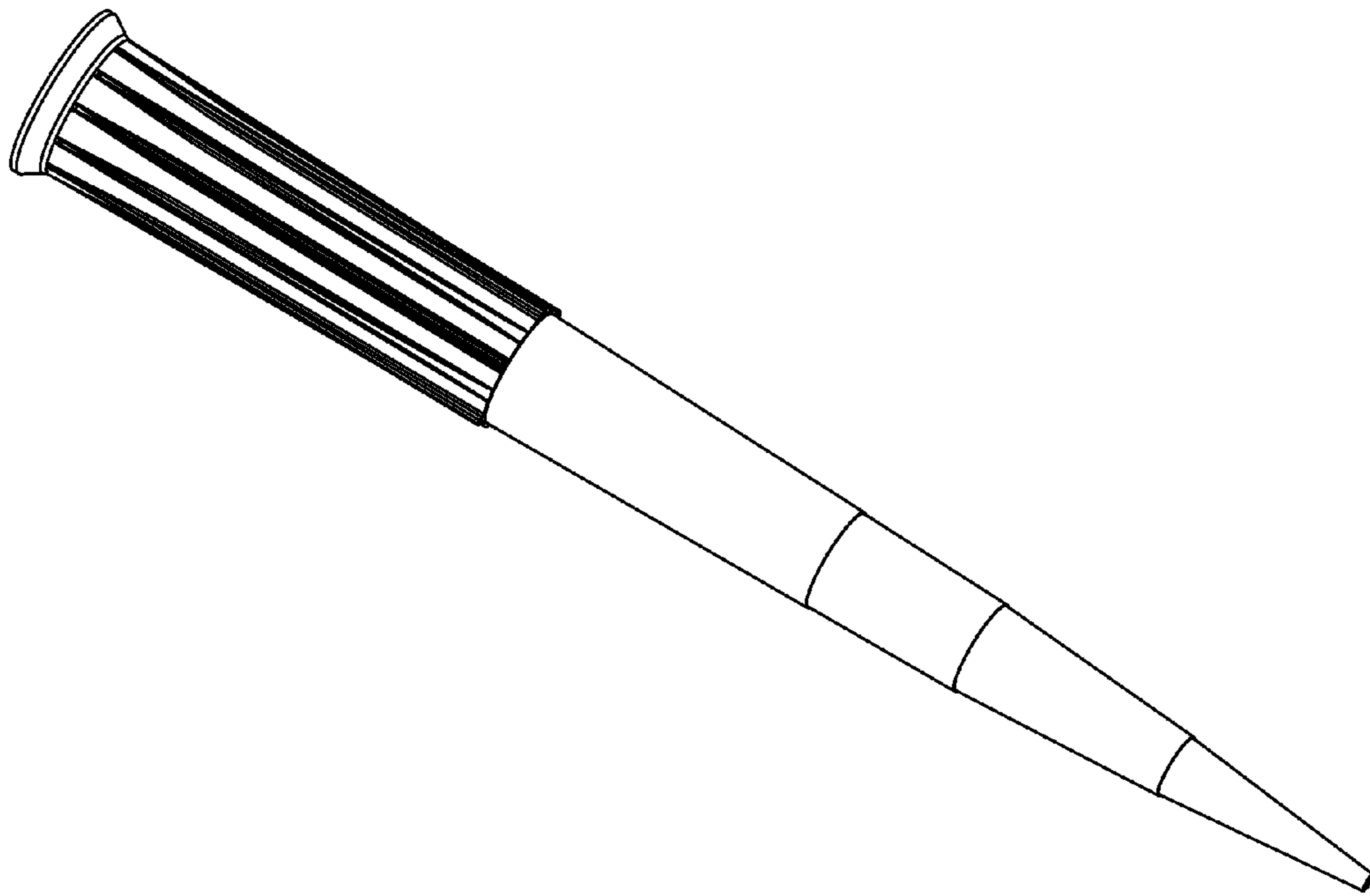


FIG. 6

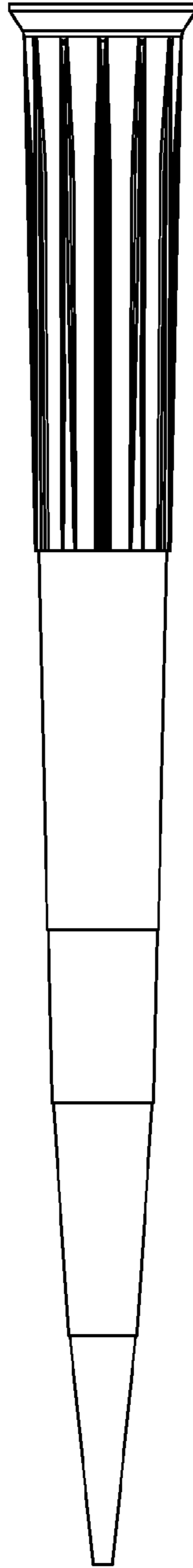


FIG. 7



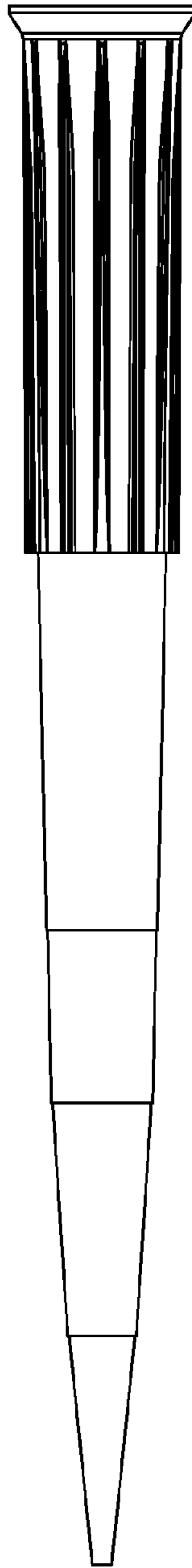


FIG. 8

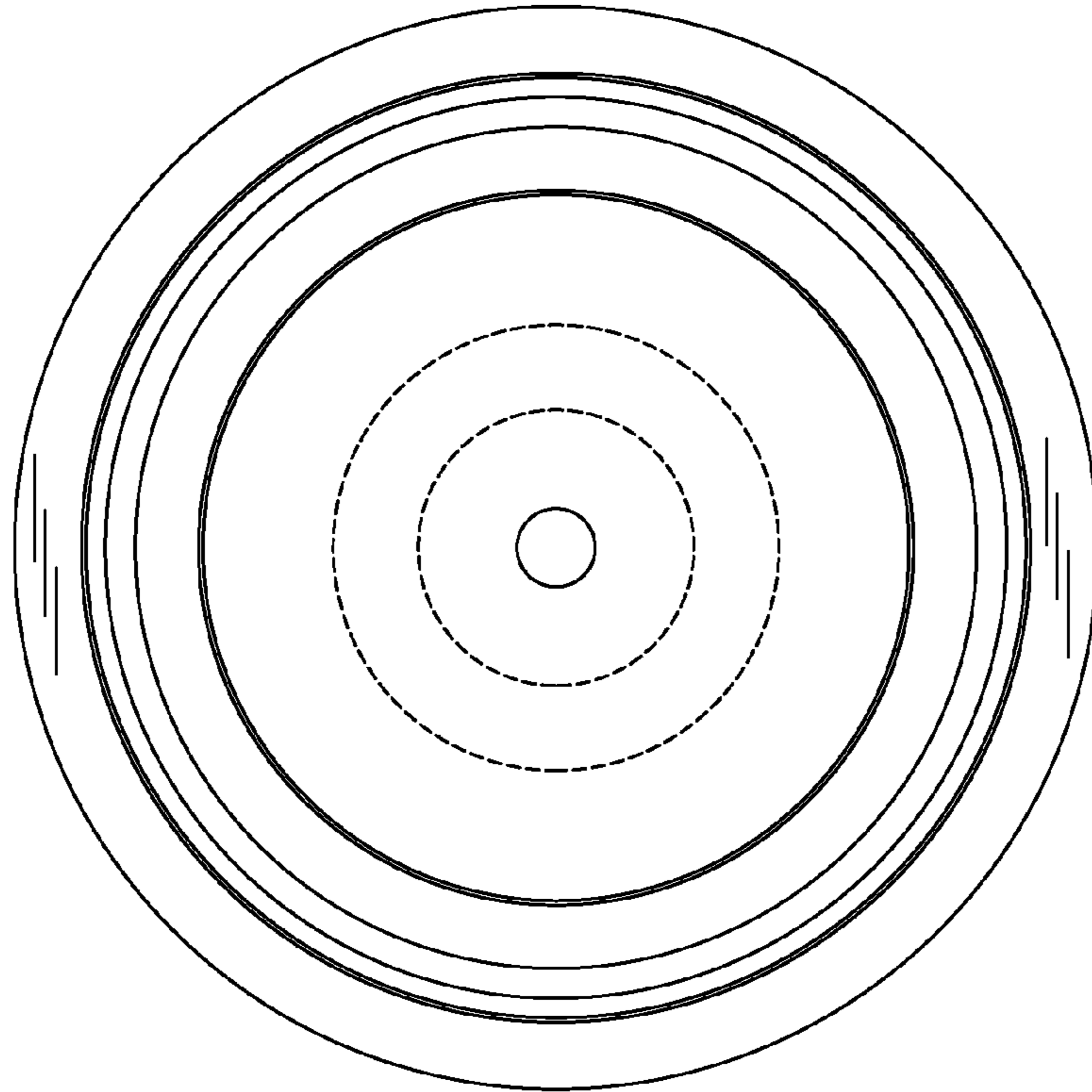


FIG. 9

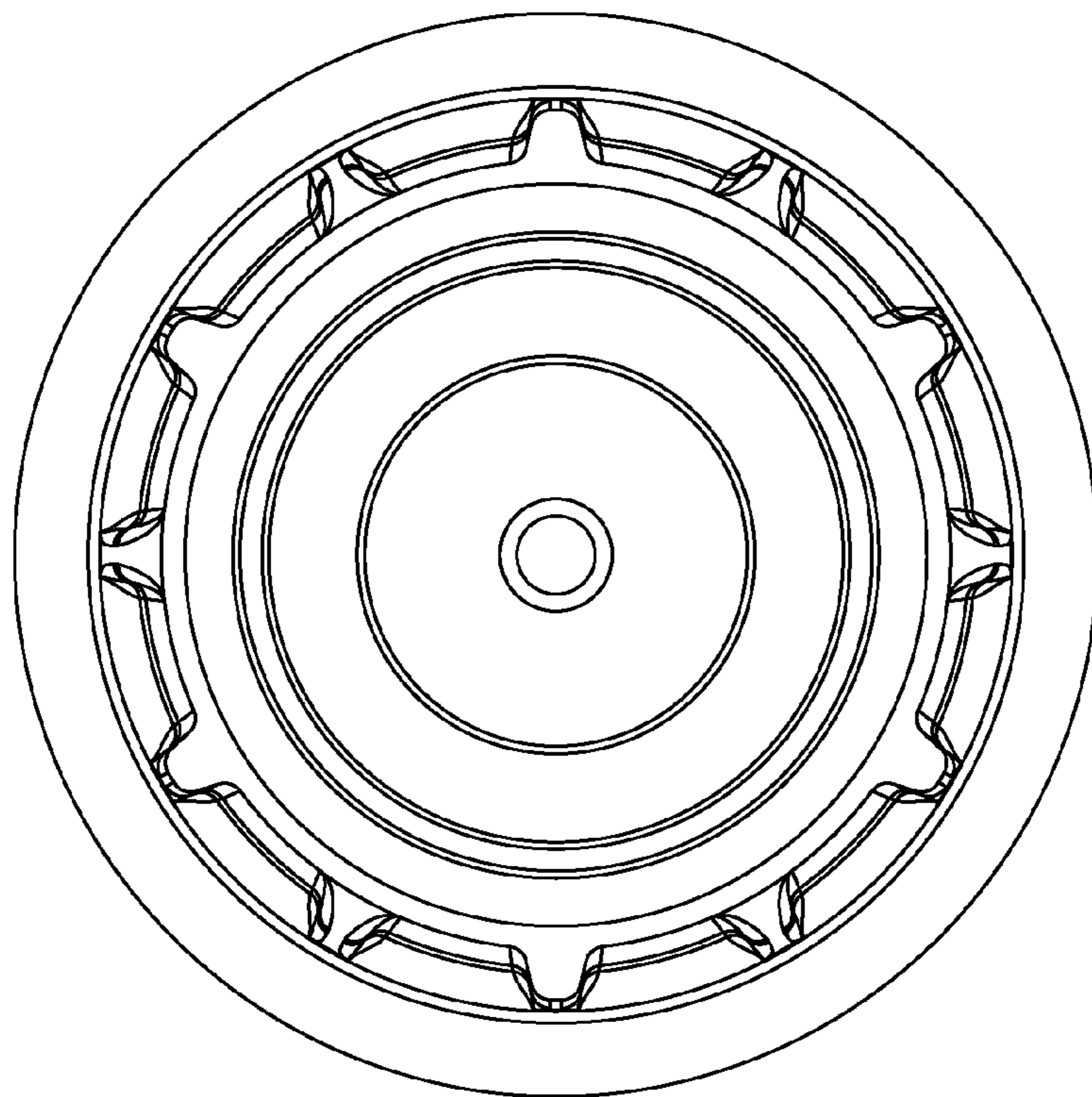


FIG. 10

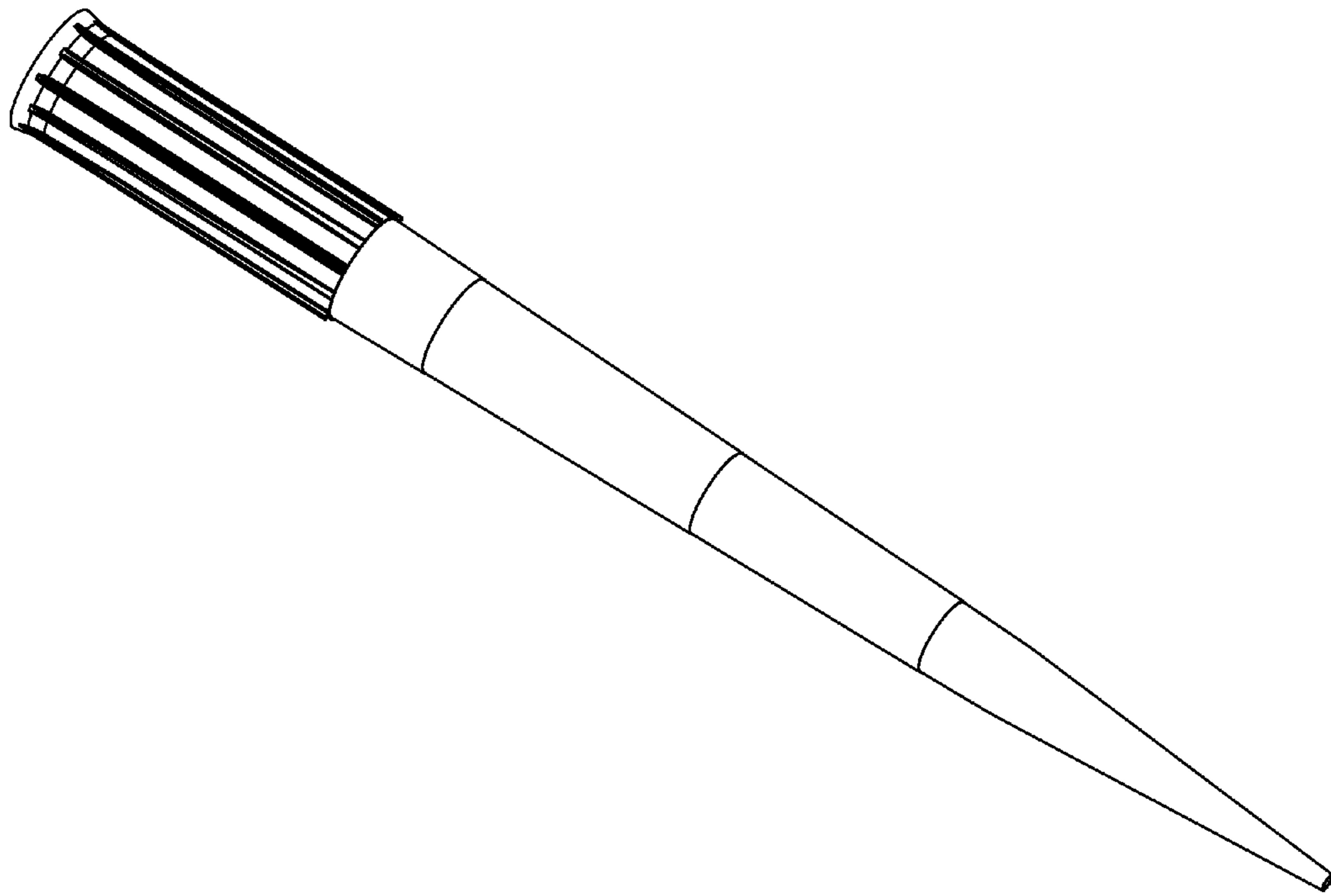


FIG. 11

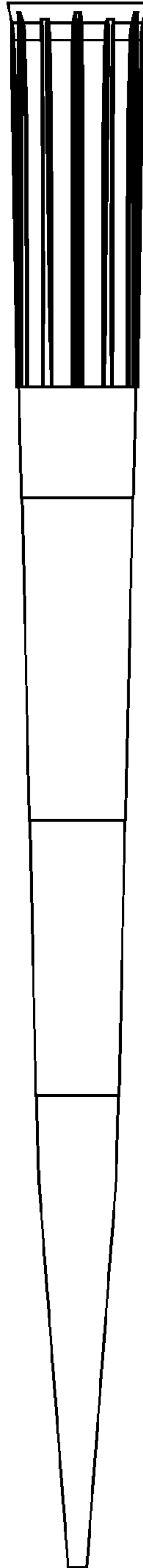


FIG. 12

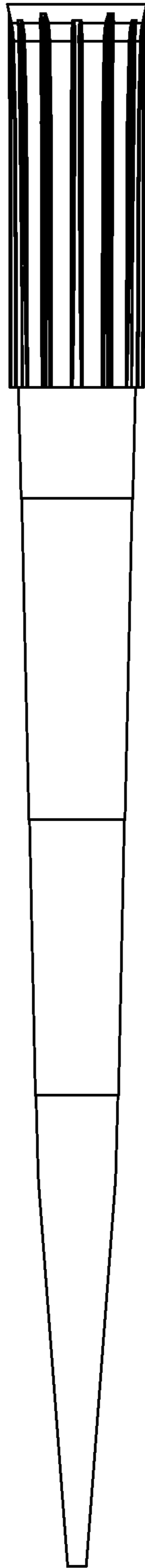


FIG. 13

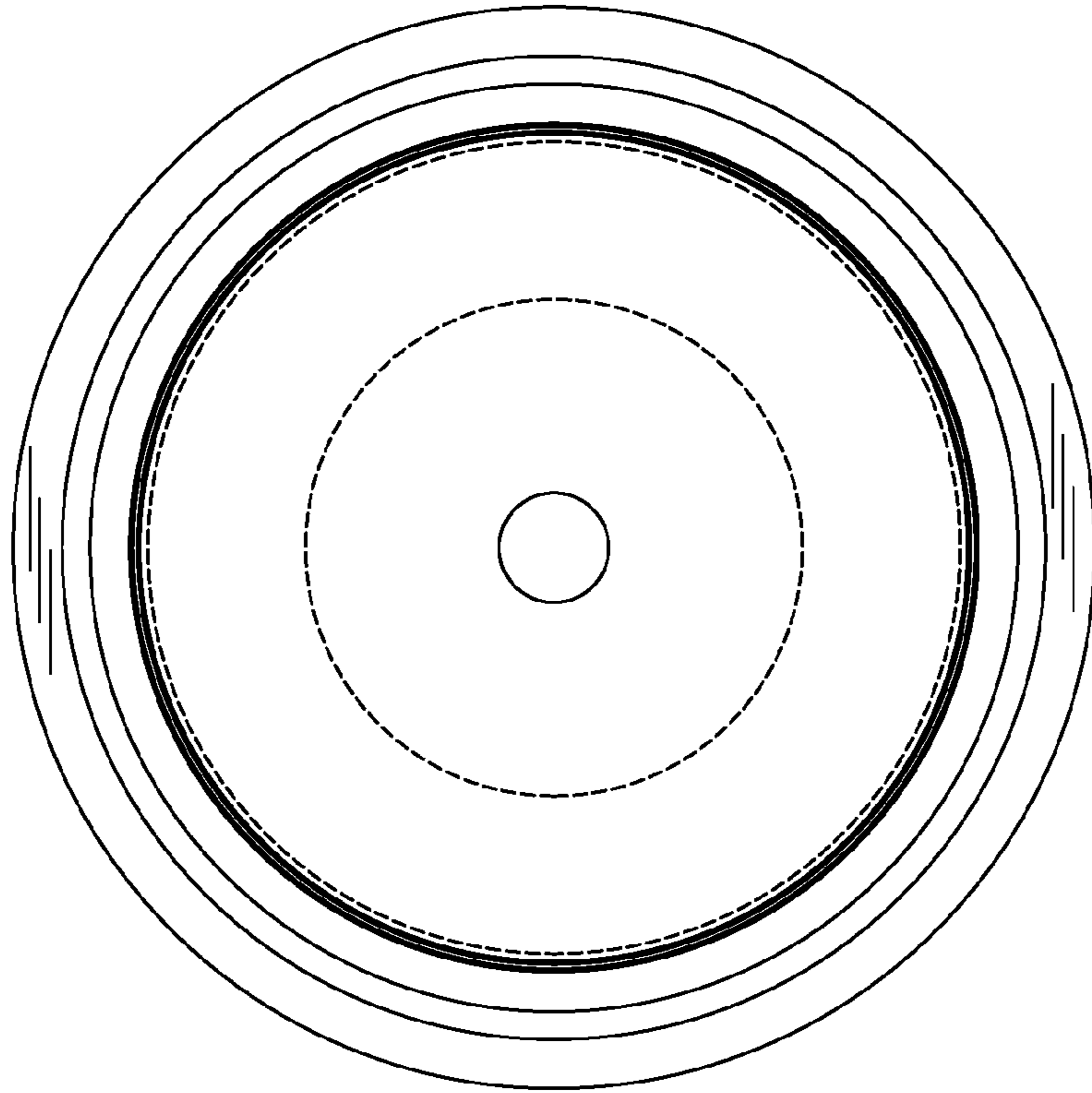


FIG. 14

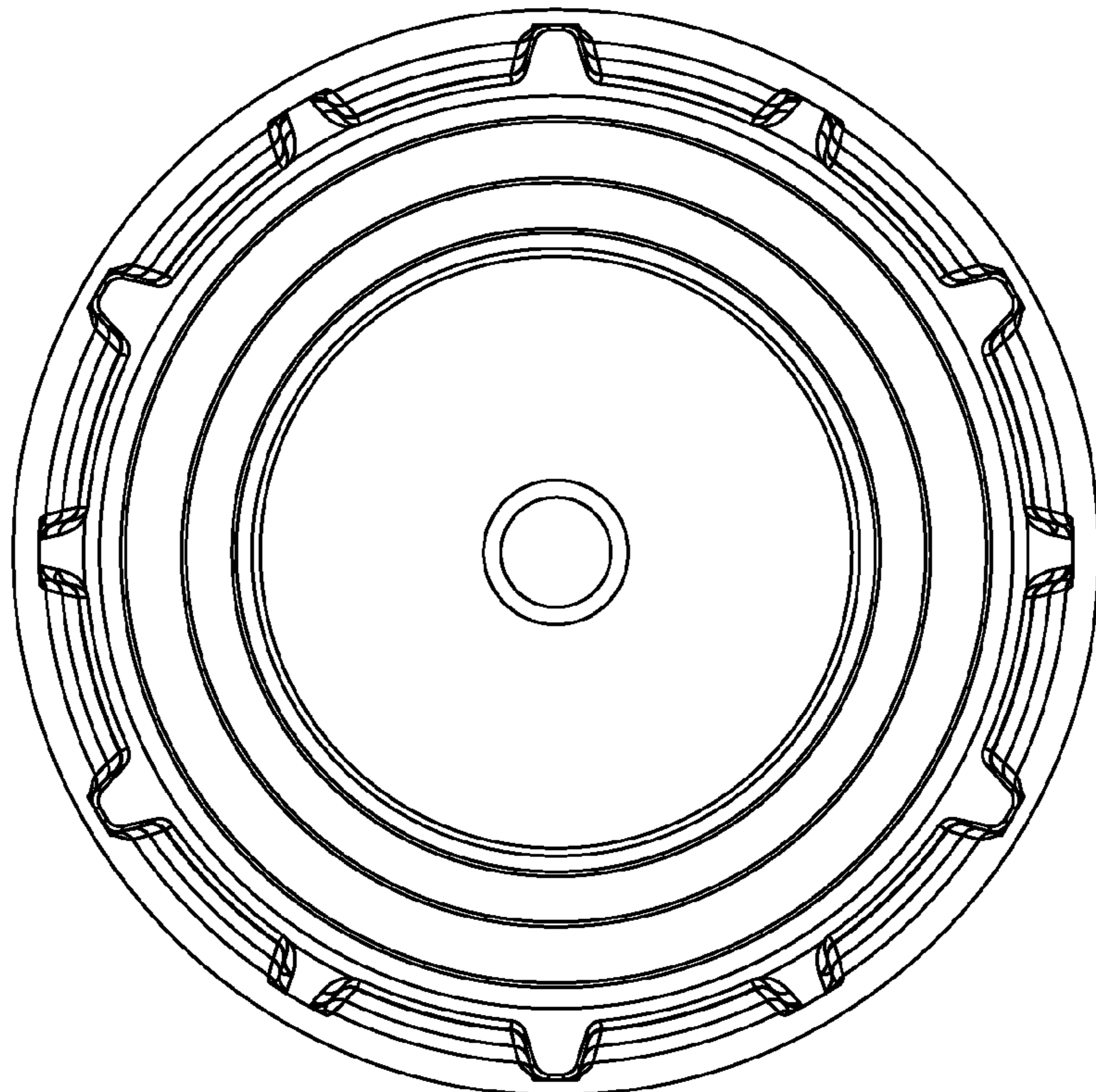


FIG. 15