



US00D680224S

(12) **United States Design Patent**
Wang

(10) **Patent No.:** **US D680,224 S**

(45) **Date of Patent:** **** Apr. 16, 2013**

(54) **JET SPA**

(75) Inventor: **Zhiyue Wang**, Shanghai (CN)

(73) Assignee: **Oriental Recreational Products (Shanghai) Co., Ltd.**, Shanghai (CN)

(**) Term: **14 Years**

(21) Appl. No.: **29/410,485**

(22) Filed: **Jan. 9, 2012**

(30) **Foreign Application Priority Data**

Jul. 14, 2011 (CN) 2011 3 0223427

(51) **LOC (9) Cl.** **23-02**

(52) **U.S. Cl.**
USPC **D24/204**

(58) **Field of Classification Search** D24/201,
D24/204, 205, 200; D23/277, 254, 269,
D23/213; 601/154-160, 169, 167, 134;
4/541.1-541.6, 547, 578.1, 579; 277/606,
277/626

See application file for complete search history.

(56) **References Cited**

U.S. PATENT DOCUMENTS

D305,062 S * 12/1989 Jacuzzi et al. D24/205
5,199,116 A * 4/1993 Fischer 4/541.2
5,271,561 A * 12/1993 Tobias et al. 4/541.6

5,392,473 A * 2/1995 Idland et al. 4/541.1
D380,049 S * 6/1997 Allen D24/204
D382,945 S * 8/1997 Hansen et al. D23/277
D399,306 S * 10/1998 Hansen D23/277
6,108,829 A * 8/2000 Wadsworth 4/541.1
6,112,341 A * 9/2000 Moreland 4/541.1
6,357,059 B1 * 3/2002 Lau 4/541.1
8,048,010 B2 * 11/2011 Ohashi et al. 601/155
8,108,954 B2 * 2/2012 Lau 4/541.1
2002/0029414 A1 * 3/2002 Shun Lau 4/541.1

FOREIGN PATENT DOCUMENTS

CN 300751090 2/2008
CN 300776321 5/2008
CN 300779207 5/2008

* cited by examiner

Primary Examiner — David Muller

(74) *Attorney, Agent, or Firm* — Rabin & Berdo, P.C.

(57) **CLAIM**

The ornamental design for a jet spa, as shown and described.

DESCRIPTION

FIG. 1 is a front view of a jet spa showing my new design;

FIG. 2 is a bottom plan thereof;

FIG. 3 is a top plan view thereof;

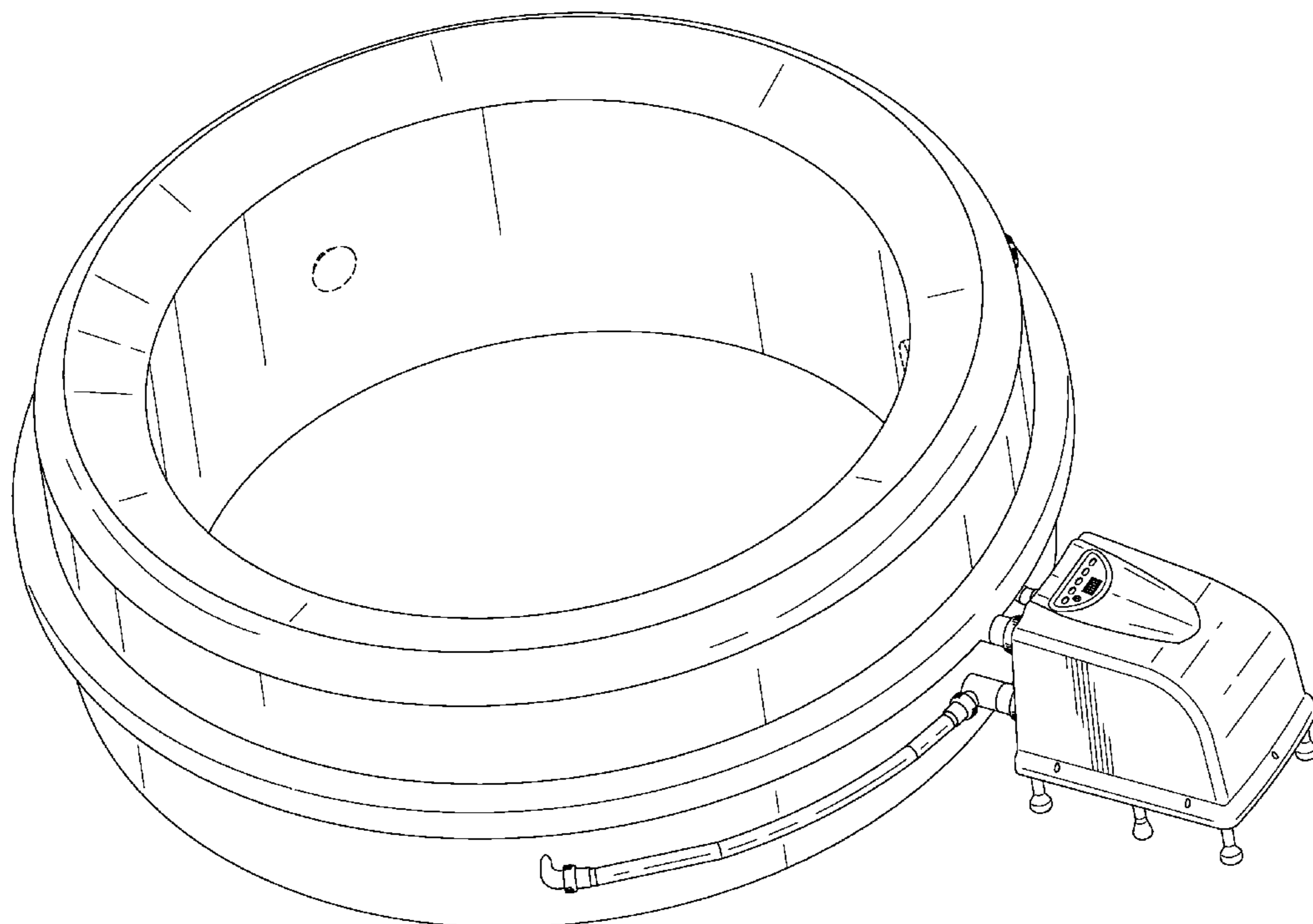
FIG. 4 is a left side view thereof;

FIG. 5 is a right side view thereof; and,

FIG. 7 is a perspective view thereof.

The features shown in broken lines depict environmental subject matter only and form no part of the claimed design.

1 Claim, 5 Drawing Sheets



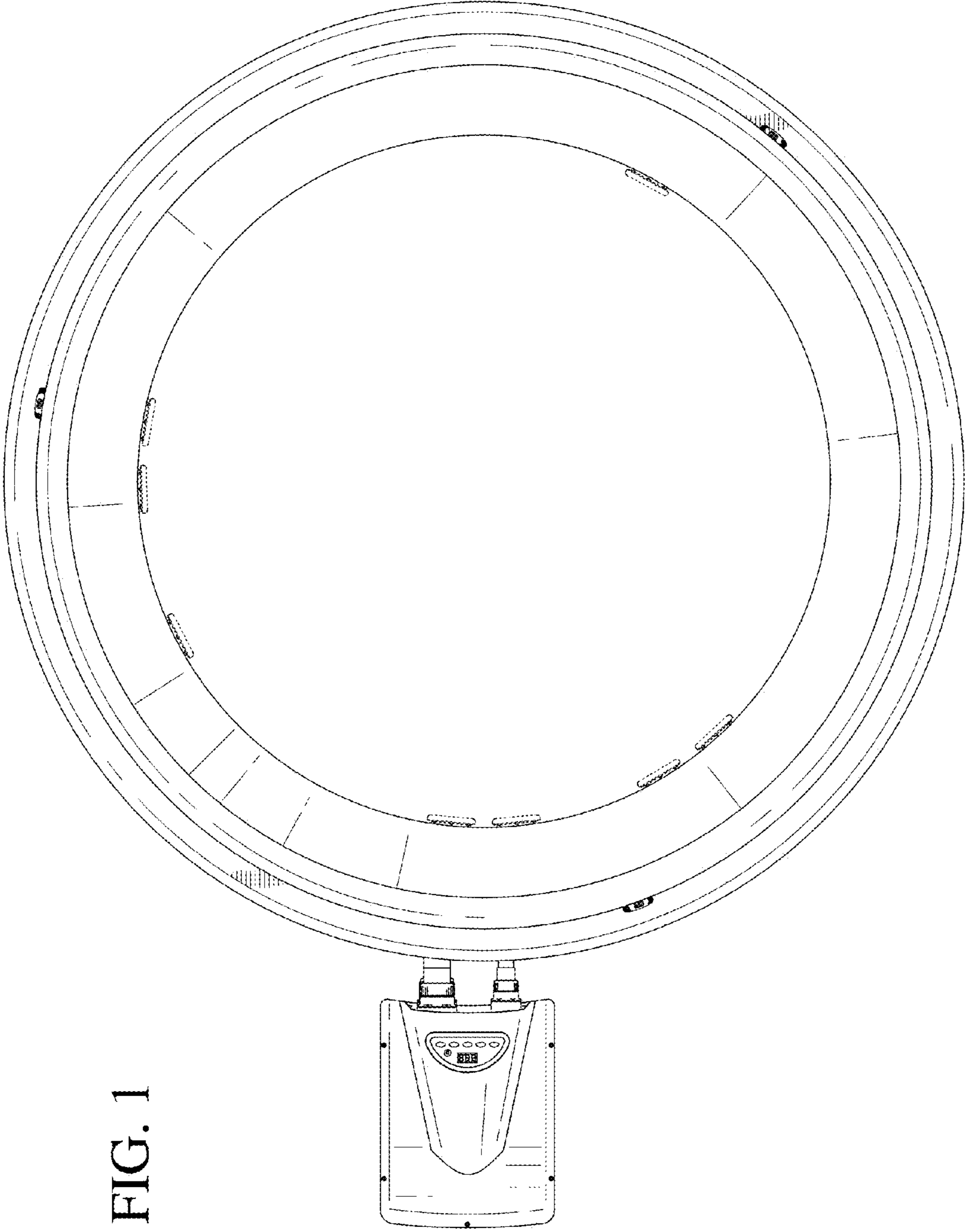


FIG. 1

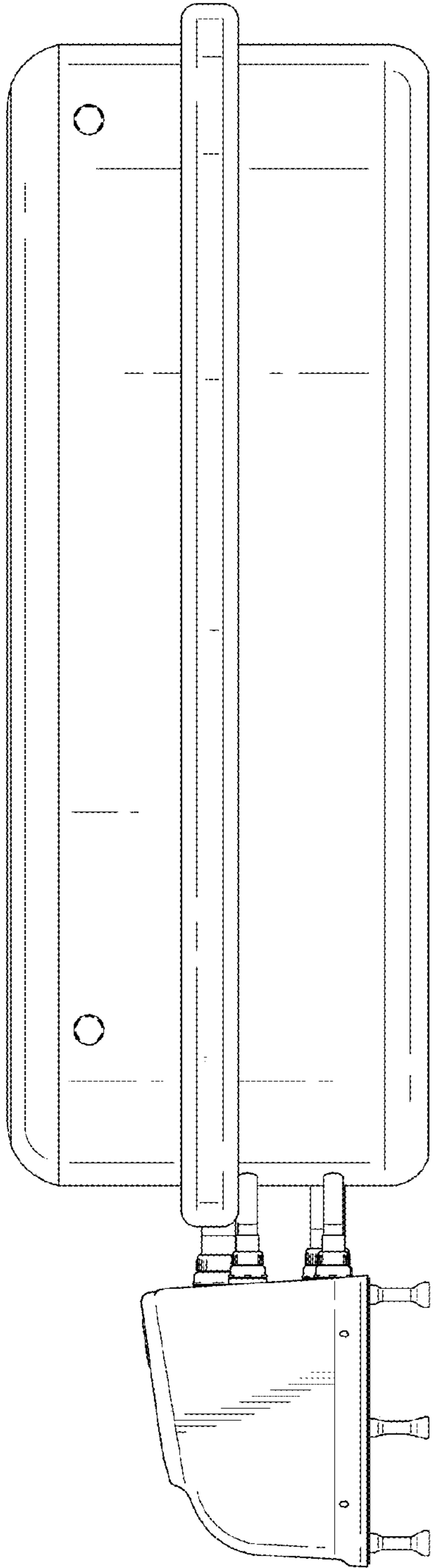


FIG. 2

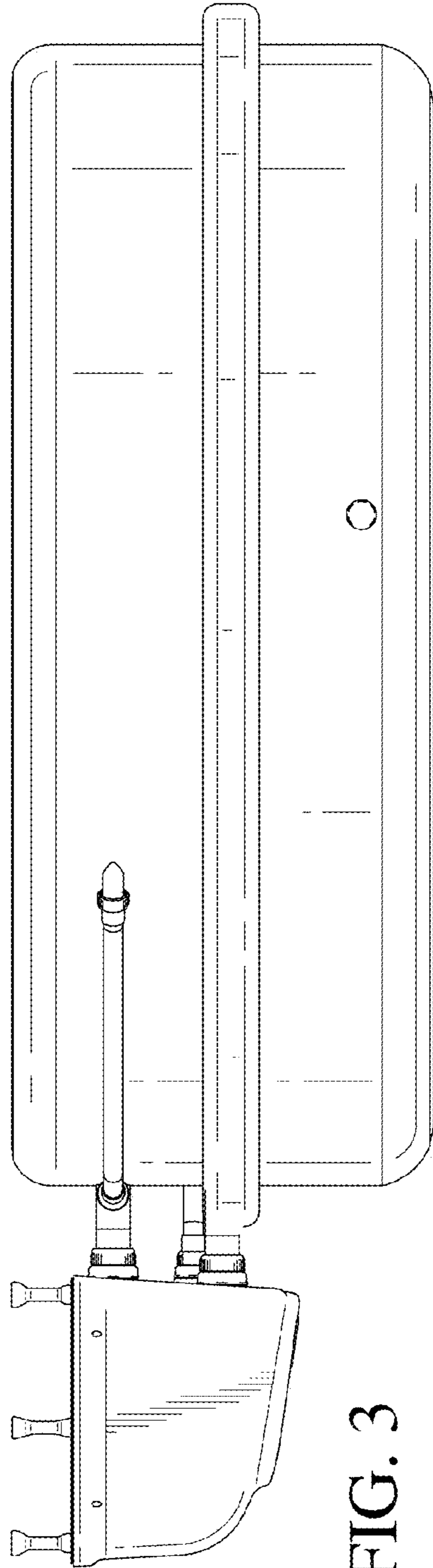


FIG. 3

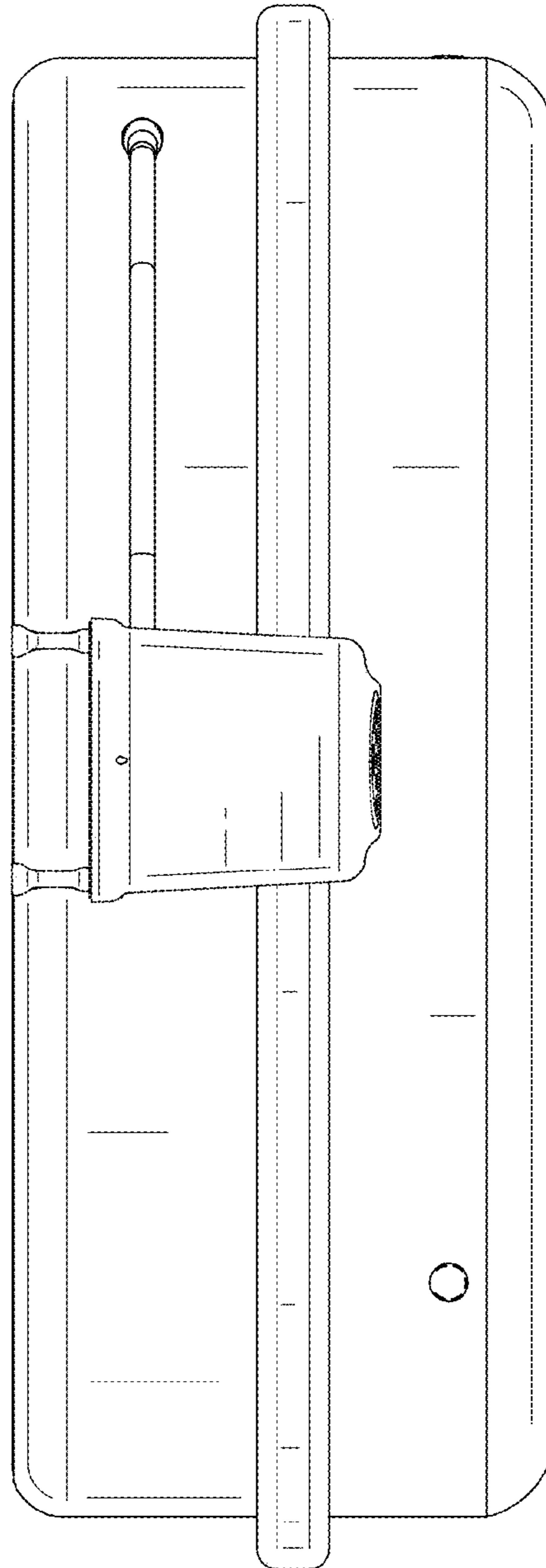


FIG. 4

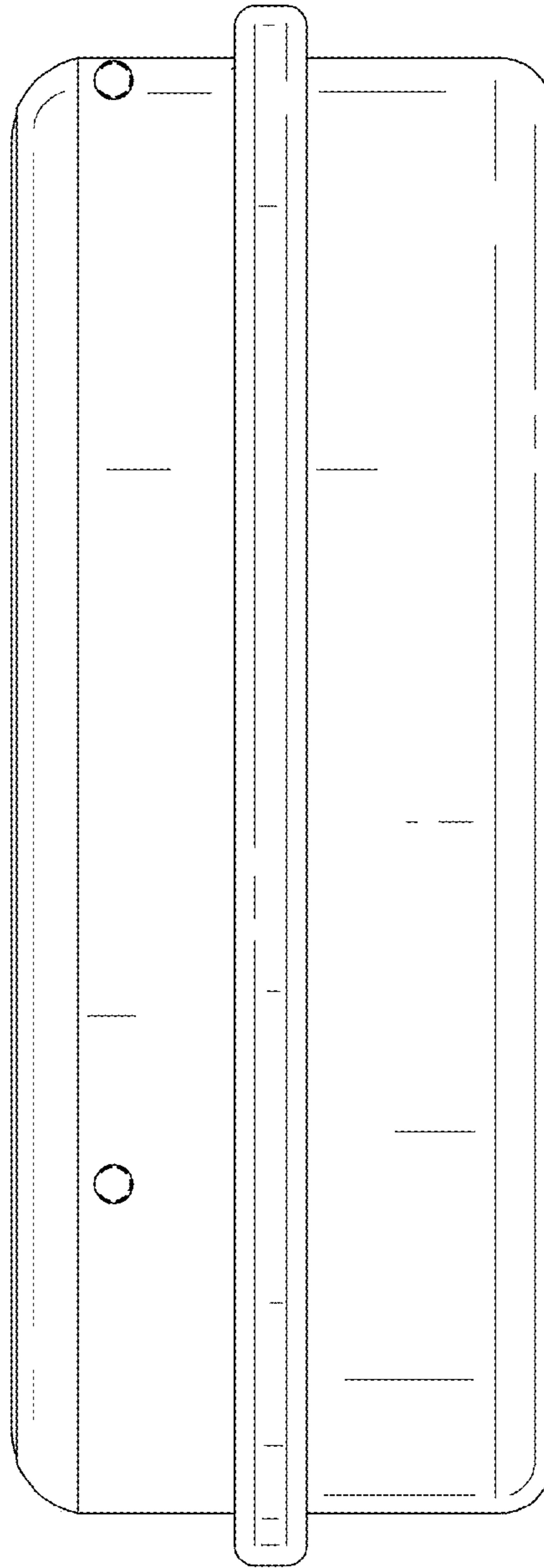


FIG. 5

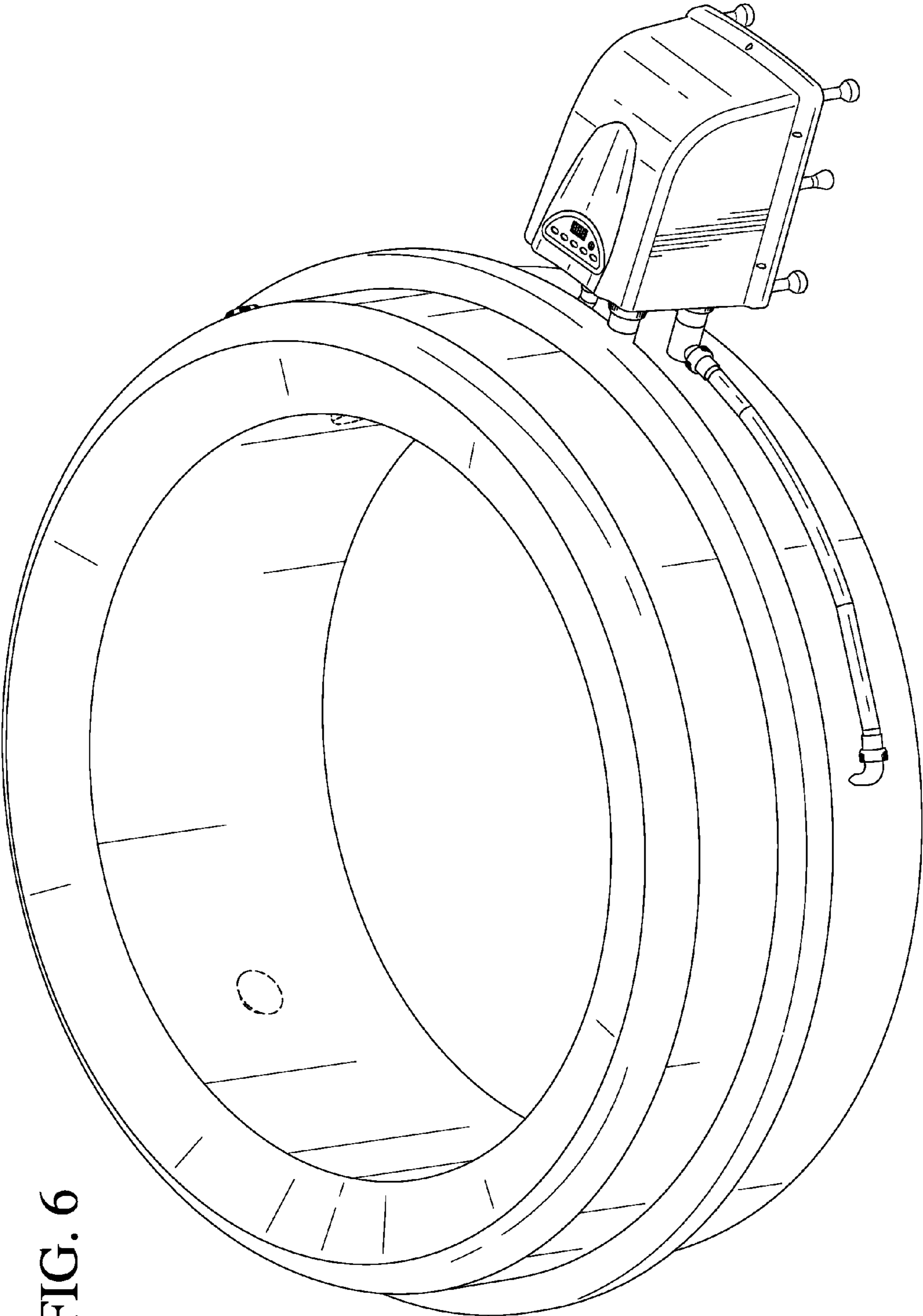


FIG. 6