



US00D680220S

(12) **United States Design Patent**  
**Rachlin**

(10) **Patent No.:** **US D680,220 S**  
(45) **Date of Patent:** **\*\* Apr. 16, 2013**

(54) **SLIDER HANDLE FOR LAPAROSCOPIC DEVICE**

FOREIGN PATENT DOCUMENTS

CN 1103807 6/1995  
CN 201299462 9/2009

(75) Inventor: **Thomas M. Rachlin**, Boulder, CO (US)

(Continued)

(73) Assignee: **Covidien IP**, Mansfield, MA (US)

OTHER PUBLICATIONS

(\*\*) Term: **14 Years**

U.S. Appl. No. 08/926,869, filed Sep. 10, 1997, James G. Chandler.

(21) Appl. No.: **29/410,804**

(Continued)

(22) Filed: **Jan. 12, 2012**

*Primary Examiner* — Wan Laymon

(51) **LOC (9) Cl.** ..... **24-02**

(52) **U.S. Cl.**

USPC ..... **D24/144**; D24/133

(58) **Field of Classification Search** ..... D24/133,  
D24/144-147, 170; D8/83, 94, 107; 606/13-16,  
606/41-50, 96

See application file for complete search history.

(57) **CLAIM**

The ornamental design for a slider handle for laparoscopic device, as shown and described.

**DESCRIPTION**

(56) **References Cited**

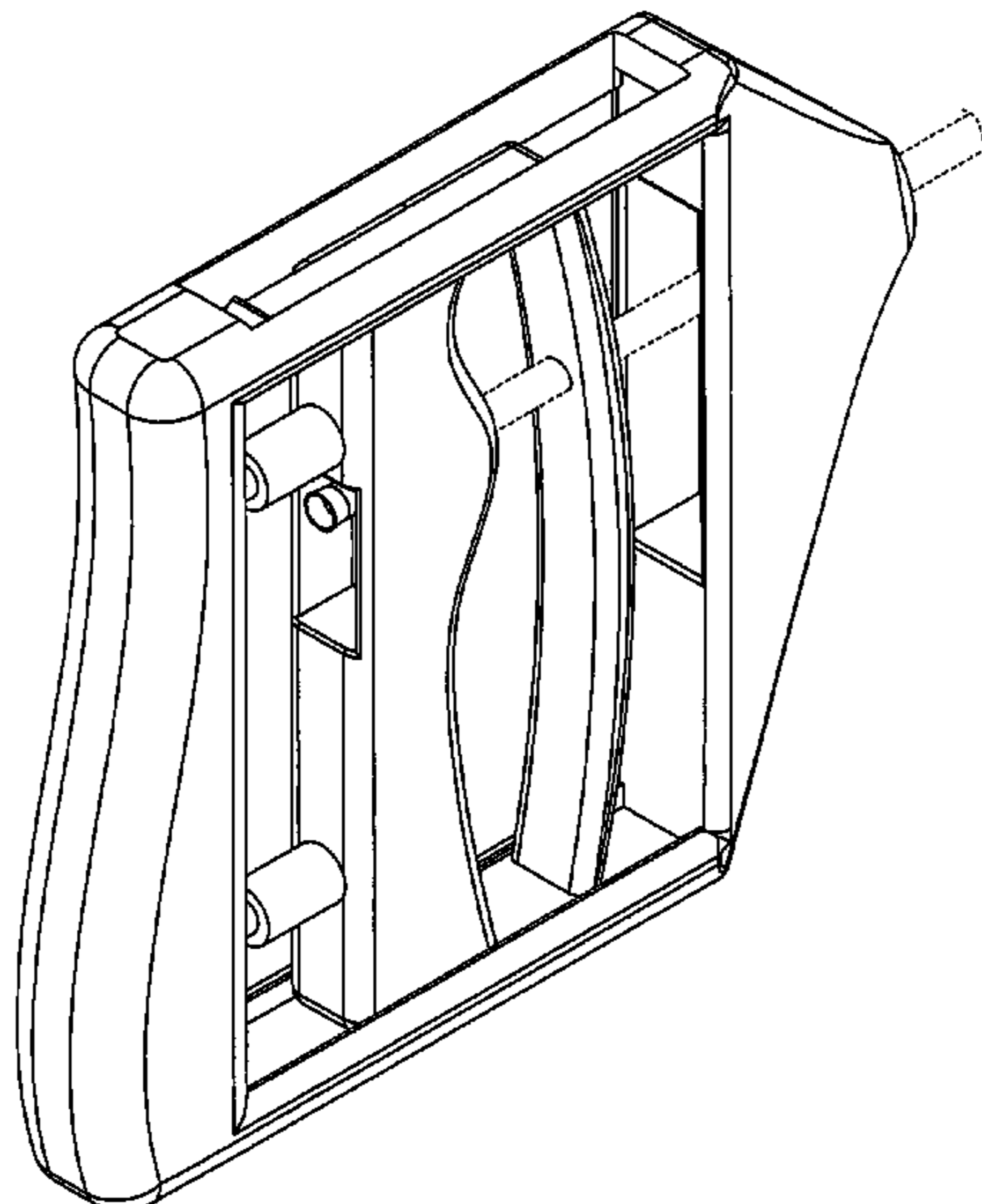
U.S. PATENT DOCUMENTS

371,664	A	10/1887	Brannan et al.
702,472	A	6/1902	Pignolet
728,883	A	5/1903	Downes
1,586,645	A	6/1926	Bierman
1,813,902	A	7/1931	Bovie
1,822,330	A	9/1931	Ainslie
1,852,542	A	4/1932	Sovatkin
1,908,201	A	5/1933	Welch et al.
1,918,889	A	7/1933	Bacon
2,002,594	A	5/1935	Wappler et al.
2,011,169	A	8/1935	Wappler
2,031,682	A	2/1936	Wappler et al.
2,054,149	A	9/1936	Wappler
2,113,246	A	5/1937	Wappler
2,141,936	A	12/1938	Schmitt
2,176,479	A	10/1939	Willis
2,305,156	A	4/1941	Grubel
2,245,030	A	6/1941	Gottesfeld et al.
2,279,753	A	4/1942	Knopp
2,327,353	A	8/1943	Karle

(Continued)

FIG. 1 is a perspective view of a slider handle for laparoscopic device in accordance with an embodiment of the present design;  
FIG. 2 is an enlarged right side view of the slider handle for laparoscopic device of FIG. 1;  
FIG. 3 is an enlarged left side view of the slider handle for laparoscopic device of FIG. 1;  
FIG. 4 is an enlarged top view of the slider handle for laparoscopic device of FIG. 1;  
FIG. 5 is an enlarged bottom view of the slider handle for laparoscopic device of FIG. 1;  
FIG. 6 is an enlarged rear view of the slider handle for laparoscopic device of FIG. 1; and,  
FIG. 7 is an enlarged front view of the slider handle for laparoscopic device of FIG. 1.  
In FIGS. 1-7, the features of the slider handle for laparoscopic device shown in phantom lines are for illustrative purposes only and do not constitute a part of the claimed design.

**1 Claim, 7 Drawing Sheets**



# US D680,220 S

Page 2

U.S. PATENT DOCUMENTS				
2,632,661 A	8/1948	Cristofv	4,574,804 A	3/1986 Kurwa
2,668,538 A	2/1954	Baker	4,597,379 A	7/1986 Kihn et al.
2,796,065 A	6/1957	Kapp	4,600,007 A	7/1986 Lahodny et al.
2,824,915 A	2/1958	Buturuga	4,619,258 A	10/1986 Pool
3,073,311 A	1/1963	Tibbs et al.	4,624,254 A	11/1986 McGarry et al.
3,100,489 A	8/1963	Bagley	4,625,723 A	12/1986 Altnether et al.
3,204,807 A	9/1965	Ramsing	4,644,950 A	2/1987 Valli
3,372,288 A	3/1968	Wigington	4,655,215 A	4/1987 Pike
3,459,187 A	8/1969	Pallotta	4,655,216 A	4/1987 Tischer
3,561,448 A	2/1971	Peternel	4,657,016 A	4/1987 Garito et al.
3,643,663 A	2/1972	Sutter	4,662,372 A	5/1987 Sharkany et al.
3,648,001 A	3/1972	Anderson et al.	4,671,274 A	6/1987 Sorochenko
3,651,811 A	3/1972	Hildebrandt et al.	4,674,499 A	6/1987 Pao
D223,367 S	4/1972	Kountz	4,685,459 A	8/1987 Koch et al.
3,678,229 A	7/1972	Osika	4,733,662 A	3/1988 DeSatnick et al.
3,720,896 A	3/1973	Beierlein	D295,893 S	5/1988 Sharkany et al.
3,763,726 A	10/1973	Hildebrand	D295,894 S	5/1988 Sharkany et al.
3,779,918 A	12/1973	Ikeda et al.	4,753,235 A	6/1988 Hasson
3,798,688 A	3/1974	Wasson	4,754,892 A	7/1988 Retief
3,801,766 A	4/1974	Morrison, Jr.	4,763,669 A	8/1988 Jaeger
3,839,614 A	10/1974	Saganowski et al.	D298,353 S	11/1988 Manno
3,862,630 A	1/1975	Balamuth	4,781,175 A	11/1988 McGreevy et al.
3,863,339 A	2/1975	Reaney et al.	D299,413 S	1/1989 DeCarolus
3,866,610 A	2/1975	Kletschka	4,805,616 A	2/1989 Pao
3,875,945 A	4/1975	Friedman	4,827,927 A	5/1989 Newton
3,897,786 A	8/1975	Garnett et al.	4,827,929 A	5/1989 Hodge
3,911,766 A	10/1975	Fridolph et al.	4,829,313 A	5/1989 Taggart
3,920,021 A	11/1975	Hiltebrandt	4,846,171 A	7/1989 Kauphusman et al.
3,921,641 A	11/1975	Hulka	4,887,612 A	12/1989 Esser et al.
3,938,527 A	2/1976	Rioux et al.	4,890,610 A	1/1990 Kirwan, Sr. et al.
3,952,749 A	4/1976	Fridolph et al.	4,932,952 A *	6/1990 Wojciechowicz, Jr. .... 606/49
3,970,088 A	7/1976	Morrison	4,938,761 A	7/1990 Ensslin
3,987,795 A	10/1976	Morrison	4,947,009 A	8/1990 Osika et al.
4,005,714 A	2/1977	Hiltebrandt	4,973,801 A	11/1990 Frick et al.
4,016,881 A	4/1977	Rioux et al.	4,976,269 A *	12/1990 Mehl ..... 606/170
4,031,898 A	6/1977	Hiltebrandt et al.	4,985,030 A	1/1991 Melzer et al.
4,041,952 A	8/1977	Morrison, Jr. et al.	5,007,908 A	4/1991 Rydell
4,043,342 A	8/1977	Morrison, Jr.	5,019,678 A	5/1991 Templeton et al.
4,074,718 A	2/1978	Morrison, Jr.	5,026,370 A	6/1991 Lottick
4,076,028 A	2/1978	Simmons	5,026,371 A	6/1991 Rydell et al.
4,080,820 A	3/1978	Allen	5,035,695 A	7/1991 Weber, Jr. et al.
4,088,134 A	5/1978	Mazzariello	5,037,433 A	8/1991 Wilk et al.
4,102,471 A	7/1978	Lore et al.	5,042,707 A	8/1991 Taheri
D249,549 S	9/1978	Pike	5,047,046 A	9/1991 Bodoia
4,112,950 A	9/1978	Pike	5,052,402 A	10/1991 Bencini et al.
4,127,222 A	11/1978	Adams	5,078,716 A	1/1992 Doll
4,128,099 A	12/1978	Bauer	5,084,057 A	1/1992 Green et al.
4,165,746 A	8/1979	Burgin	5,085,659 A	2/1992 Rydell
4,187,420 A	2/1980	Piber	5,099,840 A	3/1992 Goble et al.
4,200,104 A	4/1980	Harris	5,100,430 A	3/1992 Avellanet et al.
4,200,105 A	4/1980	Gonser	5,108,392 A	4/1992 Spingler
4,233,734 A	11/1980	Bies	5,112,343 A	5/1992 Thornton
4,236,470 A	12/1980	Stenson	5,116,332 A	5/1992 Lottick
4,274,413 A	6/1981	Hahn et al.	5,122,139 A	6/1992 Sutter
4,300,564 A	11/1981	Furihata	5,144,323 A	9/1992 Yonkers
4,306,561 A	12/1981	de Medinaceli	5,147,357 A	9/1992 Rose et al.
4,311,145 A	1/1982	Esty et al.	5,147,380 A *	9/1992 Hernandez et al. .... 606/207
D263,020 S	2/1982	Rau, III	5,151,102 A	9/1992 Kamiyama et al.
4,315,510 A	2/1982	Kihn	5,151,978 A	9/1992 Bronikowski et al.
D266,842 S	11/1982	Villers et al.	5,158,561 A	10/1992 Rydell et al.
4,363,944 A	12/1982	Poirier	5,169,396 A	12/1992 Dowlatshahi et al.
4,370,980 A	2/1983	Lottick	5,176,695 A	1/1993 Dulebohn
4,375,218 A	3/1983	DiGeronimo	5,190,541 A	3/1993 Abele et al.
4,394,552 A	7/1983	Schlusser	5,196,009 A	3/1993 Kirwan, Jr.
4,416,276 A	11/1983	Newton et al.	5,197,964 A	3/1993 Parins
4,418,692 A	12/1983	Guay	5,209,747 A	5/1993 Knoepfler
4,443,935 A	4/1984	Zamba et al.	5,211,655 A	5/1993 Hasson
4,452,246 A	6/1984	Bader et al.	5,215,101 A	6/1993 Jacobs et al.
4,470,786 A	9/1984	Sano et al.	5,217,457 A	6/1993 Delahuerga et al.
4,492,231 A	1/1985	Auth	5,217,458 A	6/1993 Parins
4,493,320 A	1/1985	Treat	5,217,460 A	6/1993 Knoepfler
4,503,855 A	3/1985	Maslanka	5,219,354 A	6/1993 Choudhury et al.
4,506,669 A	3/1985	Blake, III	5,231,997 A	8/1993 Kikuchi et al.
D278,306 S	4/1985	McIntosh	5,244,462 A	9/1993 Delahuerga et al.
4,509,518 A	4/1985	McGarry et al.	5,250,047 A	10/1993 Rydell
4,513,271 A	4/1985	Reisem	5,250,056 A	10/1993 Hasson
4,535,773 A	8/1985	Yoon	5,250,063 A	10/1993 Abidin et al.
4,552,143 A	11/1985	Lottick	5,254,129 A	10/1993 Alexander
			5,258,001 A	11/1993 Corman

# US D680,220 S

5,258,006	A	11/1993	Rydell et al.	5,429,616	A	7/1995	Schaffer
5,261,918	A	11/1993	Phillips et al.	5,431,672	A	7/1995	Cote et al.
5,267,998	A	12/1993	Hagen	5,431,674	A	7/1995	Basile et al.
5,269,780	A	12/1993	Roos	5,437,277	A	8/1995	Dumoulin et al.
5,269,804	A	12/1993	Bales et al.	5,437,292	A	8/1995	Kipshidze et al.
D343,453	S	1/1994	Noda	5,438,302	A	8/1995	Goble
5,275,615	A	1/1994	Rose	5,439,478	A	8/1995	Palmer
5,277,201	A	1/1994	Stern	5,441,517	A	8/1995	Kensey et al.
5,281,220	A	1/1994	Blake, III	5,443,463	A	8/1995	Stern et al.
5,282,799	A	2/1994	Rydell	5,443,464	A	8/1995	Russell et al.
5,282,800	A	2/1994	Foshee et al.	5,443,479	A	8/1995	Bressi, Jr.
5,282,826	A	2/1994	Quadri	5,443,480	A	8/1995	Jacobs et al.
5,290,286	A	3/1994	Parins	5,445,622	A	8/1995	Brown
5,290,287	A	3/1994	Boebel et al.	5,445,638	A	8/1995	Rydell et al.
5,300,082	A	4/1994	Sharpe et al.	5,445,658	A	8/1995	Durrfeld et al.
5,304,203	A	4/1994	El-Mallawany et al.	5,449,480	A	9/1995	Kuriya et al.
5,308,353	A	5/1994	Beurrier	5,451,224	A	9/1995	Goble et al.
5,308,357	A	5/1994	Lichtman	5,454,739	A	10/1995	Strand
5,312,433	A	5/1994	Boebel et al.	5,454,809	A	10/1995	Janssen
5,313,027	A	5/1994	Inoue et al.	5,454,823	A	10/1995	Richardson et al.
5,314,445	A	5/1994	Degwitz et al.	5,454,827	A	10/1995	Aust et al.
5,314,463	A	5/1994	Camps et al.	5,456,684	A	10/1995	Schmidt et al.
5,318,589	A	6/1994	Lichtman	5,458,598	A	10/1995	Feinberg et al.
5,324,289	A	6/1994	Eggers	5,460,629	A	10/1995	Shlain et al.
D348,930	S	7/1994	Olson	5,461,765	A	10/1995	Linden et al.
5,326,806	A	7/1994	Yokoshima et al.	5,462,546	A	10/1995	Rydell
5,330,471	A	7/1994	Eggers	5,472,442	A	12/1995	Klicek
5,330,502	A	7/1994	Hassler et al.	5,472,443	A	12/1995	Cordis et al.
D349,341	S	8/1994	Lichtman et al.	5,476,479	A	12/1995	Green et al.
5,334,166	A	8/1994	Palestrant	5,478,351	A	12/1995	Meade et al.
5,334,183	A	8/1994	Wuchinich	5,480,406	A	1/1996	Nolan et al.
5,334,215	A	8/1994	Chen	5,480,409	A	1/1996	Riza
5,336,220	A	8/1994	Ryan et al.	5,482,054	A	1/1996	Slater et al.
5,336,221	A	8/1994	Anderson	5,484,436	A	1/1996	Eggers et al.
5,342,359	A	8/1994	Rydell	5,493,899	A	2/1996	Beck et al.
5,342,381	A	8/1994	Tidemand	5,496,312	A	3/1996	Klicek
5,342,393	A	8/1994	Stack	5,496,317	A	3/1996	Goble et al.
5,344,424	A	9/1994	Roberts et al.	5,496,347	A	3/1996	Hashiguchi et al.
5,350,391	A	9/1994	Iacovelli	5,499,997	A	3/1996	Sharpe et al.
5,352,222	A	10/1994	Rydell	5,501,654	A	3/1996	Failla et al.
5,354,271	A	10/1994	Voda	5,509,922	A	4/1996	Aranyi et al.
5,356,408	A	10/1994	Rydell	5,512,721	A	4/1996	Young et al.
5,359,993	A	11/1994	Slater et al.	5,514,134	A	5/1996	Rydell et al.
5,366,476	A	* 11/1994	Noda ..... 606/41	5,520,702	A	5/1996	Sauer et al.
5,366,477	A	11/1994	LeMarie, III et al.	5,527,313	A	6/1996	Scott et al.
5,367,250	A	11/1994	Whisenand	5,528,833	A	6/1996	Sakuma
5,368,600	A	11/1994	Failla et al.	5,529,067	A	6/1996	Larsen et al.
5,374,277	A	12/1994	Hassler	5,531,744	A	7/1996	Nardella et al.
5,376,089	A	12/1994	Smith	5,536,251	A	7/1996	Evard et al.
5,376,094	A	12/1994	Kline	5,540,684	A	7/1996	Hassler, Jr.
D354,218	S	1/1995	Van de Peer	5,540,685	A	7/1996	Parins et al.
D354,564	S	1/1995	Medema	5,540,706	A	7/1996	Aust et al.
5,383,875	A	1/1995	Bays et al.	5,540,715	A	7/1996	Katsaros et al.
5,383,880	A	1/1995	Hooven	5,542,945	A	8/1996	Fritsch
5,383,897	A	1/1995	Wholey	5,549,604	A	8/1996	Sutcu et al.
5,389,098	A	2/1995	Tsuruta et al.	5,554,172	A	9/1996	Horner et al.
5,389,103	A	2/1995	Melzer et al.	5,558,671	A	9/1996	Yates
5,389,104	A	2/1995	Hahnen et al.	5,558,672	A	9/1996	Edwards et al.
5,391,166	A	2/1995	Eggers	5,562,619	A	10/1996	Mirarchi et al.
5,391,183	A	2/1995	Janzen et al.	5,562,699	A	10/1996	Heimberger et al.
5,395,360	A	3/1995	Manoukian	5,562,720	A	10/1996	Stern et al.
5,396,194	A	3/1995	Williamson et al.	5,564,615	A	10/1996	Bishop et al.
5,396,900	A	3/1995	Slater et al.	5,568,859	A	10/1996	Levy et al.
5,397,325	A	3/1995	Della Badia et al.	5,569,241	A	10/1996	Edwards
5,403,312	A	4/1995	Yates et al.	5,569,243	A	10/1996	Kortenbach et al.
5,403,342	A	4/1995	Tovey et al.	5,571,100	A	11/1996	Goble et al.
5,405,344	A	4/1995	Williamson et al.	5,573,424	A	11/1996	Poppe
5,409,763	A	4/1995	Serizawa et al.	5,573,534	A	11/1996	Stone
D358,887	S	5/1995	Feinberg	5,573,535	A	11/1996	Viklund
5,411,519	A	5/1995	Tovey et al.	5,575,799	A	11/1996	Bolanos et al.
5,411,520	A	5/1995	Nash et al.	5,575,805	A	11/1996	Li
5,413,571	A	5/1995	Katsaros et al.	5,578,052	A	11/1996	Koros et al.
5,415,656	A	5/1995	Tihon et al.	5,579,781	A	12/1996	Cooke
5,415,657	A	5/1995	Taymor-Luria	5,582,611	A	12/1996	Tsukagoshi et al.
5,417,709	A	5/1995	Slater	5,582,617	A	12/1996	Klieman et al.
5,422,567	A	6/1995	Matsunaga	5,585,896	A	12/1996	Yamazaki et al.
5,423,810	A	6/1995	Goble et al.	5,590,570	A	1/1997	LeMaire, III et al.
5,425,690	A	6/1995	Chang	5,591,181	A	1/1997	Stone et al.
5,425,739	A	6/1995	Jessen	5,597,107	A	1/1997	Knodel et al.

# US D680,220 S

Page 4

5,599,350	A	2/1997	Schulze et al.	5,779,727	A	7/1998	Orejola
5,601,224	A	2/1997	Bishop et al.	5,781,048	A	7/1998	Nakao et al.
5,601,601	A	2/1997	Tal et al.	H1745	H	8/1998	Paraschac
5,601,641	A	2/1997	Stephens	5,791,231	A	8/1998	Cohn et al.
5,603,711	A	2/1997	Parins et al.	5,792,137	A	8/1998	Carr et al.
5,603,723	A	2/1997	Aranyi et al.	5,792,165	A	8/1998	Klieman et al.
5,607,436	A	3/1997	Pratt et al.	5,792,177	A	8/1998	Kaseda
5,611,798	A	3/1997	Eggers	5,797,537	A	8/1998	Oberlin et al.
5,611,808	A	3/1997	Hossain et al.	5,797,927	A	8/1998	Yoon
5,611,813	A	3/1997	Lichtman	5,797,938	A	8/1998	Paraschac et al.
5,618,294	A	4/1997	Aust et al.	5,797,941	A	8/1998	Schulze et al.
5,618,307	A	4/1997	Donlon et al.	5,797,958	A	8/1998	Yoon
5,620,415	A	4/1997	Lucey et al.	5,797,959	A	8/1998	Castro et al.
5,620,453	A	4/1997	Nallakrishnan	5,800,448	A	9/1998	Banko
5,620,459	A	4/1997	Lichtman	5,800,449	A	9/1998	Wales
5,624,281	A	4/1997	Christensson	5,807,393	A	9/1998	Williamson, IV et al.
5,624,452	A	4/1997	Yates	5,810,764	A	9/1998	Eggers et al.
5,626,578	A	5/1997	Tihon	5,810,805	A	9/1998	Sutcu et al.
5,626,607	A	5/1997	Malecki et al.	5,810,808	A	9/1998	Eggers
5,626,609	A	5/1997	Zvenyatsky et al.	5,810,811	A	9/1998	Yates et al.
5,630,833	A	5/1997	Katsaros et al.	5,810,877	A	9/1998	Roth et al.
5,637,110	A	6/1997	Pennybacker et al.	5,814,043	A	9/1998	Shapeton
5,637,111	A	6/1997	Sutcu et al.	5,814,054	A	9/1998	Kortenbach et al.
5,638,003	A	6/1997	Hall	5,817,083	A	10/1998	Shemesh et al.
5,638,827	A	6/1997	Palmer et al.	5,817,119	A	10/1998	Klieman et al.
5,639,403	A	6/1997	Ida et al.	5,820,630	A	10/1998	Lind
5,643,294	A	7/1997	Tovey et al.	5,824,978	A	10/1998	Karasik et al.
5,647,869	A	7/1997	Goble et al.	5,827,271	A	10/1998	Buysse et al.
5,647,871	A	7/1997	Levine et al.	5,827,274	A	10/1998	Bonnet et al.
5,649,959	A	7/1997	Hannam et al.	5,827,279	A	10/1998	Hughett et al.
5,655,650	A	8/1997	Naitou	5,827,281	A	10/1998	Levin
5,658,281	A	8/1997	Heard	5,827,323	A	10/1998	Klieman et al.
D384,413	S	9/1997	Zlock et al.	5,827,548	A	10/1998	Lavallee et al.
5,662,667	A	9/1997	Knodel	5,830,212	A	11/1998	Cartmell et al.
5,665,100	A	9/1997	Yoon	5,833,690	A	11/1998	Yates et al.
5,667,526	A	9/1997	Levin	5,833,695	A	11/1998	Yoon
5,673,841	A	10/1997	Schulze et al.	5,836,072	A	11/1998	Sullivan et al.
5,674,220	A	10/1997	Fox et al.	D402,028	S	12/1998	Grimm et al.
5,674,229	A	10/1997	Tovey et al.	5,843,080	A	12/1998	Fleenor et al.
5,681,282	A	10/1997	Eggers et al.	5,849,020	A	12/1998	Long et al.
5,688,270	A	11/1997	Yates et al.	5,849,022	A	12/1998	Sakashita et al.
5,690,652	A	11/1997	Wurster et al.	5,851,214	A	12/1998	Larsen et al.
5,690,653	A	11/1997	Richardson et al.	5,853,412	A	12/1998	Mayenberger
5,693,051	A	12/1997	Schulze et al.	5,859,527	A	1/1999	Cook
5,693,920	A	12/1997	Maeda	5,860,976	A	1/1999	Billings et al.
5,695,522	A	12/1997	LeMaire, III et al.	5,865,361	A	2/1999	Milliman et al.
5,700,261	A	12/1997	Brinkerhoff	5,876,401	A	3/1999	Schulze et al.
5,700,270	A	12/1997	Peysen et al.	5,876,410	A	3/1999	Petillo
5,702,390	A	12/1997	Austin et al.	5,876,412	A	3/1999	Piraka
5,707,369	A	1/1998	Vaitekunas et al.	5,882,567	A	3/1999	Cavallaro et al.
5,709,680	A	1/1998	Yates et al.	D408,018	S	4/1999	McNaughton
5,713,895	A	2/1998	Lontine et al.	5,891,141	A	4/1999	Rydell
5,716,366	A	2/1998	Yates	5,891,142	A	4/1999	Eggers et al.
5,720,742	A	2/1998	Zacharias	5,893,848	A	4/1999	Negus et al.
5,720,744	A	2/1998	Eggleston et al.	5,893,863	A	4/1999	Yoon
5,722,421	A	3/1998	Francese et al.	5,893,875	A	4/1999	O'Connor et al.
5,725,536	A	3/1998	Oberlin et al.	5,893,877	A	4/1999	Gampp, Jr. et al.
5,727,428	A	3/1998	LeMaire, III et al.	5,897,563	A	4/1999	Yoon et al.
5,735,848	A	4/1998	Yates et al.	5,902,301	A	5/1999	Olig
5,735,849	A	4/1998	Baden et al.	5,906,630	A	5/1999	Anderhub et al.
5,743,906	A	4/1998	Parins et al.	5,907,140	A	5/1999	Smith
5,752,973	A	5/1998	Kieturakis	5,908,420	A	6/1999	Parins et al.
5,755,717	A	5/1998	Yates et al.	5,908,432	A	6/1999	Pan
5,759,188	A	6/1998	Yoon	5,911,719	A	6/1999	Eggers
5,762,255	A	6/1998	Chrisman et al.	5,913,874	A	6/1999	Berns et al.
5,762,609	A	6/1998	Benaron et al.	5,921,916	A	7/1999	Aeikens et al.
5,766,130	A	6/1998	Selmonosky	5,921,984	A	7/1999	Sutcu et al.
5,766,166	A	6/1998	Hooven	5,925,043	A	7/1999	Kumar et al.
5,766,170	A	6/1998	Eggers	5,928,136	A	7/1999	Barry
5,766,196	A	6/1998	Griffiths	5,935,126	A	8/1999	Riza
5,769,849	A	6/1998	Eggers	5,938,589	A	8/1999	Wako et al.
5,772,655	A	6/1998	Bauer et al.	5,941,869	A	8/1999	Patterson et al.
5,772,670	A	6/1998	Brosa	5,944,562	A	8/1999	Christensson
5,776,128	A	7/1998	Eggers	5,944,718	A	8/1999	Dafforn et al.
5,776,130	A	7/1998	Buysse et al.	5,951,545	A	9/1999	Schilling et al.
5,776,156	A	7/1998	Shikhman	5,951,546	A	9/1999	Lorentzen
5,777,519	A	7/1998	Simopoulos	5,951,549	A	9/1999	Richardson et al.
5,779,646	A	7/1998	Koblish et al.	5,954,720	A	9/1999	Wilson et al.
5,779,701	A	7/1998	McBrayer et al.	5,954,731	A	9/1999	Yoon

# US D680,220 S

5,954,733 A	9/1999	Yoon	6,174,310 B1	1/2001	Kirwan, Jr.
5,957,923 A	9/1999	Hahnen et al.	6,178,628 B1	1/2001	Clemens et al.
5,957,937 A	9/1999	Yoon	6,179,834 B1	1/2001	Buysse et al.
5,960,544 A	10/1999	Beyers	6,179,837 B1	1/2001	Hooven
5,961,514 A	10/1999	Long et al.	6,183,467 B1	2/2001	Shapeton et al.
5,964,758 A	10/1999	Dresden	6,187,003 B1	2/2001	Buysse et al.
5,967,997 A	10/1999	Turturro et al.	6,190,386 B1	2/2001	Rydell
D416,089 S	11/1999	Barton et al.	6,190,399 B1	2/2001	Palmer et al.
5,976,132 A	11/1999	Morris	6,190,400 B1	2/2001	Vandemoer et al.
5,984,932 A	11/1999	Yoon	6,193,709 B1	2/2001	Miyawaki et al.
5,984,938 A	11/1999	Yoon	6,193,718 B1	2/2001	Kortenbach et al.
5,984,939 A	11/1999	Yoon	6,206,876 B1	3/2001	Levine et al.
5,989,277 A	11/1999	LeMaire, III et al.	6,206,877 B1	3/2001	Kese et al.
5,993,466 A	11/1999	Yoon	6,206,893 B1	3/2001	Klein et al.
5,993,467 A	11/1999	Yoon	6,214,028 B1	4/2001	Yoon et al.
5,993,474 A	11/1999	Ouchi	6,217,602 B1	4/2001	Redmon
5,997,565 A	12/1999	Inoue	6,217,615 B1	4/2001	Sioshansi et al.
6,003,517 A	12/1999	Sheffield et al.	6,221,039 B1	4/2001	Durgin et al.
6,004,332 A	12/1999	Yoon et al.	6,223,100 B1	4/2001	Green
6,004,335 A	12/1999	Vaitekunas et al.	6,224,593 B1	5/2001	Ryan et al.
6,010,516 A	1/2000	Hulka	6,224,614 B1	5/2001	Yoon
6,010,519 A	1/2000	Mawhirt et al.	6,228,080 B1	5/2001	Gines
6,017,354 A	1/2000	Culp et al.	6,228,083 B1	5/2001	Lands et al.
6,017,358 A	1/2000	Yoon et al.	6,248,124 B1	6/2001	Pedros et al.
6,021,693 A	2/2000	Feng-Sing	6,248,944 B1	6/2001	Ito
6,024,741 A	2/2000	Williamson et al.	6,249,706 B1	6/2001	Sobota et al.
6,024,743 A	2/2000	Edwards	6,261,307 B1	7/2001	Yoon et al.
6,024,744 A	2/2000	Kese et al.	6,267,758 B1	7/2001	Daw et al.
6,027,522 A	2/2000	Palmer	6,267,761 B1	7/2001	Ryan
6,030,384 A	2/2000	Nezhat	6,270,497 B1	8/2001	Sekino et al.
6,033,399 A	3/2000	Gines	6,270,508 B1	8/2001	Klieman et al.
6,039,733 A	3/2000	Buysse et al.	6,273,887 B1	8/2001	Yamauchi et al.
6,041,679 A	3/2000	Slater et al.	6,277,117 B1	8/2001	Tetzlaff et al.
6,050,995 A	4/2000	Durgin	6,280,458 B1	8/2001	Boche et al.
6,050,996 A	4/2000	Schmaltz et al.	6,283,961 B1	9/2001	Underwood et al.
6,053,914 A	4/2000	Eggers et al.	D449,691 S *	10/2001	Reiley et al. .... D24/147
6,053,933 A	4/2000	Balazs et al.	D449,886 S	10/2001	Tetzlaff et al.
D424,693 S	5/2000	Pruter	6,298,550 B1	10/2001	Kirwan
D424,694 S	5/2000	Tetzlaff et al.	6,302,424 B1	10/2001	Gisinger et al.
D425,201 S	5/2000	Tetzlaff et al.	6,303,166 B1	10/2001	Kolbe et al.
6,056,735 A	5/2000	Okada et al.	6,309,404 B1	10/2001	Krzyzanowski
6,059,782 A	5/2000	Novak et al.	6,319,262 B1	11/2001	Bates et al.
6,063,086 A	5/2000	Benecke et al.	6,319,451 B1	11/2001	Brune
6,063,103 A	5/2000	Hashiguchi	6,322,561 B1	11/2001	Eggers et al.
6,066,137 A	5/2000	Greep	6,322,580 B1	11/2001	Kanner
6,066,139 A	5/2000	Ryan et al.	6,325,795 B1	12/2001	Lindemann et al.
6,071,283 A	6/2000	Nardella et al.	6,329,778 B1	12/2001	Culp et al.
6,074,386 A	6/2000	Goble et al.	6,334,860 B1	1/2002	Dorn
6,077,287 A	6/2000	Taylor et al.	6,334,861 B1	1/2002	Chandler et al.
6,080,180 A	6/2000	Yoon et al.	D453,923 S	2/2002	Olson
RE36,795 E	7/2000	Rydell	6,345,532 B1	2/2002	Coudray et al.
6,083,150 A	7/2000	Aznoian et al.	6,350,264 B1	2/2002	Hooven
6,083,223 A	7/2000	Baker	D454,951 S	3/2002	Bon
6,086,586 A	7/2000	Hooven	6,352,536 B1	3/2002	Buysse et al.
6,086,601 A	7/2000	Yoon	6,358,249 B1	3/2002	Chen et al.
6,090,107 A	7/2000	Borgmeier et al.	6,358,259 B1	3/2002	Swain et al.
6,090,123 A	7/2000	Culp et al.	6,358,268 B1	3/2002	Hunt et al.
6,096,037 A	8/2000	Mulier et al.	6,361,534 B1	3/2002	Chen et al.
6,099,537 A	8/2000	Sugai et al.	6,364,876 B1	4/2002	Erb et al.
6,099,550 A	8/2000	Yoon	6,364,879 B1	4/2002	Chen et al.
6,102,909 A	8/2000	Chen et al.	D457,958 S	5/2002	Dycus et al.
6,106,542 A	8/2000	Toybin et al.	D457,959 S	5/2002	Tetzlaff et al.
6,110,171 A	8/2000	Rydell	6,385,265 B1	5/2002	Duffy et al.
6,113,596 A	9/2000	Hooven et al.	6,387,094 B1	5/2002	Eitenmuller
6,113,598 A	9/2000	Baker	6,391,035 B1	5/2002	Appleby et al.
6,117,158 A	9/2000	Measamer et al.	6,398,779 B1	6/2002	Buysse et al.
6,122,549 A	9/2000	Sharkey et al.	6,402,747 B1	6/2002	Lindemann et al.
6,123,701 A	9/2000	Nezhat	6,409,728 B1	6/2002	Ehr et al.
H1904 H	10/2000	Yates et al.	H2037 H	7/2002	Yates et al.
6,126,658 A	10/2000	Baker	6,419,675 B1	7/2002	Gallo, Sr.
6,126,665 A	10/2000	Yoon	6,425,896 B1	7/2002	Baltschun et al.
6,139,563 A	10/2000	Cosgrove, III et al.	6,432,112 B2	8/2002	Brock et al.
6,143,005 A	11/2000	Yoon et al.	6,440,130 B1	8/2002	Mulier et al.
6,152,923 A	11/2000	Ryan	6,440,144 B1	8/2002	Bacher
6,152,924 A	11/2000	Parins	6,443,952 B1	9/2002	Mulier et al.
6,159,217 A	12/2000	Robie et al.	6,443,970 B1	9/2002	Schulze et al.
6,162,220 A	12/2000	Nezhat	6,451,018 B1	9/2002	Lands et al.
6,171,316 B1	1/2001	Kovac et al.	6,458,125 B1	10/2002	Cosmescu
6,174,309 B1	1/2001	Wrublewski et al.	6,458,128 B1	10/2002	Schulze

# US D680,220 S

Page 6

6,458,129	B2	10/2002	Scarfi	6,733,498	B2	5/2004	Paton et al.
6,458,130	B1	10/2002	Frazier et al.	6,733,501	B2	5/2004	Levine
6,461,352	B2	10/2002	Morgan et al.	6,736,813	B2	5/2004	Yamauchi et al.
6,461,368	B2	10/2002	Fogarty et al.	6,743,229	B2	6/2004	Buysse et al.
6,464,701	B1	10/2002	Hooven et al.	6,743,230	B2	6/2004	Lutze et al.
6,464,702	B2	10/2002	Schulze et al.	6,743,239	B1	6/2004	Kuehn et al.
6,464,704	B2	10/2002	Schmaltz et al.	6,743,240	B2	6/2004	Smith et al.
6,471,696	B1	10/2002	Berube et al.	6,755,338	B2	6/2004	Hahnen et al.
D465,281	S	11/2002	Lang	6,755,824	B2	6/2004	Jain et al.
D466,209	S	11/2002	Bon	6,755,843	B2	6/2004	Chung et al.
6,485,489	B2	11/2002	Teirstein et al.	6,756,553	B1	6/2004	Yamaguchi et al.
6,488,680	B1	12/2002	Francischelli et al.	6,757,977	B2	7/2004	Dambal et al.
6,494,882	B1	12/2002	Lebouitz et al.	6,758,846	B2	7/2004	Goble et al.
6,494,888	B1	12/2002	Laufer et al.	D493,888	S	8/2004	Reschke
6,500,176	B1	12/2002	Truckai et al.	6,770,072	B1	8/2004	Truckai et al.
6,506,196	B1	1/2003	Laufer	6,773,409	B2	8/2004	Truckai et al.
6,508,815	B1	1/2003	Strul et al.	6,773,432	B1	8/2004	Clayman et al.
6,511,480	B1	1/2003	Tetzlaff et al.	6,773,434	B2	8/2004	Ciarrocca
6,514,215	B1	2/2003	Ouchi	6,773,435	B2	8/2004	Schulze et al.
6,514,252	B2	2/2003	Nezhat et al.	6,773,441	B1	8/2004	Laufer et al.
6,517,536	B2	2/2003	Hooven et al.	6,775,575	B2	8/2004	Bommannan et al.
6,517,539	B1	2/2003	Smith et al.	6,776,780	B2	8/2004	Mulier et al.
6,527,771	B1	3/2003	Weadock et al.	6,780,181	B2	8/2004	Kroll et al.
6,533,784	B2	3/2003	Truckai et al.	6,784,405	B2	8/2004	Flugstad et al.
6,537,272	B2	3/2003	Christopherson et al.	6,786,905	B2	9/2004	Swanson et al.
6,540,745	B1	4/2003	Fairbourn et al.	6,790,217	B2	9/2004	Schulze et al.
6,545,239	B2	4/2003	Spedale et al.	6,796,981	B2	9/2004	Wham et al.
6,554,829	B2	4/2003	Schulze et al.	D496,997	S	10/2004	Dycus et al.
6,554,844	B2	4/2003	Lee et al.	6,800,825	B1	10/2004	Sasaki et al.
6,558,385	B1	5/2003	McClurken et al.	6,802,843	B2	10/2004	Truckai et al.
6,562,037	B2	5/2003	Paton et al.	6,808,525	B2	10/2004	Latterell et al.
6,569,105	B1	5/2003	Kortenbach et al.	D499,181	S	11/2004	Dycus et al.
6,582,450	B2	6/2003	Ouchi	6,818,000	B2	11/2004	Muller et al.
6,585,735	B1	7/2003	Frazier et al.	6,818,007	B1	11/2004	Dampney et al.
6,602,252	B2	8/2003	Mollenauer	6,821,273	B2	11/2004	Mollenauer
6,605,790	B2	8/2003	Yoshida	6,821,285	B2	11/2004	Laufer et al.
6,610,060	B2	8/2003	Mulier et al.	6,824,547	B2	11/2004	Wilson, Jr. et al.
6,613,048	B2	9/2003	Mulier et al.	6,830,174	B2	12/2004	Hillstead et al.
6,616,654	B2	9/2003	Mollenauer	6,835,200	B2	12/2004	Laufer et al.
6,616,658	B2	9/2003	Ineson	6,843,789	B2	1/2005	Goble
6,616,661	B2	9/2003	Wellman et al.	6,857,357	B2	2/2005	Fujii
6,620,161	B2	9/2003	Schulze et al.	6,858,028	B2	2/2005	Mulier et al.
6,620,184	B2	9/2003	de Laforcade et al.	D502,994	S	3/2005	Blake, III
6,623,482	B2	9/2003	Pendekanti et al.	6,860,880	B2	3/2005	Treat et al.
6,626,901	B1	9/2003	Treat et al.	6,878,147	B2	4/2005	Prakash et al.
6,629,534	B1	10/2003	St. Goar et al.	6,887,240	B1	5/2005	Lands et al.
6,638,287	B2	10/2003	Danitz et al.	6,889,116	B2	5/2005	Jinno
6,641,595	B1	11/2003	Moran et al.	6,905,497	B2	6/2005	Truckai et al.
6,652,514	B2	11/2003	Ellman et al.	6,908,463	B2	6/2005	Treat et al.
6,652,518	B2	11/2003	Wellmann et al.	6,914,201	B2	7/2005	Van Vooren et al.
6,652,521	B2	11/2003	Schulze	6,926,716	B2	8/2005	Baker et al.
6,656,173	B1	12/2003	Palermo	6,929,644	B2	8/2005	Truckai et al.
6,656,175	B2	12/2003	Francischelli et al.	6,932,810	B2	8/2005	Ryan
6,656,177	B2	12/2003	Truckai et al.	6,932,816	B2	8/2005	Phan
6,660,072	B2	12/2003	Chatterjee	6,934,134	B2	8/2005	Mori et al.
6,663,639	B1	12/2003	Laufer et al.	6,936,061	B2	8/2005	Sasaki
6,663,641	B1	12/2003	Kovac et al.	D509,297	S	9/2005	Wells
6,666,854	B1	12/2003	Lange	6,942,662	B2	9/2005	Goble et al.
6,666,862	B2	12/2003	Jain et al.	6,943,311	B2	9/2005	Miyako
6,669,696	B2	12/2003	Bacher et al.	6,951,559	B1	10/2005	Greep
6,673,092	B1	1/2004	Bacher	6,953,430	B2	10/2005	Kodooka
6,676,660	B2	1/2004	Wampler et al.	6,953,461	B2	10/2005	McClurken et al.
6,676,676	B2	1/2004	Danitz et al.	6,958,070	B2	10/2005	Witt et al.
6,679,882	B1	1/2004	Kornerup	6,960,210	B2	11/2005	Lands et al.
6,682,527	B2	1/2004	Strul	6,964,662	B2	11/2005	Kidooka
6,682,528	B2	1/2004	Frazier et al.	6,966,907	B2	11/2005	Goble
D487,039	S	2/2004	Webster et al.	6,972,017	B2	12/2005	Smith et al.
6,685,704	B2	2/2004	Greep	6,974,452	B1	12/2005	Gille et al.
6,685,724	B1	2/2004	Haluck	6,976,492	B2	12/2005	Ingle et al.
6,689,131	B2	2/2004	McClurken	6,976,992	B2	12/2005	Sachatello et al.
6,692,445	B2	2/2004	Roberts et al.	6,977,495	B2	12/2005	Donofrio
6,693,246	B1	2/2004	Rudolph et al.	6,979,786	B2	12/2005	Auckland et al.
6,695,840	B2	2/2004	Schulze	6,981,628	B2	1/2006	Wales
6,702,810	B2	3/2004	McClurken et al.	6,987,244	B2	1/2006	Bauer
6,709,445	B2	3/2004	Boebel et al.	6,989,010	B2	1/2006	Francischelli et al.
6,723,092	B2	4/2004	Brown et al.	6,989,017	B2	1/2006	Howell et al.
6,726,068	B2	4/2004	Miller	6,994,707	B2	2/2006	Ellman et al.
6,726,686	B2	4/2004	Buysse et al.	6,994,709	B2	2/2006	Iida
6,726,694	B2	4/2004	Blatter et al.	6,997,931	B2	2/2006	Sauer et al.

# US D680,220 S

7,001,381 B2	2/2006	Harano et al.	7,244,257 B2	7/2007	Podjahsky et al.
7,001,408 B2	2/2006	Knodel et al.	7,246,734 B2	7/2007	Shelton, IV
7,011,657 B2	3/2006	Truckai et al.	7,248,944 B2	7/2007	Green
7,025,763 B2	4/2006	Karasawa et al.	7,252,667 B2	8/2007	Moses et al.
7,033,354 B2	4/2006	Keppel	7,254,433 B2	8/2007	Diab et al.
7,033,356 B2	4/2006	Latterell et al.	7,255,697 B2	8/2007	Dycus et al.
7,041,102 B2	5/2006	Truckai et al.	7,258,688 B1	8/2007	Shah et al.
7,044,948 B2	5/2006	Keppel	7,267,677 B2	9/2007	Johnson et al.
7,052,489 B2	5/2006	Griego et al.	7,270,660 B2	9/2007	Ryan
7,052,496 B2	5/2006	Yamauchi	7,270,664 B2	9/2007	Johnson et al.
7,063,699 B2	6/2006	Hess et al.	7,276,068 B2	10/2007	Johnson et al.
7,063,715 B2	6/2006	Onuki et al.	7,288,103 B2	10/2007	Suzuki
D525,361 S	7/2006	Hushka	7,291,161 B2	11/2007	Hooven
7,070,597 B2	7/2006	Truckai et al.	7,300,435 B2	11/2007	Wham et al.
7,083,480 B2	8/2006	Silber	7,303,557 B2	12/2007	Wham et al.
7,083,618 B2	8/2006	Couture et al.	7,311,709 B2	12/2007	Truckai et al.
7,083,619 B2	8/2006	Truckai et al.	7,314,471 B2	1/2008	Holman
7,083,620 B2	8/2006	Jahns et al.	7,318,823 B2	1/2008	Sharps et al.
7,087,051 B2	8/2006	Bourne et al.	7,326,202 B2	2/2008	McGaffigan
7,087,054 B2	8/2006	Truckai et al.	7,329,256 B2	2/2008	Johnson et al.
7,090,673 B2	8/2006	Dycus et al.	7,329,257 B2	2/2008	Kanehira et al.
7,090,689 B2	8/2006	Nagase et al.	D564,662 S	3/2008	Moses et al.
7,101,371 B2	9/2006	Dycus et al.	7,338,526 B2	3/2008	Steinberg
7,101,372 B2	9/2006	Dycus et al.	7,342,754 B2	3/2008	Fitzgerald et al.
7,101,373 B2	9/2006	Dycus et al.	7,344,268 B2	3/2008	Jhigamian
7,103,947 B2	9/2006	Sartor et al.	7,347,864 B2	3/2008	Vargas
7,107,124 B2	9/2006	Green	D567,943 S	4/2008	Moses et al.
7,108,694 B2	9/2006	Miura et al.	7,354,440 B2	4/2008	Truckal et al.
7,112,199 B2	9/2006	Cosmescu	7,361,172 B2	4/2008	Cimino
7,112,201 B2	9/2006	Truckai et al.	7,367,976 B2	5/2008	Lawes et al.
D531,311 S	10/2006	Guerra et al.	7,377,920 B2	5/2008	Buyse et al.
7,115,123 B2	10/2006	Knowlton et al.	7,384,420 B2	6/2008	Dycus et al.
7,115,139 B2	10/2006	McClurken et al.	7,384,421 B2	6/2008	Hushka
7,118,570 B2	10/2006	Tetzlaff et al.	7,396,265 B2	7/2008	Darley et al.
7,118,587 B2	10/2006	Dycus et al.	7,396,336 B2	7/2008	Orszulak et al.
7,131,860 B2	11/2006	Sartor et al.	7,396,356 B2	7/2008	Mollenauer
7,131,970 B2	11/2006	Moses et al.	D575,395 S	8/2008	Hushka
7,131,971 B2	11/2006	Dycus et al.	D575,401 S	8/2008	Hixson et al.
7,135,018 B2	11/2006	Ryan et al.	D576,728 S *	9/2008	Yates ..... D24/144
7,135,020 B2	11/2006	Lawes et al.	D576,932 S	9/2008	Strehler
7,137,980 B2	11/2006	Buyse et al.	7,422,592 B2	9/2008	Morley et al.
D533,274 S	12/2006	Visconti et al.	7,425,835 B2	9/2008	Eisele
D533,942 S	12/2006	Kerr et al.	7,431,721 B2	10/2008	Paton et al.
7,145,757 B2	12/2006	Shea et al.	7,435,249 B2	10/2008	Buyse et al.
7,147,632 B2	12/2006	Prakash et al.	7,438,714 B2	10/2008	Phan
7,147,638 B2	12/2006	Chapman et al.	7,442,193 B2	10/2008	Shields et al.
7,150,097 B2	12/2006	Sremcich et al.	7,442,194 B2	10/2008	Dumbauld et al.
7,150,749 B2	12/2006	Dycus et al.	7,445,621 B2	11/2008	Dumbauld et al.
7,153,314 B2	12/2006	Laufer et al.	D582,038 S	12/2008	Swoyer et al.
D535,027 S	1/2007	James et al.	7,458,972 B2	12/2008	Keppel
7,156,842 B2	1/2007	Sartor et al.	7,473,253 B2	1/2009	Dycus et al.
7,156,846 B2	1/2007	Dycus et al.	7,481,810 B2	1/2009	Dumbauld et al.
7,160,298 B2	1/2007	Lawes et al.	7,487,780 B2	2/2009	Hooven
7,160,299 B2	1/2007	Baily	7,491,201 B2	2/2009	Shields et al.
7,166,106 B2	1/2007	Bartel et al.	7,491,202 B2	2/2009	Odom et al.
7,169,145 B2	1/2007	Isaacson et al.	7,500,975 B2	3/2009	Cunningham et al.
7,169,146 B2	1/2007	Truckai et al.	7,503,474 B2	3/2009	Hillstead et al.
7,179,255 B2	2/2007	Lettice et al.	7,510,556 B2	3/2009	Nguyen et al.
7,179,258 B2	2/2007	Buyse et al.	7,513,898 B2	4/2009	Johnson et al.
7,184,820 B2	2/2007	Jersey-Willuhn et al.	7,517,351 B2	4/2009	Culp et al.
D538,932 S	3/2007	Malik	D594,736 S	6/2009	Esjunin
7,189,233 B2	3/2007	Truckai et al.	D594,737 S	6/2009	Kelly et al.
7,195,631 B2	3/2007	Dumbauld	7,540,872 B2	6/2009	Schechter et al.
D541,418 S	4/2007	Schechter et al.	7,549,995 B2	6/2009	Schultz
7,204,832 B2	4/2007	Altshuler et al.	7,553,312 B2	6/2009	Tetzlaff et al.
7,204,835 B2	4/2007	Latterell et al.	7,553,686 B2	6/2009	George et al.
7,207,990 B2	4/2007	Lands et al.	7,569,626 B2	8/2009	Truckai
7,208,005 B2	4/2007	Freckner et al.	7,582,087 B2	9/2009	Tetzlaff et al.
D541,611 S	5/2007	Aglassinger	7,588,565 B2	9/2009	Marchitto et al.
D541,938 S	5/2007	Kerr et al.	7,594,313 B2	9/2009	Prakash et al.
7,211,084 B2	5/2007	Goble et al.	7,594,916 B2	9/2009	Weinberg
7,223,264 B2	5/2007	Daniel et al.	7,597,693 B2	10/2009	Garrison
7,223,265 B2	5/2007	Keppel	7,621,910 B2	11/2009	Sugi
D545,432 S	6/2007	Watanabe	7,624,186 B2	11/2009	Tanida
7,232,440 B2	6/2007	Dumbauld et al.	D605,288 S *	12/2009	Brostoff et al. .... D24/133
D547,154 S	7/2007	Lee	D606,203 S	12/2009	Husheer et al.
7,238,184 B2	7/2007	Megerman et al.	7,625,370 B2	12/2009	Hart et al.
7,241,288 B2	7/2007	Braun	7,628,791 B2	12/2009	Garrison et al.
7,241,296 B2	7/2007	Buyse et al.	7,628,792 B2	12/2009	Guerra

## US D680,220 S

Page 8

7,637,409 B2	12/2009	Marczyk	7,951,150 B2	5/2011	Johnson et al.
7,641,653 B2	1/2010	Dalla Betta et al.	7,955,326 B2	6/2011	Paul et al.
7,651,493 B2	1/2010	Arts et al.	7,955,327 B2	6/2011	Sartor et al.
7,651,494 B2	1/2010	McClurken et al.	7,955,331 B2	6/2011	Truckai et al.
7,655,004 B2	2/2010	Long	7,955,332 B2	6/2011	Arts et al.
7,655,007 B2	2/2010	Baily	7,963,965 B2	6/2011	Buysse et al.
7,668,597 B2	2/2010	Engmark et al.	7,967,839 B2	6/2011	Flock et al.
7,678,111 B2	3/2010	Mulier et al.	7,972,328 B2	7/2011	Wham et al.
7,686,804 B2	3/2010	Johnson et al.	7,972,331 B2	7/2011	Hafner
7,686,827 B2	3/2010	Hushka	7,976,544 B2	7/2011	McClurken et al.
D613,412 S	4/2010	DeCarlo	7,981,113 B2	7/2011	Truckai et al.
7,708,735 B2	5/2010	Chapman et al.	7,988,507 B2	8/2011	Darley et al.
7,717,115 B2	5/2010	Barrett et al.	7,998,095 B2	8/2011	McAuley
7,717,904 B2	5/2010	Suzuki et al.	8,012,150 B2	9/2011	Wham et al.
7,717,914 B2	5/2010	Kimura	8,016,827 B2	9/2011	Chojin
7,717,915 B2	5/2010	Miyazawa	8,034,049 B2	10/2011	Odom et al.
7,722,607 B2	5/2010	Dumbauld et al.	D649,249 S	11/2011	Guerra
D617,900 S	6/2010	Kingsley et al.	D649,643 S	11/2011	Allen, IV et al.
D617,901 S	6/2010	Unger et al.	8,048,074 B2	11/2011	Masuda
D617,902 S	6/2010	Twomey et al.	8,070,746 B2	12/2011	Orton et al.
D617,903 S	6/2010	Unger et al.	8,070,748 B2	12/2011	Hixson et al.
D618,798 S	6/2010	Olson et al.	8,075,580 B2	12/2011	Makower
7,727,231 B2	6/2010	Swanson	8,089,417 B2	1/2012	Popovic et al.
7,731,717 B2	6/2010	Odom et al.	8,092,451 B2	1/2012	Schechter et al.
7,736,374 B2	6/2010	Vaughan et al.	8,104,956 B2	1/2012	Blaha
7,744,615 B2	6/2010	Couture	8,112,871 B2	2/2012	Brandt et al.
7,749,217 B2	7/2010	Podhajsky	8,114,122 B2	2/2012	Nau, Jr.
7,753,908 B2	7/2010	Swanson	8,123,743 B2	2/2012	Arts et al.
7,753,909 B2	7/2010	Chapman et al.	8,128,624 B2	3/2012	Couture et al.
D621,503 S	8/2010	Otten et al.	8,128,625 B2	3/2012	Odom
7,766,910 B2	8/2010	Hixson et al.	8,133,224 B2	3/2012	Geiselhart
7,771,425 B2	8/2010	Dycus et al.	8,133,254 B2	3/2012	Dumbauld et al.
7,776,036 B2	8/2010	Schechter et al.	8,142,425 B2	3/2012	Eggers
7,776,037 B2	8/2010	Odom	8,142,473 B2	3/2012	Cunningham
7,780,662 B2	8/2010	Bahney	8,147,485 B2	4/2012	Wham et al.
7,780,663 B2	8/2010	Yates et al.	8,147,489 B2	4/2012	Moses et al.
7,789,878 B2	9/2010	Dumbauld et al.	8,157,145 B2	4/2012	Shelton, IV et al.
7,799,026 B2	9/2010	Schechter et al.	8,161,977 B2	4/2012	Shelton, IV et al.
7,799,028 B2	9/2010	Schechter et al.	8,162,940 B2	4/2012	Johnson et al.
7,806,892 B2	10/2010	Makin et al.	8,162,965 B2	4/2012	Reschke et al.
7,811,283 B2	10/2010	Moses et al.	8,162,973 B2	4/2012	Cunningham
7,819,872 B2	10/2010	Johnson et al.	8,177,794 B2	5/2012	Cabrera et al.
D627,462 S	11/2010	Kingsley	8,181,649 B2	5/2012	Brunner
D628,289 S	11/2010	Romero	8,182,476 B2	5/2012	Julian et al.
D628,290 S	11/2010	Romero	8,187,273 B2	5/2012	Kerr et al.
7,828,798 B2	11/2010	Buysse et al.	D661,394 S	6/2012	Romero et al.
7,832,408 B2	11/2010	Shelton, IV et al.	8,192,433 B2	6/2012	Johnson et al.
7,837,685 B2	11/2010	Weinberg et al.	8,192,444 B2	6/2012	Dycus
7,839,674 B2	11/2010	Lowrey et al.	8,197,479 B2	6/2012	Olson et al.
7,842,033 B2	11/2010	Isaacson et al.	8,197,633 B2	6/2012	Guerra
7,846,158 B2	12/2010	Podhajsky	8,207,651 B2	6/2012	Gilbert
7,846,161 B2	12/2010	Dumbauld et al.	8,211,105 B2	7/2012	Buysse et al.
7,857,812 B2	12/2010	Dycus et al.	8,215,182 B2	7/2012	Artale et al.
D630,324 S	1/2011	Reschke	8,216,223 B2	7/2012	Wham et al.
7,877,852 B2	2/2011	Unger et al.	8,221,416 B2	7/2012	Townsend
7,877,853 B2	2/2011	Unger et al.	8,226,650 B2	7/2012	Kerr
7,879,035 B2	2/2011	Garrison et al.	8,235,992 B2	8/2012	Guerra et al.
7,887,535 B2	2/2011	Lands et al.	8,235,993 B2	8/2012	Hushka et al.
7,887,536 B2	2/2011	Johnson et al.	8,236,025 B2	8/2012	Hushka et al.
D634,010 S	3/2011	DeCarlo	8,241,282 B2	8/2012	Unger et al.
7,896,878 B2	3/2011	Johnson et al.	8,241,283 B2	8/2012	Guerra et al.
7,898,288 B2	3/2011	Wong	8,241,284 B2	8/2012	Dycus et al.
7,900,805 B2	3/2011	Shelton, IV et al.	8,246,618 B2	8/2012	Bucciaglia et al.
7,901,400 B2	3/2011	Wham et al.	8,251,994 B2	8/2012	McKenna et al.
7,905,380 B2	3/2011	Shelton, IV et al.	8,251,996 B2	8/2012	Hushka et al.
7,905,881 B2	3/2011	Masuda et al.	8,257,352 B2	9/2012	Lawes et al.
7,909,820 B2	3/2011	Lipson et al.	8,257,387 B2	9/2012	Cunningham
7,909,823 B2	3/2011	Moses et al.	2002/0029036 A1	3/2002	Goble et al.
7,909,824 B2	3/2011	Masuda et al.	2002/0107517 A1	8/2002	Witt et al.
7,918,848 B2	4/2011	Lau et al.	2002/0111624 A1	8/2002	Witt et al.
7,922,718 B2	4/2011	Moses et al.	2002/0165469 A1	11/2002	Murakami
7,922,742 B2	4/2011	Hillstead et al.	2003/0014052 A1	1/2003	Buysse et al.
7,922,953 B2	4/2011	Guerra	2003/0014053 A1	1/2003	Nguyen et al.
7,931,649 B2	4/2011	Couture et al.	2003/0018332 A1	1/2003	Schmaltz et al.
7,935,052 B2	5/2011	Dumbauld	2003/0069570 A1	4/2003	Witzel et al.
7,945,332 B2	5/2011	Schechter	2003/0109875 A1	6/2003	Tetzlaff et al.
7,947,041 B2	5/2011	Tetzlaff et al.	2003/0114851 A1	6/2003	Truckai et al.
7,949,407 B2	5/2011	Kaplan et al.	2003/0130653 A1	7/2003	Sixto, Jr. et al.
7,951,149 B2	5/2011	Carlton	2003/0139741 A1	7/2003	Goble et al.



# US D680,220 S

Page 9

2003/0158548	A1	8/2003	Phan et al.	2009/0043304	A1	2/2009	Tetzlaff et al.
2003/0171747	A1	9/2003	Kanehira et al.	2009/0048596	A1	2/2009	Shields et al.
2003/0181898	A1	9/2003	Bowers	2009/0054894	A1	2/2009	Yachi
2003/0181910	A1	9/2003	Dyc et al.	2009/0062794	A1	3/2009	Buysse et al.
2003/0191396	A1	10/2003	Sanghvi et al.	2009/0065565	A1	3/2009	Cao
2003/0216732	A1	11/2003	Truckai et al.	2009/0076506	A1	3/2009	Baker
2003/0229344	A1	12/2003	Dyc et al.	2009/0082766	A1	3/2009	Unger et al.
2003/0236325	A1	12/2003	Bonora	2009/0088739	A1	4/2009	Hushka et al.
2004/0030330	A1	2/2004	Brassell et al.	2009/0088745	A1	4/2009	Hushka et al.
2004/0064151	A1	4/2004	Mollenauer	2009/0088746	A1	4/2009	Hushka et al.
2004/0115296	A1	6/2004	Duffin	2009/0088748	A1	4/2009	Guerra et al.
2004/0176779	A1	9/2004	Casutt et al.	2009/0088750	A1	4/2009	Hushka et al.
2004/0199181	A1	10/2004	Knodel et al.	2009/0105750	A1	4/2009	Price et al.
2004/0224590	A1	11/2004	Rawa et al.	2009/0112206	A1	4/2009	Dumbauld et al.
2004/0236326	A1	11/2004	Schulze et al.	2009/0112229	A1	4/2009	Omori et al.
2004/0249374	A1	12/2004	Tetzlaff et al.	2009/0131934	A1	5/2009	Odom et al.
2004/0260281	A1	12/2004	Baxter, III et al.	2009/0138003	A1	5/2009	Deville et al.
2005/0004569	A1	1/2005	Witt et al.	2009/0138006	A1	5/2009	Bales et al.
2005/0033278	A1	2/2005	McClurken et al.	2009/0149853	A1	6/2009	Shields et al.
2005/0059858	A1	3/2005	Frith et al.	2009/0149854	A1	6/2009	Cunningham et al.
2005/0059934	A1	3/2005	Wenchell et al.	2009/0157071	A1	6/2009	Wham et al.
2005/0090817	A1	4/2005	Phan	2009/0171354	A1	7/2009	Deville et al.
2005/0096645	A1	5/2005	Wellman et al.	2009/0177094	A1	7/2009	Brown et al.
2005/0149017	A1	7/2005	Dycus	2009/0182327	A1	7/2009	Unger
2005/0222560	A1	10/2005	Kimura et al.	2009/0187188	A1	7/2009	Guerra et al.
2005/0254081	A1	11/2005	Ryu et al.	2009/0198233	A1	8/2009	Chojin
2005/0261588	A1	11/2005	Makin et al.	2009/0204114	A1	8/2009	Odom
2005/0283148	A1	12/2005	Janssen et al.	2009/0204137	A1	8/2009	Maxwell
2006/0052779	A1	3/2006	Hammill	2009/0206126	A1	8/2009	Huitema et al.
2006/0064086	A1	3/2006	Odom	2009/0209957	A1	8/2009	Schmaltz et al.
2006/0079933	A1	4/2006	Hushka et al.	2009/0209960	A1	8/2009	Chojin
2006/0084973	A1	4/2006	Hushka	2009/0234354	A1	9/2009	Johnson et al.
2006/0111711	A1	5/2006	Goble	2009/0248007	A1	10/2009	Falkenstein et al.
2006/0173452	A1	8/2006	Buysse et al.	2009/0248013	A1	10/2009	Falkenstein et al.
2006/0190035	A1	8/2006	Hushka et al.	2009/0248019	A1	10/2009	Falkenstein et al.
2006/0224053	A1	10/2006	Black et al.	2009/0248020	A1	10/2009	Falkenstein et al.
2006/0253126	A1	11/2006	Bjerken et al.	2009/0248021	A1	10/2009	McKenna
2006/0259036	A1	11/2006	Tetzlaff et al.	2009/0248022	A1	10/2009	Falkenstein et al.
2006/0264922	A1	11/2006	Sartor et al.	2009/0248050	A1	10/2009	Hirai
2006/0271030	A1	11/2006	Francis et al.	2009/0254080	A1	10/2009	Honda
2006/0283093	A1	12/2006	Petrovic et al.	2009/0254081	A1	10/2009	Allison et al.
2006/0287641	A1	12/2006	Perlin	2009/0261804	A1	10/2009	McKenna et al.
2007/0027447	A1	2/2007	Theroux et al.	2009/0270771	A1	10/2009	Takahashi
2007/0043353	A1	2/2007	Dycus et al.	2009/0275865	A1	11/2009	Zhao et al.
2007/0062017	A1	3/2007	Dycus et al.	2009/0292282	A9	11/2009	Dycus
2007/0118115	A1	5/2007	Artale et al.	2009/0299364	A1	12/2009	Batchelor et al.
2007/0173811	A1	7/2007	Couture et al.	2009/0312273	A1	12/2009	De La Torre
2007/0173813	A1	7/2007	Odom	2009/0318912	A1	12/2009	Mayer et al.
2007/0198011	A1	8/2007	Sugita	2010/0016857	A1	1/2010	McKenna et al.
2007/0225695	A1	9/2007	Mayer et al.	2010/0023009	A1	1/2010	Moses et al.
2007/0260238	A1	11/2007	Guerra	2010/0036375	A1	2/2010	Regadas
2007/0260242	A1	11/2007	Dycus et al.	2010/0042143	A1	2/2010	Cunningham
2007/0265616	A1	11/2007	Couture et al.	2010/0049187	A1	2/2010	Carlton et al.
2007/0265620	A1	11/2007	Kraas et al.	2010/0049194	A1	2/2010	Hart et al.
2008/0004616	A1	1/2008	Patrick	2010/0057078	A1	3/2010	Arts et al.
2008/0015563	A1	1/2008	Hoey et al.	2010/0057081	A1	3/2010	Hanna
2008/0015575	A1	1/2008	Odom et al.	2010/0057082	A1	3/2010	Hanna
2008/0033428	A1	2/2008	Artale et al.	2010/0057083	A1	3/2010	Hanna
2008/0046122	A1	2/2008	Manzo et al.	2010/0057084	A1	3/2010	Hanna
2008/0058802	A1	3/2008	Couture et al.	2010/0063500	A1	3/2010	Muszala
2008/0125797	A1	5/2008	Kelleher	2010/0069903	A1	3/2010	Allen, IV et al.
2008/0171938	A1	7/2008	Masuda et al.	2010/0069904	A1	3/2010	Cunningham
2008/0172051	A1	7/2008	Masuda et al.	2010/0069953	A1	3/2010	Cunningham et al.
2008/0215050	A1	9/2008	Bakos	2010/0076427	A1	3/2010	Heard
2008/0234672	A1	9/2008	Bastian	2010/0076430	A1	3/2010	Romero
2008/0234701	A1	9/2008	Morales et al.	2010/0076431	A1	3/2010	Allen, IV
2008/0243106	A1	10/2008	Coe et al.	2010/0076432	A1	3/2010	Horner
2008/0243120	A1	10/2008	Lawes et al.	2010/0087816	A1	4/2010	Roy
2008/0243158	A1	10/2008	Morgan	2010/0094271	A1	4/2010	Ward et al.
2008/0249523	A1	10/2008	McPherson et al.	2010/0094287	A1	4/2010	Cunningham et al.
2008/0249527	A1	10/2008	Couture	2010/0094289	A1	4/2010	Taylor et al.
2008/0271360	A1	11/2008	Barfield	2010/0100122	A1	4/2010	Hinton
2008/0281311	A1	11/2008	Dunning et al.	2010/0130971	A1	5/2010	Baily
2008/0319292	A1	12/2008	Say et al.	2010/0130977	A1	5/2010	Garrison et al.
2009/0012520	A1	1/2009	Hixson et al.	2010/0168741	A1	7/2010	Sanai et al.
2009/0012556	A1	1/2009	Boudreaux et al.	2010/0179543	A1	7/2010	Johnson et al.
2009/0024126	A1	1/2009	Artale et al.	2010/0179545	A1	7/2010	Twomey et al.
2009/0036881	A1	2/2009	Artale et al.	2010/0179546	A1	7/2010	Cunningham
2009/0036899	A1	2/2009	Carlton et al.	2010/0179547	A1	7/2010	Cunningham et al.

2010/0198218	A1	8/2010	Manzo	2012/0004658	A1	1/2012	Chojin
2010/0198248	A1	8/2010	Vakharia	2012/0010614	A1	1/2012	Couture
2010/0204697	A1	8/2010	Dumbauld et al.	2012/0022532	A1	1/2012	Garrison
2010/0204698	A1	8/2010	Chapman et al.	2012/0029515	A1	2/2012	Couture
2010/0217258	A1	8/2010	Floume et al.	2012/0041438	A1	2/2012	Nau, Jr. et al.
2010/0217264	A1	8/2010	Odom et al.	2012/0046659	A1	2/2012	Mueller
2010/0228249	A1	9/2010	Mohr et al.	2012/0046660	A1	2/2012	Nau, Jr.
2010/0228250	A1	9/2010	Brogna	2012/0046662	A1	2/2012	Gilbert
2010/0249769	A1	9/2010	Nau, Jr. et al.	2012/0059371	A1	3/2012	Anderson et al.
2010/0274160	A1	10/2010	Yachi et al.	2012/0059372	A1	3/2012	Johnson
2010/0274244	A1	10/2010	Heard	2012/0059374	A1	3/2012	Johnson et al.
2010/0274265	A1	10/2010	Wingardner et al.	2012/0059375	A1	3/2012	Couture et al.
2010/0280511	A1	11/2010	Rachlin et al.	2012/0059408	A1	3/2012	Mueller
2010/0292691	A1	11/2010	Brogna	2012/0059409	A1	3/2012	Reschke et al.
2010/0305558	A1	12/2010	Kimura et al.	2012/0078250	A1	3/2012	Orton et al.
2010/0307934	A1	12/2010	Chowaniec et al.	2012/0083785	A1	4/2012	Roy et al.
2010/0312235	A1	12/2010	Bahney	2012/0083786	A1	4/2012	Artale et al.
2010/0331742	A1	12/2010	Masuda	2012/0083827	A1	4/2012	Artale et al.
2010/0331839	A1	12/2010	Schechter et al.	2012/0095456	A1	4/2012	Schechter et al.
2011/0004210	A1	1/2011	Johnson et al.	2012/0095460	A1	4/2012	Rooks et al.
2011/0015632	A1	1/2011	Artale	2012/0109187	A1	5/2012	Gerhardt, Jr. et al.
2011/0018164	A1	1/2011	Sartor et al.	2012/0118507	A1	5/2012	Brandt et al.
2011/0034918	A1	2/2011	Reschke	2012/0123402	A1	5/2012	Chernov et al.
2011/0046623	A1	2/2011	Reschke	2012/0123404	A1	5/2012	Craig
2011/0054467	A1	3/2011	Mueller et al.	2012/0123410	A1	5/2012	Craig
2011/0054468	A1	3/2011	Dycus	2012/0123413	A1	5/2012	Chernov et al.
2011/0054469	A1	3/2011	Kapp et al.	2012/0130367	A1	5/2012	Garrison
2011/0054471	A1	3/2011	Gerhardt et al.	2012/0136353	A1	5/2012	Romero
2011/0054472	A1	3/2011	Romero	2012/0136354	A1	5/2012	Rupp
2011/0060333	A1	3/2011	Mueller	2012/0143185	A1	6/2012	Nau, Jr.
2011/0060334	A1	3/2011	Brandt et al.	2012/0165797	A1	6/2012	Cunningham
2011/0060335	A1	3/2011	Harper et al.	2012/0165818	A1	6/2012	Odom
2011/0071523	A1	3/2011	Dickhans	2012/0172868	A1	7/2012	Twomey et al.
2011/0071525	A1	3/2011	Dumbauld et al.	2012/0172873	A1	7/2012	Artale et al.
2011/0072638	A1	3/2011	Brandt et al.	2012/0172924	A1	7/2012	Allen, IV
2011/0073594	A1	3/2011	Bonn	2012/0172925	A1	7/2012	Dumbauld et al.
2011/0077637	A1	3/2011	Brannan	2012/0184989	A1	7/2012	Twomey
2011/0077648	A1	3/2011	Lee et al.	2012/0184990	A1	7/2012	Twomey
2011/0077649	A1	3/2011	Kingsley	2012/0202179	A1	8/2012	Fedotov et al.
2011/0082457	A1	4/2011	Kerr et al.	2012/0209263	A1	8/2012	Sharp et al.
2011/0082494	A1	4/2011	Kerr et al.	2012/0215219	A1	8/2012	Roy et al.
2011/0087221	A1	4/2011	Siebrecht et al.	2012/0215242	A1	8/2012	Reschke et al.
2011/0098689	A1	4/2011	Nau, Jr. et al.				
2011/0106079	A1	5/2011	Garrison et al.				
2011/0118736	A1	5/2011	Harper et al.				
2011/0178519	A1	7/2011	Couture et al.				
2011/0184405	A1	7/2011	Mueller				
2011/0190653	A1	8/2011	Harper et al.				
2011/0190765	A1	8/2011	Chojin				
2011/0193608	A1	8/2011	Krapohl				
2011/0218530	A1	9/2011	Reschke				
2011/0230880	A1	9/2011	Chojin et al.				
2011/0238066	A1	9/2011	Olson				
2011/0238067	A1	9/2011	Moses et al.				
2011/0251605	A1	10/2011	Hoarau et al.				
2011/0251606	A1	10/2011	Kerr				
2011/0251611	A1	10/2011	Horner et al.				
2011/0257680	A1	10/2011	Reschke et al.				
2011/0257681	A1	10/2011	Reschke et al.				
2011/0270245	A1	11/2011	Horner et al.				
2011/0270250	A1	11/2011	Horner et al.				
2011/0270251	A1	11/2011	Horner et al.				
2011/0270252	A1	11/2011	Horner et al.				
2011/0276048	A1	11/2011	Kerr et al.				
2011/0276049	A1	11/2011	Gerhardt				
2011/0295251	A1	12/2011	Garrison				
2011/0295313	A1	12/2011	Kerr				
2011/0301592	A1	12/2011	Kerr et al.				
2011/0301599	A1	12/2011	Roy et al.				
2011/0301600	A1	12/2011	Garrison et al.				
2011/0301601	A1	12/2011	Garrison et al.				
2011/0301602	A1	12/2011	Roy et al.				
2011/0301603	A1	12/2011	Kerr et al.				
2011/0301604	A1	12/2011	Horner et al.				
2011/0301605	A1	12/2011	Horner				
2011/0301606	A1	12/2011	Kerr				
2011/0301637	A1	12/2011	Kerr et al.				
2011/0319886	A1	12/2011	Chojin et al.				
2011/0319888	A1	12/2011	Mueller et al.				

FOREIGN PATENT DOCUMENTS

DE	390937	3/1924
DE	1099658	2/1961
DE	1139927	11/1962
DE	1149832	6/1963
DE	1439302	1/1969
DE	2439587	2/1975
DE	2455174	5/1975
DE	2407559	8/1975
DE	2415263	10/1975
DE	2429021	1/1976
DE	2460481	6/1976
DE	2602517	7/1976
DE	2504280	8/1976
DE	2514501	10/1976
DE	2627679	1/1977
DE	2540968	3/1977
DE	2820908	11/1978
DE	2803275	8/1979
DE	2823291	11/1979
DE	2946728	5/1981
DE	3143421	5/1982
DE	3045996	7/1982
DE	3120102	12/1982
DE	3423356	1/1986
DE	3510586	10/1986
DE	3612646	4/1987
DE	3604823	8/1987
DE	8712328	3/1988
DE	3711511	6/1988
DE	3904558	8/1990
DE	3942998	7/1991
DE	4238263	5/1993
DE	4303882	8/1994
DE	4339049	5/1995
DE	4403252	8/1995

# US D680,220 S

Page 11

DE	19515914	7/1996
DE	19506363	8/1996
DE	29616210	1/1997
DE	19608716	4/1997
DE	19751106	5/1998
DE	19717411	11/1998
DE	19751108	5/1999
DE	19801173	7/1999
DE	19848540	5/2000
DE	10031773	11/2001
DE	19946527	12/2001
DE	10045375	4/2002
DE	20121161	4/2002
DE	10224154	12/2003
DE	10310765	9/2004
DE	10328514	3/2005
DE	10 2004 026179	12/2005
DE	102004022206	12/2005
DE	202005015147	3/2006
DE	20 2007 009318	8/2007
DE	20 2007 009165	10/2007
DE	20 2007 009317	10/2007
DE	20 2007 016233	3/2008
DE	19738457	1/2009
DE	10 2008 018406	7/2009
DE	102009015699	5/2010
EP	0 246 350	11/1987
EP	0 521 264	1/1993
EP	0 556 705	8/1993
EP	0 558 429	9/1993
EP	0 836 868	4/1998
EP	0 882 955	12/1998
EP	1159926	12/2001
EP	0 648 515	4/2003
FR	179 607	11/1906
FR	1 275 415	10/1961
FR	1 347 865	11/1963
FR	2 235 669	1/1975
FR	2 276 027	1/1976
FR	2 313 708	12/1976
FR	2 502 935	10/1982
FR	2 517 953	6/1983
FR	2 573 301	5/1986
FR	2 862 813	5/2005
FR	2 864 439	7/2005
JP	61-501068	9/1984
JP	6-502328	3/1992
JP	5-5106	1/1993
JP	5-40112	2/1993
JP	6-030945	2/1994
JP	6-121797	5/1994
JP	6-285078	10/1994
JP	6-343644	12/1994
JP	6-511401	12/1994
JP	7-265328	10/1995
JP	8-56955	3/1996
JP	8-317936	3/1996
JP	8-289895	5/1996
JP	8-252263	10/1996
JP	8-317934	12/1996
JP	9-10223	1/1997
JP	09000492	1/1997
JP	9-122138	5/1997
JP	10-000195	1/1998
JP	10-24051	1/1998
JP	11-070124	5/1998
JP	10-155798	6/1998
JP	2000-102545	9/1998
JP	11-47150	2/1999
JP	11-169381	6/1999
JP	11-192238	7/1999
JP	11-244298	9/1999
JP	11244298	9/1999
JP	2000-342599	12/2000
JP	2000-350732	12/2000
JP	2001-8944	1/2001
JP	2001003776	1/2001
JP	2001-29356	2/2001
JP	2001037775	2/2001

JP	2001-128990	5/2001
JP	2001-190564	7/2001
JP	2001231870	8/2001
JP	2001-3400	11/2001
JP	2002-528166	3/2002
JP	2002-136525	5/2002
JP	2003-175052	6/2003
JP	2003-245285	9/2003
JP	2004-517668	6/2004
JP	2004-528869	9/2004
JP	2005-253789	9/2005
JP	2006-015078	1/2006
JP	2006-501939	1/2006
JP	2006-095316	4/2006
JP	2008142467	6/2008
JP	2011-125195	6/2011
SU	166452	11/1964
SU	401367	11/1974
SU	727201	4/1980
WO	WO00/36985	6/2000
WO	WO 00/36986	6/2000
WO	WO 00/59392	10/2000
WO	WO 01/15614	3/2001
WO	WO 01/54604	8/2001
WO	WO 02/45589	6/2002
WO	WO 2005/110264	11/2005
WO	WO2010/035831	4/2010

## OTHER PUBLICATIONS

U.S. Appl. No. 09/177,950, filed Oct. 23, 1998, Randel A. Frazier.  
 U.S. Appl. No. 09/387,883, filed Sep. 1, 1999, Dale F. Schmalz.  
 U.S. Appl. No. 09/591,328, filed Jun. 9, 2000, Thomas P. Ryan.  
 U.S. Appl. No. 12/336,970, filed Dec. 17, 2008, Paul G. Sremeich.  
 U.S. Appl. No. 13/050,182, filed Mar. 17, 2011, Glenn A. Horner.  
 U.S. Appl. No. 13/072,945, filed Mar. 28, 2011, Patrick L. Dumbauld.  
 U.S. Appl. No. 13/080,383, filed Apr. 5, 2011, David M. Garrison.  
 U.S. Appl. No. 13/085,144, filed Apr. 12, 2011, Keir Hart.  
 U.S. Appl. No. 13/091,331, filed Apr. 21, 2011, Jeffrey R. Townsend.  
 U.S. Appl. No. 13/102,573, filed May 6, 2011, John R. Twomey.  
 U.S. Appl. No. 13/102,604, filed May 6, 2011, Paul E. Ourada.  
 U.S. Appl. No. 13/108,093, filed May 16, 2011, Boris Chernov.  
 U.S. Appl. No. 13/108,129, filed May 16, 2011, Boris Chernov.  
 U.S. Appl. No. 13/108,152, filed May 16, 2011, Boris Chernov.  
 U.S. Appl. No. 13/108,177, filed May 16, 2011, Boris Chernov.  
 U.S. Appl. No. 13/108,196, filed May 16, 2011, Boris Chernov.  
 U.S. Appl. No. 13/108,441, filed May 16, 2011, Boris Chernov.  
 U.S. Appl. No. 13/108,468, filed May 16, 2011, Boris Chernov.  
 U.S. Appl. No. 13/111,642, filed May 19, 2011, John R. Twomey.  
 U.S. Appl. No. 13/111,678, filed May 19, 2011, Nikolay Kharin.  
 U.S. Appl. No. 13/113,231, filed May 23, 2011, David M. Garrison.  
 U.S. Appl. No. 13/157,047, filed Jun. 9, 2011, John R. Twomey.  
 U.S. Appl. No. 13/162,814, filed Jun. 17, 2011, Barbara R. Tyrrell.  
 U.S. Appl. No. 13/166,477, filed Jun. 22, 2011, Daniel A. Joseph.  
 U.S. Appl. No. 13/166,497, filed Jun. 22, 2011, Daniel A. Joseph.  
 U.S. Appl. No. 13/179,919, filed Jul. 11, 2011, Russell D. Hempstead.  
 U.S. Appl. No. 13/179,960, filed Jul. 11, 2011, Boris Chernov.  
 U.S. Appl. No. 13/179,975, filed Jul. 11, 2011, Grant T. Sims.  
 U.S. Appl. No. 13/180,018, filed Jul. 11, 2011, Chase Collings.  
 U.S. Appl. No. 13/183,856, filed Jul. 15, 2011, John R. Twomey.  
 U.S. Appl. No. 13/185,593, filed Jul. 19, 2011, James D. Allen, IV.  
 U.S. Appl. No. 13/204,841, filed Aug. 8, 2011, Edward J. Chojin.  
 U.S. Appl. No. 13/205,999, filed Aug. 9, 2011, Jeffrey R. Unger.  
 U.S. Appl. No. 13/212,297, filed Aug. 18, 2011, Allan J. Evans.  
 U.S. Appl. No. 13/212,308, filed Aug. 18, 2011, Allan J. Evans.  
 U.S. Appl. No. 13/212,329, filed Aug. 18, 2011, Allan J. Evans.  
 U.S. Appl. No. 13/212,343, filed Aug. 18, 2011, Duane E. Kerr.  
 U.S. Appl. No. 13/223,521, filed Sep. 1, 2011, John R. Twomey.  
 U.S. Appl. No. 13/227,220, filed Sep. 7, 2011, James D. Allen, IV.  
 U.S. Appl. No. 13/228,742, filed Sep. 9, 2011, Duane E. Kerr.  
 U.S. Appl. No. 13/231,643, filed Sep. 13, 2011, Keir Hart.  
 U.S. Appl. No. 13/234,357, filed Sep. 16, 2011, James D. Allen, IV.  
 U.S. Appl. No. 13/236,168, filed Sep. 19, 2011, James D. Allen, IV.

- U.S. Appl. No. 13/236,271, filed Sep. 19, 2011, Monte S. Fry.
- U.S. Appl. No. 13/243,628, filed Sep. 23, 2011, William Ross Whitney.
- U.S. Appl. No. 13/247,778, filed Sep. 28, 2011, John R. Twomey.
- U.S. Appl. No. 13/247,795, filed Sep. 28, 2011, John R. Twomey.
- U.S. Appl. No. 13/248,976, filed Sep. 29, 2011, James D. Allen, IV.
- U.S. Appl. No. 13/249,013, filed Sep. 29, 2011, Jeffrey R. Unger.
- U.S. Appl. No. 13/249,024, filed Sep. 29, 2011, John R. Twomey.
- U.S. Appl. No. 13/251,380, filed Oct. 3, 2011, Duane E. Kerr.
- U.S. Appl. No. 13/277,373, filed Oct. 20, 2011, Glenn A. Horner.
- U.S. Appl. No. 13/277,926, filed Oct. 20, 2011, David M. Garrison.
- U.S. Appl. No. 13/277,962, filed Oct. 20, 2011, David M. Garrison.
- U.S. Appl. No. 13/293,754, filed Nov. 10, 2011, Jeffrey M. Roy.
- U.S. Appl. No. 13/306,523, filed Nov. 29, 2011, David M. Garrison.
- U.S. Appl. No. 13/306,553, filed Nov. 29, 2011, Duane E. Kerr.
- U.S. Appl. No. 13/308,104, filed Nov. 30, 2011, John R. Twomey.
- U.S. Appl. No. 13/312,172, filed Dec. 6, 2011, Robert J. Behnke, II.
- U.S. Appl. No. 13/324,863, filed Dec. 13, 2011, William H. Nau, Jr.
- U.S. Appl. No. 13/344,729, filed Jan. 6, 2012, James D. Allen, IV.
- U.S. Appl. No. 13/355,829, filed Jan. 23, 2012, John R. Twomey.
- U.S. Appl. No. 13/357,979, filed Jan. 25, 2012, David M. Garrison.
- U.S. Appl. No. 13/358,136, filed Jan. 25, 2012, James D. Allen, IV.
- U.S. Appl. No. 13/360,925, filed Jan. 30, 2012, James H. Orszulak.
- U.S. Appl. No. 13/400,290, filed Feb. 20, 2012, Eric R. Larson.
- U.S. Appl. No. 13/404,435, filed Feb. 24, 2012, Kim V. Brandt.
- U.S. Appl. No. 13/404,476, filed Feb. 24, 2012, Kim V. Brandt.
- U.S. Appl. No. 13/412,879, filed Mar. 6, 2012, David M. Garrison.
- U.S. Appl. No. 13/412,897, filed Mar. 6, 2012, Joanna Ackley.
- U.S. Appl. No. 13/421,373, filed Mar. 15, 2012, John R. Twomey.
- U.S. Appl. No. 13/430,325, filed Mar. 26, 2012, William H. Nau, Jr.
- U.S. Appl. No. 13/433,924, filed Mar. 29, 2012, Keir Hart.
- U.S. Appl. No. 13/448,577, filed Apr. 17, 2012, David M. Garrison.
- U.S. Appl. No. 13/460,455, filed Apr. 30, 2012, Luke Waaler.
- U.S. Appl. No. 13/461,335, filed May 1, 2012, James D. Allen, IV.
- U.S. Appl. No. 13/461,378, filed May 1, 2012, James D. Allen, IV.
- U.S. Appl. No. 13/461,397, filed May 1, 2012, James R. Unger.
- U.S. Appl. No. 13/461,410, filed May 1, 2012, James R. Twomey.
- U.S. Appl. No. 13/464,569, filed May 4, 2012, Duane E. Kerr.
- U.S. Appl. No. 13/466,274, filed May 8, 2012, Stephen M. Kendrick.
- U.S. Appl. No. 13/467,767, filed May 9, 2012, Duane E. Kerr.
- U.S. Appl. No. 13/470,543, filed May 14, 2012, Sean T. Dycus.
- U.S. Appl. No. 13/470,775, filed May 14, 2012, James D. Allen, IV.
- U.S. Appl. No. 13/470,797, filed May 14, 2012, John J. Kappus.
- U.S. Appl. No. 13/482,589, filed May 29, 2012, Eric R. Larson.
- U.S. Appl. No. 13/483,733, filed May 30, 2012, Dennis W. Butcher.
- U.S. Appl. No. 13/488,093, filed Jun. 4, 2012, Kristin D. Johnson.
- U.S. Appl. No. 13/491,853, filed Jun. 8, 2012, Jessica E. Olson.
- U.S. Appl. No. 13/537,517, filed Jun. 29, 2012, David N. Heard.
- U.S. Appl. No. 13/537,577, filed Jun. 29, 2012, Tony Moua.
- U.S. Appl. No. 13/550,322, filed Jul. 16, 2012, John J. Kappus.
- U.S. Appl. No. 13/571,055, filed Aug. 9, 2012, Paul Guerra.
- U.S. Appl. No. 13/571,821, filed Aug. 10, 2012, Joseph D. Bucchiaglia.
- U.S. Appl. No. 13/584,194, filed Aug. 13, 2012, Sean T. Dycus.
- U.S. Appl. No. 08/136,098, filed Oct. 14, 1993, Roger A. Stern.
- U.S. Appl. No. 08/483,742, filed Jun. 7, 1995, Roger A. Stern.
- U.S. Appl. No. 13/050,729, filed Mar. 17, 2011, Casey M. Ladtkow.
- U.S. Appl. No. 13/083,185, filed Apr. 8, 2011, Arnold V. DeCarlo.
- U.S. Appl. No. 13/083,256, filed Apr. 8, 2011, Joseph D. Brannan.
- U.S. Appl. No. 13/113,736, filed May 23, 2011, Ladtkow et al.
- U.S. Appl. No. 13/118,929, filed May 31, 2011, Bonn et al.
- U.S. Appl. No. 13/206,075, filed Aug. 9, 2011, Lee et al.
- U.S. Appl. No. 13/236,997, filed Sep. 20, 2011, Behnke II, et al.
- U.S. Appl. No. 13/237,068, filed Sep. 20, 2011, Behnke II, et al.
- U.S. Appl. No. 13/237,187, filed Sep. 20, 2011, Behnke II, et al.
- U.S. Appl. No. 13/237,342, filed Sep. 20, 2011, Behnke II, et al.
- U.S. Appl. No. 13/237,488, filed Sep. 20, 2011, Behnke II, et al.
- U.S. Appl. No. 13/343,788, filed Jan. 5, 2012, William O. Reid Jr.
- U.S. Appl. No. 13/343,798, filed Jan. 5, 2012, William O. Reid Jr.
- U.S. Appl. No. 13/344,753, filed Jan. 6, 2012, Lee et al.
- U.S. Appl. No. 13/344,790, filed Jan. 6, 2012, Lee et al.
- U.S. Appl. No. 13/400,223, filed Feb. 20, 2012, Anthony B. Ross.
- U.S. Appl. No. 13/419,981, filed Mar. 14, 2012, Joseph D. Brannan.
- U.S. Appl. No. 13/430,810, filed Mar. 27, 2012, Joseph D. Brannan.
- U.S. Appl. No. 13/440,690, filed Apr. 5, 2012, Joseph D. Brannan.
- U.S. Appl. No. 13/460,440, filed Apr. 30, 2012, Arnold V. DeCarlo.
- U.S. Appl. No. 13/464,021, filed May 4, 2012, Joseph D. Brannan.
- U.S. Appl. No. 13/477,260, filed May 22, 2012, William R. Reid, Jr.
- U.S. Appl. No. 13/477,307, filed May 22, 2012, Casey M. Ladtkow.
- U.S. Appl. No. 13/477,320, filed May 22, 2012, Joseph D. Brannan.
- U.S. Appl. No. 13/483,858, filed May 30, 2012, Francesca Rossetto.
- U.S. Appl. No. 13/488,964, filed Jun. 5, 2012, Steven P. Buysse.
- U.S. Appl. No. 13/525,853, filed Jun. 18, 2012, Joseph A. Paulus.
- U.S. Appl. No. 13/526,676, filed Jun. 19, 2012, Francesca Rossetto.
- U.S. Appl. No. 13/539,650, filed Jul. 2, 2012, Joseph A. Paulus.
- U.S. Appl. No. 13/539,690, filed Jul. 2, 2012, Steven P. Buysse.
- U.S. Appl. No. 13/539,725, filed Jul. 2, 2012, Steven P. Buysse.
- U.S. Appl. No. 13/539,875, filed Jul. 2, 2012, Mani N. Prakash.
- U.S. Appl. No. 13/551,005, filed Jul. 17, 2012, Chris Rusin.
- U.S. Appl. No. 13/567,624, filed Aug. 6, 2012, Mani N. Prakash.
- U.S. Appl. No. 13/568,679, filed Aug. 7, 2012, Robert J. Behnke, II.
- U.S. Appl. No. 13/596,785, filed Aug. 28, 2012, Richard A. Willyard.
- U.S. Appl. No. 13/598,141, filed Aug. 29, 2012, Kenlyn S. Bonn.
- Michael Choti, "Abdominoperineal Resection with the LigaSure Vessel Sealing System and LigaSure Atlas 20 cm Open Instrument"; *Innovations That Work*, Jun. 2003.
- Chung et al., "Clinical Experience of Sutureless Closed Hemorrhoidectomy with LigaSure" *Diseases of the Colon & Rectum* vol. 46, No. 1 Jan. 2003.
- Tinkler L.F., "Combined Diathermy and Suction Forceps", Feb. 6, 1967 (Feb. 6, 1965), *British Medical Journal* Feb. 6, 1976, vol. 1, nr. 5431 p. 361, ISSN: 0007-1447.
- Carbonell et al., "Comparison of the Gyrus PlasmaKinetic Sealer and the Valleylab LigaSure Device in the Hemostasis of Small, Medium, and Large-Sized Arteries" *Carolinas Laparoscopic and Advanced Surgery Program, Carolinas Medical Center, Charlotte, NC*; Date: Aug. 2003.
- Peterson et al. "Comparison of Healing Process Following Ligation with Sutures and Bipolar Vessel Sealing" *Surgical Technology International* (2001).
- "Electrosurgery: A Historical Overview" *Innovations in Electrosurgery; Sales/Product Literature*; Dec. 31, 2000.
- Johnson et al. "Evaluation of a Bipolar Electrothermal Vessel Sealing Device in Hemorrhoidectomy" *Sales/Product Literature*; Jan. 2004.
- E. David Crawford "Evaluation of a New Vessel Sealing Device in Urologic Cancer Surgery" *Sales/Product Literature* 2000.
- Johnson et al. "Evaluation of the LigaSure Vessel Sealing System in Hemorrhoidectomy" *American College of Surgeons (ACS) Clinical Congress Poster* (2000).
- Muller et al., "Extended Left Hemicolectomy Using the LigaSure Vessel Sealing System" *Innovations That Work*, Sep. 1999.
- Kennedy et al. "High-burst-strength, feedback-controlled bipolar vessel sealing" *Surgical Endoscopy* (1998) 12: 876-878.
- Burdette et al. "In Vivo Probe Measurement Technique for Determining Dielectric Properties At VHF Through Microwave Frequencies", *IEEE Transactions on Microwave Theory and Techniques*, vol. MTT-28, No. 4, Apr. 1980 pp. 414-427.
- Carus et al., "Initial Experience With The LigaSure Vessel Sealing System in Abdominal Surgery" *Innovations That Work*, Jun. 2002.
- Heniford et al. "Initial Research and Clinical Results with an Electrothermal Bipolar Vessel Sealer" Oct. 1999.
- Heniford et al. "Initial Results with an Electrothermal Bipolar Vessel Sealer" *Surgical Endoscopy* (2000) 15:799-801.
- Herman et al., "Laparoscopic Intestinal Resection With the LigaSure Vessel Sealing System: A Case Report"; *Innovations That Work*, Feb. 2002.
- Koyle et al., "Laparoscopic Palomo Varicocele Ligation in Children and Adolescents" *Pediatric Endosurgery & Innovative Techniques*, vol. 6, No. 1, 2002.
- W. Scott Helton, "LigaSure Vessel Sealing System: Revolutionary Hemostasis Product for General Surgery"; *Sales/Product Literature* 1999.
- LigaSure Vessel Sealing System, the Seal of Confidence in General, Gynecologic, Urologic, and Laparoscopic Surgery; *Sales/Product Literature*; Apr. 2002.

- Joseph Ortenberg "LigaSure System Used in Laparoscopic 1st and 2nd Stage Orchiopexy" *Innovations That Work*, Nov. 2002.
- Sigel et al. "The Mechanism of Blood Vessel Closure by High Frequency Electrocoagulation" *Surgery Gynecology & Obstetrics*, Oct. 1965 pp. 823-831.
- Sampayan et al, "Multilayer Ultra-High Gradient Insulator Technology" *Discharges and Electrical Insulation in Vacuum*, 1998. Netherlands Aug. 17-21, 1998; vol. 2, pp. 740-743.
- Paul G. Horgan, "A Novel Technique for Parenchymal Division During Hepatectomy" *The American Journal of Surgery*, vol. 181, No. 3, Apr. 2001 pp. 236-237.
- Benaron et al., "Optical Time-Of-Flight and Absorbance Imaging of Biologic Media", *Science*, American Association for the Advancement of Science, Washington, DC, vol. 259, Mar. 5, 1993, pp. 1463-1466.
- Olsson et al. "Radical Cystectomy in Females" *Current Surgical Techniques in Urology*, vol. 14, Issue 3, 2001.
- Palazzo et al. "Randomized clinical trial of Ligasure versus open haemorrhoidectomy" *British Journal of Surgery* 2002, 89, 154-157.
- Levy et al. "Randomized Trial of Suture Versus Electrosurgical Bipolar Vessel Sealing in Vaginal Hysterectomy" *Obstetrics & Gynecology*, vol. 102, No. 1, Jul. 2003.
- "Reducing Needlestick Injuries in the Operating Room" *Sales/Product Literature* 2001.
- Bergdahl et al. "Studies on Coagulation and the Development of an Automatic Computerized Bipolar Coagulator" *J.Neurosurg*, vol. 75, Jul. 1991, pp. 148-151.
- Strasberg et al. "A Phase I Study of the LigaSure Vessel Sealing System in Hepatic Surgery" *Section of HPB Surger*, Washington University School of Medicine, St. Louis MO, Presented at AHPBA, Feb. 2001.
- Sayfan et al. "Sutureless Closed Hemorrhoidectomy: A New Technique" *Annals of Surgery* vol. 234 No. 1 Jul. 2001; pp. 21-24.
- Levy et al., "Update on Hysterectomy—New Technologies and Techniques" *OBG Management*, Feb. 2003.
- Dulemba et al. "Use of a Bipolar Electrothermal Vessel Sealer in Laparoscopically Assisted Vaginal Hysterectomy" *Sales/Product Literature*; Jan. 2004.
- Strasberg et al., "Use of a Bipolar Vessel-Sealing Device for Parenchymal Transection During Liver Surgery" *Journal of Gastrointestinal Surgery*, vol. 6, No. 4, Jul./Aug. 2002 pp. 569-574.
- Sengupta et al., "Use of a Computer-Controlled Bipolar Diathermy System in Radical Prostatectomies and Other Open Urological Surgery" *ANZ Journal of Surgery* (2001) 71.9 pp. 538-540.
- Rothenberg et al. "Use of the LigaSure Vessel Sealing System in Minimally Invasive Surgery in Children" *Int'L Pediatric Endosurgery Group (IPEG)* 2000.
- Crawford et al. "Use of the LigaSure Vessel Sealing System in Urologic Cancer Surgery" *Grand Rounds in Urology* 1999 vol. 1 Issue 4 pp. 10-17.
- Craig Johnson, "Use of the LigaSure Vessel Sealing System in Bloodless Hemorrhoidectomy" *Innovations That Work*, Mar. 2000.
- Levy et al. "Use of a New Energy-based Vessel Ligation Device During Vaginal Hysterectomy" *Int'l Federation of Gynecology and Obstetrics (FIGO) World Congress* 1999.
- Barbara Levy, "Use of a New Vessel Ligation Device During Vaginal Hysterectomy" *FIGO 2000*, Washington, D.C.
- E. David Crawford "Use of a Novel Vessel Sealing Technology in Management of the Dorsal Venous Complex" *Sales/Product Literature* 2000.
- Jarrett et al., "Use of the LigaSure Vessel Sealing System for Perihilar Vessels in Laparoscopic Nephrectomy" *Sales/Product Literature* 2000.
- Crouch et al. "A Velocity-Dependent Model for Needle Insertion in Soft Tissue" *Miccai* 2005; LNCS 3750 pp. 624-632, Dated: 2005.
- McLellan et al. "Vessel Sealing for Hemostasis During Pelvic Surgery" *Int'L Federation of Gynecology and Obstetrics FIGO World Congress* 2000, Washington, D.C.
- McLellan et al. "Vessel Sealing for Hemostasis During Gynecologic Surgery" *Sales/Product Literature* 1999.
- Alexander et al., "Magnetic Resonance Image-Directed Stereotactic Neurosurgery: Use of Image Fusion with Computerized Tomography to Enhance Spatial Accuracy" *Journal Neurosurgery*, 83 (1995), pp. 271-276.
- Anderson et al., "A Numerical Study of Rapid Heating for High Temperature Radio Frequency Hyperthermia" *International Journal of Bio-Medical Computing*, 35 (1994), pp. 297-307.
- Anonymous. (1999) *Auto Suture MIBB Site Marker: Single Use Clip Applier*, United States Surgical (Product instructions), 2 pages.
- Anonymous. (2001) *Disposable Chiba Biopsy Needles and Trays, Biopsy and Special Purpose Needles Cook Diagnostic and Interventional Products Catalog (products list)*, 4 pages.
- Anonymous. (1987) *Homer Mammalok™ Breast Lesion Needle/Wire Localizer*, Namic® Angiographic Systems Division, Glens Falls, New York, (Hospital products price list), 4 pages.
- Anonymous. (1999) *MIBB Site Marker*, United States Surgical (Sales brochure), 4 pages.
- Anonymous. *Blunt Tubes with Finished Ends. Pointed Cannula*, Popper & Sons Biomedical Instrument Division, (Products Price List), one page Jul. 19, 2000.
- Anonymous. *Ground Cannulae*, ISPG, New Milford, CT, (Advertisement) one page, Jul. 19, 2000.
- B. Levy M.D. et al., "Randomized Trial of Suture Versus Electrosurgical Bipolar Vessel Sealing in Vaginal Hysterectomy" *Obstetrics & Gynecology*, vol. 102, No. 1, Jul. 2003.
- B. Levy M.D. et al., "Update on Hysterectomy New Technologies and Techniques" *OBG Management*, Feb. 2003.
- B. Levy M.D., "Use of a New Vessel Ligation Device During Vaginal Hysterectomy" *FIGO 2000*, Washington, D.C.
- B. F. Mullan et al., (May 1999) "Lung Nodules: Improved Wire for CT-Guided Localization," *Radiology* 211:561-565.
- B. T. Heniford M.D. et al., "Initial Research and Clinical Results with an Electrothermal Bipolar Vessel Sealer" Oct. 1999.
- Bulletin of the American Physical Society*, vol. 47, No. 5, Aug. 2002, p. 41.
- C. F. Gottlieb et al., "Interstitial Microwave Hyperthermia Applicators having Submillimetre Diameters", *Int. J. Hyperthermia*, vol. 6, No. 3, pp. 707-714, 1990.
- C. H. Durney et al., "Antennas for Medical Applications", *Antenna Handbook: Theory Application and Design*, p. 24-40, Van Nostrand Reinhold, 1988 New York, V.T. Lo, S.W. Lee.
- Chicharo et al., "A Sliding Goertzel Algorithm" Aug. 1996 DOS pp. 283-297 *Signal Processing*, Elsevier Science Publishers B.V. Amsterdam, NL, vol. 52, No. 3.
- Chou, C.K., (1995) "Radiofrequency Hyperthermia in Cancer Therapy," Chapter 94 in *Biologic Effects of Nonionizing Electromagnetic Fields*, CRC Press, Inc., pp. 1424-1428.
- Cosman et al., "Methods of Making Nervous System Lesions" in William RH, Rengachary SS (eds): *Neurosurgery*, New York: McGraw Hill, vol. 111, (1984), pp. 2490-2499.
- Cosman et al., "Radiofrequency Lesion Generation and its Effect on Tissue Impedence", *Applied Neurophysiology*, 51:230-242, 1988.
- Cosman et al., "Theoretical Aspects of Radiofrequency Lesions in the Dorsal Root Entry Zone" *Neurosurgery* 15:(1984), pp. 945-950.
- Esterline, "Light Key Projection Keyboard" *Advanced Input Systems*, located at: <<http://www.advanced-input.com/lightkey>> 2002.
- Esterline Product Literature, "Light Key: Visualize a Virtual Keyboard. One With No Moving Parts", Nov. 1, 2003; 4 pages.
- Geddes et al., "The Measurement of Physiologic Events by Electrical Impedence" *Am. J. MI*, Jan. Mar. 1964, pp. 16-27.
- Goldberg et al., "Image-guided Radiofrequency Tumor Ablation: Challenges and Opportunities—Part I", (2001) *JVasc. Interv. Radiol*, vol. 12, pp. 1021-1032.
- Goldberg et al. (1995) "Saline-enhanced RF Ablation: Demonstration of Efficacy and Optimization of Parameters", *Radiology*, 197(P): 140 (Abstr).
- Goldberg et al., "Tissue Ablation with Radiofrequency: Effect of Probe Size, Gauge, Duration, and Temperature on Lesion Volume" *Acad Radio* (1995) vol. 2, No. 5, pp. 399-404.
- H. Schwarzmaier et al., "Magnetic Resonance Imaging of Microwave Induced Tissue Heating" *Dept. of Laser Medicine & Dept. of Diagnostic Radiology; Heinrich-Heine-University, Duesseldorf, Germany*; Dec. 8, 1994; pp. 729-731.

- Humphries Jr. et al., "Finite Element Codes to Model Electrical Heating and Non Linear Thermal Transport in Biological Media", Proc. ASME HTD-355, 131 (1997).
- Ian D. McRury et al., "The Effect of Ablation Sequence and Duration on Lesion Shape Using Rapidly Pulsed Radiofrequency Energy Through Electrodes", Feb. 2000, Springer Netherlands, vol. 4; No. 1, pp. 307-320.
- Johnson et al., "Evaluation of a Bipolar Electrothermal Vessel Sealing Device in Hemorrhoidectomy" Sales/Product Literature, Jan. 2004.
- Johnson et al., "New Low-Profile Applicators for Local Heating of Tissues", IEEE Transactions on Biomedical Engineering, vol. BME-31, No. 1, Jan. 1984, pp. 28-37.
- Joseph G. Andriole M.D. et al., "Biopsy Needle Characteristics Assessed in the Laboratory", Radiology 148: 659-662, Sep. 1983.
- K. Ogata, Modern Control Engineering, Prentice-Hall, Englewood Cliffs, N.J., 1970.
- Kopans, D.B. et al., (Nov. 1985) "Spring Hookwire Breast Lesion Localizer: Use with Rigid-Compression. Mammographic Systems," Radiology 157(2):537-538.
- Livraghi et al., (1995) "Saline-enhanced RF Tissue Ablation in the Treatment of Liver Metastases", Radiology, p. 140 (Abstr).
- Lyndon B. Johnson Space Center, Houston, Texas, "Compact Directional Microwave Antenna for Localized Heating," NASA Tech Briefs, Mar. 2008.
- M. A. Astrahan, "A Localized Current Field Hyperthermia System for Use with 192-Iridium Interstitial Implants" Medical Physics. 9(3), May/June. 1982.
- Magdy F. Iskander et al., "Design Optimization of Interstitial Antennas", IEEE Transactions on Biomedical Engineering, vol. 36, No. 2, Feb. 1989, pp. 238-246.
- McGahan et al., (1995) "Percutaneous Ultrasound-guided Radiofrequency Electrocautery Ablation of Prostate Tissue in Dogs", Acad Radiol, vol. 2, No. 1: pp. 61-65.
- Mdtech product literature (Dec. 1999) "FlexStrand": product description, 1 page.
- MDTECH product literature (Mar. 2000) I'D Wire: product description, 1 page.
- Medtrex Brochure "The O.R. Pro 300" 1 page, Sep. 1998.
- Michael Choti, "Abdominoperineal Resection with the LigaSure™ Vessel Sealing System and LigaSure™ Atlas 20 cm Open Instrument" Innovations That Work, Jun. 2003.
- Murakami, R. et al., (1995). "Treatment of Hepatocellular Carcinoma: Value of Percutaneous Microwave Coagulation," American Journal of Radiology (AJR) 164:1159-1164.
- Ni Wei et al., "A Signal Processing Method for the Coriolis Mass Flowmeter Based on a Normalized . . ." Journal of Applied Sciences Yingyong Kexue Xuebao, Shanghai CN, vol. 23, No. 2:(2005-03); pp. 160-184.
- Ogden, "Goertzel Alternative to the Fourier Transform" Jun. 1993 pp. 485-487 Electronics World; Reed Business Publishing, Sutton, Surrey, BG, vol. 99, No. 9, 1687.
- Organ, L. W., "Electrophysiologic Principles of Radiofrequency Lesion Making" Appl. Neurophysiol, vol. 39: pp. 69-76 (1976/77).
- P.R. Stauffer et al., "Interstitial Heating Technologies", Thermoradiotherapy and Thermochemotherapy (1995) vol. I, Biology, Physiology, Physics, pp. 279-320.
- R. Gennari et al., (Jun. 2000) "Use of Technetium-99m-Labeled Colloid Albumin for Preoperative and Intraoperative Localization of Non palpable Breast Lesions," American College of Surgeons. 190(6):692-699.
- Valleylab Brochure, "Reducing Needlestick Injuries in the Operating Room" 1 page, Mar. 2001.
- Reidenbach, (1995) "First Experimental Results with Special Applicators for High-Frequency Interstitial Thermotherapy", Society Minimally Invasive Therapy, 4(Suppl 1):40 (Abstr).
- Richard Wolf Medical Instruments Corp. Brochure, "Kleppinger Bipolar Forceps & Bipolar Generator" 3 pages, Jan. 1989.
- Solbiati et al., (2001) "Percutaneous Radio-frequency Ablation of Hepatic Metastases from Colorectal Cancer: Long-term Results in 117 Patients", Radiology, vol. 221, pp. 159-166.
- Solbiati et al. (1995) "Percutaneous US-guided RF Tissue Ablation of Liver Metastases: Long-term Follow-up", Radiology, pp. 195-203.
- Stuart W. Young, Nuclear Magnetic Resonance Imaging—Basic Principles, Raven Press, New York, 1984.
- Sugita et al., "Bipolar Coagulator with Automatic Thermocontrol" J. Neurosurg., vol. 41, Dec. 1944, pp. 777-779.
- Sylvain Labonte et al., "Monopole Antennas for Microwave Catheter Ablation", IEEE Trans. on Microwave Theory and Techniques, vol. 44, No. 10, pp. 1832-1840, Oct. 1995.
- T. Matsukawa et al., "Percutaneous Microwave Coagulation Therapy in Liver Tumors", Acta Radiologica, vol. 38, pp. 410-415, 1997.
- T. Seki et al., (1994) "Ultrasonically Guided Percutaneous Microwave Coagulation Therapy for Small Hepatocellular Carcinoma," Cancer 74(3):817-825.
- Urologix, Inc.—Medical Professionals: Targis™ Technology (Date Unknown). "Overcoming the Challenge" located at: <<http://www.urologix.com/medicaltechnology.html>> Nov. 18, 1999; 3 pages.
- Urrutia et al., (1988). "Retractable-Barb Needle for Breast Lesion Localization: Use in 60 Cases," Radiology 169(3):845-847.
- Valleylab Brochure, "Valleylab Electrosheild Monitoring System" 2 pages, Nov. 1995.
- ValleyLab Brochure, "Electrosurgery: A Historical Overview", Innovations in Electrosurgery, 1999.
- Vallfors et al., "Automatically Controlled Bipolar Electrocoagulation—'COA-COMP'" Neurosurgical Review 7:2-3 (1984) pp. 187-190.
- Wald et al., "Accidental Burns", JAMA, Aug. 16, 1971, vol. 217, No. 7, pp. 916-921.
- Walt Boyles, "Instrumentation Reference Book", 2002, Butterworth-Heinemann, pp. 262-264.
- Wonnell et al., "Evaluation of Microwave and Radio Frequency Catheter Ablation in a Myocardium-Equivalent Phantom Model", IEEE Transactions on Biomedical Engineering, vol. 39, No. 10, Oct. 1992; pp. 1086-1095.
- Int'l Search Report EP 98944778.4 dated Oct. 31, 2000.
- Int'l Search Report EP 98957771 dated Aug. 9, 2001.
- Int'l Search Report EP 98957773 dated Aug. 1, 2001.
- Int'l Search Report EP 98958575.7 dated Sep. 20, 2002.
- Int'l Search Report EP 04013772.1 dated Apr. 1, 2005.
- Int'l Search Report EP 04027314.6 dated Mar. 10, 2005.
- Int'l Search Report EP 04027479.7 dated Mar. 8, 2005.
- Int'l Search Report EP 04027705.5 dated Feb. 3, 2005.
- Int'l Search Report EP 04709033.7 dated Dec. 8, 2010.
- Int'l Search Report EP 04752343.6 dated Jul. 20, 2007.
- Int'l Search Report EP 05002671.5 dated Dec. 22, 2008.
- Int'l Search Report EP 05002674.9 dated Jan. 16, 2009.
- Int'l Search Report EP 05004431.2 dated Jun. 2, 2005.
- Int'l Search Report EP 05013463.4 dated Oct. 7, 2005.
- Int'l Search Report EP 05013894 dated Feb. 3, 2006.
- Int'l Search Report EP 05013895.7 dated Oct. 21, 2005.
- Int'l Search Report EP 05016399.7 dated Jan. 13, 2006.
- Int'l Search Report EP 05017281.6 dated Nov. 24, 2005.
- Int'l Search Report EP 05019130.3 dated Oct. 27, 2005.
- Int'l Search Report EP 05019429.9 dated May 6, 2008.
- Int'l Search Report EP 05020532 dated Jan. 10, 2006.
- Int'l Search Report EP 05020665.5 dated Feb. 27, 2006.
- Int'l Search Report EP 05020666.3 dated Feb. 27, 2006.
- Int'l Search Report EP 05021197.8 dated Feb. 20, 2006.
- Int'l Search Report EP 05021779.3 dated Feb. 2, 2006.
- Int'l Search Report EP 05021780.1 dated Feb. 23, 2006.
- Int'l Search Report EP 05021937.7 dated Jan. 23, 2006.
- Int'l Search Report—extended—EP 05021937.7 dated Mar. 15, 2006.
- Int'l Search Report EP 05023017.6 dated Feb. 24, 2006.
- Int'l Search Report EP 06002279.5 dated Mar. 30, 2006.
- Int'l Search Report EP 06005185.1 dated May 10, 2006.
- Int'l Search Report EP 06006716.2 dated Aug. 4, 2006.
- Int'l Search Report EP 06008515.6 dated Jan. 8, 2009.
- Int'l Search Report EP 06008779.8 dated Jul. 13, 2006.
- Int'l Search Report EP 06014461.5 dated Oct. 31, 2006.
- Int'l Search Report EP 06020574.7 dated Oct. 2, 2007.
- Int'l Search Report EP 06020583.8 dated Feb. 7, 2007.
- Int'l Search Report EP 06020584.6 dated Feb. 1, 2007.
- Int'l Search Report EP 06020756.0 dated Feb. 16, 2007.
- Int'l Search Report EP 06 024122.1 dated Apr. 16, 2007.

Int'l Search Report EP 06024123.9 dated Mar. 6, 2007.  
Int'l Search Report EP 07 001480.8 dated Apr. 19, 2007.  
Int'l Search Report EP 07 001488.1 dated Jun. 5, 2007.  
Int'l Search Report EP 07 004429.2 dated Nov. 2, 2010.  
Int'l Search Report EP 07 009026.1 dated Oct. 8, 2007.  
Int'l Search Report Extended—EP 07 009029.5 dated Jul. 20, 2007.  
Int'l Search Report EP 07 009321.6 dated Aug. 28, 2007.  
Int'l Search Report EP 07 010672.9 dated Oct. 16, 2007.  
Int'l Search Report EP 07 013779.9 dated Oct. 26, 2007.  
Int'l Search Report EP 07 014016 dated Jan. 28, 2008.  
Int'l Search Report EP 07 015191.5 dated Jan. 23, 2008.  
Int'l Search Report EP 07 015601.3 dated Jan. 4, 2008.  
Int'l Search Report EP 07 016911 dated May 28, 2010.  
Int'l Search Report EP 07 016911.5 extended dated Mar. 2, 2011.  
Int'l Search Report EP 07 020283.3 dated Feb. 5, 2008.  
Int'l Search Report EP 07 021646.0 dated Mar. 20, 2008.  
Int'l Search Report EP 07 021646.0 dated Jul. 9, 2008.  
Int'l Search Report EP 07 021647.8 dated May 2, 2008.  
Int'l Search Report EP 08 002692.5 dated Dec. 12, 2008.  
Int'l Search Report EP 08 004655.0 dated Jun. 24, 2008.  
Int'l Search Report EP 08 006732.5 dated Jul. 29, 2008.  
Int'l Search Report EP 08 006917.2 dated Jul. 3, 2008.  
Int'l Search Report EP 08 016539.2 dated Jan. 8, 2009.  
Int'l Search Report EP 08 020528.9 dated Aug. 4, 2009.  
Int'l Search Report EP 08 020807.7 dated Apr. 24, 2009.  
Int'l Search Report EP 09 003677.3 dated May 4, 2009.  
Int'l Search Report EP 09 003813.4 dated Aug. 3, 2009.  
Int'l Search Report EP 09 004491.8 dated Sep. 9, 2009.  
Int'l Search Report EP 09 005051.9 dated Jul. 6, 2009.  
Int'l Search Report EP 09 005575.7 dated Sep. 9, 2009.  
Int'l Search Report EP 09 010521.4 dated Dec. 16, 2009.  
Int'l Search Report EP 09 011745.8 dated Jan. 5, 2010.  
Int'l Search Report EP 09 012629.3 dated Dec. 8, 2009.  
Int'l Search Report EP 09 012687.1 dated Dec. 23, 2009.  
Int'l Search Report EP 09 012688.9 dated Dec. 28, 2009.  
Int'l Search Report EP 09 015215.8 dated Feb. 24, 2010.  
Int'l Search Report EP 09 152267.2 dated Jun. 15, 2009.  
Int'l Search Report EP 09 152898.4 dated Jun. 10, 2009.  
Int'l Search Report EP 09 154850.3 dated Jul. 20, 2009.  
Int'l Search Report EP 09 160476.9 dated Aug. 4, 2009.  
Int'l Search Report EP 09 164903.8 dated Aug. 21, 2009.  
Int'l Search Report EP 09 165753.6 dated Nov. 11, 2009.  
Int'l Search Report EP 09 168153.6 dated Jan. 14, 2010.  
Int'l Search Report EP 09 168810.1 dated Feb. 2, 2010.  
Int'l Search Report EP 09 172749.5 dated Dec. 4, 2009.  
Int'l Search Report EP 10 000259.1 dated Jun. 30, 2010.  
Int'l Search Report EP 10 011750.6 dated Feb. 1, 2011.  
Int'l Search Report EP 10 157500.9 dated Jul. 30, 2010.  
Int'l Search Report EP 10 159205.3 dated Jul. 7, 2010.  
Int'l Search Report EP 10 160870.1 dated Aug. 9, 2010.  
Int'l Search Report EP 10 161596.1 dated Jul. 28, 2010.  
Int'l Search Report EP 10 167655.9 dated Aug. 31, 2011.  
Int'l Search Report EP 10 168705.1 dated Oct. 4, 2010.  
Int'l Search Report EP 10 169647.4 dated Oct. 29, 2010.  
Int'l Search Report EP 10 172005.0 dated Sep. 30, 2010.  
Int'l Search Report EP 10 175559.3 dated May 25, 2012.  
Int'l Search Report EP 10 175956.1 dated Nov. 12, 2010.  
Int'l Search Report EP 10 181034.9 dated Jan. 26, 2011.  
Int'l Search Report EP 10 181575.1 dated Apr. 5, 2011.  
Int'l Search Report EP 10 181969.6 dated Feb. 4, 2011.  
Int'l Search Report EP 10 182019.9 dated Aug. 22, 2011.  
Int'l Search Report EP 10 182022.3 dated Mar. 11, 2011.  
Int'l Search Report EP 10 185386.9 dated Jan. 10, 2011.  
Int'l Search Report EP 10 185405.7 dated Jan. 5, 2011.  
Int'l Search Report EP 10 186527.7 dated Jun. 17, 2011.  
Int'l Search Report EP 10 189206.5 dated Mar. 17, 2011.  
Int'l Search Report EP 10 191320.0 dated Feb. 15, 2011.  
Int'l Search Report EP 11 006233.8 dated Feb. 2, 2012.  
Int'l Search Report EP 11 007972.0 dated Dec. 28, 2011.  
Int'l Search Report EP 11 151509.4 dated Jun. 6, 2011.  
Int'l Search Report EP 11 152220.7 dated May 19, 2011.  
Int'l Search Report EP 11 152360.1 dated Jun. 6, 2011.  
Int'l Search Report EP 11 153503.5 dated Mar. 5, 2012.  
Int'l Search Report EP 11 159771.2 dated May 28, 2010.  
Int'l Search Report EP 11 161117.4 dated Jun. 30, 2011.  
Int'l Search Report EP 11 161118.2 dated Oct. 12, 2011.  
Int'l Search Report EP 11 164274.0 dated Aug. 3, 2011.  
Int'l Search Report EP 11 164275.7 dated Aug. 25, 2011.  
Int'l Search Report EP 11 167437.0 dated Aug. 8, 2011.  
Int'l Search Report EP 11 168419.7 dated Oct. 20, 2011.  
Int'l Search Report EP 11 168458.5 dated Jul. 29, 2011.  
Int'l Search Report EP 11 173008.1 dated Nov. 4, 2011.  
Int'l Search Report EP 11 179514 dated Nov. 4, 2011.  
Int'l Search Report EP 11 180182.5 dated Nov. 15, 2011.  
Int'l Search Report EP 11 180183 dated Nov. 30, 2011.  
Int'l Search Report EP 11 183265.5 dated Nov. 28, 2011.  
Int'l Search Report EP 11 183476.8 dated Jan. 18, 2012.  
Int'l Search Report EP 11 185028.5 dated Jan. 2, 2012.  
Int'l Search Report EP 11 189521.5 dated Feb. 20, 2012.  
Int'l Search Report EP 11 190723.4 dated Mar. 16, 2012.  
Int'l Search Report EP 12 155726.8 dated May 25, 2012.  
Int'l Search Report EP 12 155728.4 dated Jul. 4, 2012.  
Int'l Search Report PCT/US98/18640 dated Jan. 29, 1999.  
Int'l Search Report PCT/US98/23950 dated Jan. 14, 1999.  
Int'l Search Report PCT/US98/24281 dated Feb. 22, 1999.  
Int'l Search Report PCT/US99/24869 dated Feb. 3, 2000.  
Int'l Search Report PCT/US01/11218 dated Aug. 14, 2001.  
Int'l Search Report PCT/US01/11224 dated Nov. 13, 2001.  
Int'l Search Report PCT/US01/11340 dated Aug. 16, 2001.  
Int'l Search Report PCT/US01/11420 dated Oct. 16, 2001.  
Int'l Search Report PCT/US02/01890 dated Jul. 25, 2002.  
Int'l Search Report PCT/US02/11100 dated Jul. 16, 2002.  
Int'l Search Report PCT/US03/08146 dated Aug. 8, 2003.  
Int'l Search Report PCT/US03/18674 dated Sep. 18, 2003.  
Int'l Search Report PCT/US03/18676 dated Sep. 19, 2003.  
Int'l Search Report PCT/US03/28534 dated Dec. 19, 2003.  
Int'l Search Report PCT/US03/28539 dated Jan. 6, 2004.  
Int'l Search Report PCT/US04/03436 dated Mar. 3, 2005.  
Int'l Search Report PCT/US04/13273 dated Dec. 15, 2004.  
Int'l Search Report PCT/US04/15311 dated Jan. 12, 2005.  
Int'l Search Report PCT/US07/021438 dated Apr. 1, 2008.  
Int'l Search Report PCT/US07/021440 dated Apr. 8, 2008.  
Int'l Search Report PCT/US08/52460 dated Apr. 24, 2008.  
Int'l Search Report PCT/US08/61498 dated Sep. 22, 2008.  
Int'l Search Report PCT/US09/032690 dated Jun. 16, 2009.  
European Search Report EP 98300964.8 dated Dec. 13, 2000.  
European Search Report EP 02786604.5 dated Feb. 10, 2010.  
European Search Report EP 03721482 dated Feb. 6, 2006.  
European Search Report EP 04009964 dated Jul. 28, 2004.  
European Search Report EP 04015980 dated Nov. 3, 2004.  
European Search Report EP 04015981.6 dated Oct. 25, 2004.  
European Search Report EP 04710258 dated Oct. 15, 2004.  
European Search Report EP 04778192.7 dated Jul. 1, 2009.  
European Search Report EP 05002027.0 dated May 12, 2005.  
European Search Report EP 05002769.7 dated Jun. 19, 2006.  
European Search Report EP 05014156.3 dated Jan. 4, 2006.  
European Search Report EP 05019882 dated Feb. 16, 2006.  
European Search Report EP 05021025.1 dated Mar. 13, 2006.  
European Search Report EP 05021777 dated Feb. 23, 2006.  
European Search Report EP 05021935 dated Jan. 27, 2006.  
European Search Report EP 05021936.9 dated Feb. 6, 2006.  
European Search Report EP 05021939 dated Jan. 27, 2006.  
European Search Report EP 05021944.3 dated Jan. 25, 2006.  
European Search Report EP 05022350.2 dated Jan. 30, 2006.  
European Search Report EP 05025423.4 dated Jan. 19, 2007.  
European Search Report EP 05025424 dated Jan. 30, 2007.  
European Search Report EP 05810523 dated Jan. 29, 2009.  
European Search Report EP 06000708.5 dated May 15, 2006.  
European Search Report EP 06005540 dated Sep. 24, 2007.  
European Search Report EP 06006717.0 dated Aug. 11, 2006.  
European Search Report EP 06006961 dated Oct. 22, 2007.  
European Search Report EP 06006963 dated Aug. 4, 2006.  
European Search Report EP 06009435 dated Jul. 13, 2006.  
European Search Report EP 06010499.9 dated Jan. 29, 2008.  
European Search Report EP 06018206.0 dated Oct. 20, 2006.  
European Search Report EP 06019768 dated Jan. 17, 2007.

- European Search Report EP 06022028.2 dated Feb. 13, 2007.  
European Search Report EP 06023756.7 dated Feb. 21, 2008.  
European Search Report EP 06025700.3 dated Apr. 12, 2007.  
European Search Report EP 07000885.9 dated May 15, 2007.  
European Search Report EP 07001481.6 dated May 2, 2007.  
European Search Report EP 07001485.7 dated May 23, 2007.  
European Search Report EP 07001489.9 dated Dec. 20, 2007.  
European Search Report EP 07001491 dated Jun. 6, 2007.  
European Search Report EP 07001527.6 dated May 18, 2007.  
European Search Report EP 07007783.9 dated Aug. 14, 2007.  
European Search Report EP 07008207.8 dated Sep. 13, 2007.  
European Search Report EP 07009028 dated Jul. 16, 2007.  
European Search Report EP 07009322.4 dated Jan. 14, 2008.  
European Search Report EP 07010673.7 dated Oct. 5, 2007.  
European Search Report EP 07015602.1 dated Dec. 20, 2007.  
European Search Report EP 07018375.1 dated Jan. 8, 2008.  
European Search Report EP 07018821 dated Jan. 14, 2008.  
European Search Report EP 07019173.9 dated Feb. 12, 2008.  
European Search Report EP 07019174.7 dated Jan. 29, 2008.  
European Search Report EP 07019178.8 dated Feb. 12, 2008.  
European Search Report EP 07253835.8 dated Dec. 20, 2007.  
European Search Report EP 08001016.8 dated Jan. 4, 2008.  
European Search Report EP 08001019 dated Sep. 23, 2008.  
European Search Report EP 08004974.5 dated Apr. 6, 2011.  
European Search Report EP 08004975 dated Jul. 24, 2008.  
European Search Report EP 08006731.7 dated Jul. 29, 2008.  
European Search Report EP 08006733 dated Jul. 7, 2008.  
European Search Report EP 08006734.1 dated Aug. 18, 2008.  
European Search Report EP 08006735.8 dated Jan. 8, 2009.  
European Search Report EP 08007924.7 partial dated Aug. 17, 2010.  
European Search Report EP 08011282 dated Aug. 14, 2009.  
European Search Report EP 08011705 dated Aug. 20, 2009.  
European Search Report EP 08011705.4 extended dated Nov. 4, 2009.  
European Search Report EP 08012829.1 dated Oct. 29, 2008.  
European Search Report EP 08015842 dated Dec. 5, 2008.  
European Search Report EP 08019920.1 dated Mar. 27, 2009.  
European Search Report EP 08020530.5 dated May 27, 2009.  
European Search Report EP 08169973.8 dated Apr. 6, 2009.  
European Search Report EP 09010873.9 extended dated Nov. 13, 2009.  
European Search Report EP 09010877.0 extended dated Dec. 3, 2009.  
European Search Report EP 09012389.4 dated Jul. 6, 2010.  
European Search Report EP 09151621 dated Jun. 18, 2009.  
European Search Report EP 09156861.8 dated Aug. 4, 2009.  
European Search Report EP 09161502.1 dated Sep. 2, 2009.  
European Search Report EP 09161502.1 extended dated Oct. 30, 2009.  
European Search Report EP 09165976.3 extended dated Mar. 17, 2010.  
European Search Report EP 09166708 dated Oct. 15, 2009.  
European Search Report EP 09166708.9 dated Mar. 18, 2010.  
European Search Report EP 09169376.2 extended dated Dec. 16, 2009.  
European Search Report EP 09172188.6 extended dated Apr. 23, 2010.  
European Search Report EP 09172838.6 extended dated Jan. 20, 2010.  
European Search Report EP 09173268.5 extended dated Jan. 27, 2010.  
European Search Report EP 09704429.1 extended dated Mar. 23, 2011.  
European Search Report EP 10001767.2 extended dated Jun. 18, 2010.  
European Search Report EP 10004950.1 extended dated Jul. 2, 2010.  
European Search Report EP 10004951.9 extended dated Jul. 2, 2010.  
European Search Report EP 10005533.4 extended dated Sep. 24, 2010.  
European Search Report EP 10005534.2 extended dated Sep. 17, 2010.  
European Search Report EP 10006373.4 extended dated Oct. 11, 2010.  
European Search Report EP 10008139.7 extended dated Nov. 30, 2010.  
European Search Report EP 10008140.5 extended dated Dec. 28, 2010.  
European Search Report EP 10008533.1 extended dated Dec. 20, 2010.  
European Search Report EP 10008850.9 extended dated Nov. 30, 2010.  
European Search Report EP 10009392.1 extended dated Sep. 19, 2011.  
European Search Report EP 10009731.0 extended dated Jan. 28, 2011.  
European Search Report EP 10009732.8 extended dated Jan. 26, 2011.  
European Search Report EP 10010943.8 extended dated Feb. 1, 2011.  
European Search Report EP 10014042.5 extended dated Feb. 18, 2011.  
European Search Report EP 10014080.5 extended dated Mar. 17, 2011.  
European Search Report EP 10014081.3 extended dated Mar. 17, 2011.  
European Search Report EP 10014705.7 extended dated Apr. 27, 2011.  
European Search Report EP 10158944.8 extended dated Jun. 21, 2010.  
European Search Report EP 10161722.3 extended dated Jun. 16, 2010.  
European Search Report EP 10163235.4 dated Aug. 10, 2010.  
European Search Report EP 10172634.7 dated Nov. 9, 2010.  
European Search Report EP 10185413.1 dated Dec. 7, 2010.  
European Search Report EP 10185413.1 dated Mar. 14, 2011.  
European Search Report EP 10191321.8 dated Apr. 7, 2011.  
European Search Report EP 11000548.5 extended dated Apr. 14, 2011.  
European Search Report EP 11000669.9 extended dated Jun. 30, 2011.  
European Search Report EP 11001596.3 extended dated Jul. 4, 2011.  
European Search Report EP 11001872.8 extended dated Jul. 6, 2011.  
European Search Report EP 11004942 dated Oct. 4, 2011.  
European Search Report EP 11009036.2 dated Feb. 13, 2012.  
European Search Report EP 11010024.5 dated Apr. 20, 2012.  
European Search Report EP 11010046.8 dated Apr. 17, 2012.  
European Search Report EP 11010093.0 dated Mar. 27, 2012.  
European Search Report EP 11010175.5 dated May 10, 2012.  
European Search Report EP 11010176.3 dated Apr. 2, 2012.  
European Search Report EP 11010177.1 dated May 10, 2012.  
European Search Report EP 11174318.3 dated Nov. 7, 2011.  
European Search Report EP 11185926.0 dated Feb. 3, 2012.  
European Search Report EP 12000334.8 dated May 4, 2012.  
European Search Report EP 12000335.5 dated May 10, 2012.  
European Search Report EP 12000336.3 dated May 14, 2012.  
European Search Report EP 12001841.1 dated Jul. 16, 2012.  
International Search Report PCT/US97/05066 dated Jun. 24, 1997.  
International Search Report PCT/US03/09483 dated Aug. 13, 2003.  
International Search Report PCT/US03/22900 dated Dec. 2, 2003.  
International Search Report PCT/US03/37110 dated Jul. 25, 2005.  
International Search Report PCT/US03/37111 dated Jul. 28, 2004.  
International Search Report PCT/US03/37310 dated Aug. 13, 2004.  
International Search Report PCT/US04/04685 dated Aug. 27, 2004.  
International Search Report PCT/US05/36168 dated Aug. 28, 2006.  
International Search Report PCT/US09/31658 dated Mar. 11, 2009.  
International Search Report PCT/US10/032796 dated Jul. 28, 2010.

\* cited by examiner



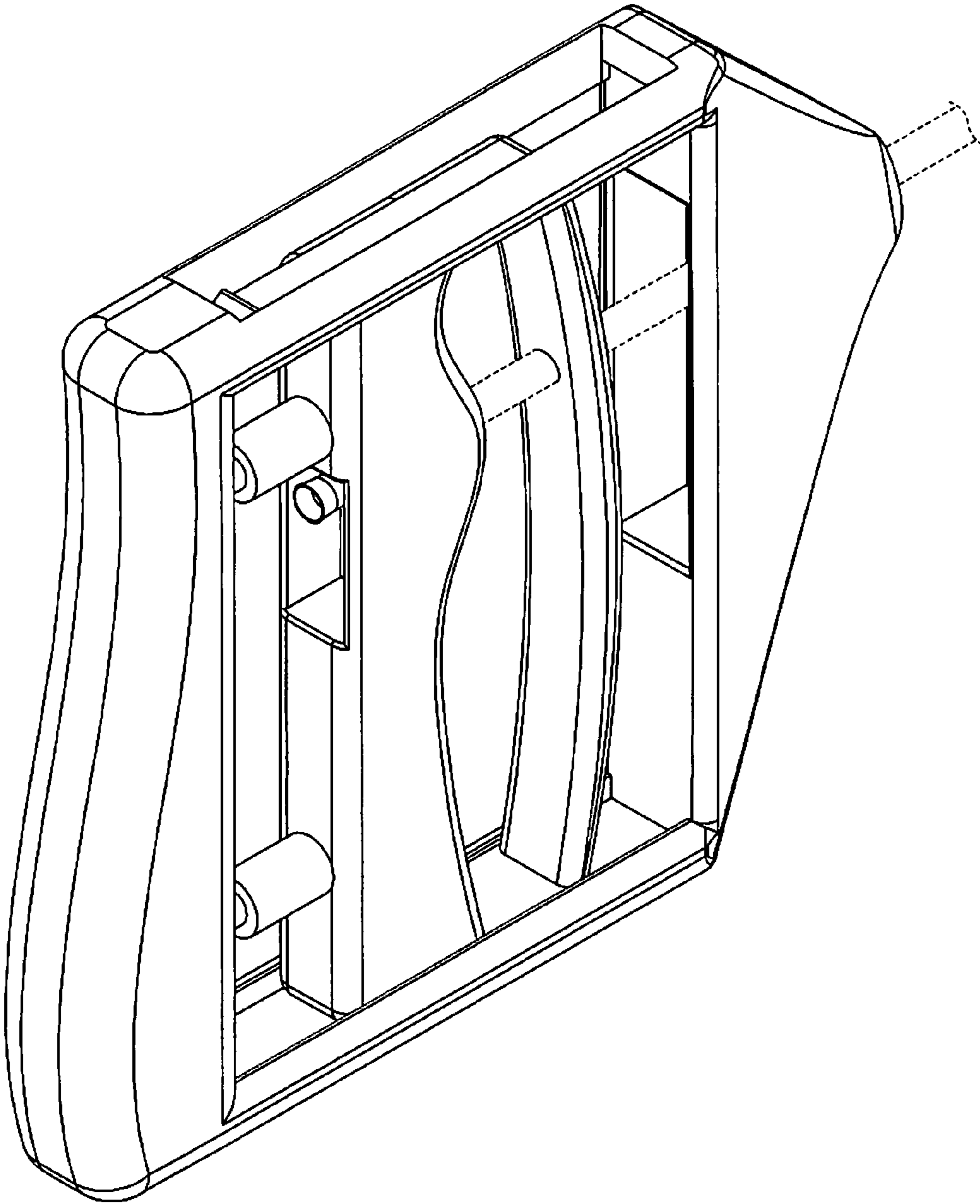


FIG. 1

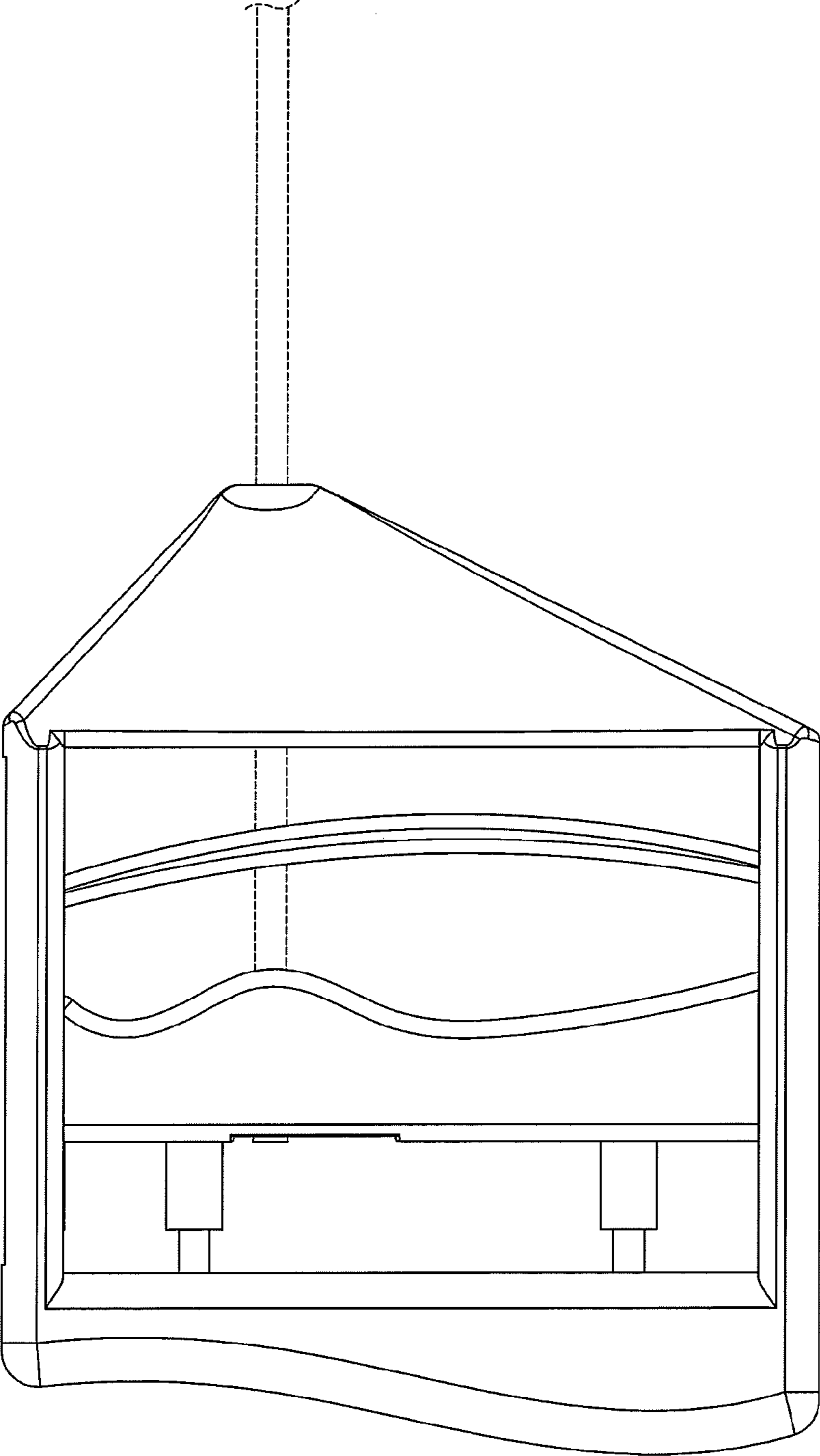


FIG. 2

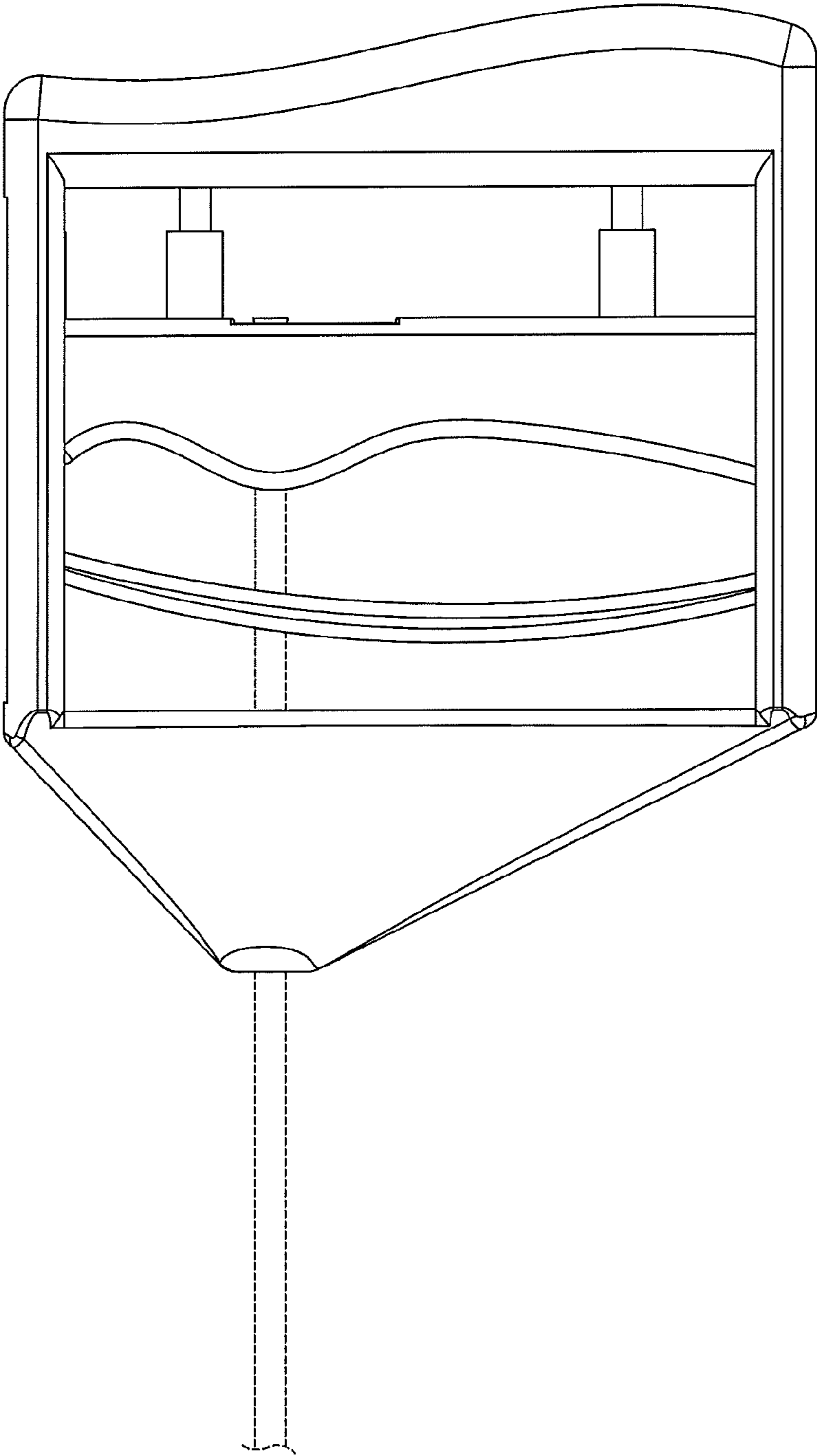


FIG. 3

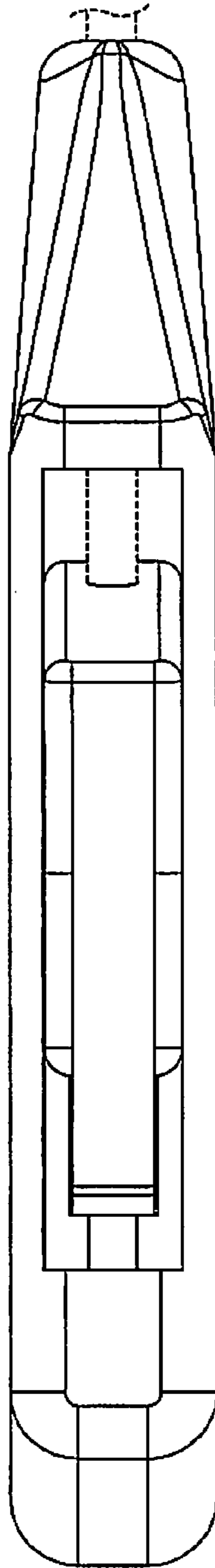


FIG. 4

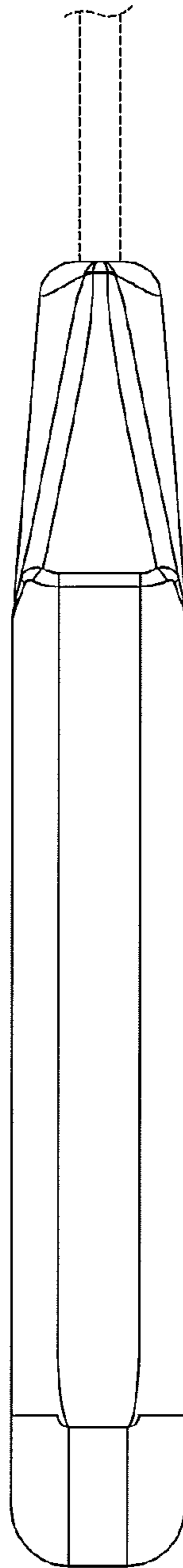
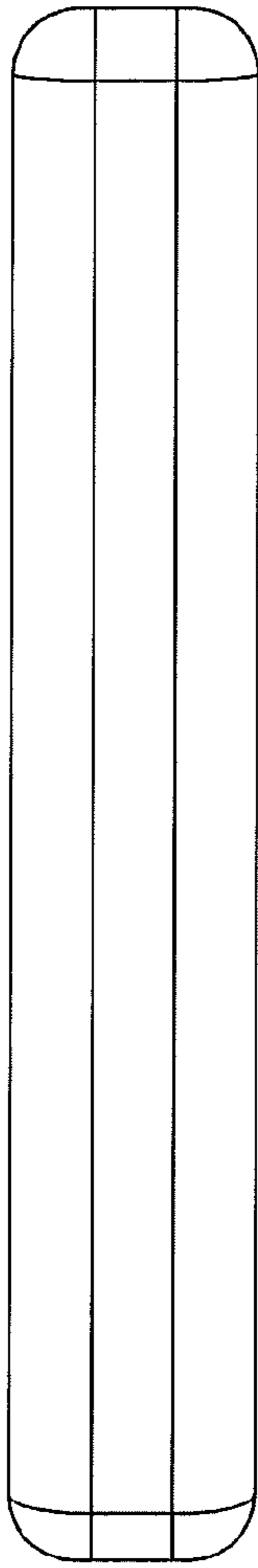


FIG. 5



**FIG. 6**

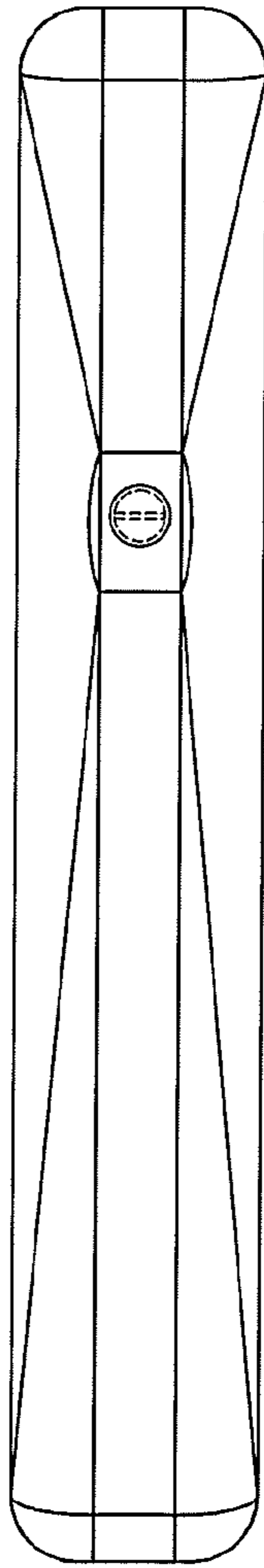


FIG. 7