



US00D680219S

(12) **United States Design Patent**
Davies et al.

(10) **Patent No.:** **US D680,219 S0**

(45) **Date of Patent:** **** Apr. 16, 2013**

(54) **CURVED ELECTROSURGICAL DEVICE**

(75) Inventors: **Gareth Davies**, Toronto (CA);
Mahmood Mirza, North York (CA)

(73) Assignee: **Baylis Medical Company Inc.**,
Montreal (CA)

(**) Term: **14 Years**

(21) Appl. No.: **29/402,621**

(22) Filed: **Sep. 25, 2011**

(51) **LOC (9) Cl.** **24-02**

(52) **U.S. Cl.**
USPC **D24/144**

(58) **Field of Classification Search** D24/144-147,
D24/170; 606/32-34, 40-41, 46-50; D19/65;
D8/349, 356, 370, 395; D11/209, 211; 24/26,
24/29, 39; 248/302

See application file for complete search history.

(56) **References Cited**

U.S. PATENT DOCUMENTS

5,545,200	A *	8/1996	West et al.	606/46
5,582,609	A *	12/1996	Swanson et al.	606/39
5,626,136	A *	5/1997	Webster, Jr.	600/373
5,897,553	A *	4/1999	Mulier et al.	606/41
5,916,214	A *	6/1999	Cosio et al.	606/41
6,002,955	A *	12/1999	Willems et al.	600/374
6,156,018	A *	12/2000	Hassett	606/41
6,702,811	B2 *	3/2004	Stewart et al.	606/41
6,811,544	B2 *	11/2004	Schaer	606/41
7,048,733	B2	5/2006	Hartley et al.	
7,122,034	B2	10/2006	Belhe et al.	
7,824,403	B2 *	11/2010	Vaska et al.	606/41
2011/0125145	A1 *	5/2011	Mody et al.	606/33
2011/0224666	A1 *	9/2011	Davies et al.	606/33

FOREIGN PATENT DOCUMENTS

WO 2010092347 8/2010

* cited by examiner

Primary Examiner — Wan Laymon

(74) *Attorney, Agent, or Firm* — Nir Lifshitz; Glenn Arnold

(57) **CLAIM**

The ornamental design for a curved electrosurgical device, as shown and described.

DESCRIPTION

FIG. 1 is a front, left and top perspective view of a curved electrosurgical device, showing our new design;

FIG. 2 is a rear view of the curved electrosurgical device of FIG. 1;

FIG. 3 is a front view of the curved electrosurgical device of FIG. 1;

FIG. 4 is a top plan view of the curved electrosurgical device of FIG. 1;

FIG. 5 is a bottom view of the curved electrosurgical device of FIG. 1;

FIG. 6 is a left side view of the curved electrosurgical device of FIG. 1;

FIG. 7 is a right side view of the curved electrosurgical device of FIG. 1;

FIG. 8 is a front, left and top perspective view of an alternative embodiment of a curved electrosurgical device;

FIG. 9 is a rear view of the curved electrosurgical device of FIG. 8;

FIG. 10 is a front view of the curved electrosurgical device of FIG. 8;

FIG. 11 is a top plan view of the curved electrosurgical device of FIG. 8;

FIG. 12 is a bottom view of the curved electrosurgical device of FIG. 8;

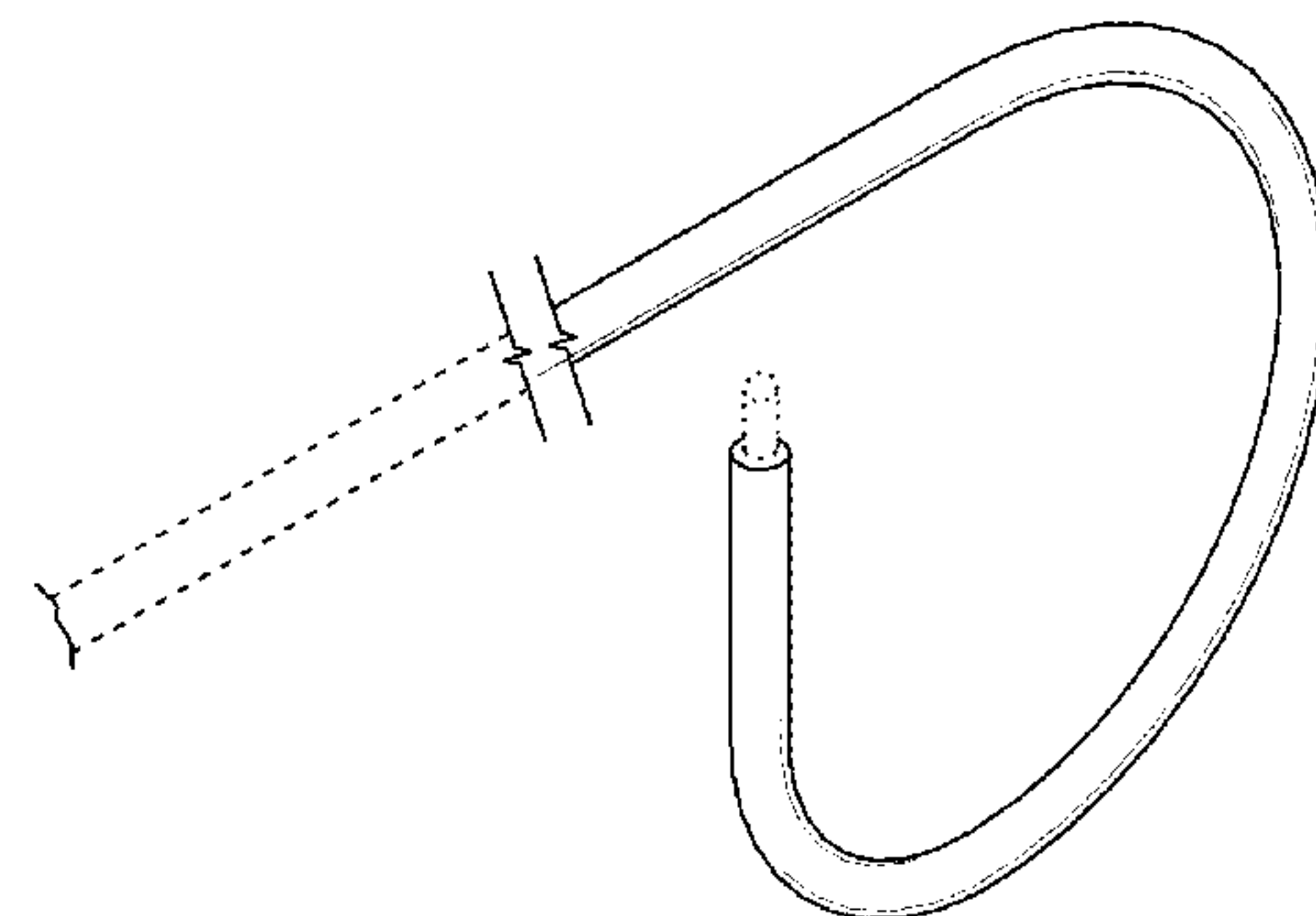
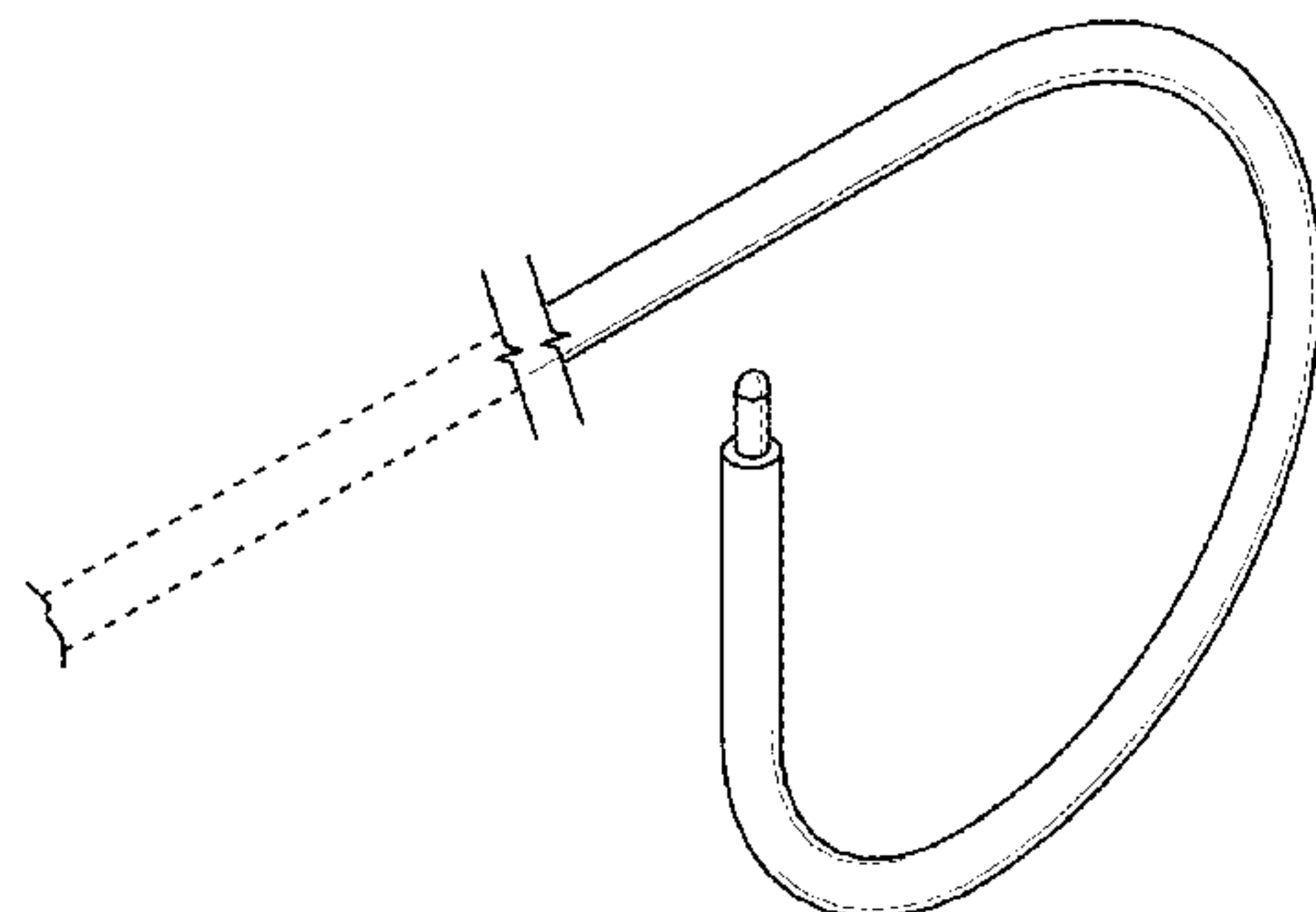
FIG. 13 is a left side view of the curved electrosurgical device of FIG. 8; and,

FIG. 14 is a right side view of the curved electrosurgical device of FIG. 8.

The broken lines immediately adjacent the shaded areas represent the bounds of the claimed design while all other broken lines are directed to environment and are for illustrative purposes only; the broken lines form no part of the claimed design.

The broken away symbols in FIGS. 1-5 and 8-12 indicate that any portion of the article beyond what is shown forms no part of the claimed design.

1 Claim, 4 Drawing Sheets



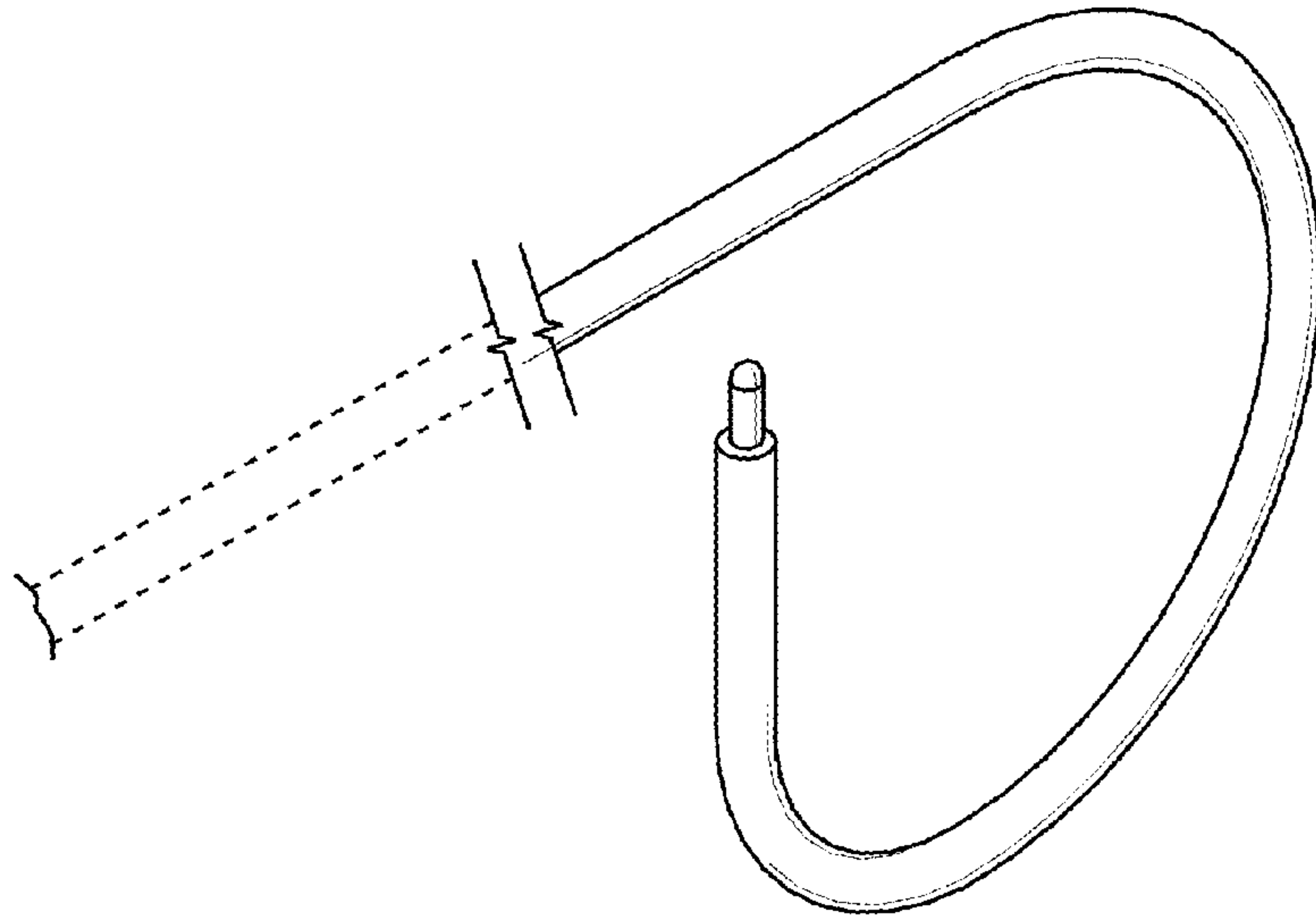


FIG.1

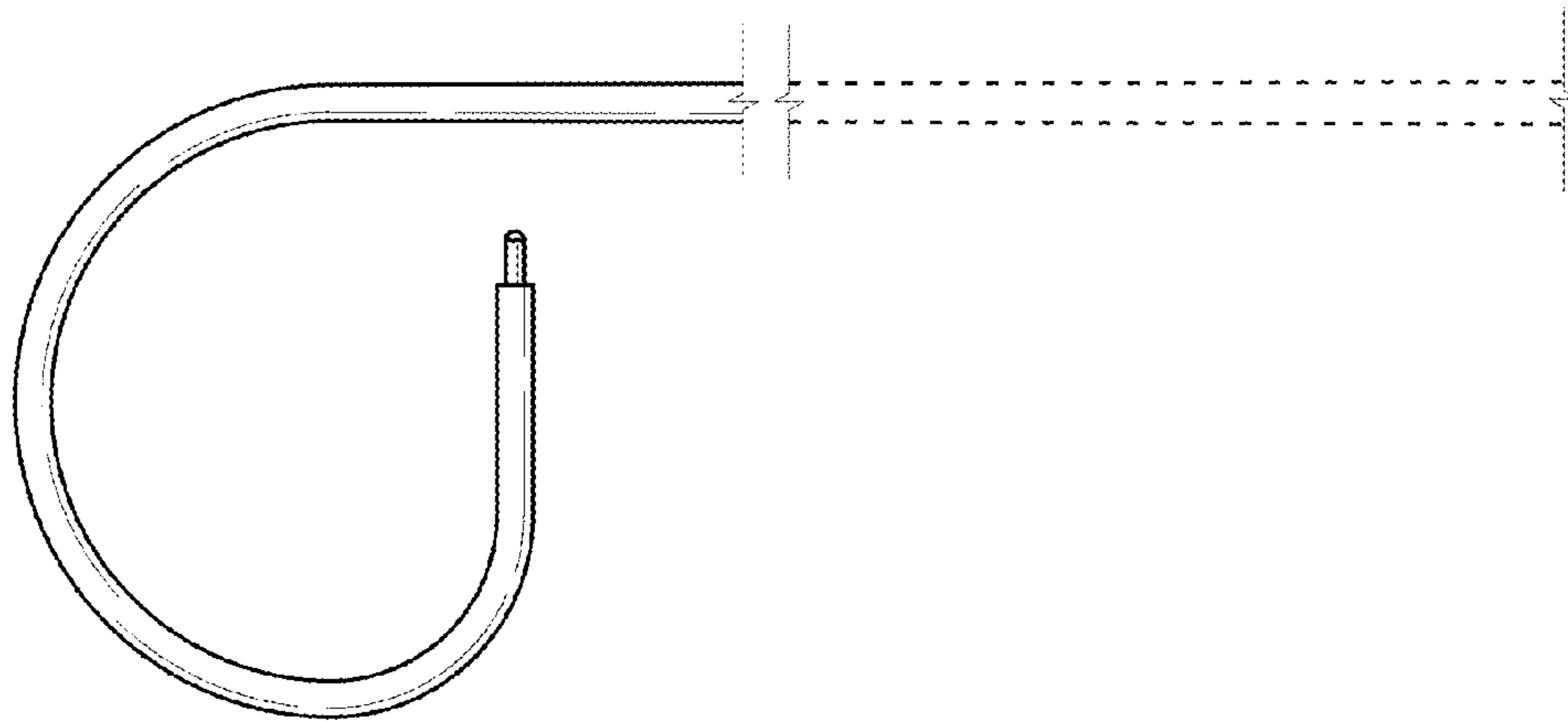


FIG.2

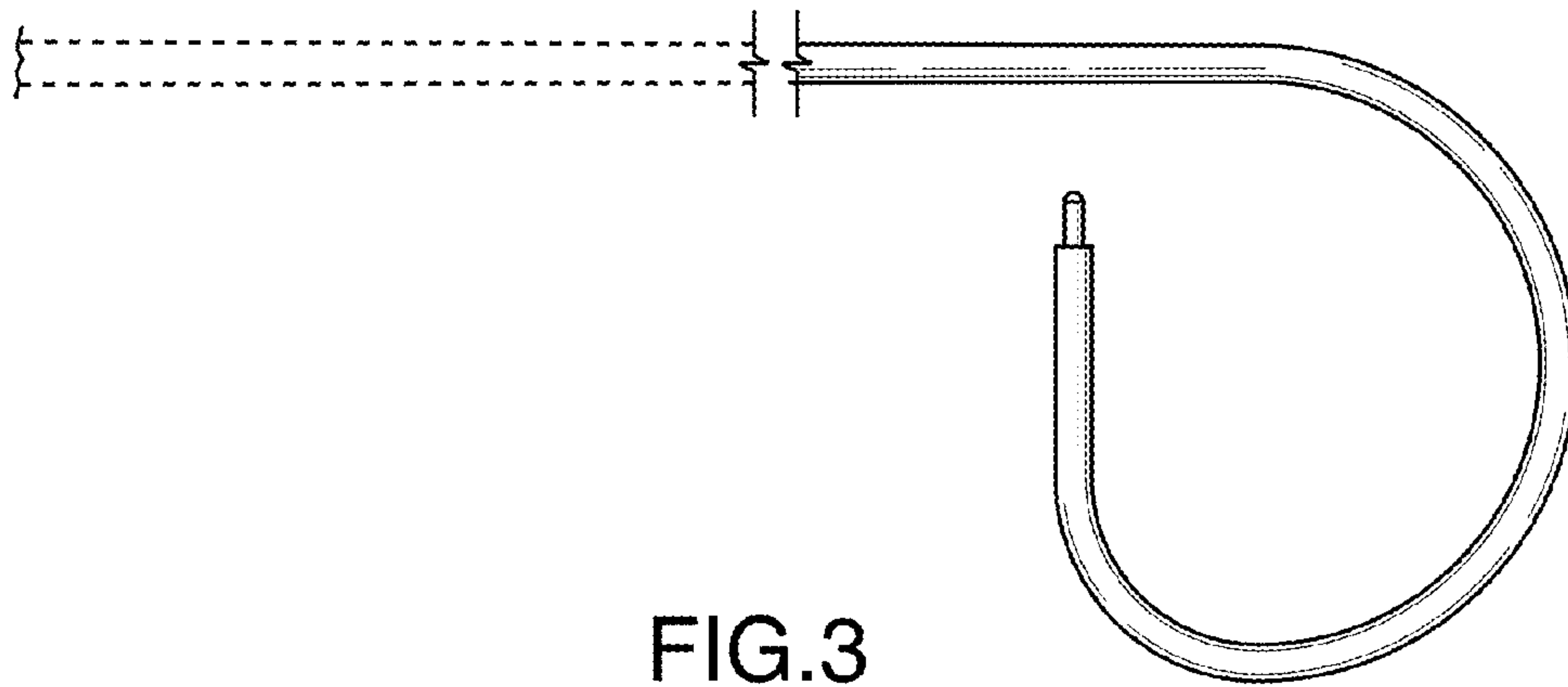


FIG. 3

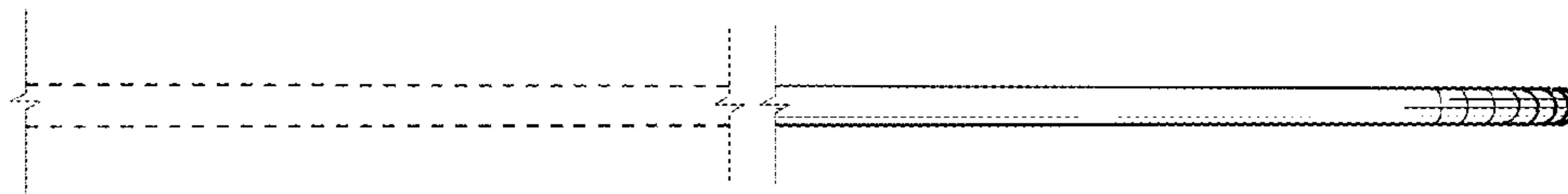


FIG. 4

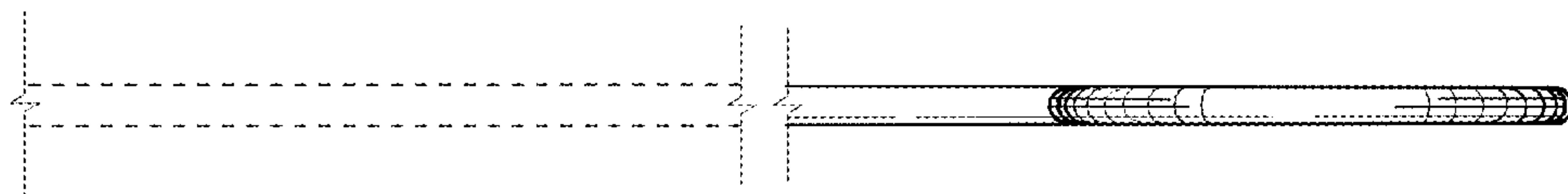


FIG. 5

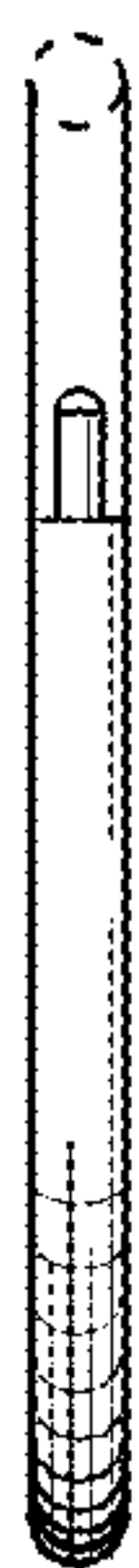


FIG. 6



FIG. 7

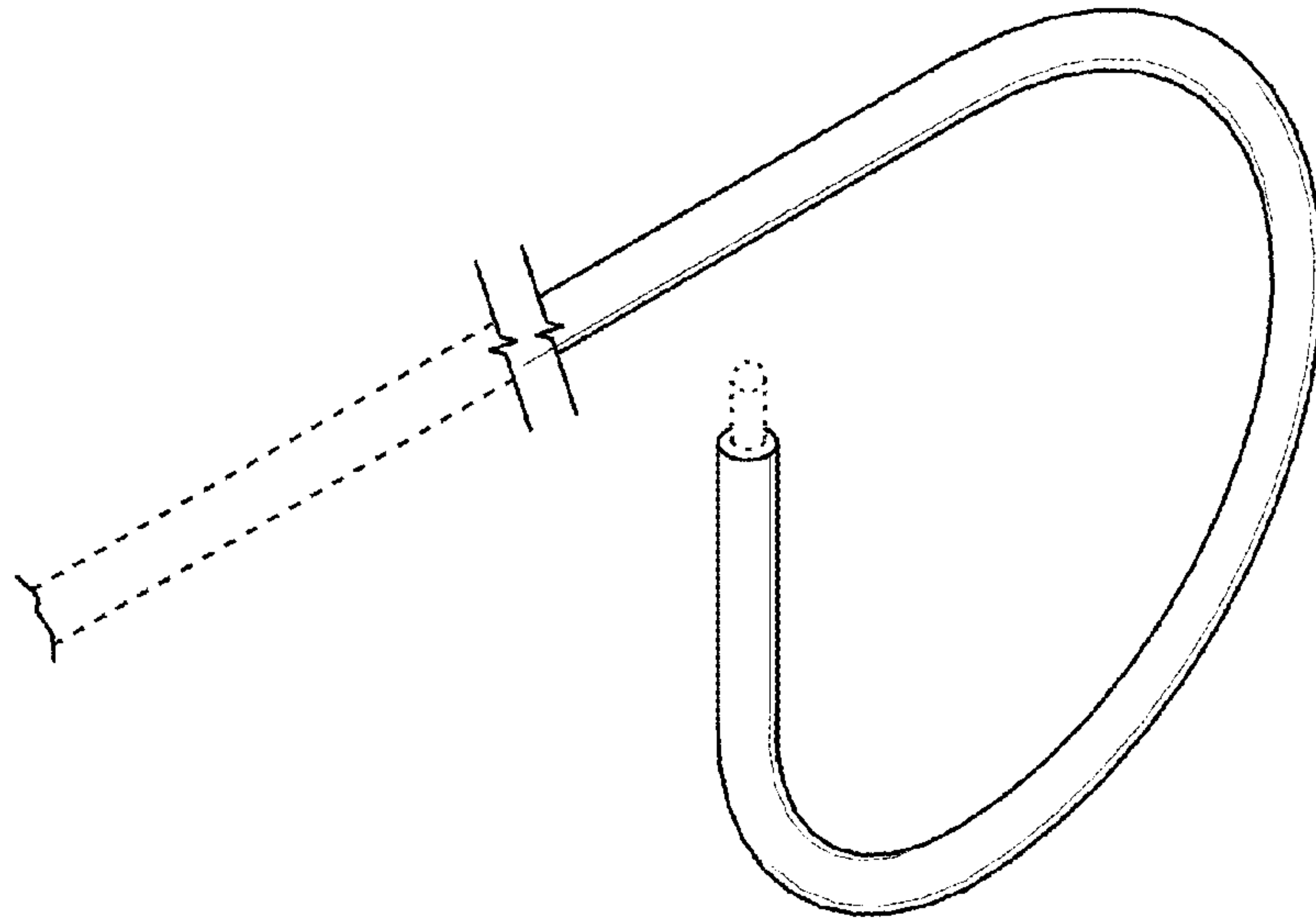


FIG. 8

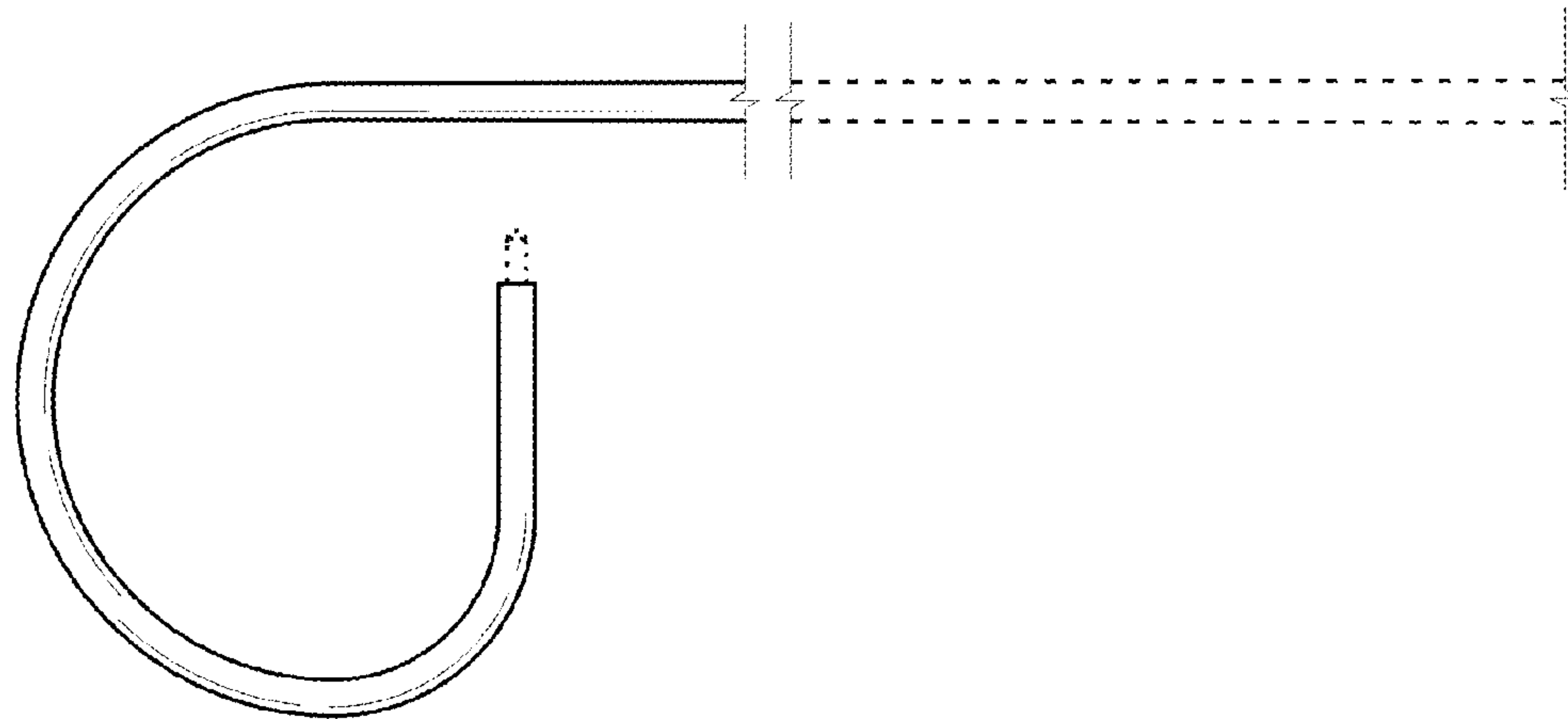


FIG. 9

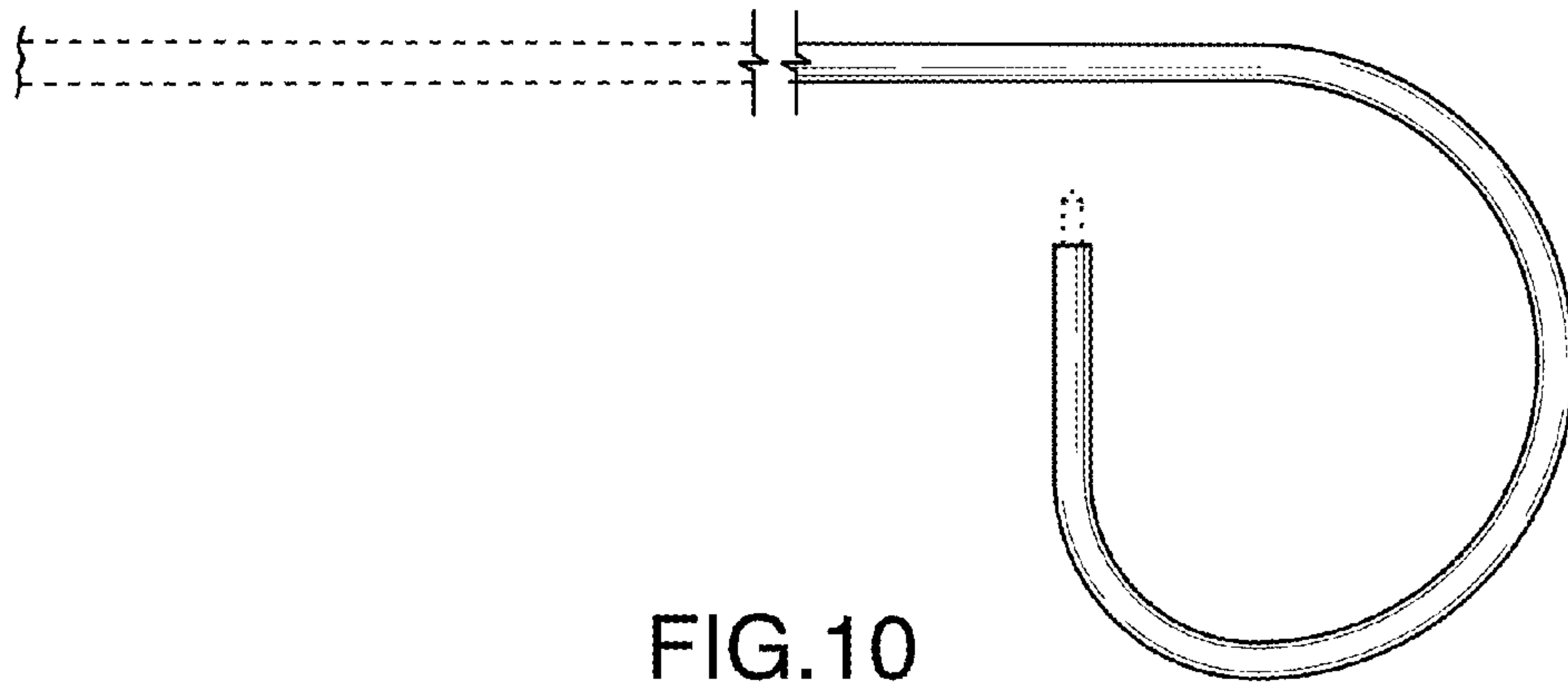


FIG. 10

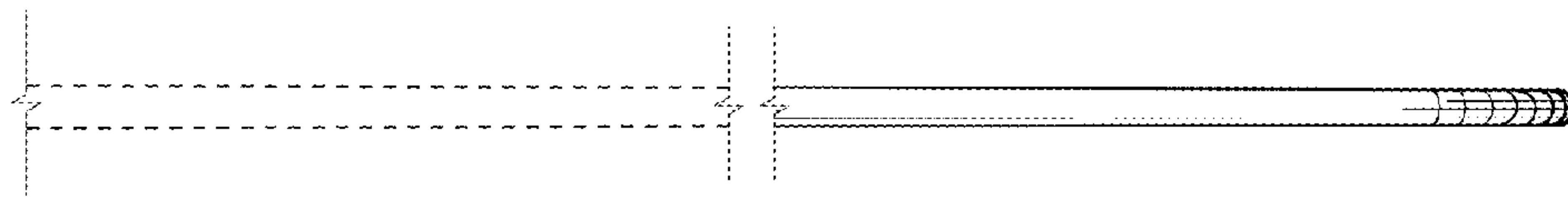


FIG. 11

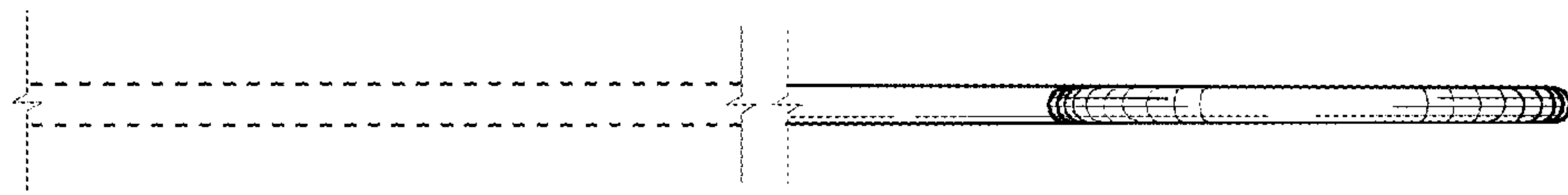


FIG. 12



FIG. 13



FIG. 14