



US00D680218S

(12) **United States Design Patent**
Darian et al.

(10) **Patent No.:** **US D680,218 S**

(45) **Date of Patent:** **** *Apr. 16, 2013**

(54) **ULTRASONIC BONE CUTTING BLADE**

(75) Inventors: **Alexander L. Darian**, Brightwaters, NY (US); **Leonard Lee**, Flushing, NY (US)

(73) Assignee: **Misonix Incorporated**, Farmingdale, NY (US)

(*) Notice: This patent is subject to a terminal disclaimer.

(**) Term: **14 Years**

(21) Appl. No.: **29/384,867**

(22) Filed: **Feb. 4, 2011**

(51) **LOC (9) Cl.** **24-02**

(52) **U.S. Cl.**
USPC **D24/144; D24/146**

(58) **Field of Classification Search** D24/144,
D24/146-147, 170; D8/20, 26, 81, 98, 70;
604/22; 606/1, 79, 85, 167, 169, 170-171;
30/346, 346.5, 353, 355-356; D15/134
See application file for complete search history.

(56) **References Cited**

U.S. PATENT DOCUMENTS

5,188,102	A *	2/1993	Idemoto et al.	604/22
5,261,922	A *	11/1993	Hood	606/167
5,695,510	A *	12/1997	Hood	606/169
5,935,142	A *	8/1999	Hood	606/169
5,935,143	A *	8/1999	Hood	606/169
6,254,622	B1 *	7/2001	Hood	606/169
6,379,371	B1	4/2002	Novak	
6,443,969	B1	9/2002	Novak	
2003/0204199	A1 *	10/2003	Novak et al.	606/169

2005/0273127	A1 *	12/2005	Novak et al.	606/169
2008/0188878	A1 *	8/2008	Young	606/169
2009/0105740	A1 *	4/2009	Lee et al.	606/167

* cited by examiner

Primary Examiner — Wan Laymon

(74) *Attorney, Agent, or Firm* — R. Neil Sudol; Coleman Sudhol Sapone P.C.

(57) **CLAIM**

The ornamental design for the ultrasonic bone cutting blade, as shown and described.

DESCRIPTION

FIG. 1 is a top, rear, and left side perspective view of a first embodiment of an ultrasonic bone cutting blade, showing our new design;

FIG. 2 is a right-side elevational view thereof;

FIG. 3 is a left-side elevational view thereof;

FIG. 4 is a front elevational view thereof;

FIG. 5 is a rear elevational view thereof;

FIG. 6 is a bottom plan view thereof;

FIG. 7 is a top plan view thereof;

FIG. 8 is a top, rear, and left side perspective view of a second embodiment of an ultrasonic bone cutting blade, showing our new design;

FIG. 9 is a right-side elevational view thereof;

FIG. 10 is a left-side elevational view thereof;

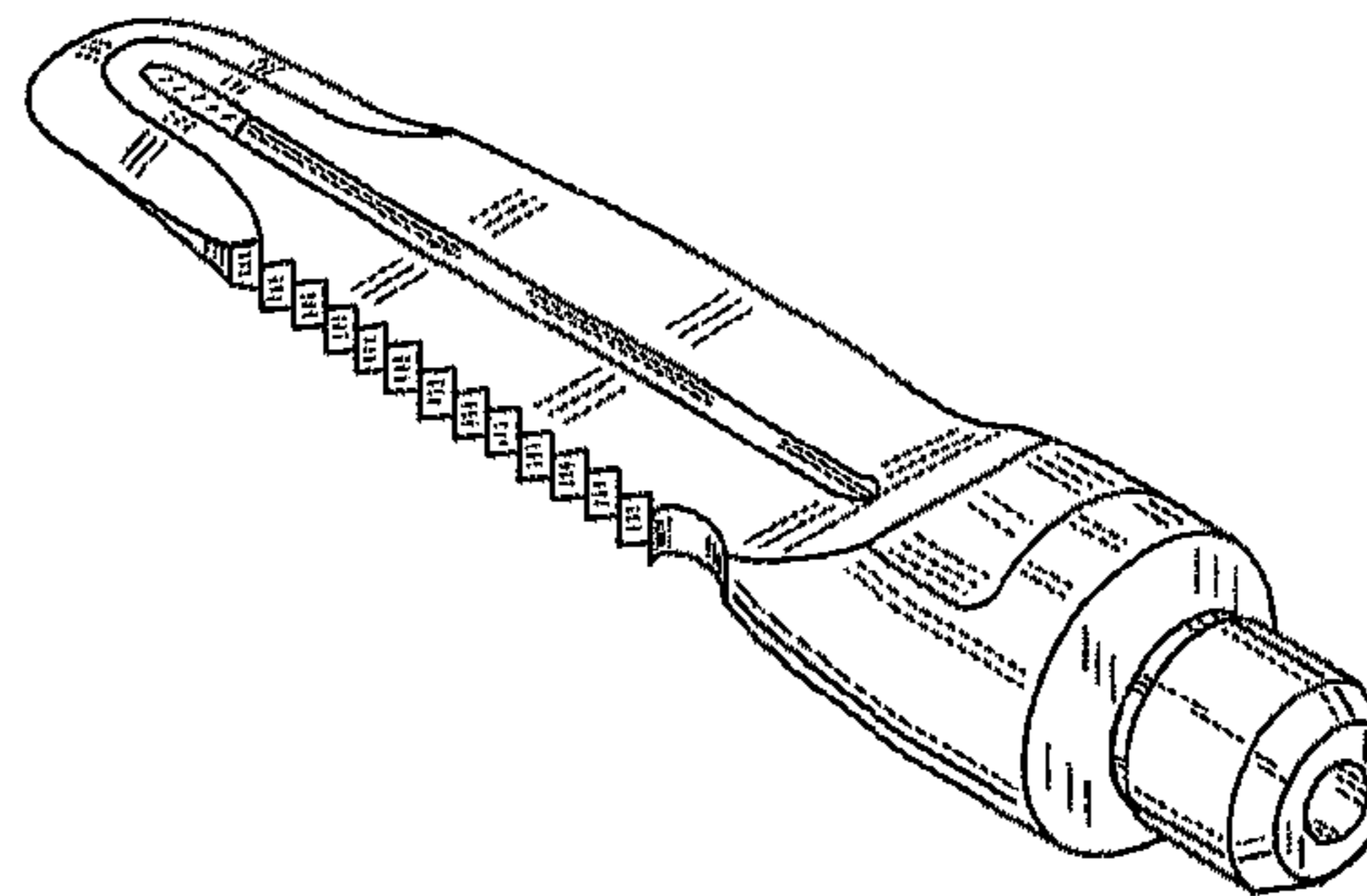
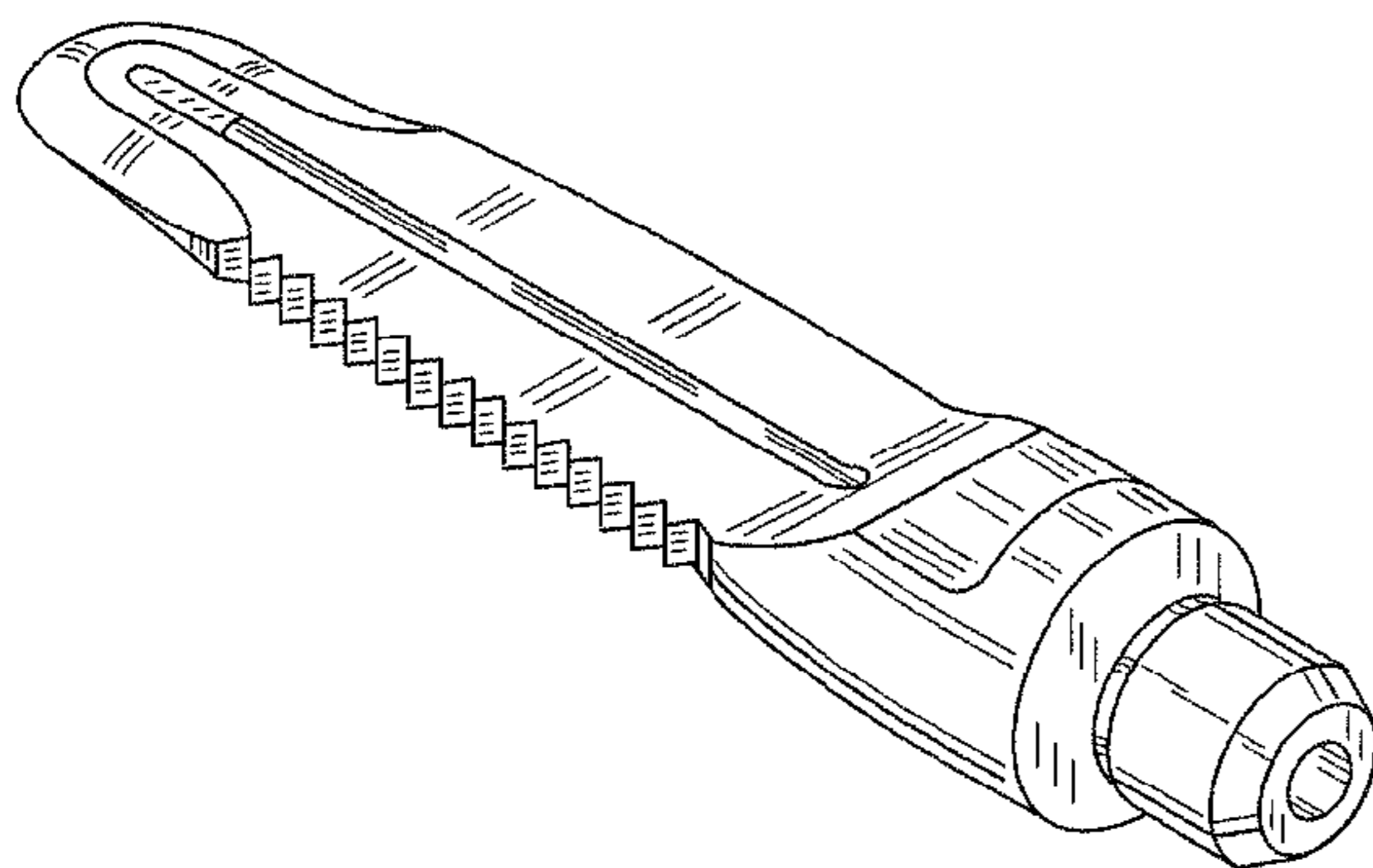
FIG. 11 is a front elevational view thereof;

FIG. 12 is a rear elevational view thereof;

FIG. 13 is a bottom plan view thereof; and,

FIG. 14 is a top plan view thereof.

1 Claim, 2 Drawing Sheets



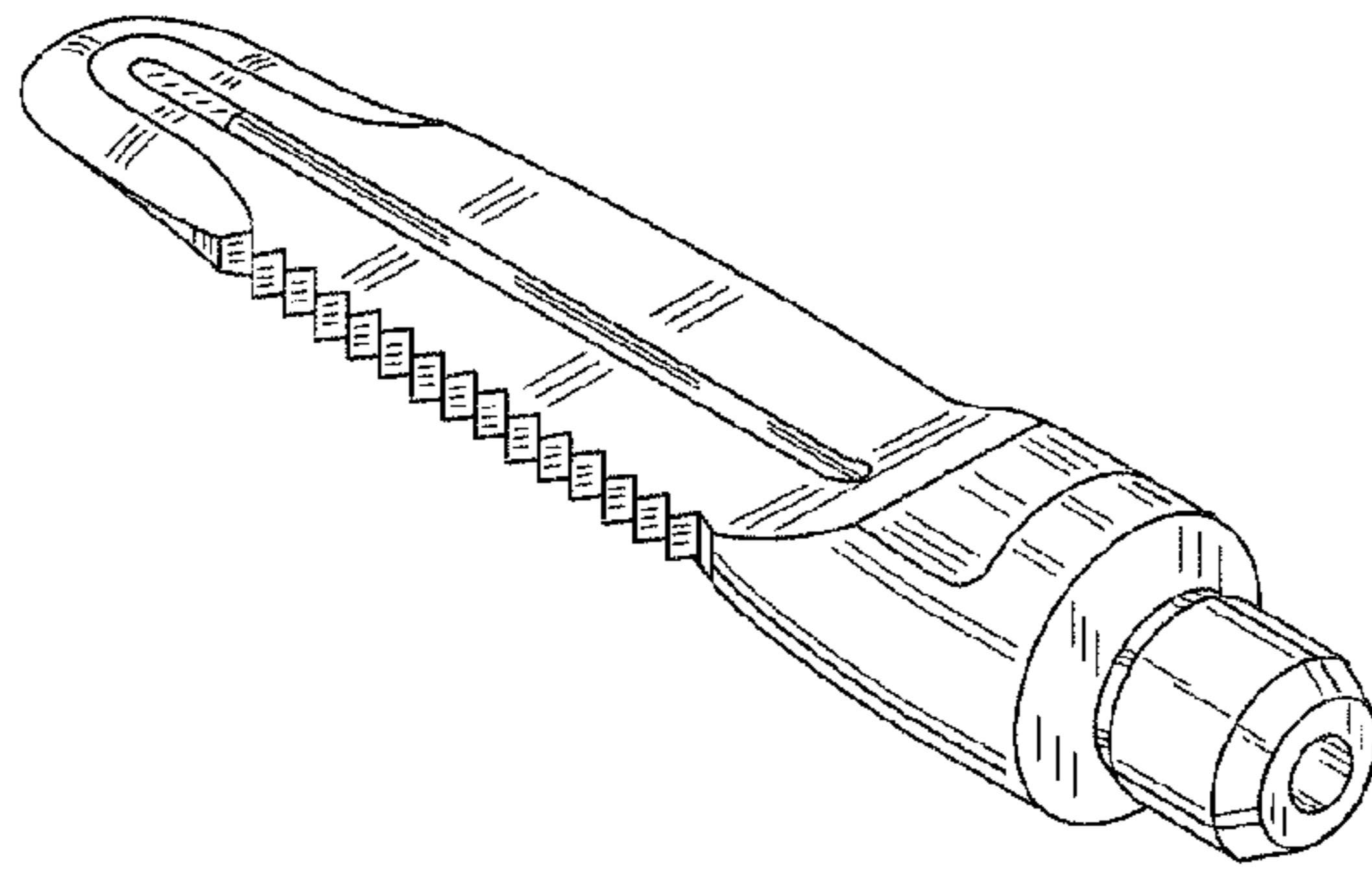


Fig. 1

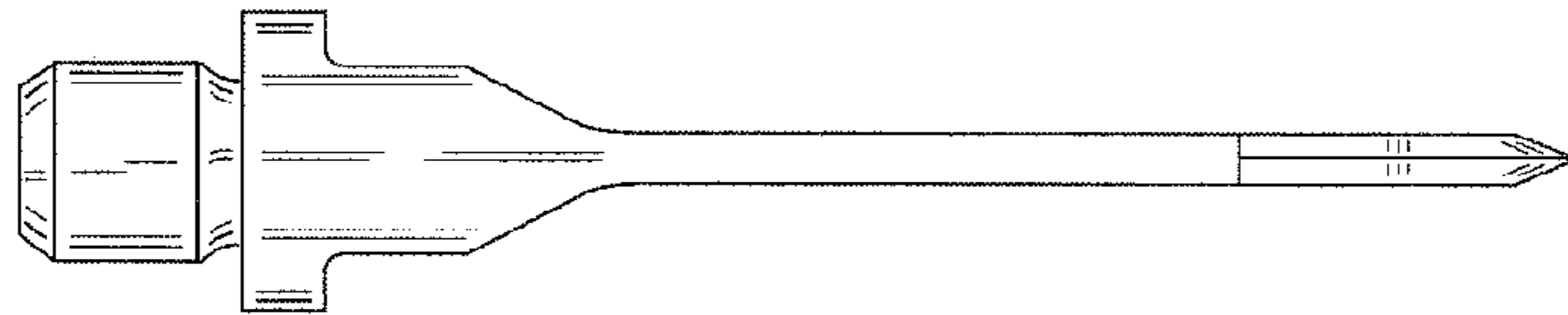


Fig. 2

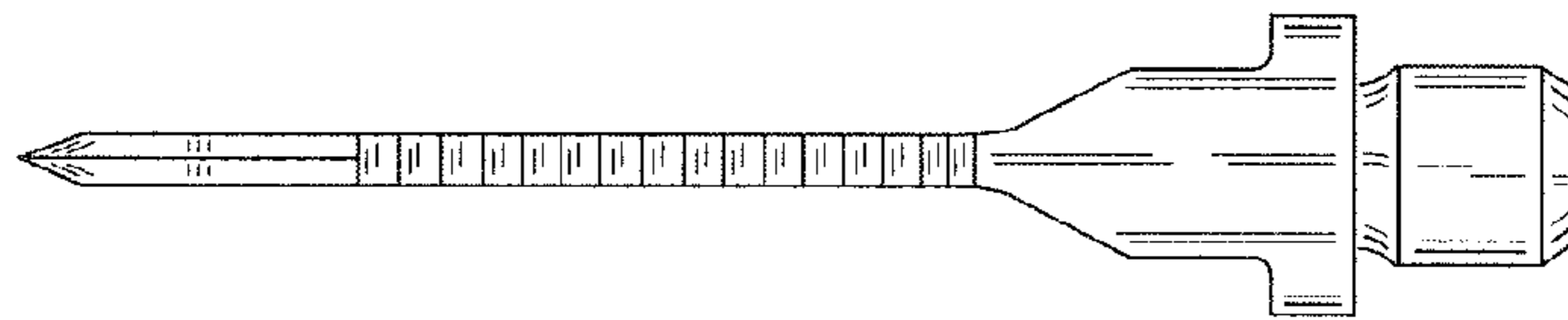


Fig. 3

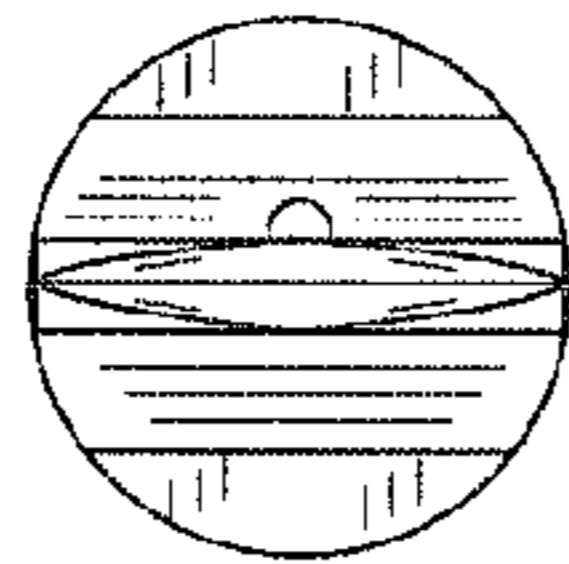


Fig. 4

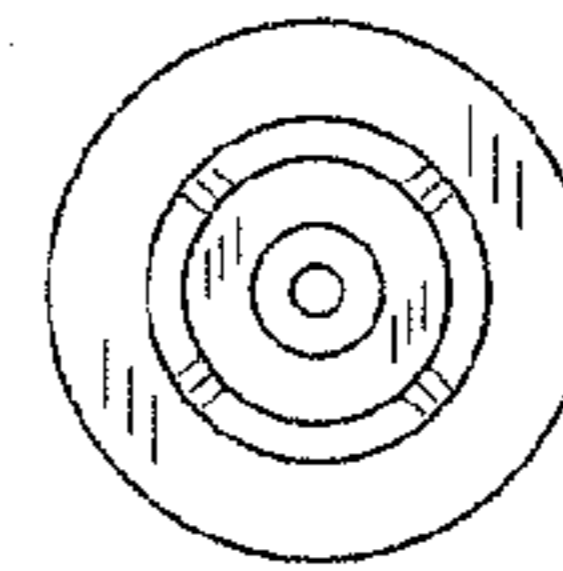


Fig. 5

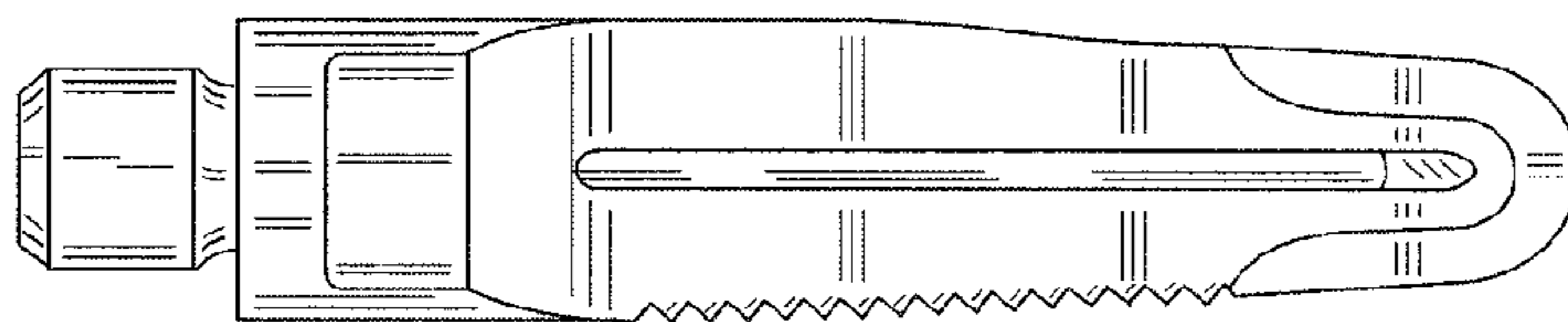


Fig. 6

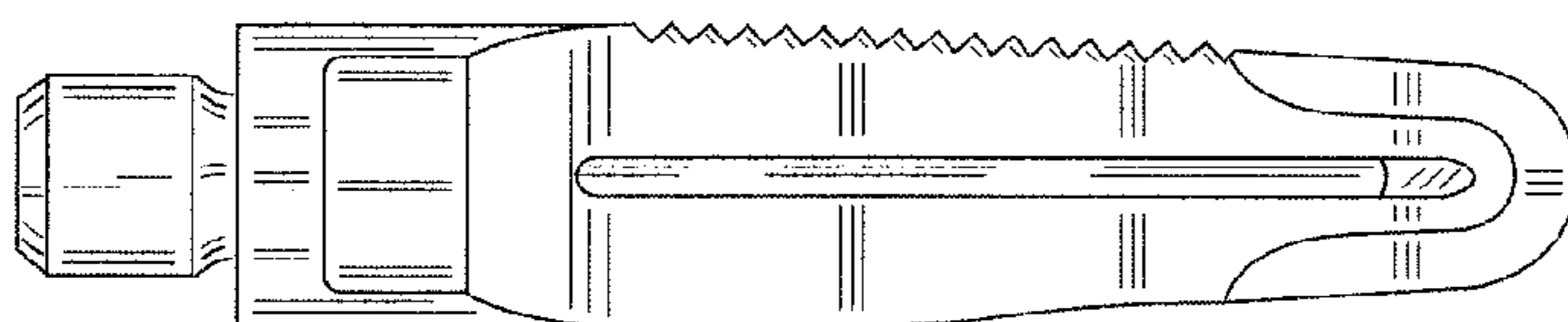


Fig. 7

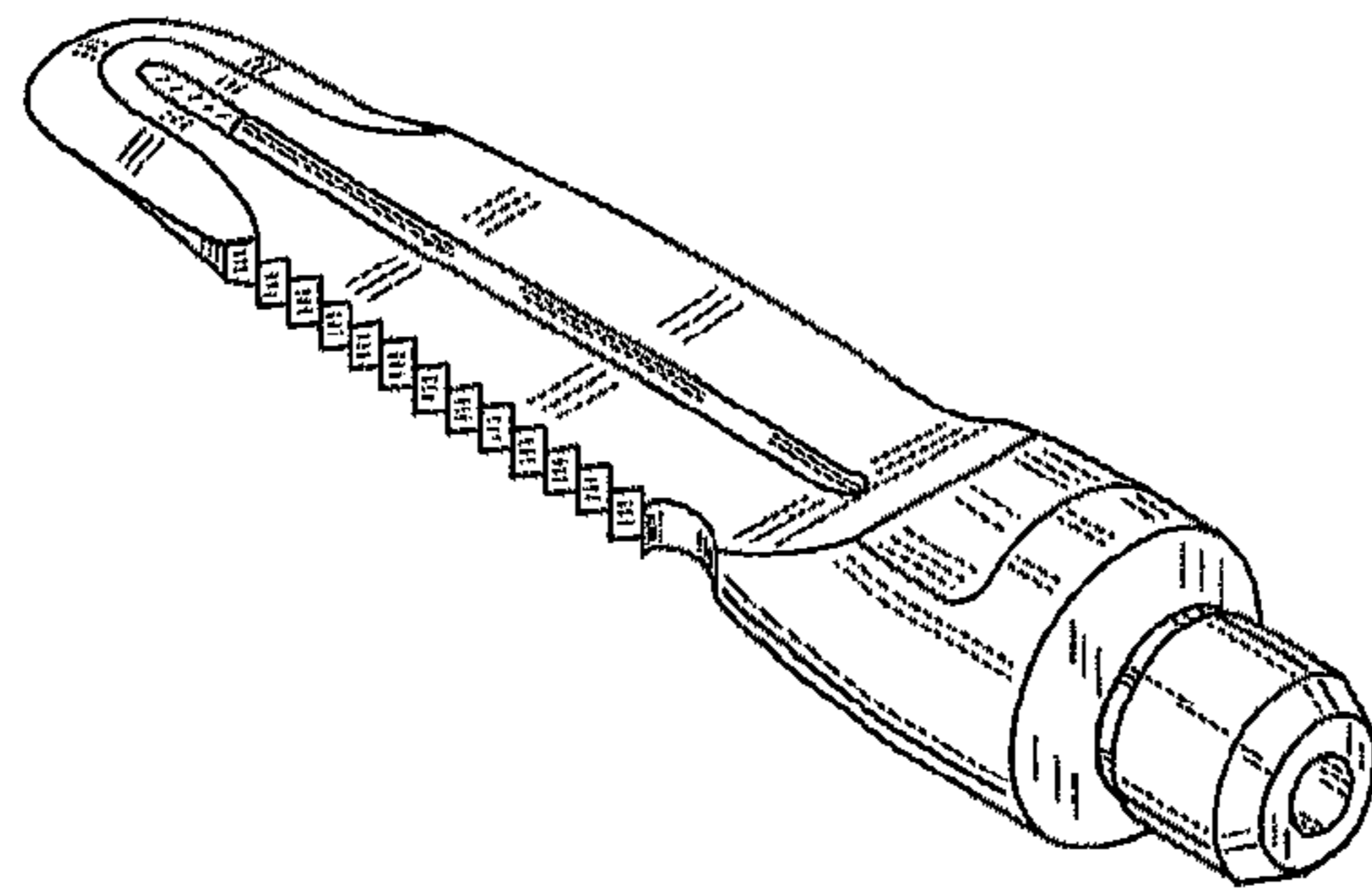


Fig. 8

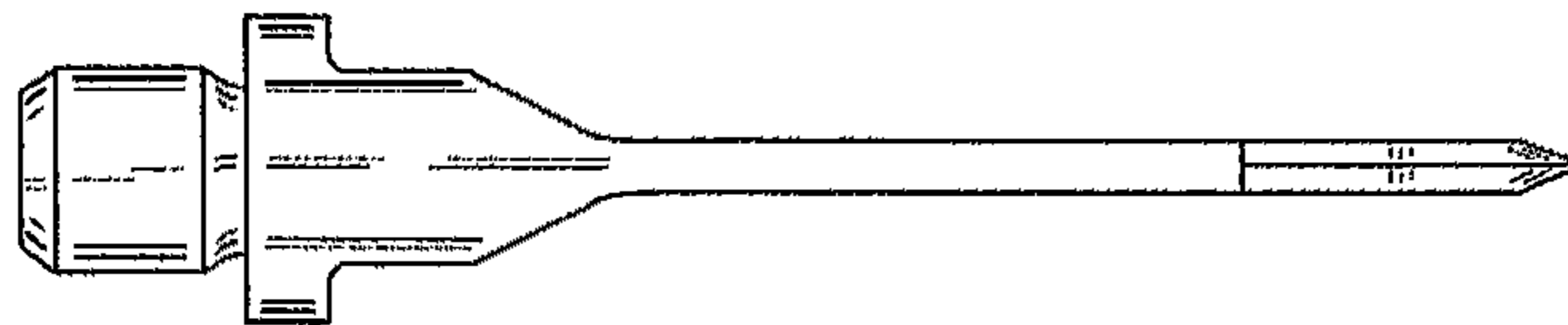


Fig. 9

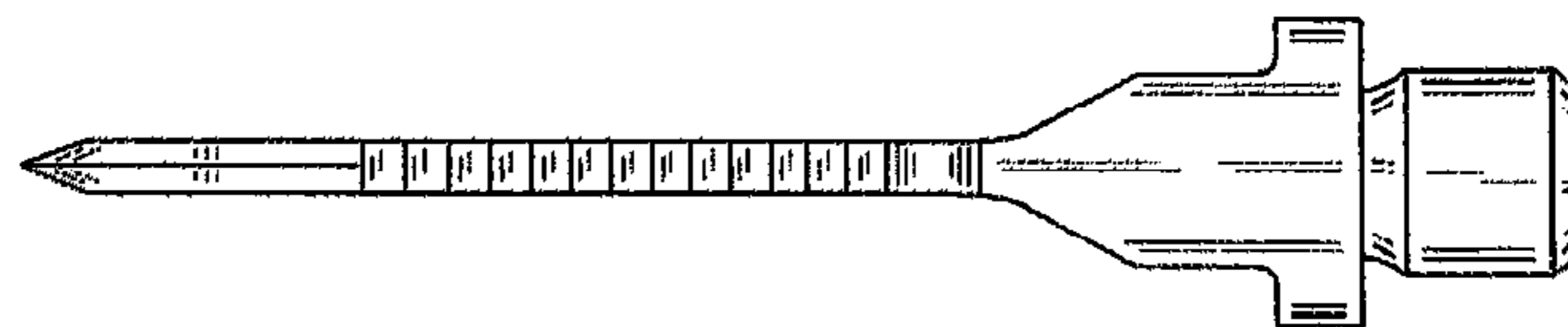


Fig. 10

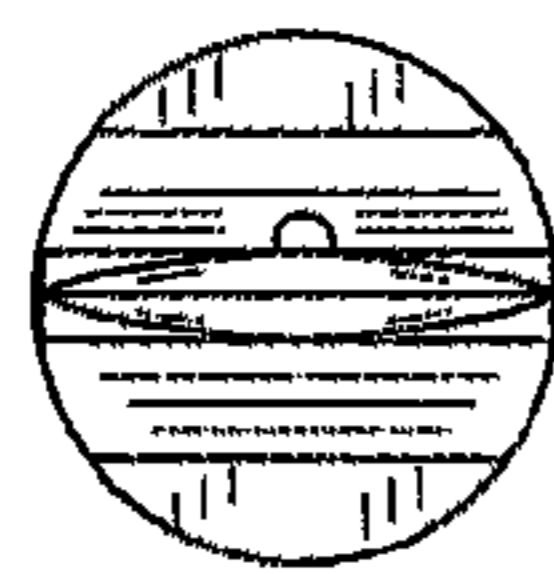


Fig. 11

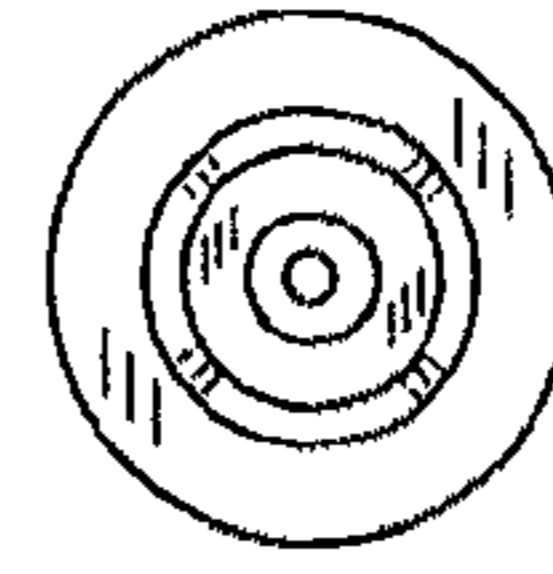


Fig. 12

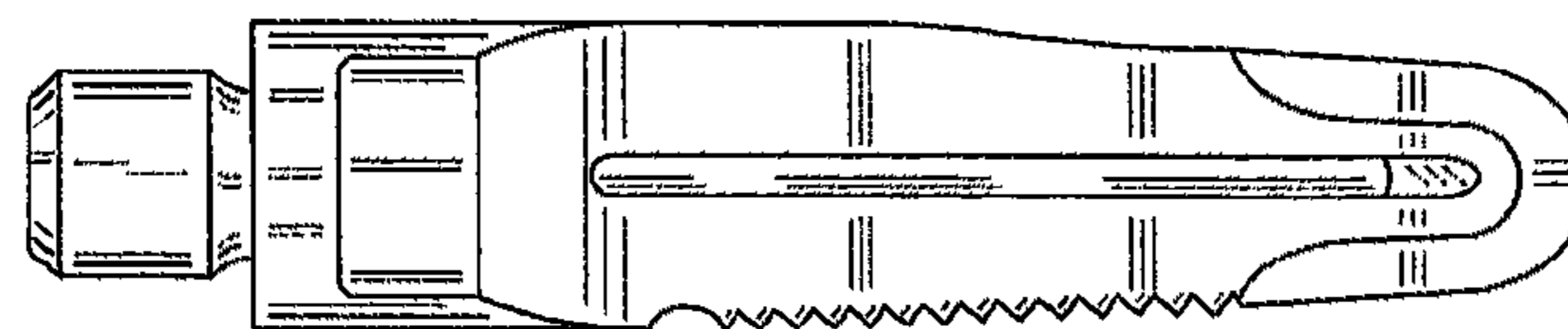


Fig. 13

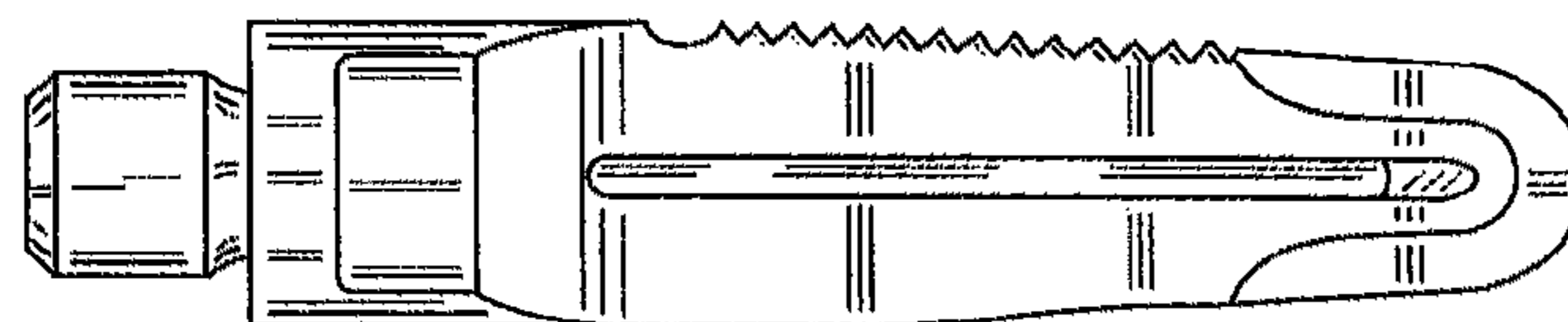


Fig. 14