



US00D680217S

(12) **United States Design Patent**
Voege

(10) **Patent No.:** **US D680,217 S**

(45) **Date of Patent:** **** Apr. 16, 2013**

(54) **HANDLE FOR A MEDICAL GAS/FLUID
REGULATOR OR CONSERVER**

(75) Inventor: **James A. Voege**, Zionsville, IN (US)

(73) Assignee: **Ameriflo, Inc.**, Carmel, IN (US)

(**) Term: **14 Years**

(21) Appl. No.: **29/403,046**

(22) Filed: **Sep. 30, 2011**

(51) **LOC (9) Cl.** **24-02**

(52) **U.S. Cl.**
USPC **D24/128**

(58) **Field of Classification Search** D24/127-131,
D24/112-114, 133, 186; 606/181, 185; 604/232,
604/187, 158, 164.08, 192, 263, 163, 181,
604/184, 198, 227; 600/101, 139, 143; 128/200.24,
128/207.14, 207.15; D8/67, 70, 8, 69, 315,
D8/87; 251/318; 137/505; 123/2; 417/234
See application file for complete search history.

(56) **References Cited**

U.S. PATENT DOCUMENTS

D237,455	S	*	11/1975	Schramm	D8/69
4,279,552	A	*	7/1981	Epstein	D8/70
D377,742	S	*	2/1997	Losdahl et al.	D8/8
D386,055	S	*	11/1997	Gustafsson et al.	D8/69
D392,172	S	*	3/1998	Havel	D8/87
D491,784	S	*	6/2004	Chiang	D8/70

D584,129	S	*	1/2009	Miller	D8/315
D610,890	S	*	3/2010	Collins	D8/70
D620,333	S	*	7/2010	Collins	D8/70
D631,270	S	*	1/2011	O'Brien et al.	D8/315
D631,272	S	*	1/2011	O'Brien et al.	D8/315
2004/0168653	A1	*	9/2004	Radtke	123/2
2008/0273994	A1	*	11/2008	Sadkowski et al.	417/234

* cited by examiner

Primary Examiner — David Muller

(74) *Attorney, Agent, or Firm* — Faegre Baker Daniels LLP

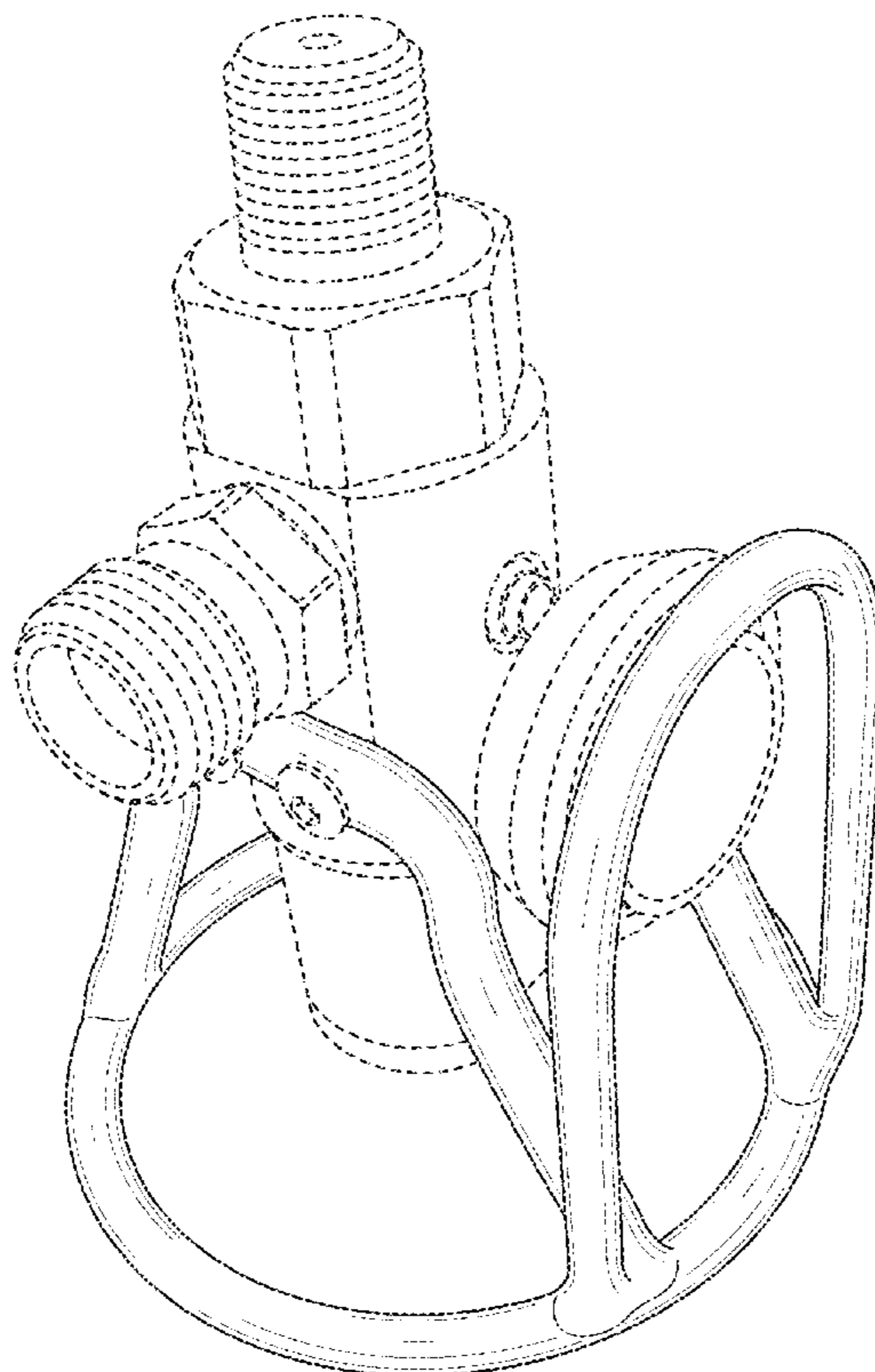
(57) **CLAIM**

The ornamental design for a handle for a medical gas/fluid regulator or conserver, as shown and described.

DESCRIPTION

FIG. 1 is a perspective view of a handle of the present invention;
FIG. 2 shows a front view of the handle of FIG. 1;
FIG. 3 shows a rear view of the handle of FIGS. 1 and 2;
FIG. 4 shows a left side view of the handle of FIGS. 1 and 2;
FIG. 5 shows a right side view of the handle of FIGS. 1 and 2;
FIG. 6 shows a top view of the handle of FIGS. 1 and 2; and,
FIG. 7 shows a bottom view of the handle of FIGS. 1 and 2.
The broken lines show portions of a medical gas/fluid regulator or conserver attached to the handle that form no part of the claimed design.

1 Claim, 7 Drawing Sheets



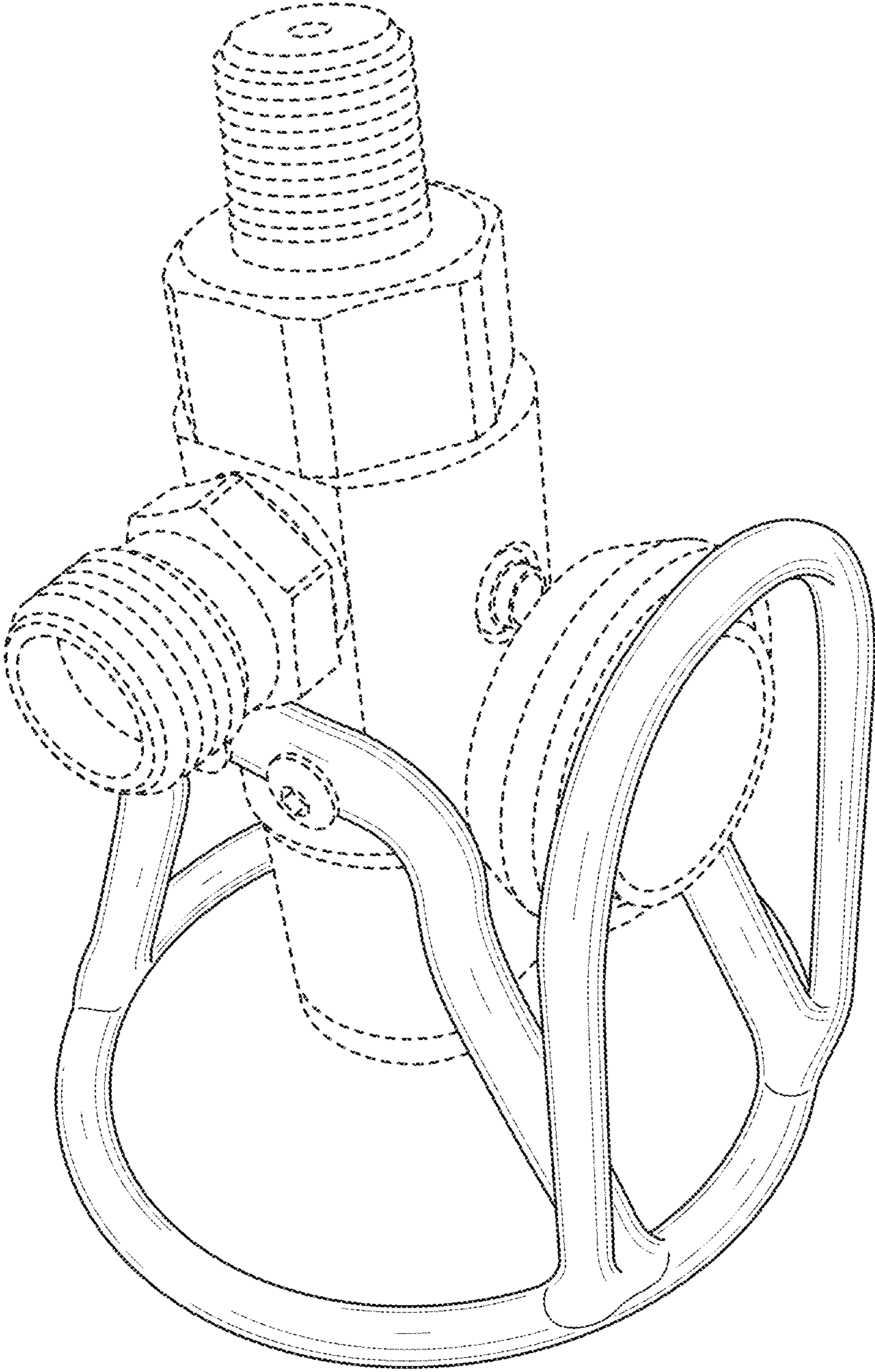


FIG. 1

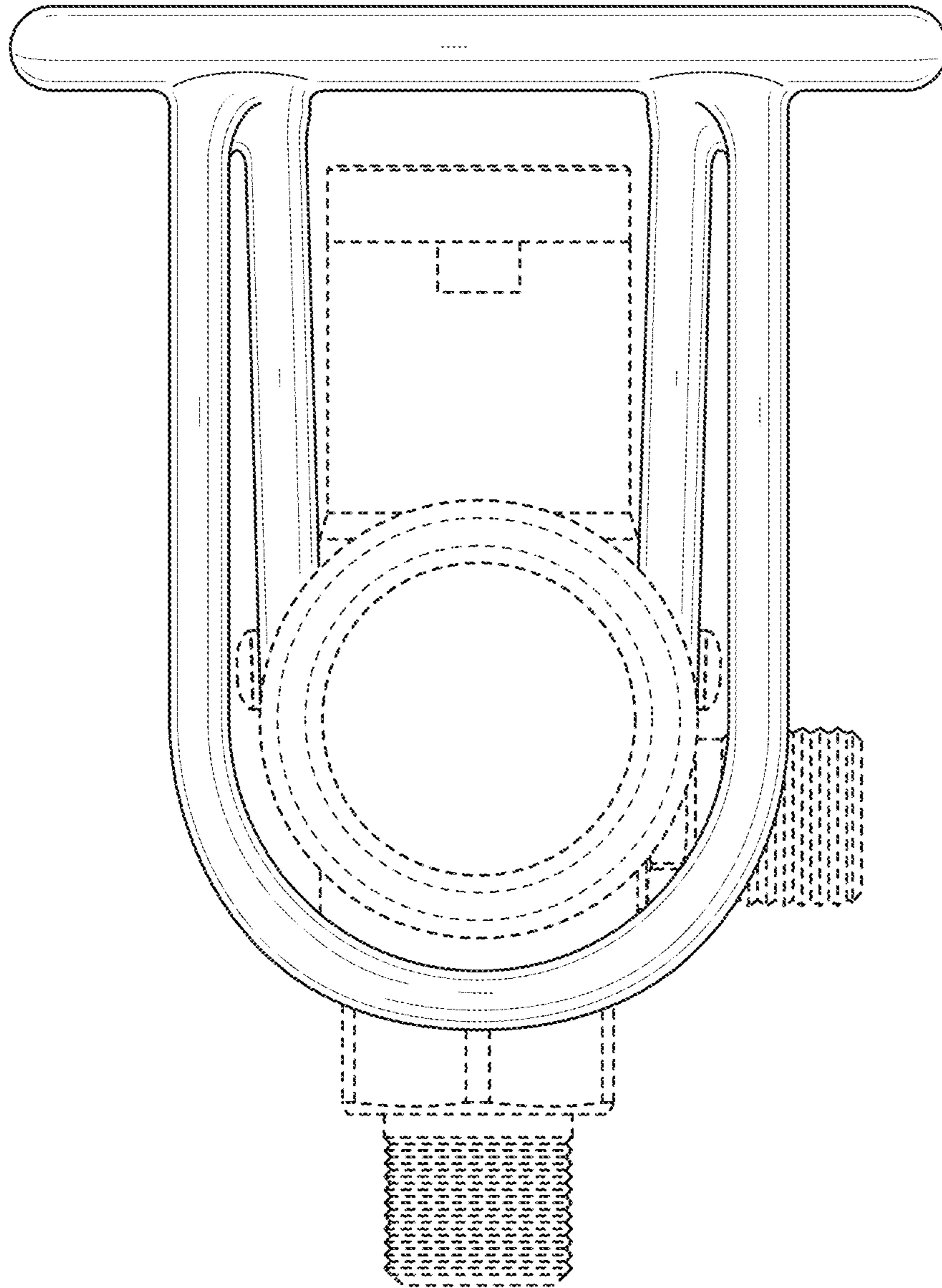


FIG. 2

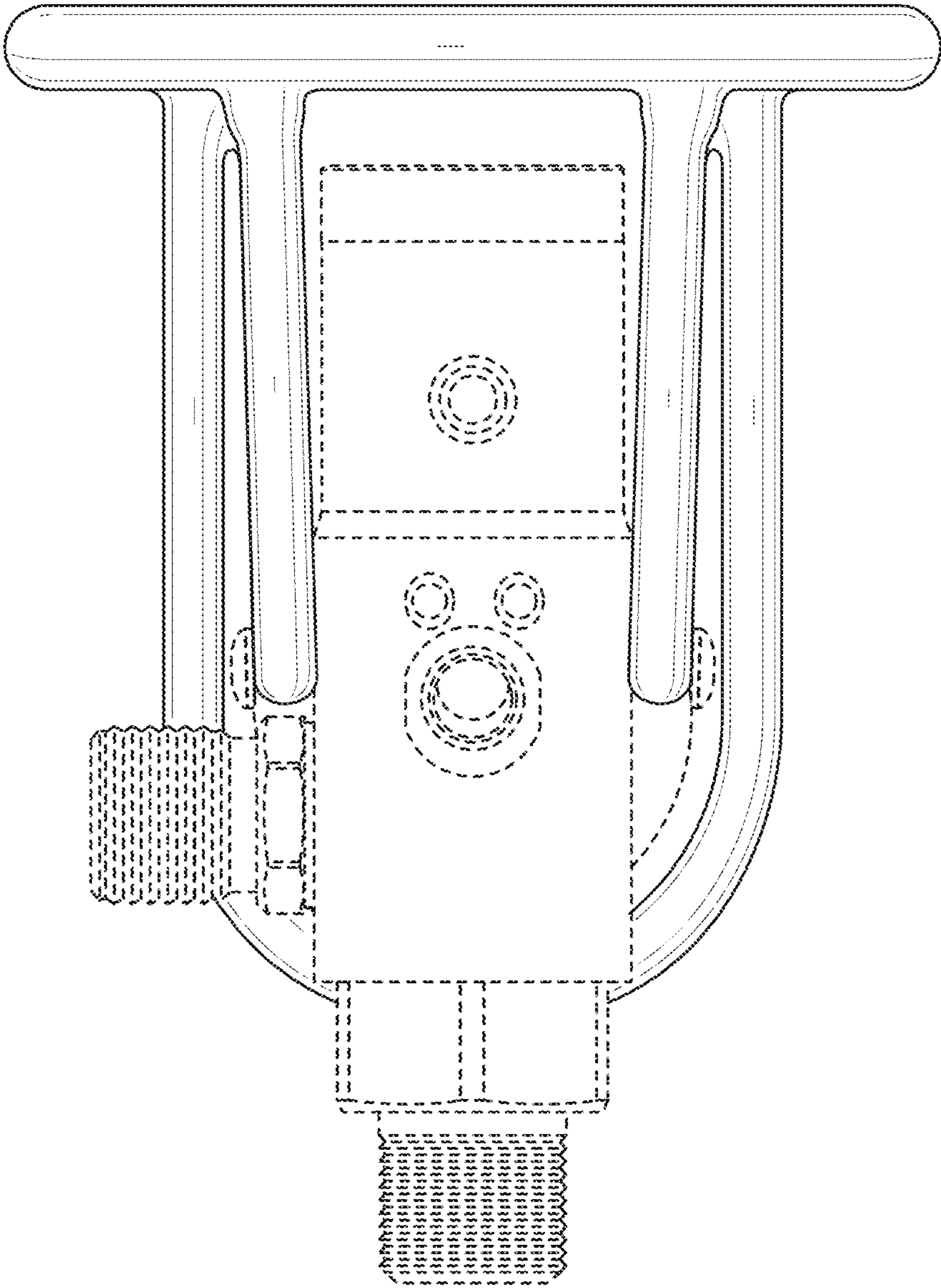


FIG. 3

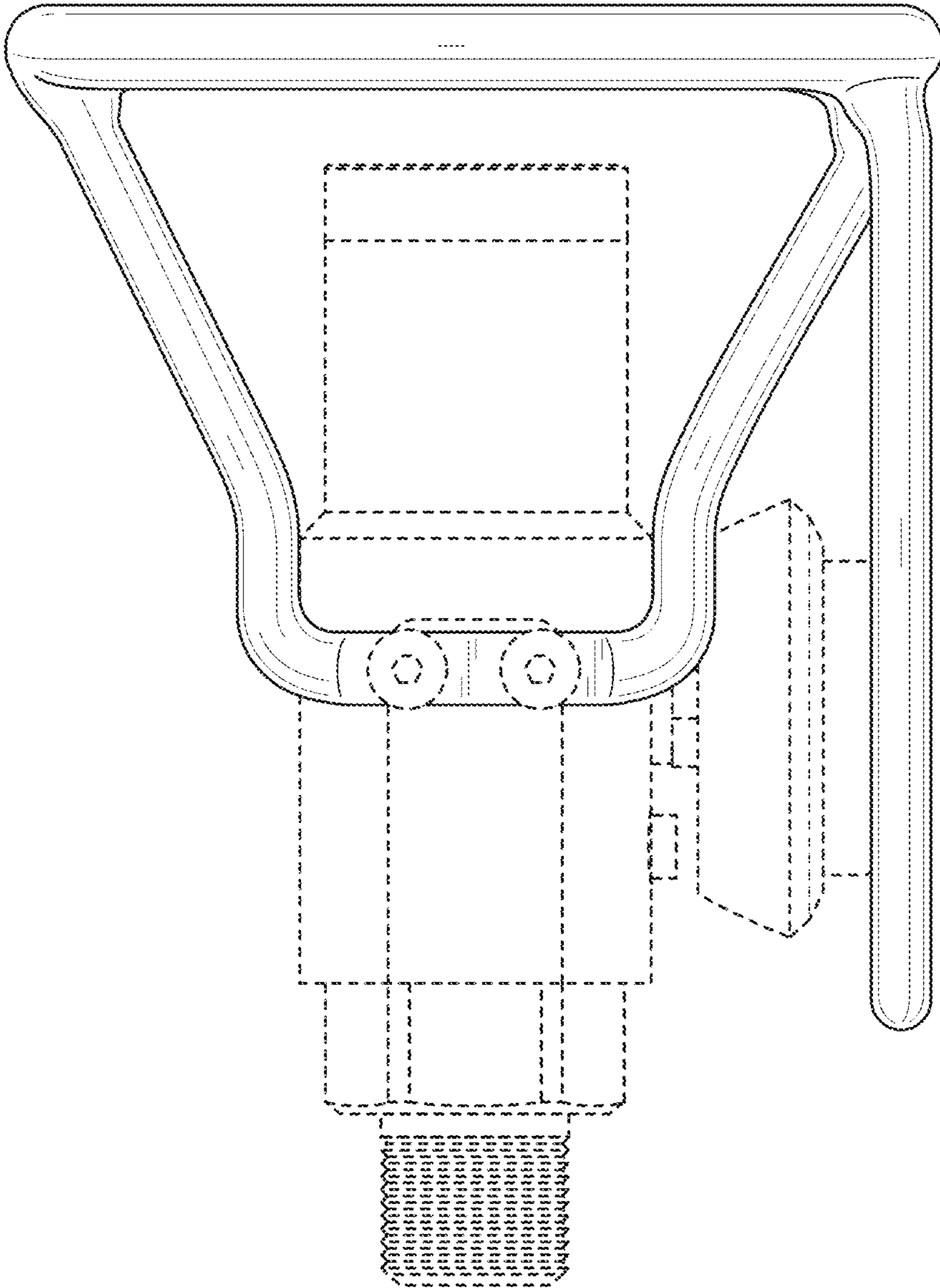


FIG. 4

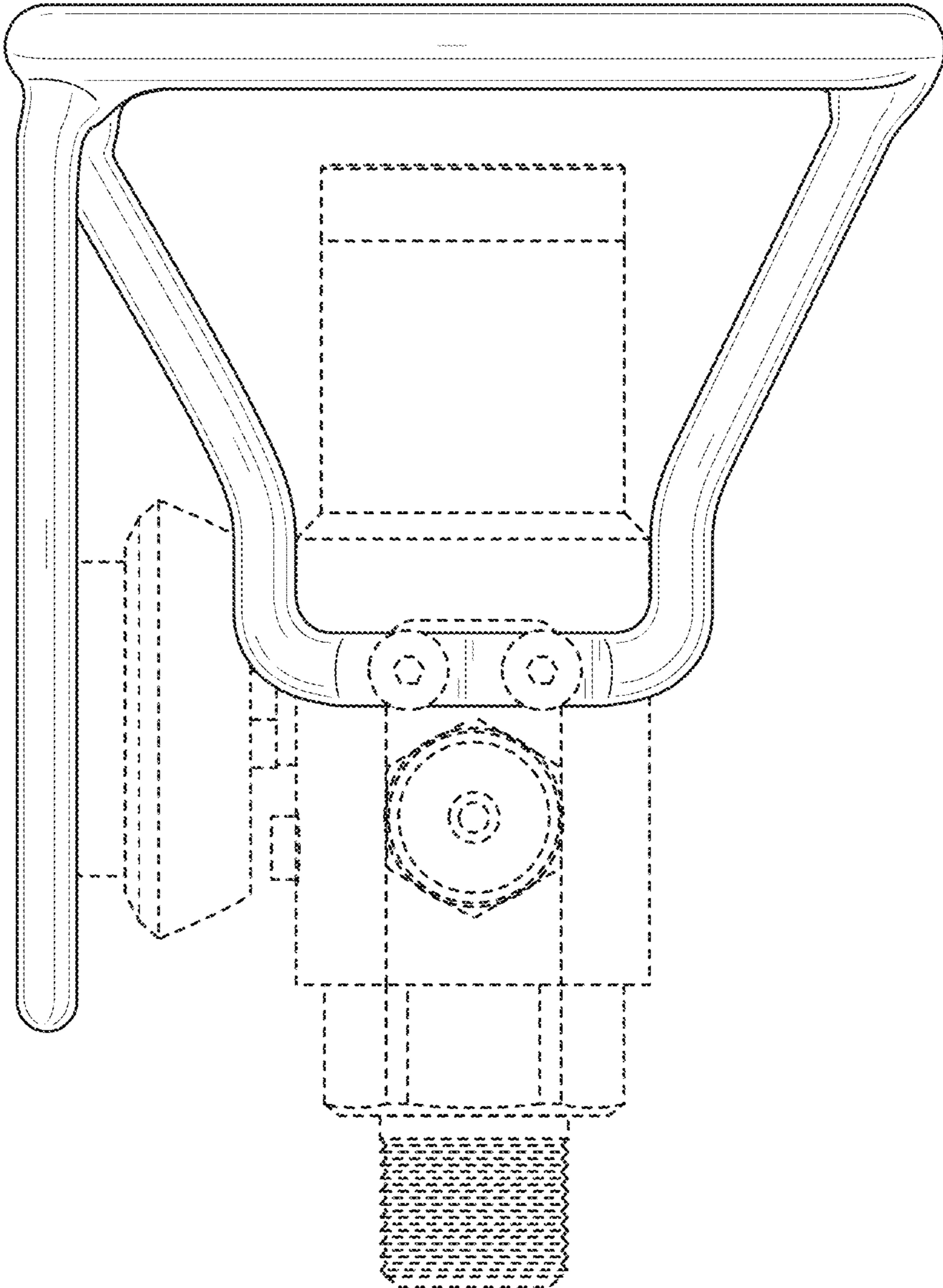


FIG. 5

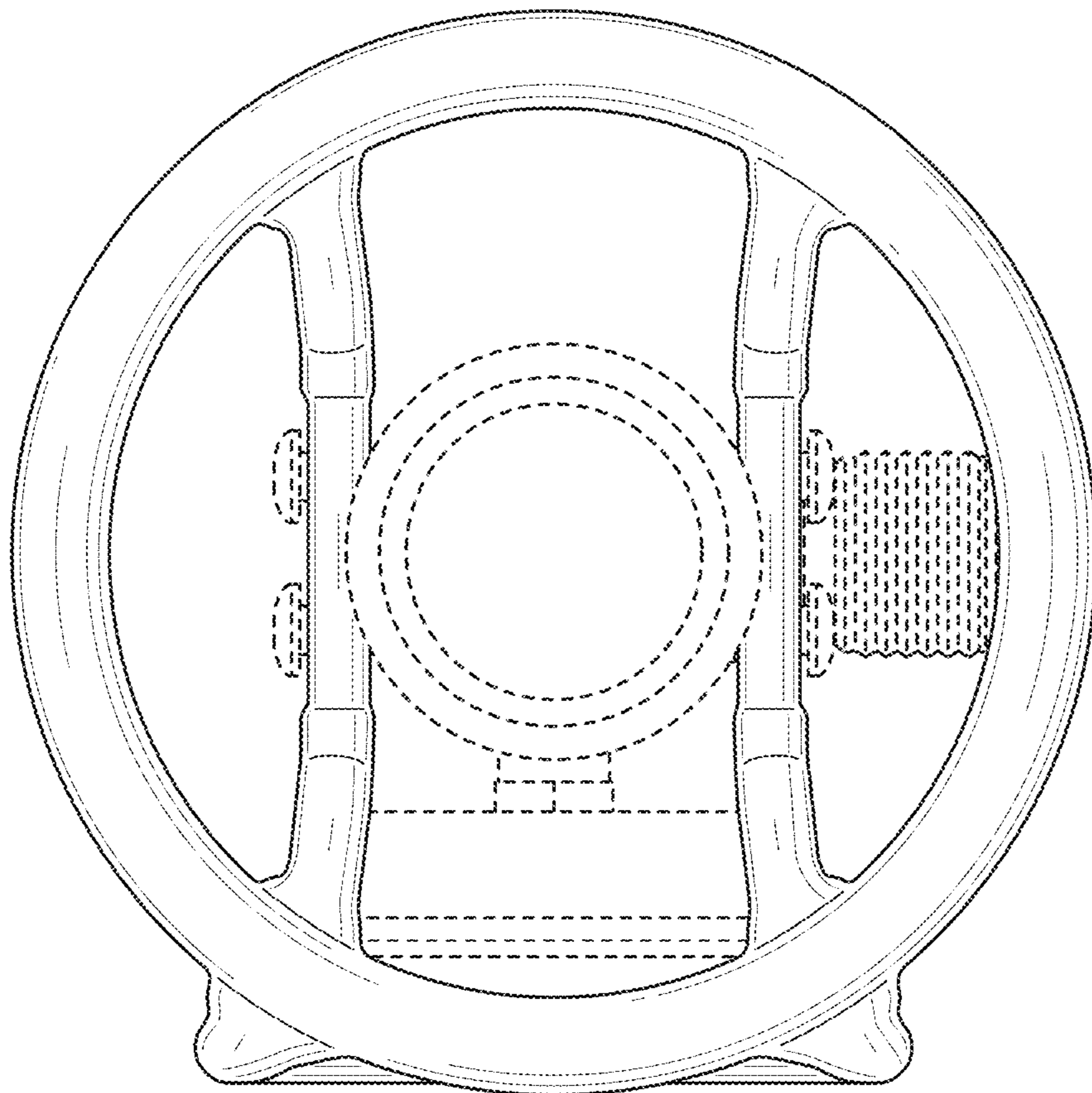


FIG. 6

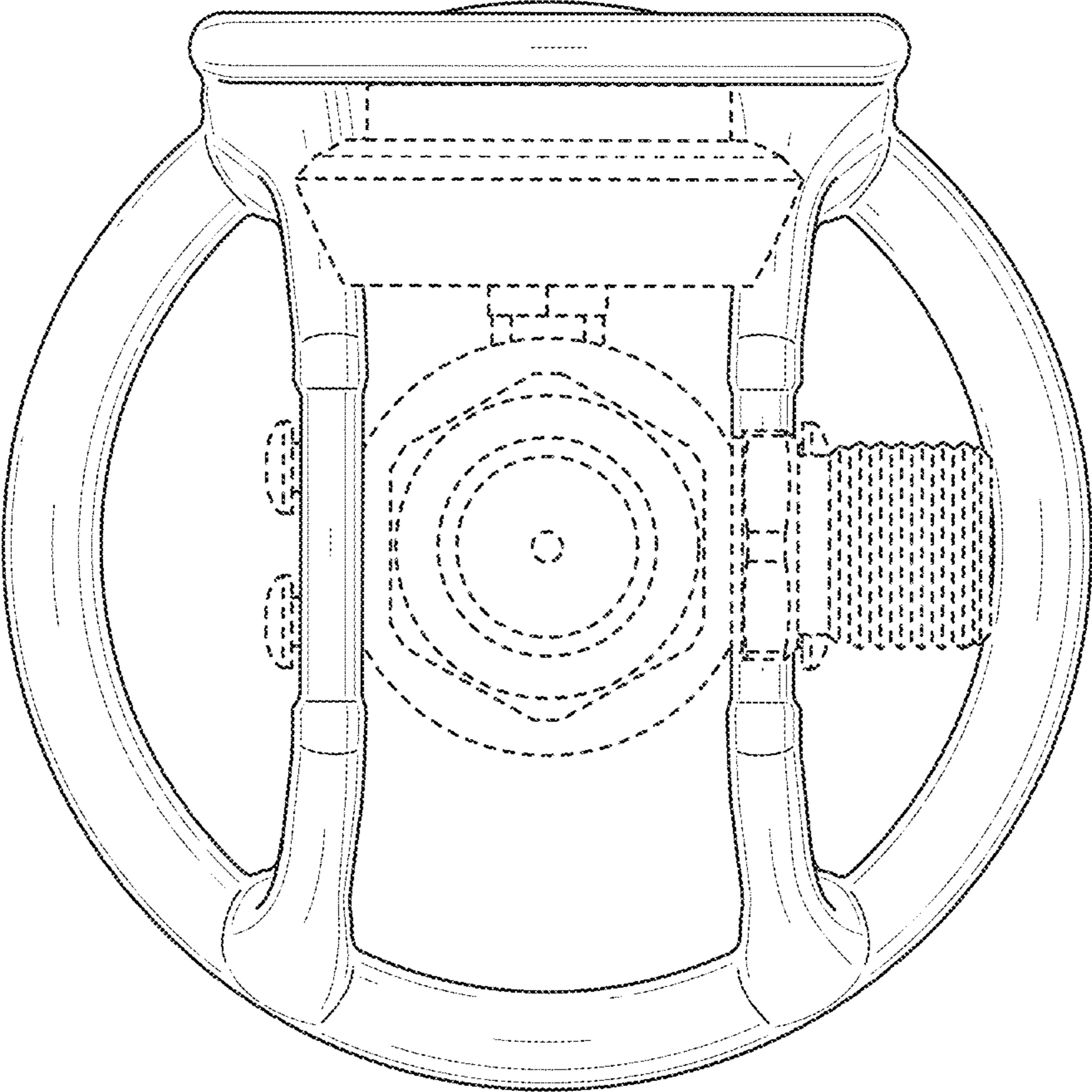


FIG. 7