



US00D680216S

(12) **United States Design Patent**
Hedbratt et al.

(10) **Patent No.:** **US D680,216 S**
(45) **Date of Patent:** **** Apr. 16, 2013**

(54) **INCONTINENCE PANT**
(75) Inventors: **Anita Haraldsson Hedbratt**, Mölnlycke (SE); **Sofia Hermansson**, Västra Frölunda (SE); **Catarina Linnér**, Lindome (SE); **Anna-Carin Elfström**, Torslanda (SE)

6,063,066 A 5/2000 Inoue et al.
D437,932 S 2/2001 Ruman et al.
6,503,239 B1 1/2003 Bruemmer-Prestley et al.
(Continued)

(73) Assignee: **SCA Hygiene Products AB**, Göteborg (SE)

FOREIGN PATENT DOCUMENTS
EP 000025192-0001 7/2003
EP 000025192-0002 7/2003
(Continued)

(**) Term: **14 Years**

(21) Appl. No.: **29/391,301**

(22) Filed: **May 6, 2011**

OTHER PUBLICATIONS
Hedbratt et al., U.S. Appl. No. 29/357,663, entitled "Pant Diaper" filed Mar. 16, 2010.

(Continued)

Related U.S. Application Data

(62) Division of application No. 29/338,143, filed on Jun. 5, 2009.

Primary Examiner — T. Chase Nelson
Assistant Examiner — Michelle E Wilson
(74) *Attorney, Agent, or Firm* — Buchanan Ingersoll & Rooney PC

Foreign Application Priority Data

Dec. 11, 2008 (EM) 001061543-0001/0008

(51) **LOC (9) Cl.** **24-04**

(52) **U.S. Cl.**
USPC **D24/126**

(58) **Field of Classification Search** D24/124–126;
604/385, 358, 359, 361, 378, 389, 390, 391,
604/385.01–385.03; D2/712, 713, 731, 738,
D2/742

See application file for complete search history.

(57) **CLAIM**
The ornamental design for an incontinence pant, as shown and described.

DESCRIPTION

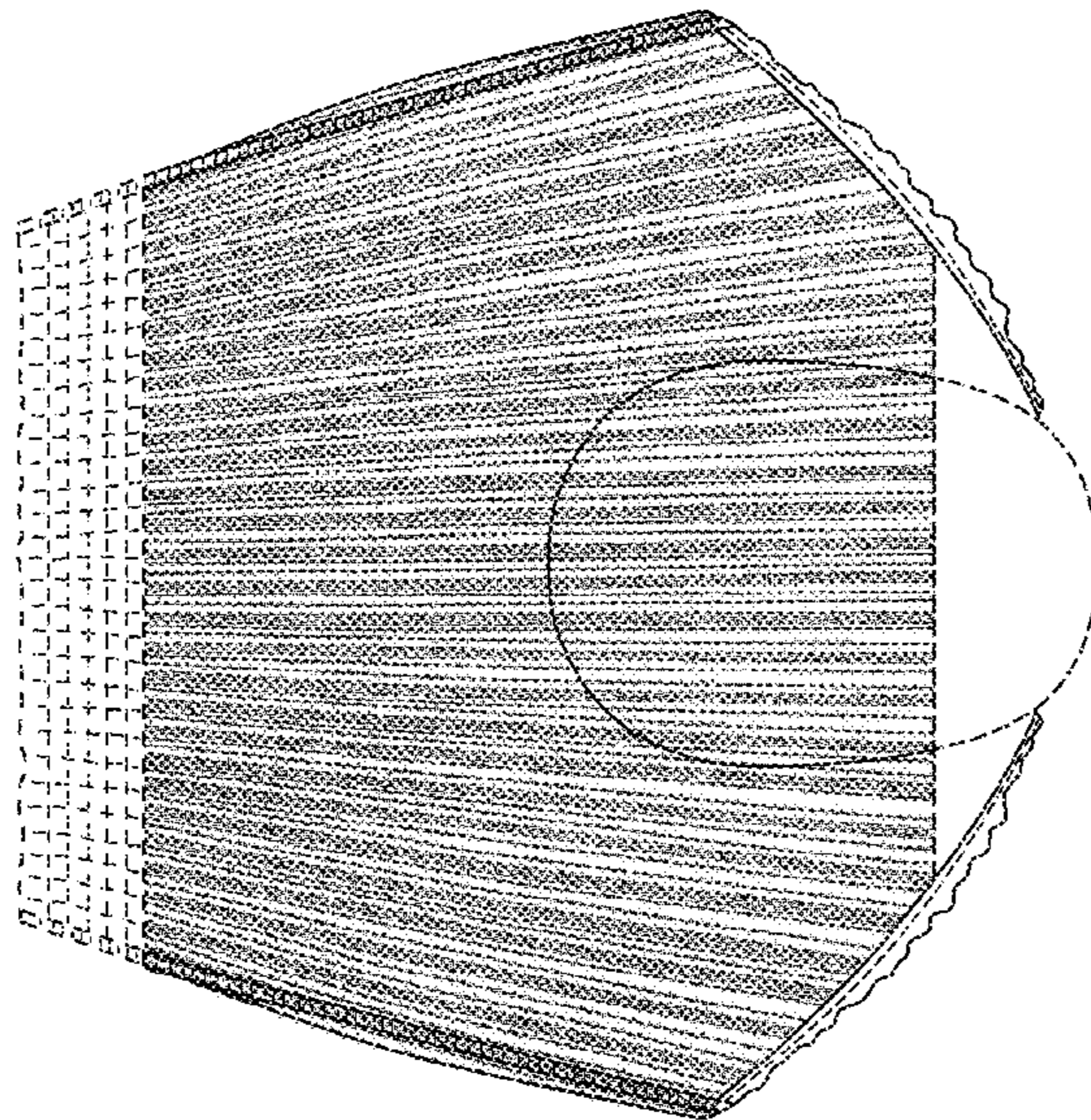
FIG. 1 is a rear elevational view of an incontinence pant showing our new design.
FIG. 2 is a front elevational view thereof.
FIG. 3 is a right side elevational view thereof.
FIG. 4 is a left side elevational view thereof.
FIG. 5 is a top plan view thereof; and,
FIG. 6 is a bottom plan view thereof.
The broken line showing portions of an incontinence pant is included for the purpose of illustrating environmental structure and forms no part of the claimed design, except that the broken lines in the center of the ruffled sections at the bottom of the incontinence pant illustrate part of the claimed design, e.g., elastic material.

(56) **References Cited**

U.S. PATENT DOCUMENTS

D309,020 S 7/1990 Coates et al.
D339,633 S 9/1993 Porter

1 Claim, 6 Drawing Sheets



US D680,216 S

Page 2

U.S. PATENT DOCUMENTS

6,576,810	B1	6/2003	Underhill et al.	
D483,868	S	12/2003	Otsubo et al.	
6,921,393	B2	7/2005	Tears et al.	
D514,223	S	1/2006	Hermansson et al.	
D543,275	S	5/2007	Hermansson et al.	
D608,443	S	*	1/2010 Thompson	D24/126
D609,805	S	*	2/2010 Moravek et al.	D24/126
D610,255	S	*	2/2010 Garner	D24/126
D610,256	S	*	2/2010 Garner	D24/126
D621,032	S	*	8/2010 Nakaoka et al.	D24/126
D621,033	S	*	8/2010 Nakaoka et al.	D24/126
D621,034	S	*	8/2010 Nakaoka et al.	D24/126
D629,890	S	*	12/2010 Hedbratt et al.	D24/126
D650,477	S	*	12/2011 Morrell-Schwartz	D24/124

FOREIGN PATENT DOCUMENTS

EP	000025192-0003	7/2003
EP	000025192-0004	7/2003
EP	000025192-0005	7/2003

EP	000025192-0006	7/2003
EP	000025192-0007	7/2003
EP	000025192-0008	7/2003
EP	000025192-0009	7/2003
EP	000025192-0010	7/2003
GB	2008313	1/1991
GB	2009460	1/1991
GB	2011829	4/1991

OTHER PUBLICATIONS

OHIM, Certification of Registration, No. 000118070-0001, SCA Hygiene Products AB, 5 pages, published Aug. 24, 2004.

OHIM, RCD-Online—Design consultation service—Rcd information, Design No. 000025192-0001, <http://oami.europa.eu/RCDOnline/RequestManager>, pp. 1-3, published Jul. 22, 2003.

OHIM, RCD-Online—Design consultation service—Rcd information, Design No. 000729991-0001, <http://oami.europa.eu/RCDOnline/RequestManager>, pp. 1-3, published Jun. 19, 2007.

* cited by examiner

FIG. 1

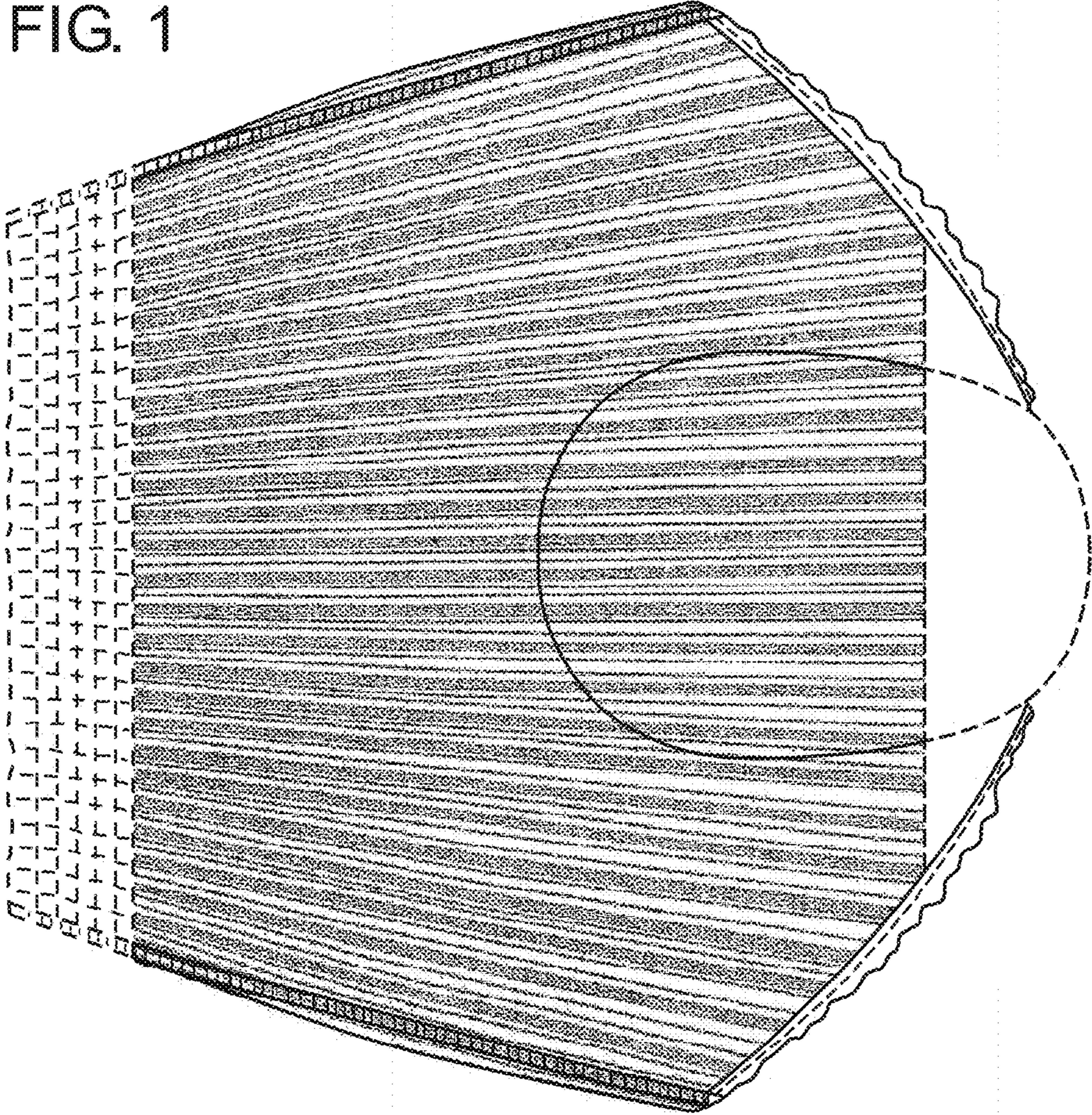


FIG. 2

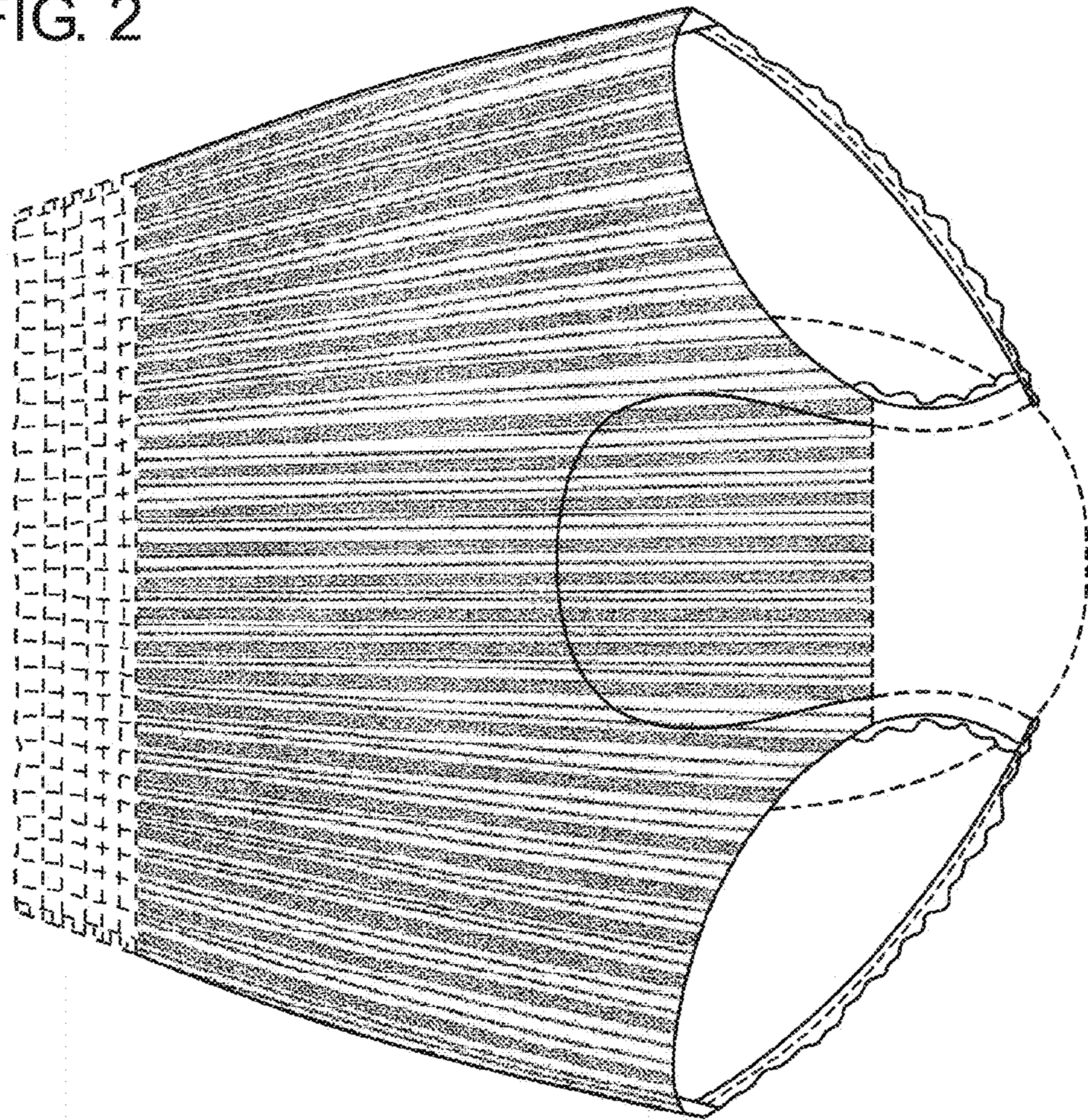


FIG. 3

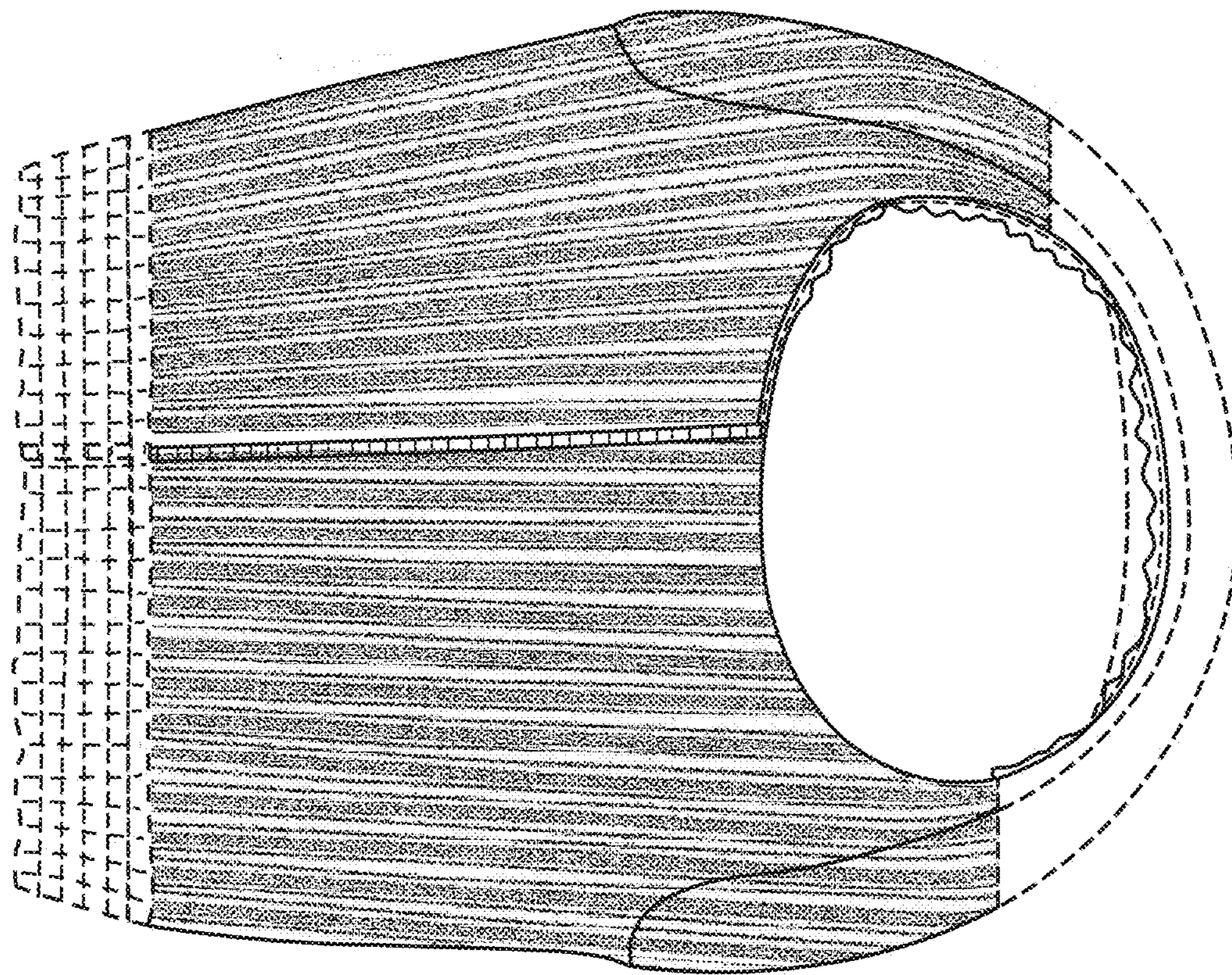


FIG. 4

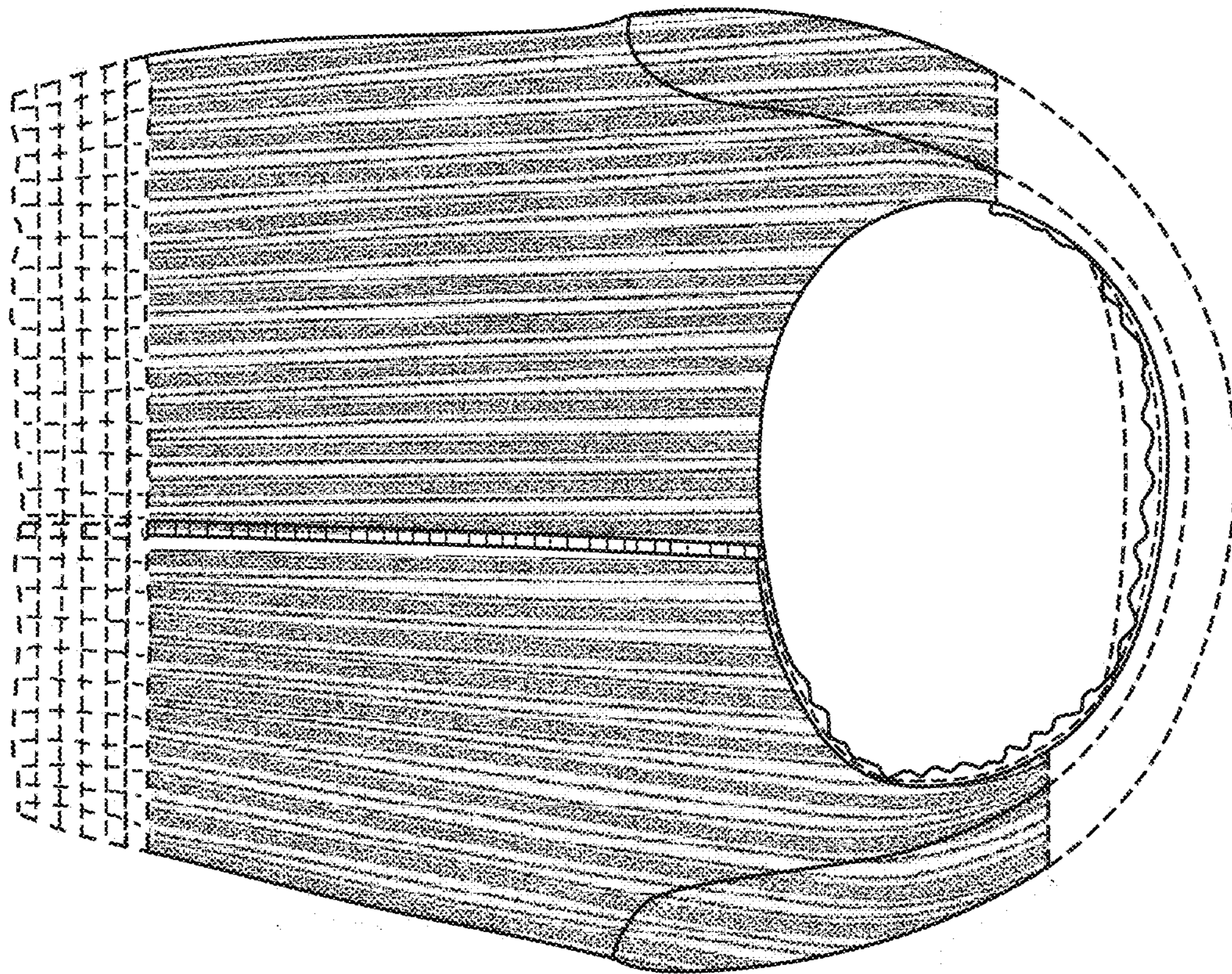


FIG. 5

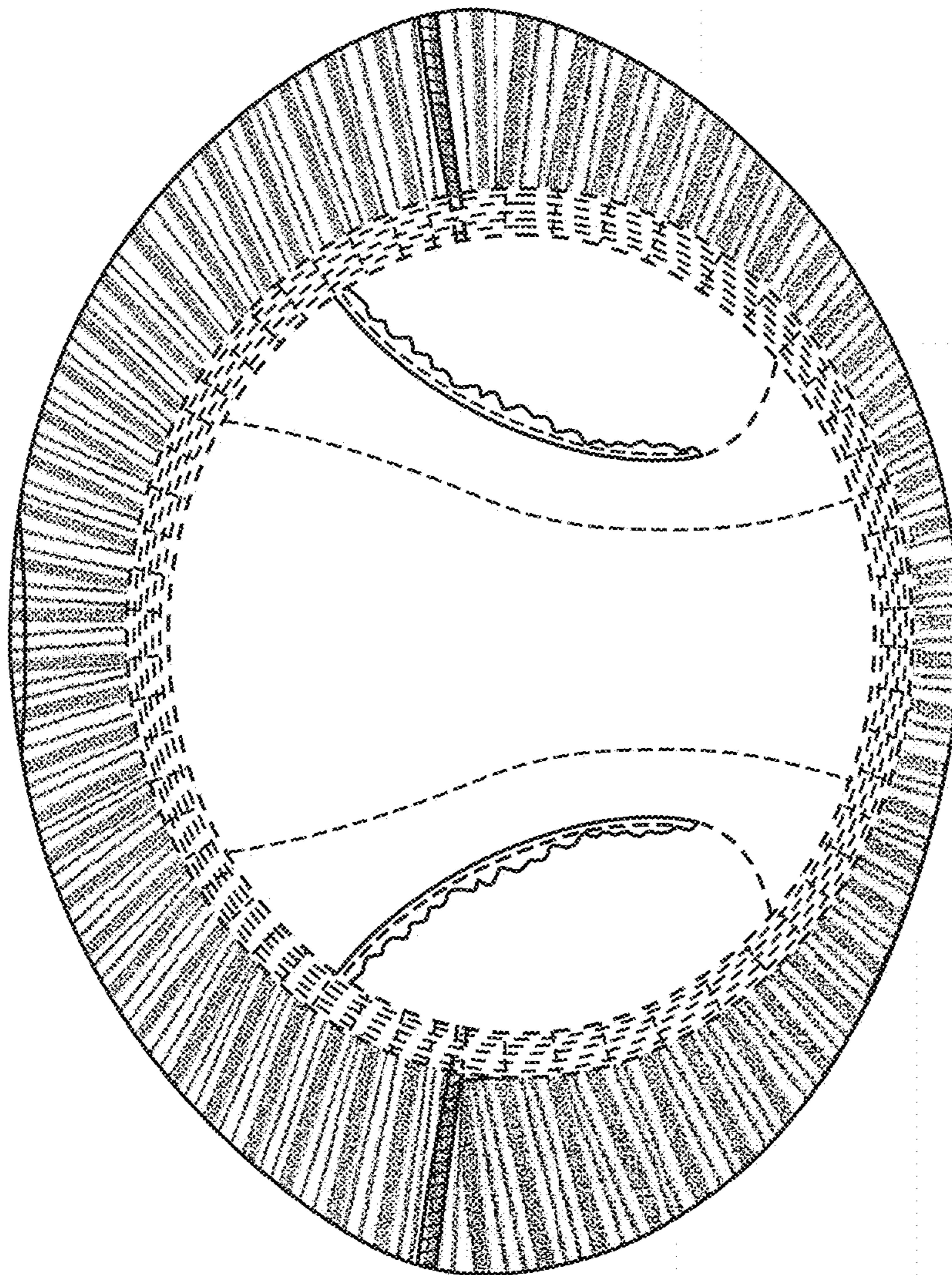


FIG. 6

