



US00D680212S

(12) **United States Design Patent**  
**Polkinghorne**

(10) **Patent No.:** **US D680,212 S**

(45) **Date of Patent:** **\*\* Apr. 16, 2013**

(54) **WINDOW VENT**

(76) **Inventor:** **David Lindsay Polkinghorne**, Maylands (AU)

(\*\*) **Term:** **14 Years**

(21) **Appl. No.:** **29/417,619**

(22) **Filed:** **Apr. 5, 2012**

(30) **Foreign Application Priority Data**

Oct. 6, 2011 (AU) ..... 14477/2011

(51) **LOC (9) Cl.** ..... **23-04**

(52) **U.S. Cl.**  
USPC ..... **D23/393**

(58) **Field of Classification Search** ..... D23/385-395,  
D23/397, 370-373, 365, 351, 354, 399-403,  
D23/421, 499; 454/309, 275-277, 284, 287-291,  
454/358-363; 52/302.1, 32.07  
See application file for complete search history.

(56) **References Cited**

**U.S. PATENT DOCUMENTS**

D247,947 S *	5/1978	Noll	.....	D23/399
4,471,757 A *	9/1984	Rogers	.....	D23/403
D285,480 S *	9/1986	Schulz	.....	D23/392
4,637,299 A *	1/1987	Harding	.....	454/276
D288,959 S *	3/1987	Schulz	.....	D23/392
D290,744 S *	7/1987	Whitley, II	.....	D23/388
D290,745 S *	7/1987	Whitley, II	.....	D23/388
D306,198 S *	2/1990	Matherne	.....	D23/365

D309,776 S *	8/1990	Rudolph	.....	D23/385
D321,551 S *	11/1991	Lundin	.....	D23/393
D364,225 S *	11/1995	Canney	.....	D23/386
D451,987 S *	12/2001	Flanagan et al.	.....	D23/386
6,601,356 B2 *	8/2003	Snyder	.....	52/302.1

\* cited by examiner

*Primary Examiner* — David Muller

(74) *Attorney, Agent, or Firm* — Klarquist Sparkman, LLP

(57) **CLAIM**

I claim the ornamental design for a window vent, as shown and described.

**DESCRIPTION**

FIG. 1 is a perspective view of a window vent as viewed from the front, bottom and left side, according to one embodiment. FIG. 2 is a left side elevation view of the window vent of FIG. 1.

FIG. 3 is a right side elevation view of the window vent of FIG. 1.

FIG. 4 is a bottom plan view of the window vent of FIG. 1.

FIG. 5 is a top plan view of the window vent of FIG. 1.

FIG. 6 is a front elevation view of the window vent of FIG. 1.

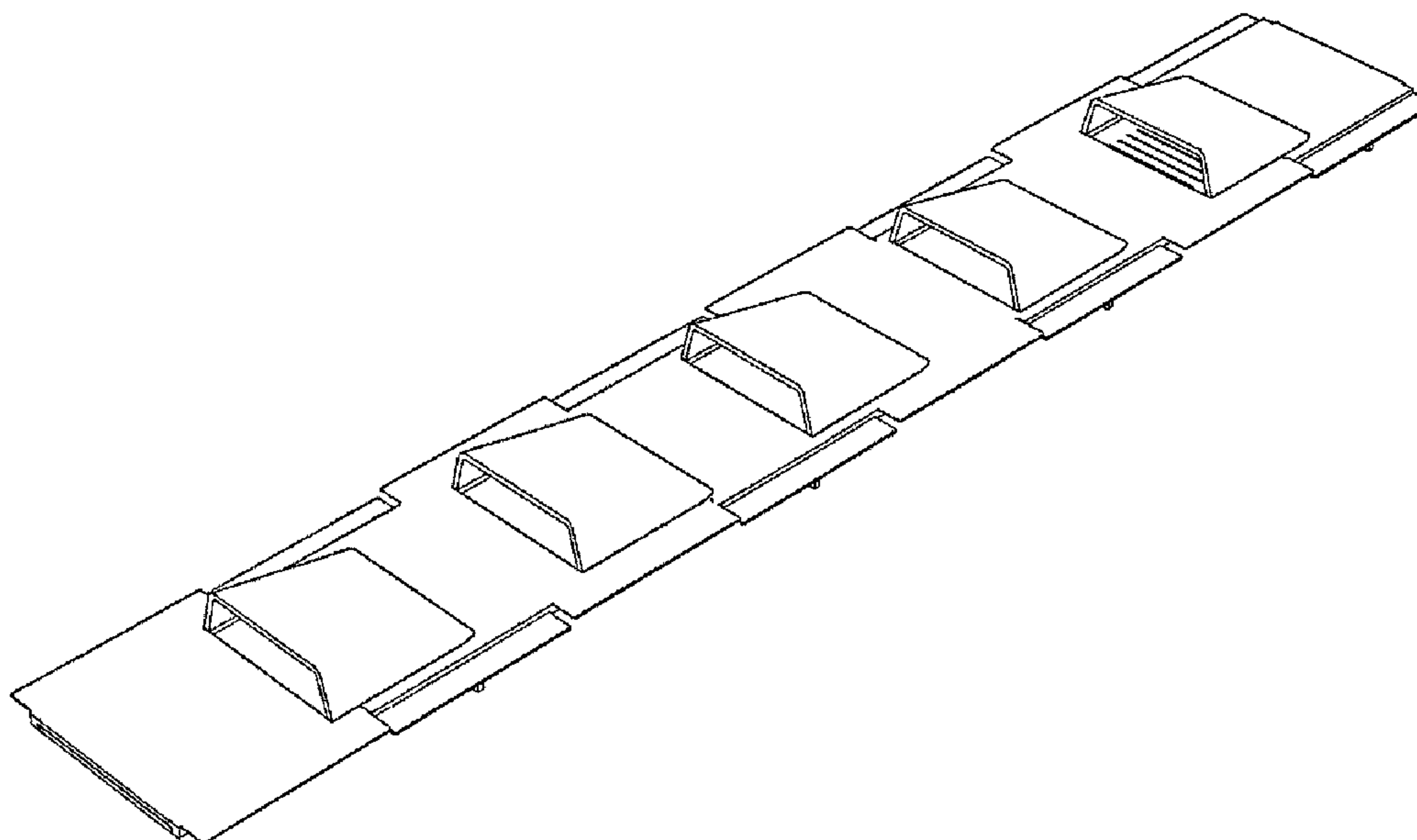
FIG. 7 is a rear elevation view of the window vent of FIG. 1.

FIG. 8 is a perspective view of the window vent of FIG. 1 when closed, as viewed from the rear, the bottom and the left side.

FIG. 9 is a rear elevation view similar to FIG. 7, except showing the window vent in an opened position; and,

FIG. 10 is a perspective view similar to FIG. 8, except showing the window vent in the opened position.

**1 Claim, 3 Drawing Sheets**



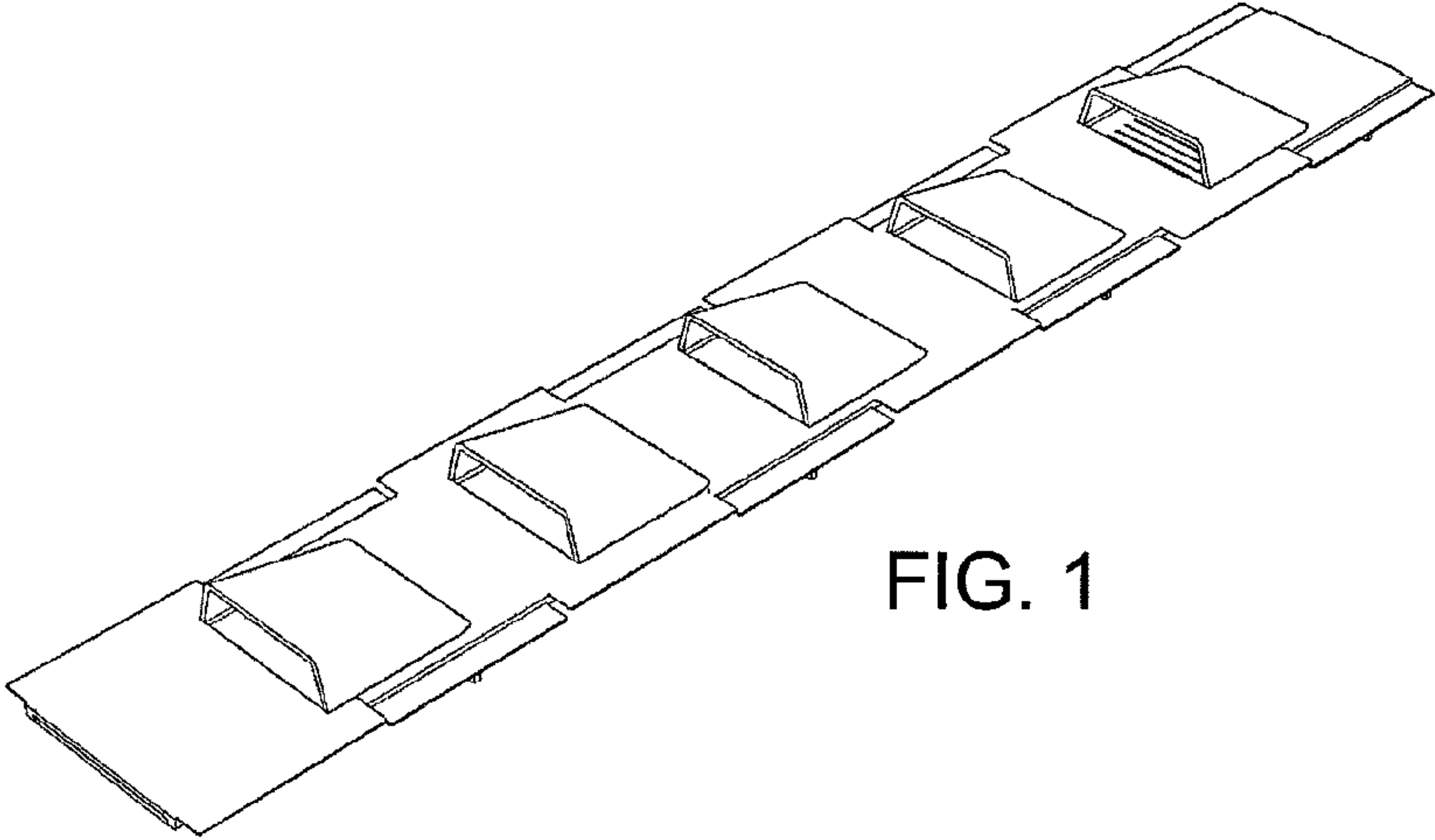


FIG. 1

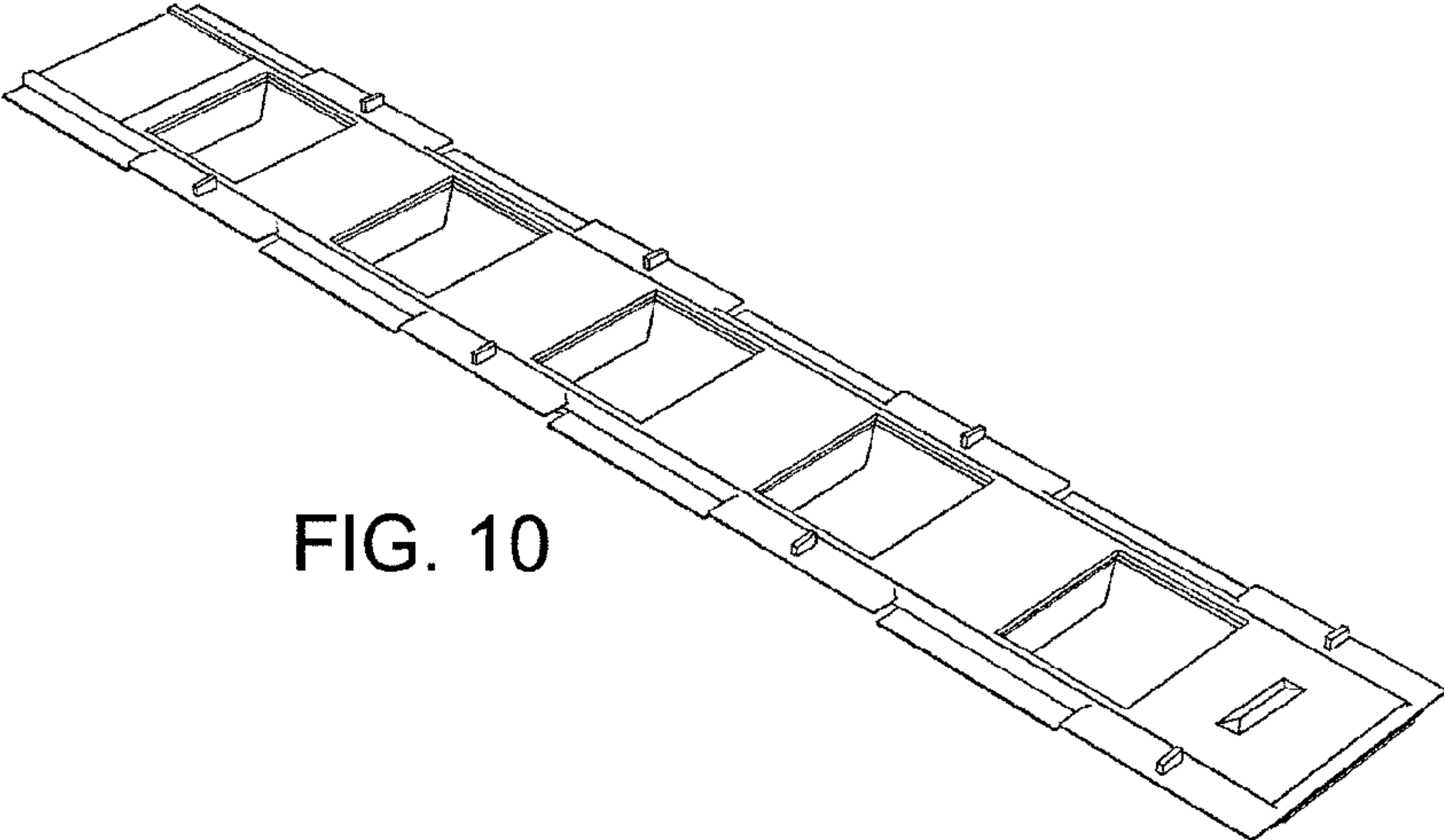


FIG. 10

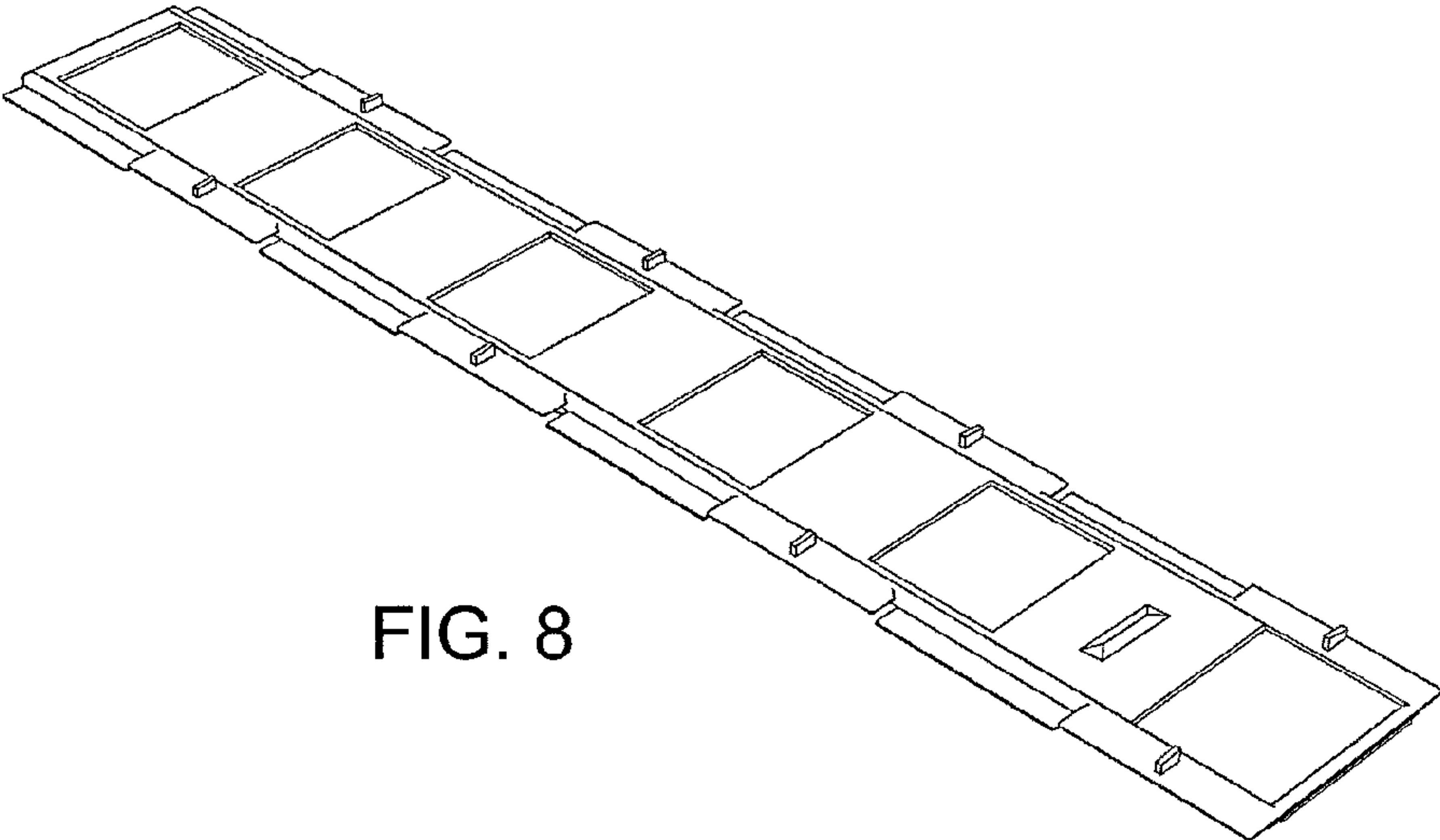


FIG. 8

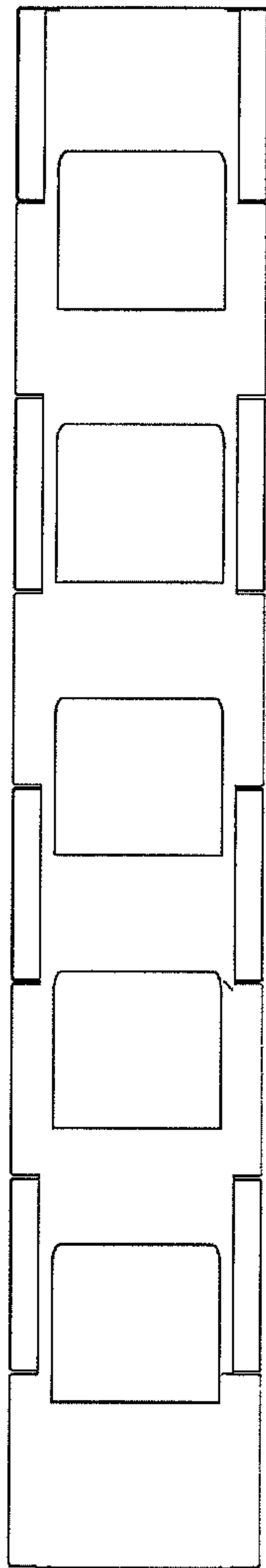


FIG. 6

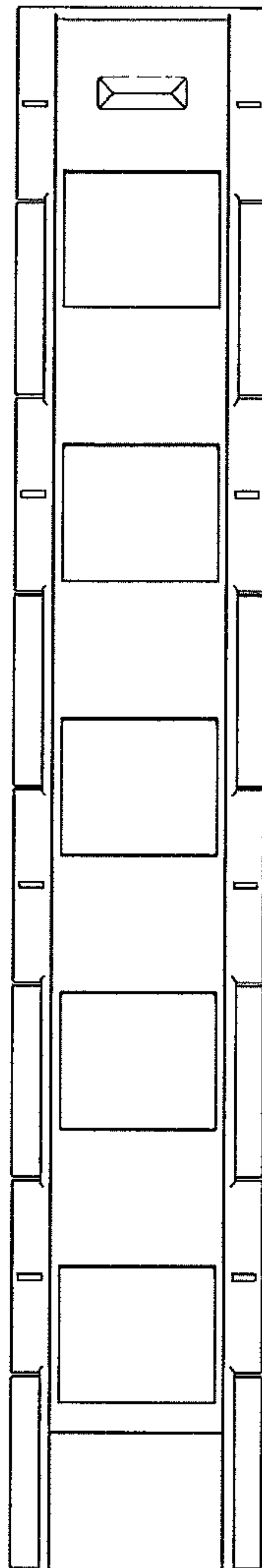


FIG. 9

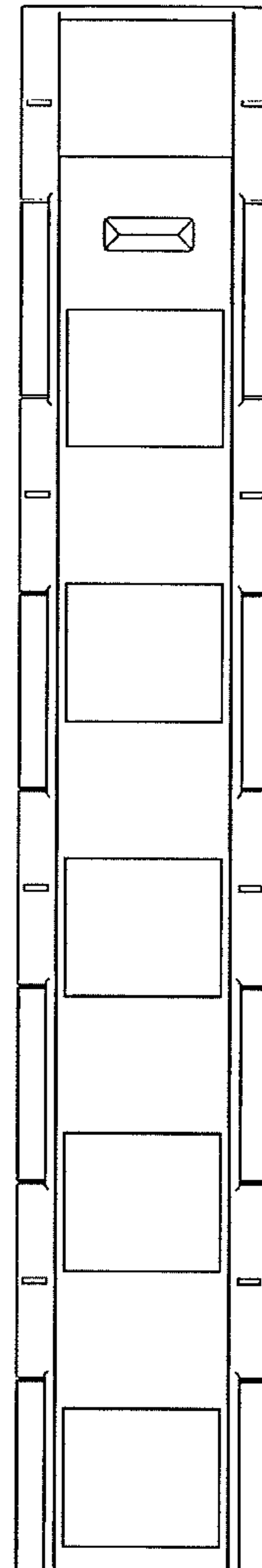


FIG. 7

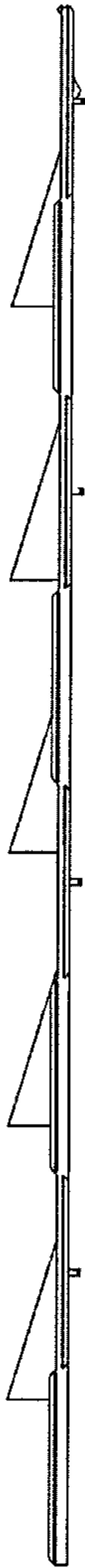


FIG. 2

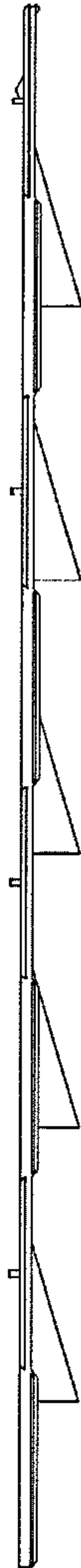


FIG. 3

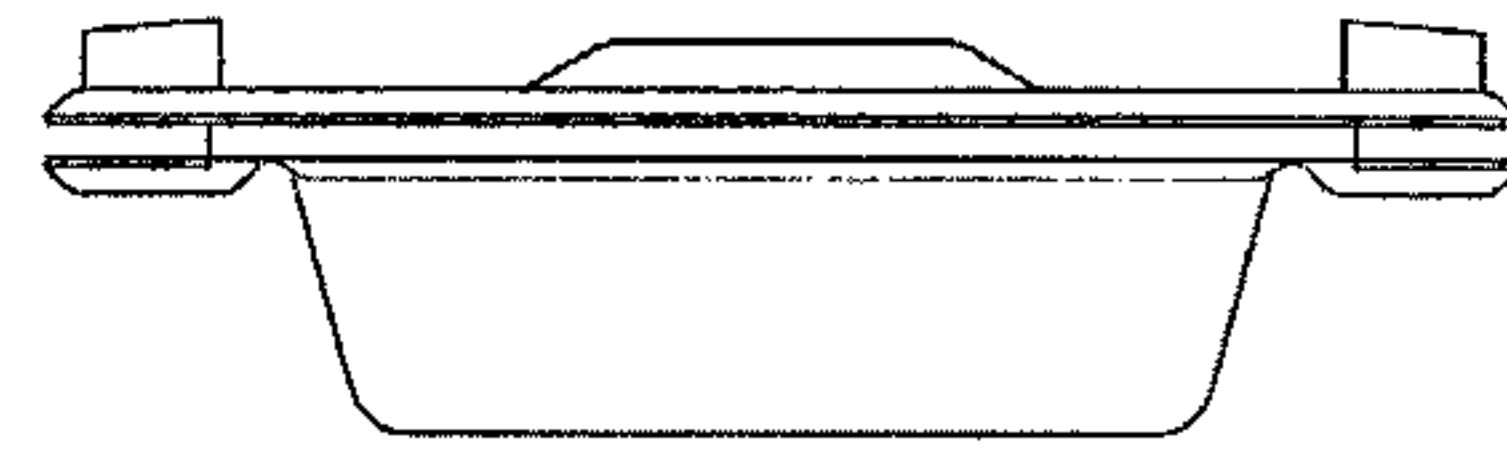


FIG. 5

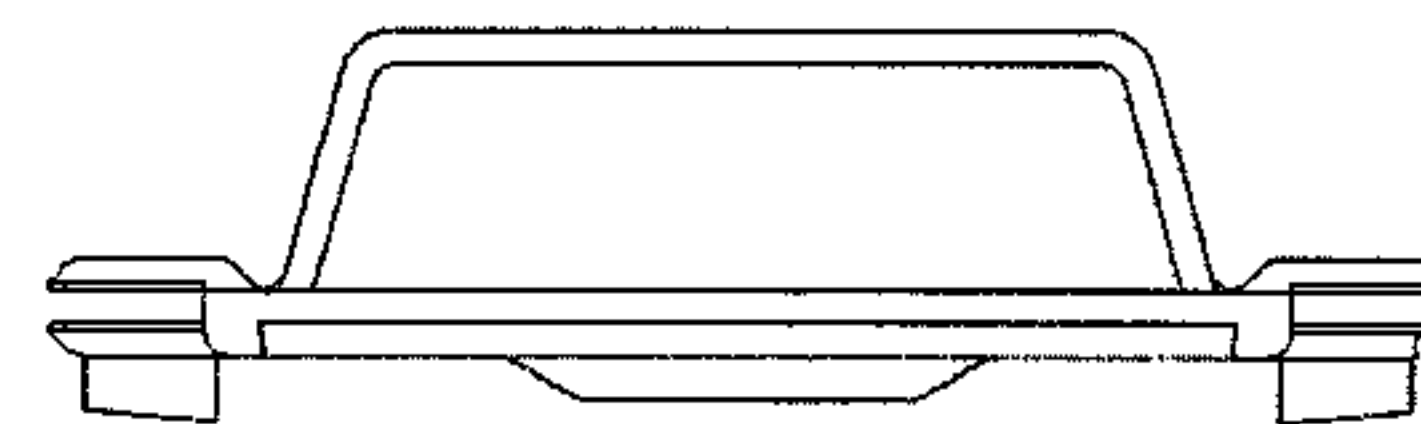


FIG. 4