



US00D680211S

(12) **United States Design Patent**  
**Birdsell et al.**

(10) **Patent No.:** **US D680,211 S**

(45) **Date of Patent:** **\*\* Apr. 16, 2013**

(54) **FAN**

(75) Inventors: **Walter Birdsell**, Marlborough, MA (US); **James Varney**, Maynard, MA (US); **Deborah Holtkamp**, Wrentham, MA (US)

(73) Assignee: **Master Brands HK Limited**, Hong Kong (HK)

(\*\*) Term: **14 Years**

(21) Appl. No.: **29/414,907**

(22) Filed: **Mar. 5, 2012**

(51) **LOC (9) Cl.** ..... **23-04**

(52) **U.S. Cl.**  
USPC ..... **D23/378**

(58) **Field of Classification Search** ..... D23/381–383, D23/370–379, 385–388, 393, 394, 399, 411–414, D23/355, 356, 336; 454/237–253, 186, 228–236; 52/302.1; 417/423.1, 423.14; 415/182.1, 415/200, 90; 416/244 R, 246, 247 R; D6/309; D21/430, 436, 442, 447, 450, 453, 458  
See application file for complete search history.

(56) **References Cited**

**U.S. PATENT DOCUMENTS**

D316,599 S *	4/1991	Wang	.....	D23/378
D355,483 S *	2/1995	Litvin et al.	.....	D23/378
D414,858 S *	10/1999	Litvin et al.	.....	D23/378
D416,081 S *	11/1999	Lee	.....	D23/378
D418,913 S *	1/2000	Thakur	.....	D23/378
D420,734 S *	2/2000	Thakur	.....	D23/378
D424,681 S *	5/2000	Lozzio et al.	.....	D23/378
D438,947 S *	3/2001	Wang	.....	D23/378
D480,130 S *	9/2003	Bucher et al.	.....	D23/378
D482,770 S *	11/2003	Bucher et al.	.....	D23/378

D484,965 S *	1/2004	Wong	.....	D23/378
D507,828 S *	7/2005	Lee	.....	D23/378
D511,570 S *	11/2005	Ke	.....	D23/378

\* cited by examiner

*Primary Examiner* — George D Kirschbaum

*Assistant Examiner* — Janice Hallmark

(74) *Attorney, Agent, or Firm* — Stroock & Stroock & Lavan LLP

(57) **CLAIM**

The ornamental design for a fan, as shown and described.

**DESCRIPTION**

FIG. 1 is a perspective view of a fan constructed in accordance with a first embodiment of the present invention; FIG. 2 is a front view of the fan of FIG. 1; FIG. 3 is a back view of the fan of FIG. 1; FIG. 4 is a left side view of the fan of FIG. 1; FIG. 5 is a right side view of the fan of FIG. 1; FIG. 6 is a top view of the fan of FIG. 1; and FIG. 7 is a bottom view of the fan of FIG. 1. FIG. 8 is a perspective view of a fan constructed in accordance with a second embodiment of the present invention; FIG. 9 is a front view of the fan of FIG. 8; FIG. 10 is a back view of the fan of FIG. 8; FIG. 11 is a left side view of the fan of FIG. 8; FIG. 12 is a right side view of the fan of FIG. 8; FIG. 13 is a top view of the fan of FIG. 8; and, FIG. 14 is a bottom view of the fan of FIG. 8.

The broken line showing of controls and structure is included for the purpose of illustrating portions of the “article” and forms no part of the claimed design.

**1 Claim, 8 Drawing Sheets**

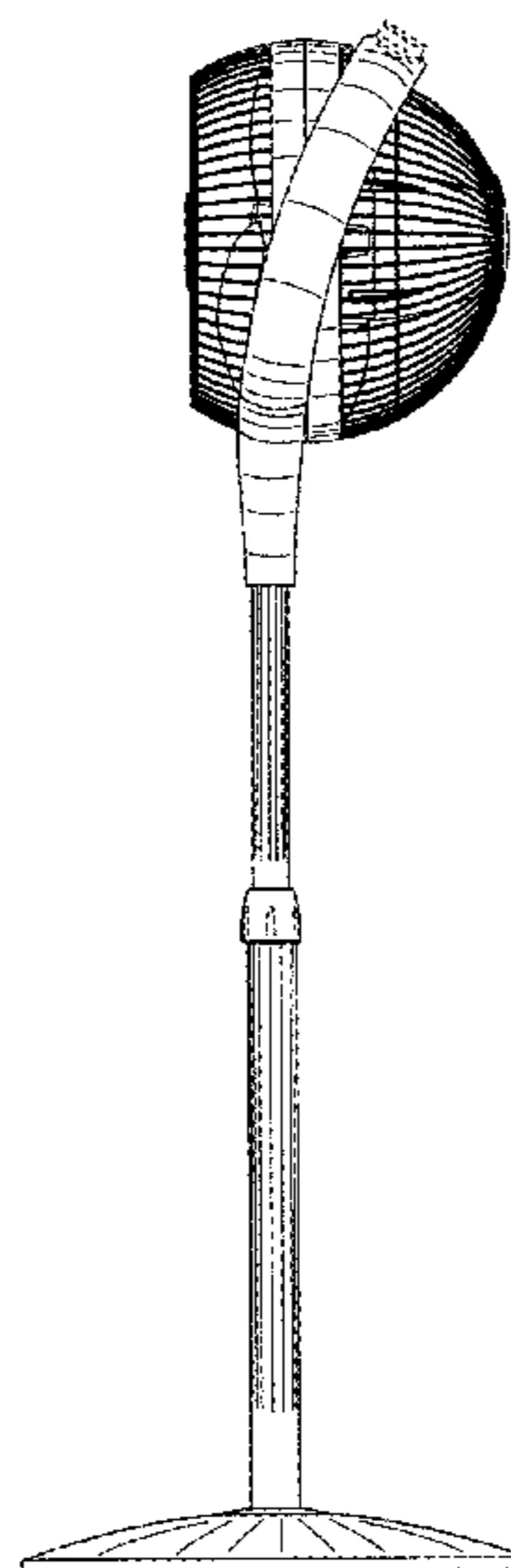
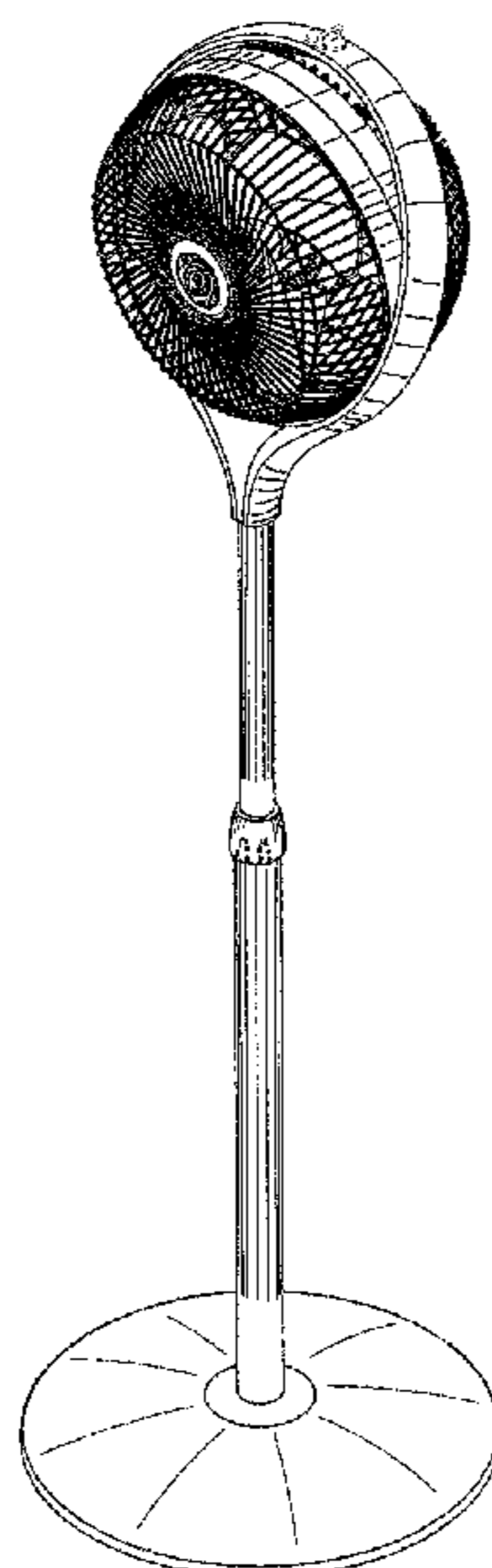


FIG. 1

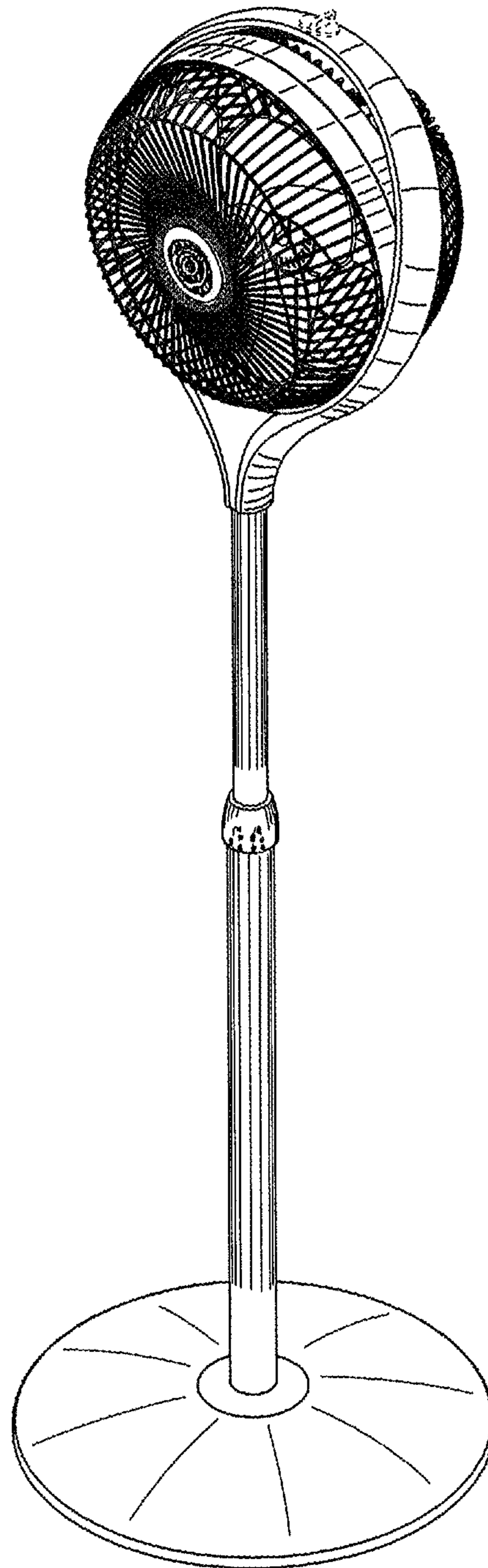


FIG. 2

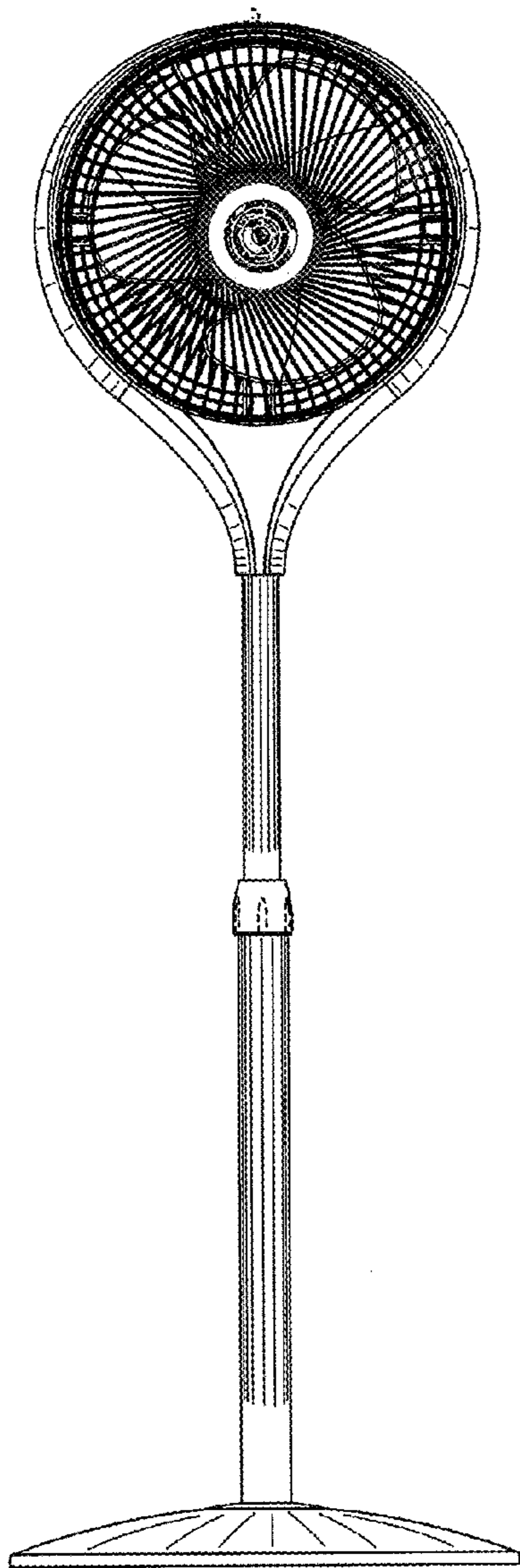


FIG. 3

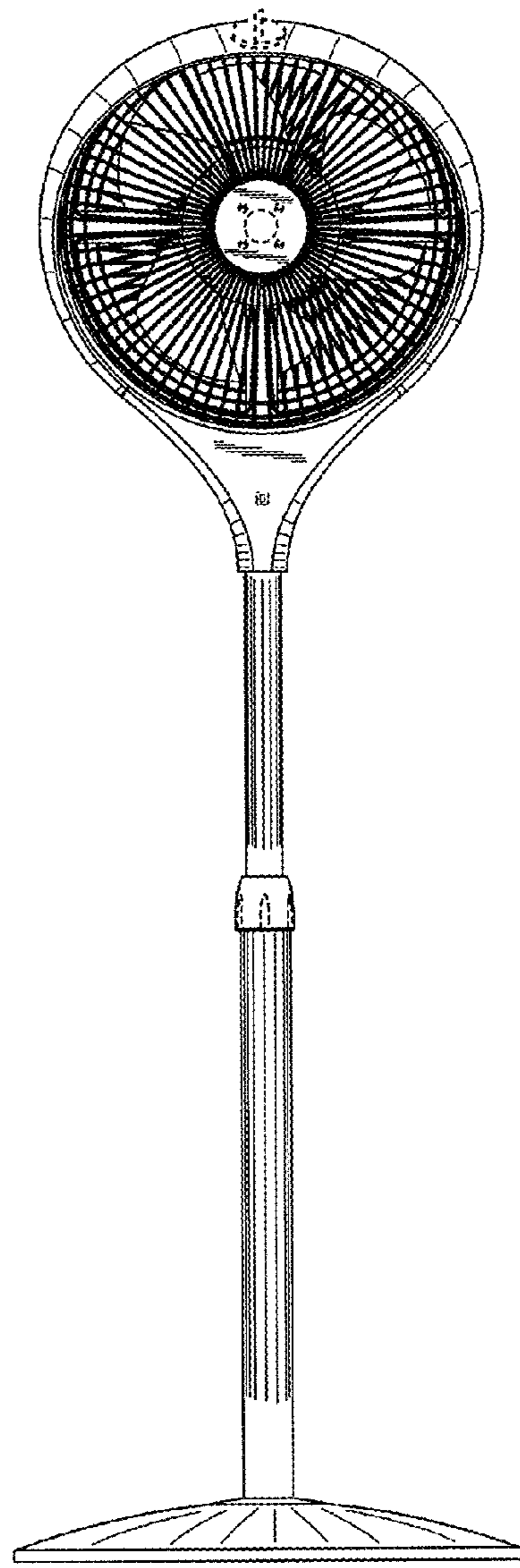


FIG. 4

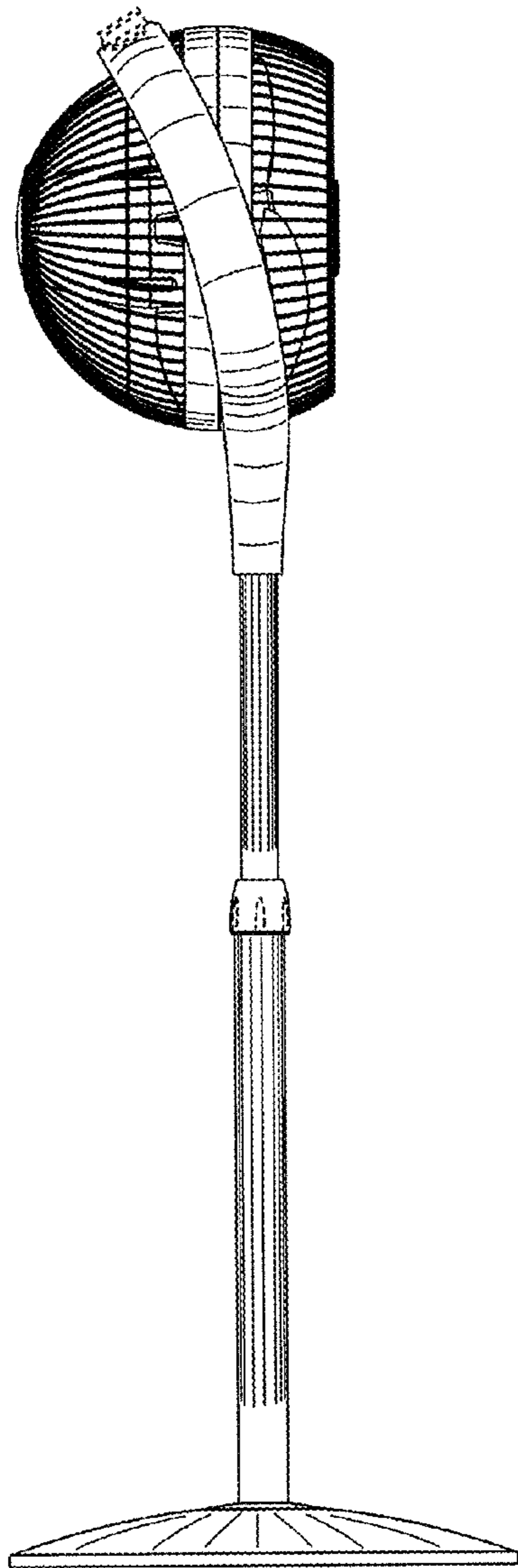


FIG. 5

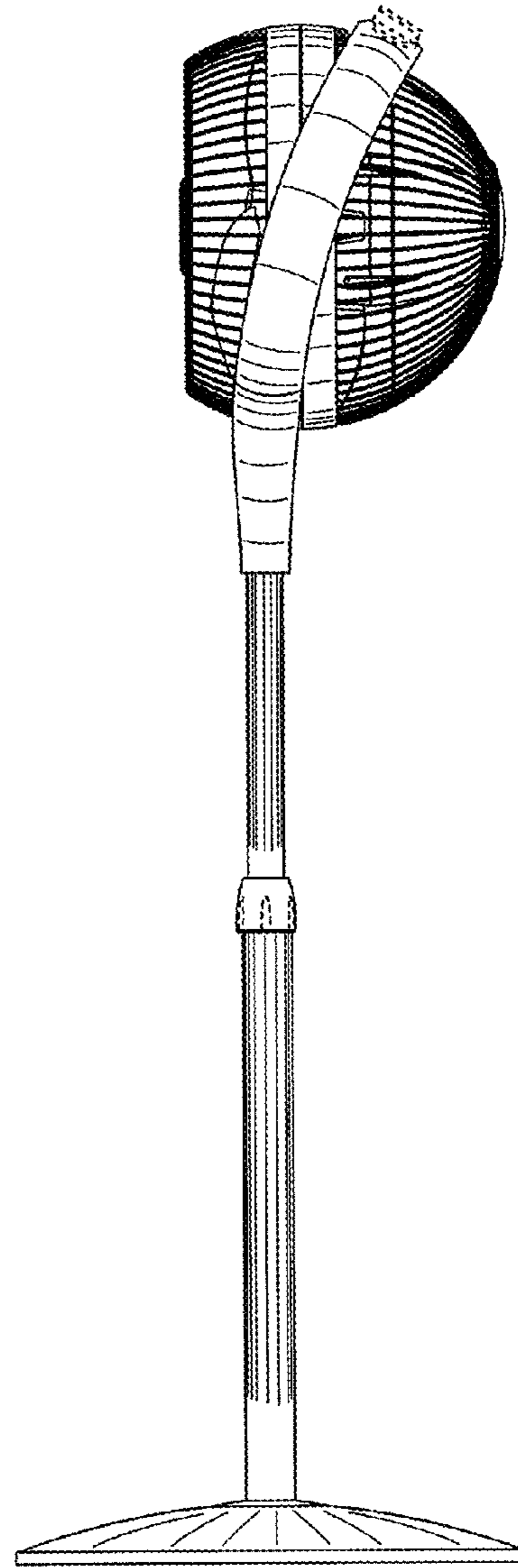


FIG. 6

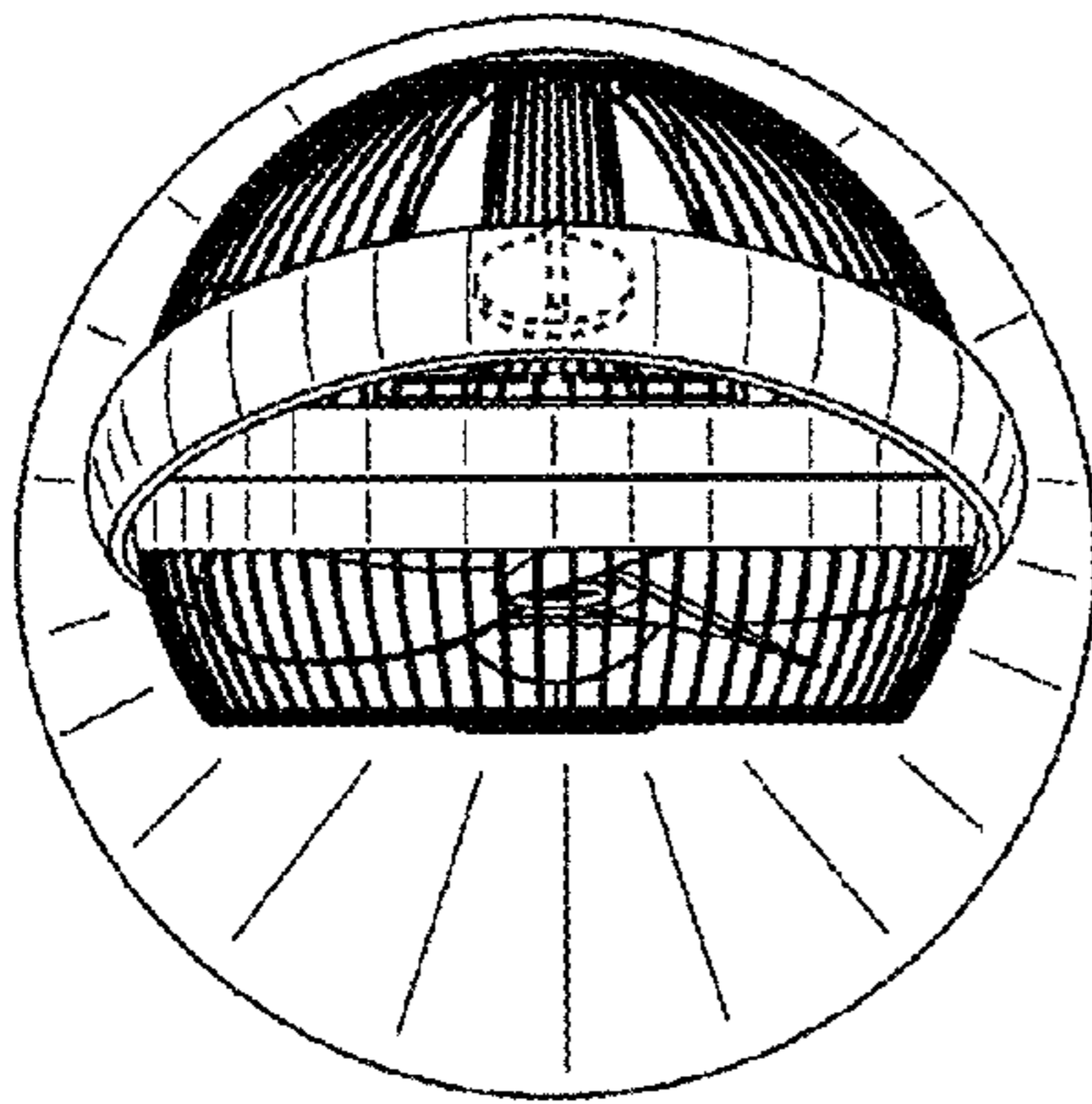


FIG. 7

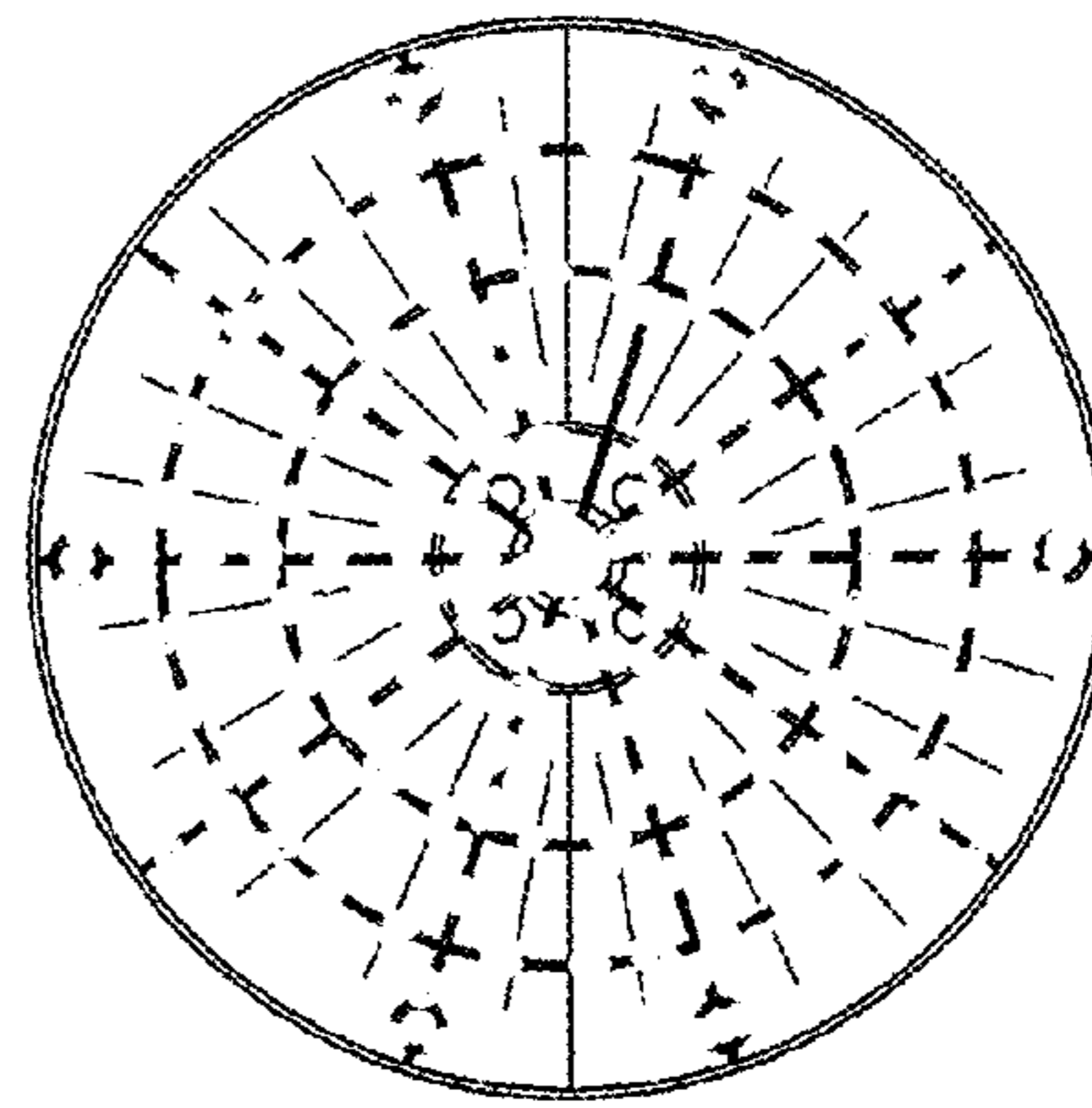


FIG. 8

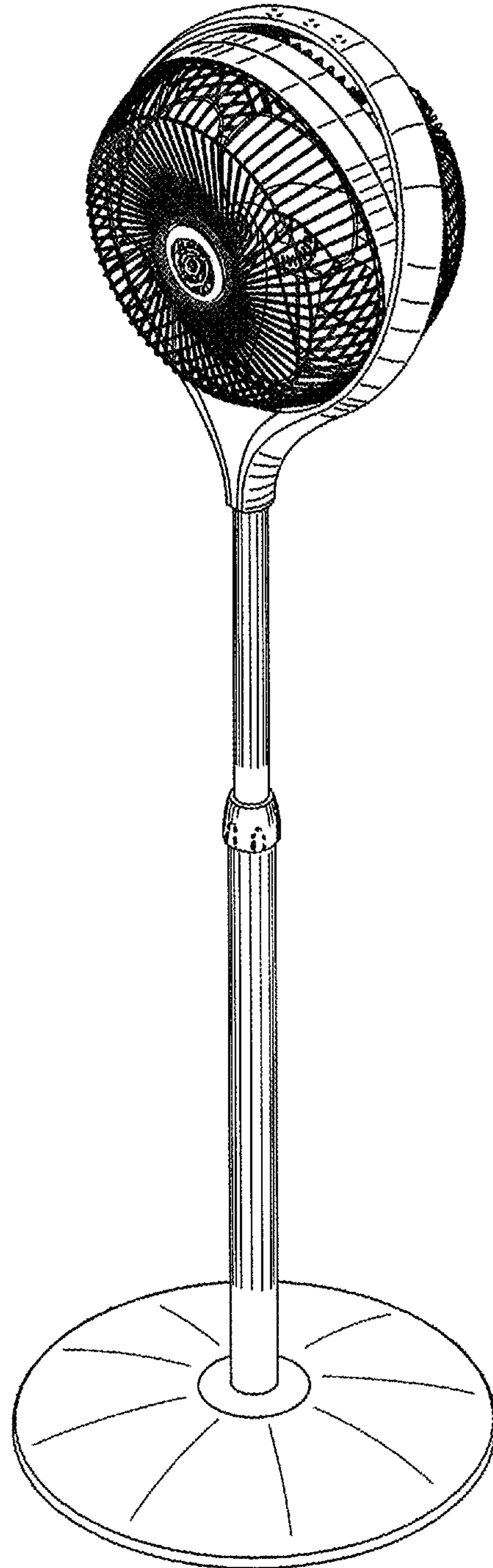


FIG. 9

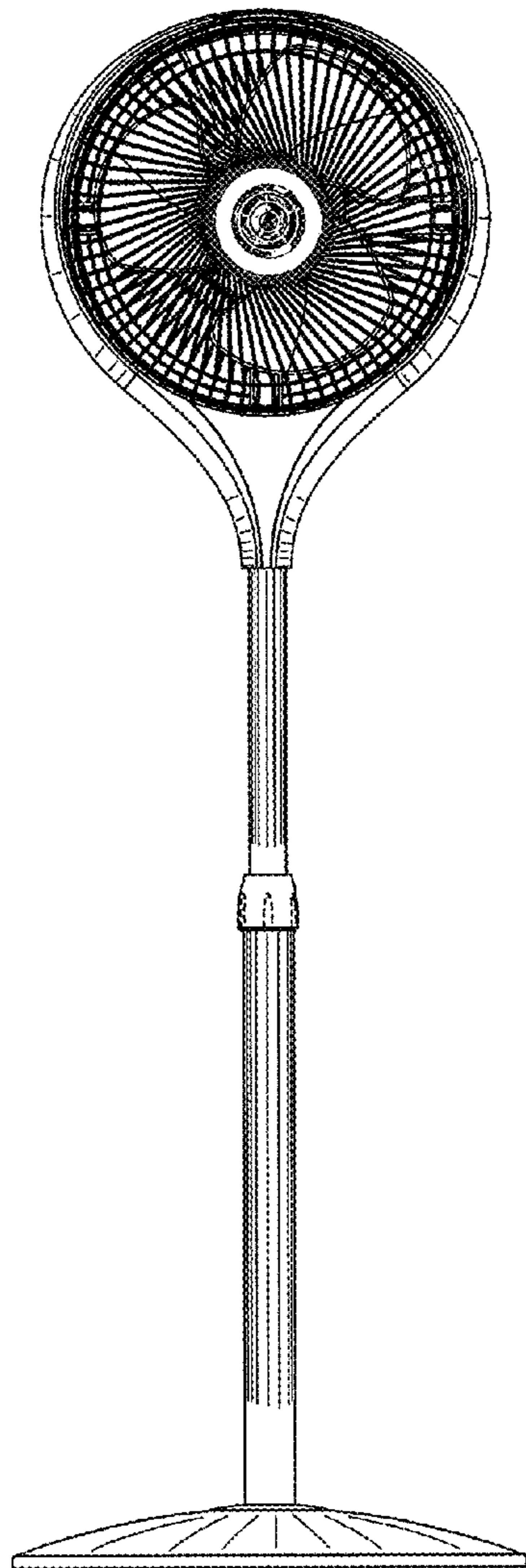


FIG. 10

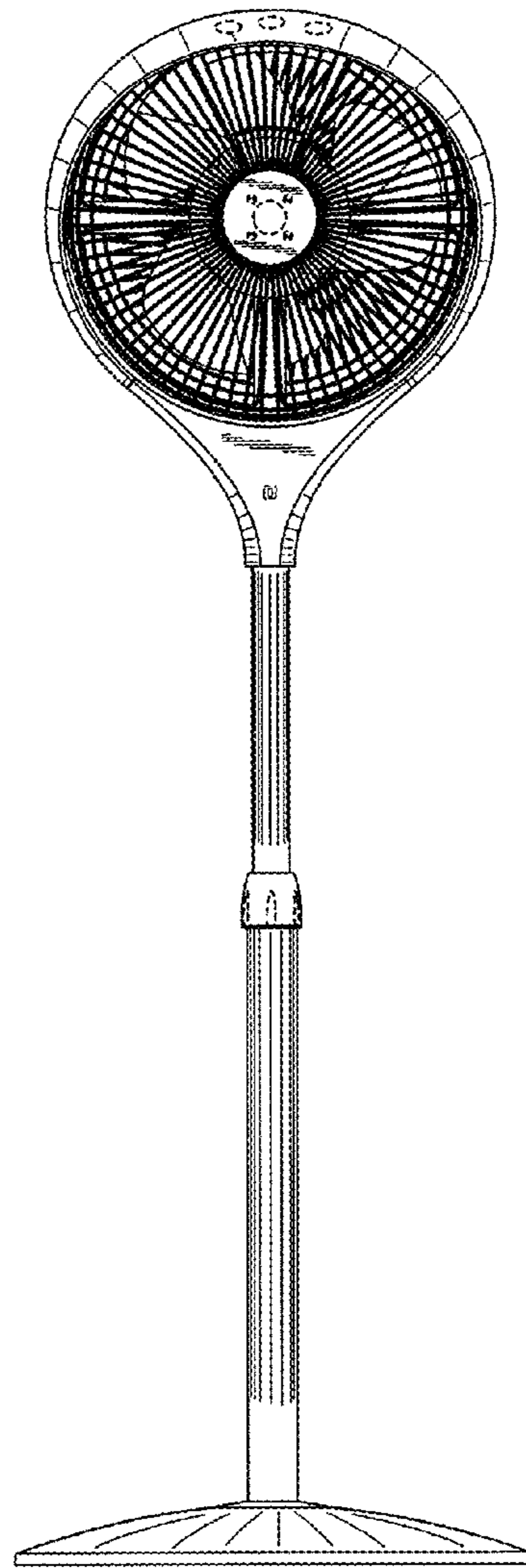


FIG. 11

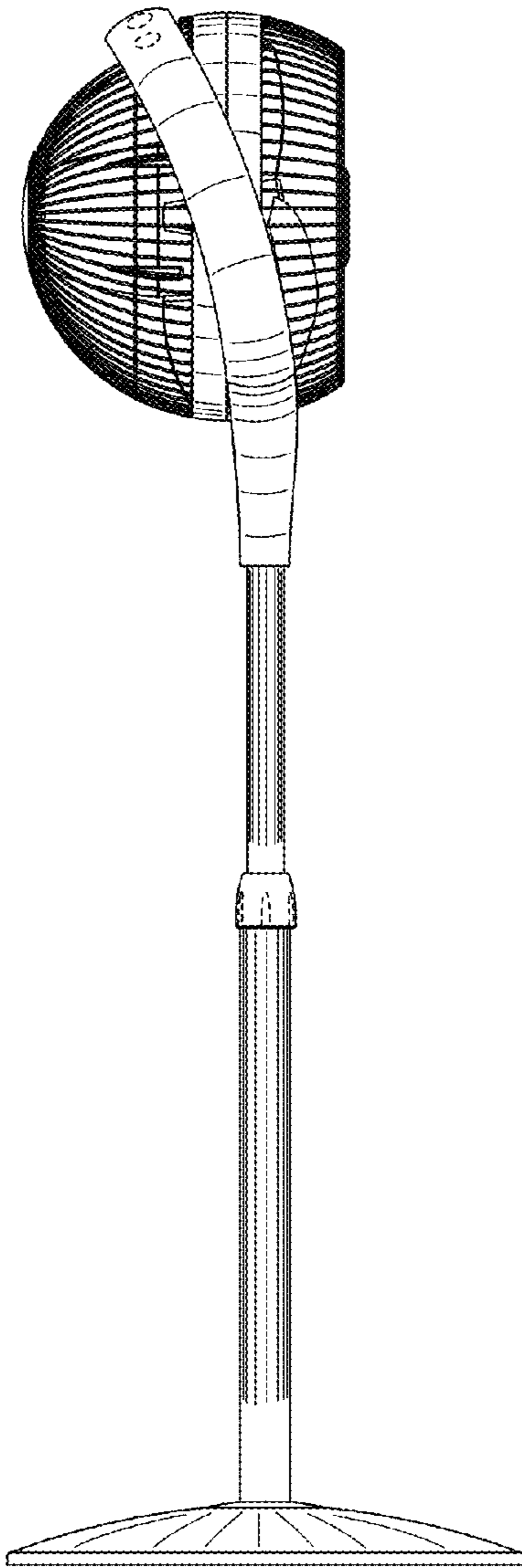


FIG. 12

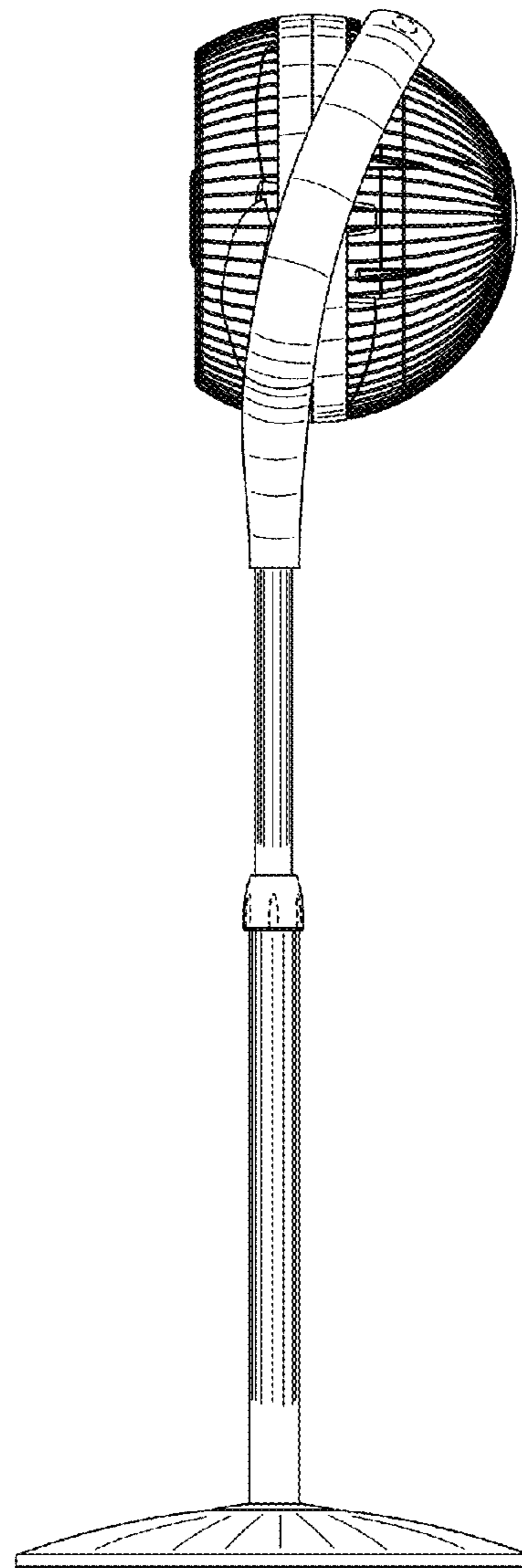




FIG. 13

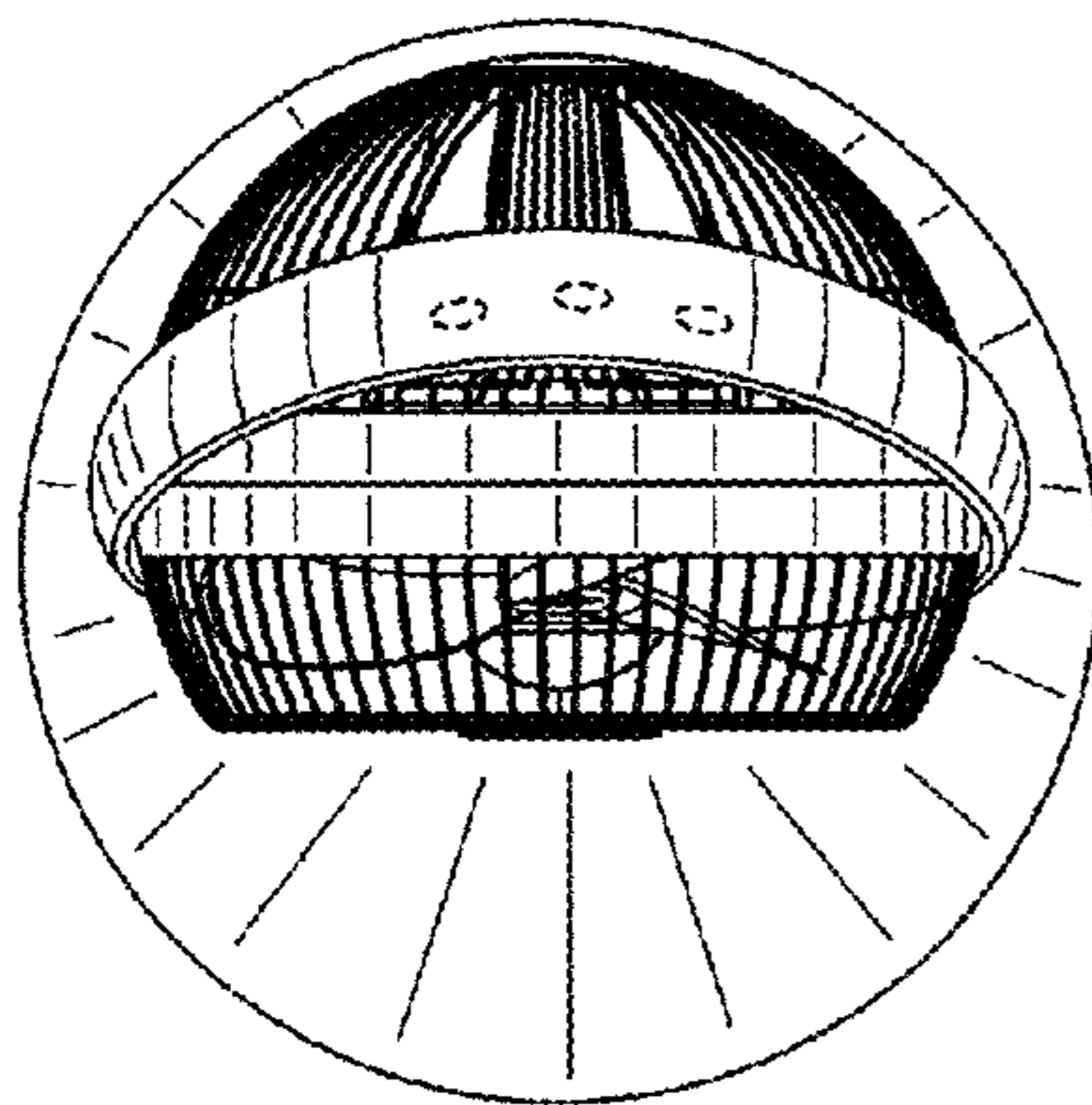


FIG. 14

