



US00D680210S

(12) **United States Design Patent**  
**Chan**

(10) **Patent No.:** **US D680,210 S**  
(45) **Date of Patent:** **\*\* Apr. 16, 2013**

(54) **CEILING FAN**

(75) Inventor: **Wing Hang Chan**, Kowloon (HK)

(73) Assignee: **Win Global Electrical Appliance Limited**, Kowloon (HK)

(\*\*) Term: **14 Years**

(21) Appl. No.: **29/397,587**

(22) Filed: **Jul. 19, 2011**

(51) **LOC (9) Cl.** ..... **23-04**

(52) **U.S. Cl.**  
USPC ..... **D23/377**

(58) **Field of Classification Search** ..... D13/179;  
D23/370-394, 411-414; D26/51, 59, 72,  
D26/81-86; 34/169; 52/302.1, 302.7; 55/DIG. 36;  
123/41.7; 126/58, 60, 61, 64-66, 84, 299 D-299 F,  
126/299 R, 300, 301, 312, 531; 138/118,  
138/121, 172, 173, 177; 165/54, 59; 285/133.6;  
392/364; 415/126, 127, 213.1, 214.1; 416/5,  
416/204 R, 210 R, 234, 237, 244 R, 247 R;  
454/41, 42, 233, 236, 250-253, 275-277,  
454/284, 309, 367, 368

See application file for complete search history.

(56) **References Cited**

U.S. PATENT DOCUMENTS

D323,028 S *	1/1992	Holbrook .....	D23/377
D357,978 S *	5/1995	Young .....	D23/377
D408,518 S *	4/1999	Liu .....	D23/377
D421,797 S *	3/2000	Collmar .....	D23/377
D456,503 S *	4/2002	Young .....	D23/413
D467,327 S *	12/2002	Frampton .....	D23/377
D475,775 S *	6/2003	Da Costa .....	D23/377
D478,974 S *	8/2003	Hidalgo .....	D23/377
D484,964 S *	1/2004	Young .....	D23/377
D510,763 S *	10/2005	Da Costa .....	D23/377
D515,196 S *	2/2006	Indio da Costa .....	D23/377
D612,476 S *	3/2010	Noble .....	D23/377

\* cited by examiner

*Primary Examiner* — Garth Rademaker

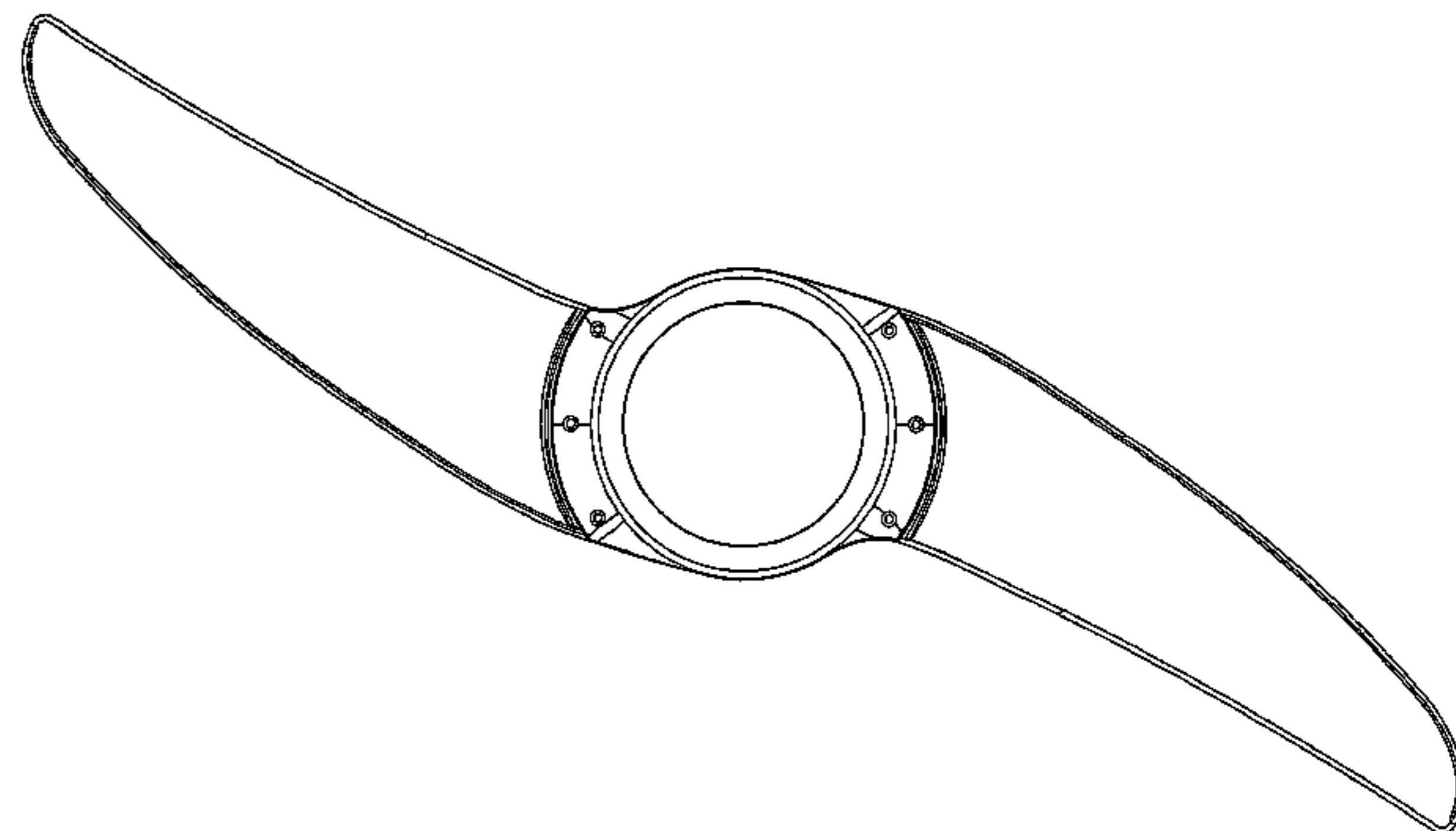
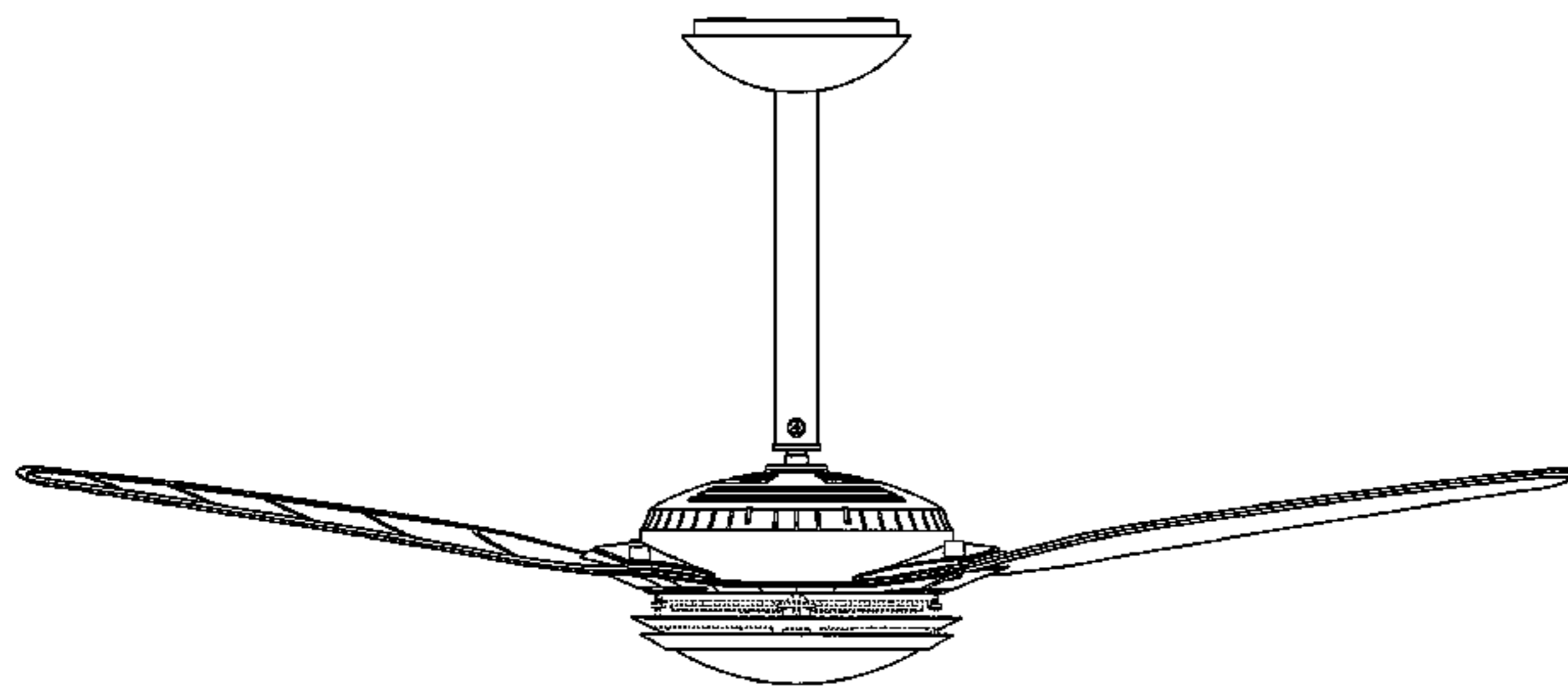
(57) **CLAIM**

The ornamental design for a ceiling fan, as shown and described.

**DESCRIPTION**

FIG. 1 is a front elevational view of a ceiling fan showing my new design;  
FIG. 2 is a left side view thereof;  
FIG. 3 is a right side view thereof;  
FIG. 4 is a top plan view thereof; and,  
FIG. 5 is a bottom plan view thereof.  
The broken lines depict portions of the ceiling fan which form no part of the claimed design.

**1 Claim, 5 Drawing Sheets**



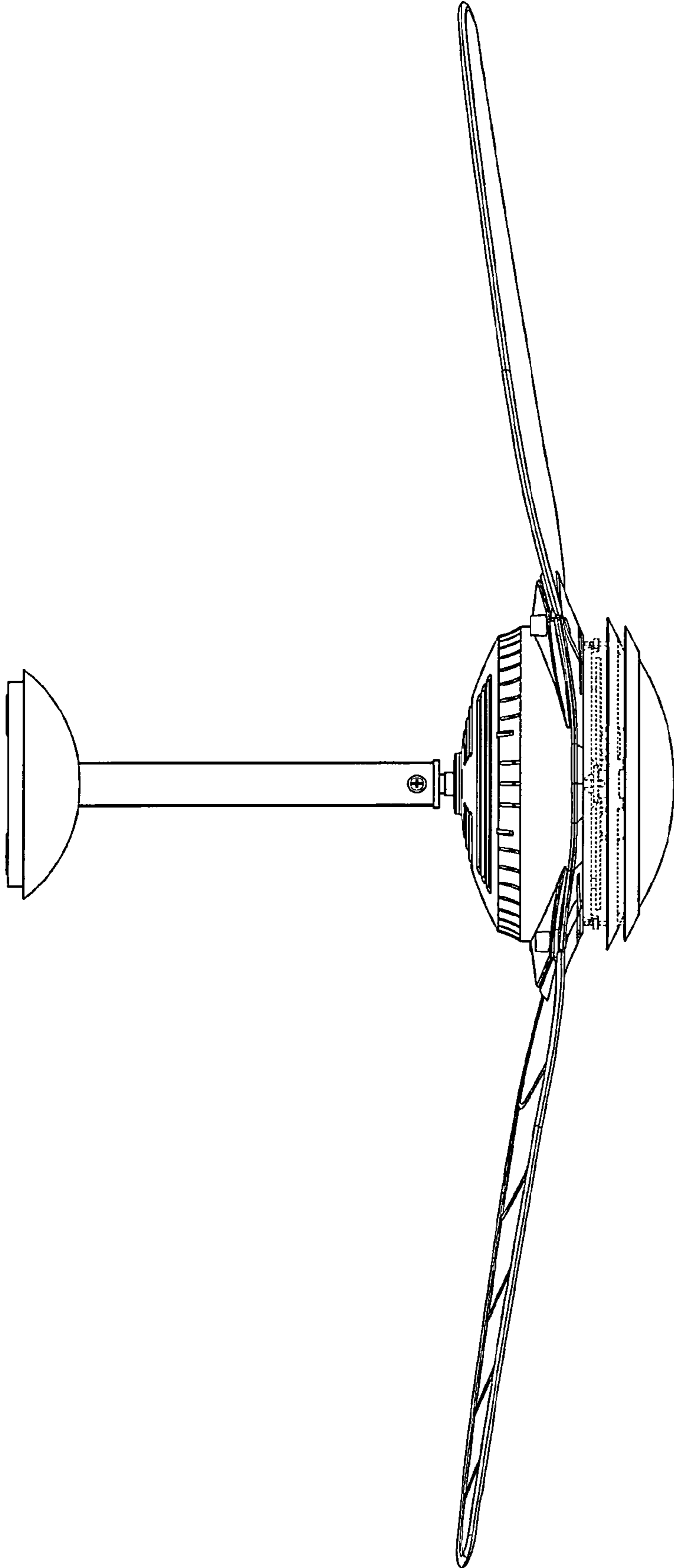


FIG. 1

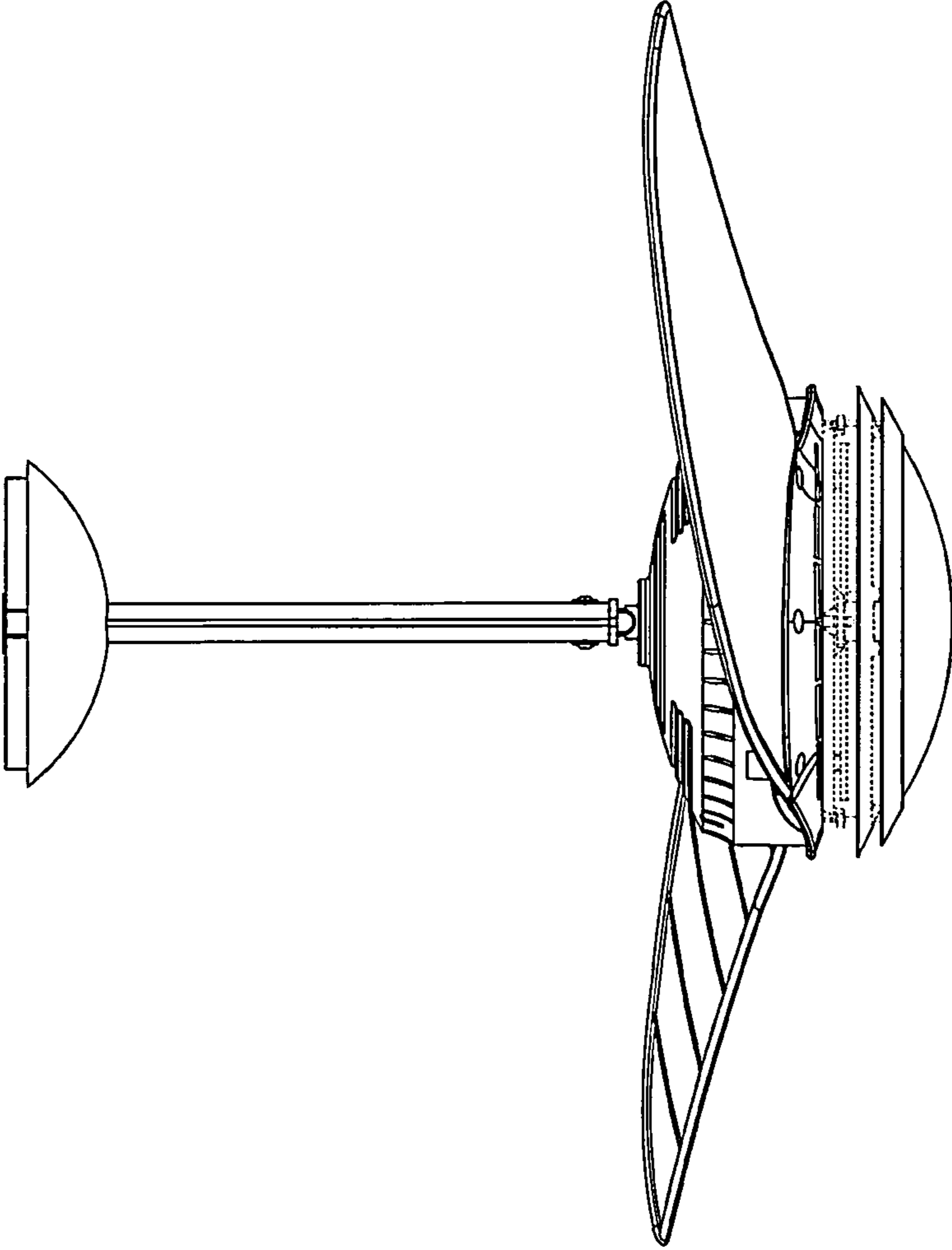


FIG. 2

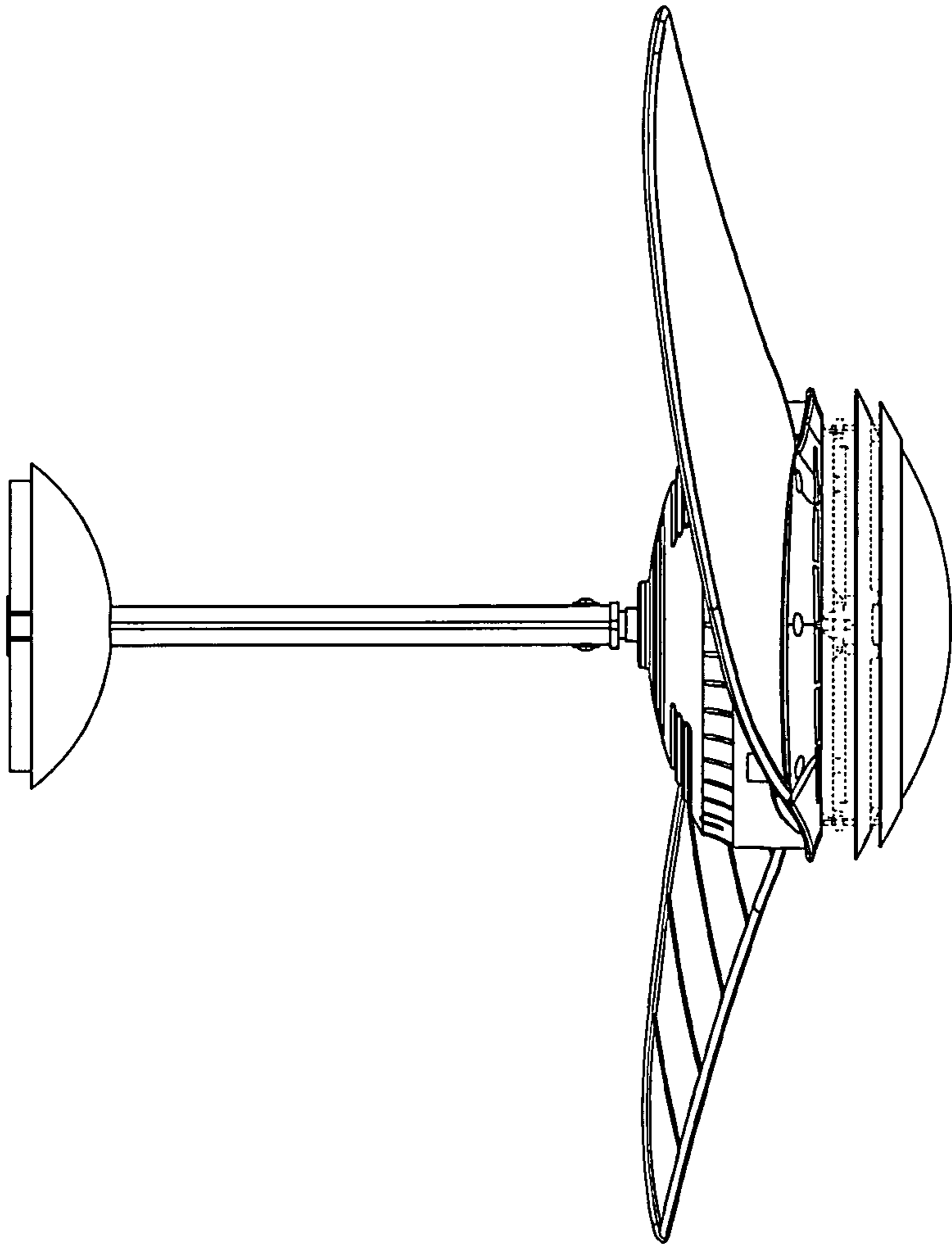


FIG. 3

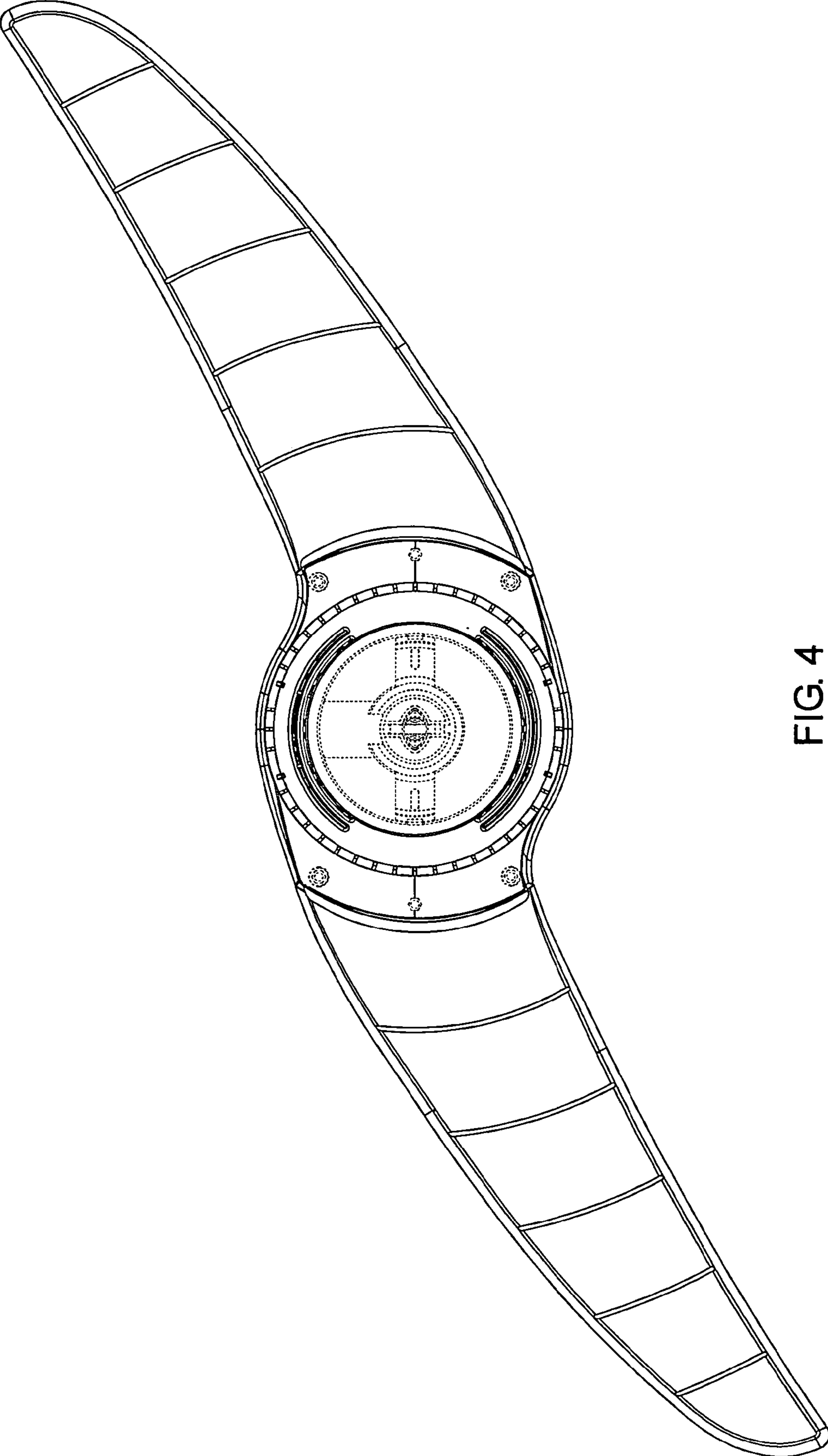


FIG. 4

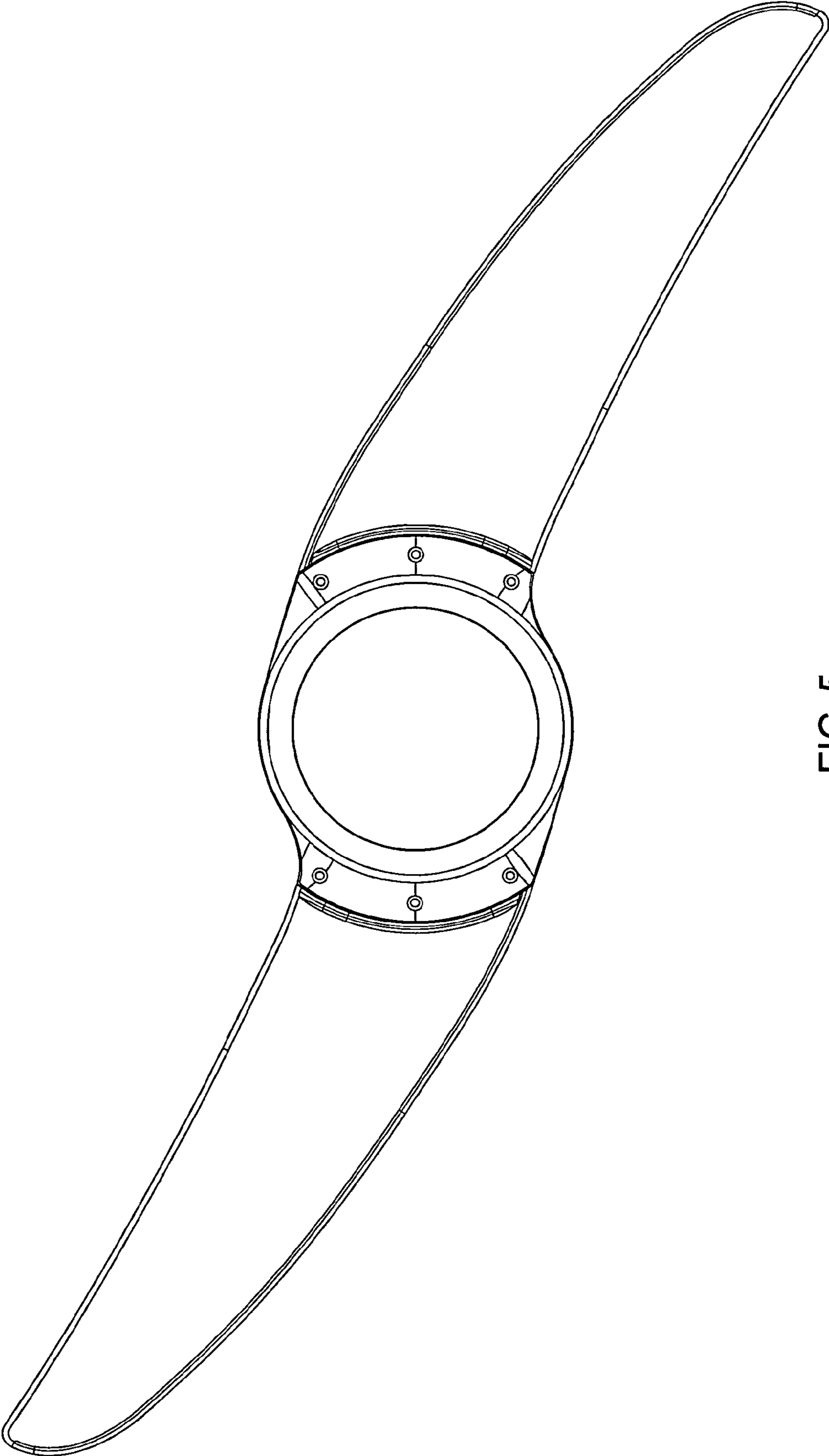


FIG. 5