



US00D680209S

(12) **United States Design Patent**
Yen

(10) **Patent No.:** **US D680,209 S**
(45) **Date of Patent:** **** Apr. 16, 2013**

(54) **MISTING FAN**

(71) Applicant: **Yu-Chi Yen**, Changhua County (TW)

(72) Inventor: **Yu-Chi Yen**, Changhua County (TW)

(**) Term: **14 Years**

(21) Appl. No.: **29/435,620**

(22) Filed: **Oct. 25, 2012**

(51) **LOC (9) Cl.** **23-04**

(52) **U.S. Cl.**

USPC **D23/370**; D23/382; D23/328

(58) **Field of Classification Search** D23/381–383,
D23/370–379, 385–388, 393, 394, 399, 411–414,
D23/355, 356, 336; 454/237–253, 186, 228–236;
52/302.1; 417/423.1, 423.14; 415/182.1,
415/200, 90; 416/244 R, 246, 247 R; D6/309;
D21/430, 436, 442, 447, 450, 453, 458
See application file for complete search history.

(56) **References Cited**

U.S. PATENT DOCUMENTS

- D449,877 S * 10/2001 Delmenico et al. D23/356
- D514,688 S * 2/2006 Avedon D23/379
- D631,148 S * 1/2011 Benton et al. D23/370

* cited by examiner

Primary Examiner — George D Kirschbaum

Assistant Examiner — Janice Hallmark

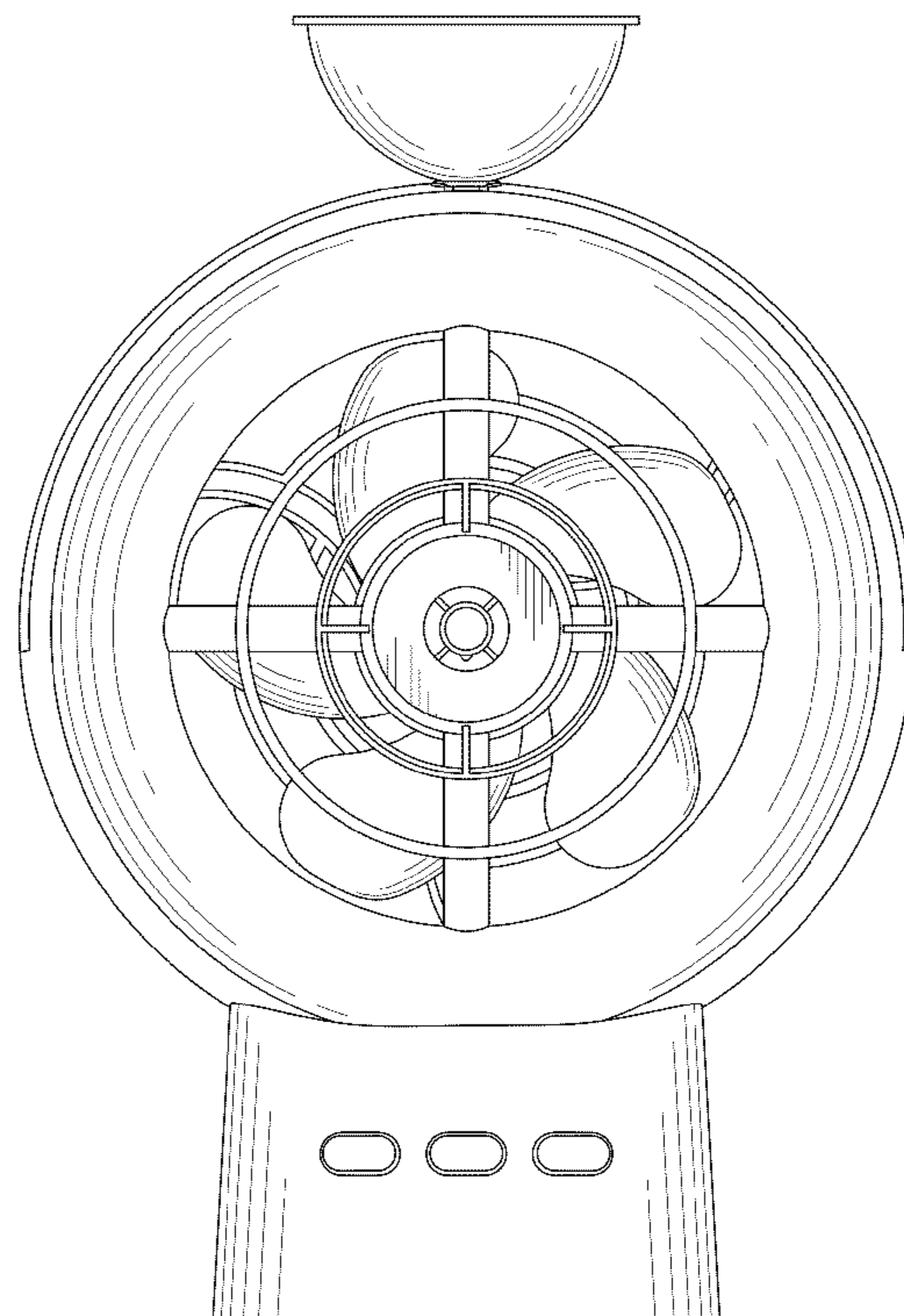
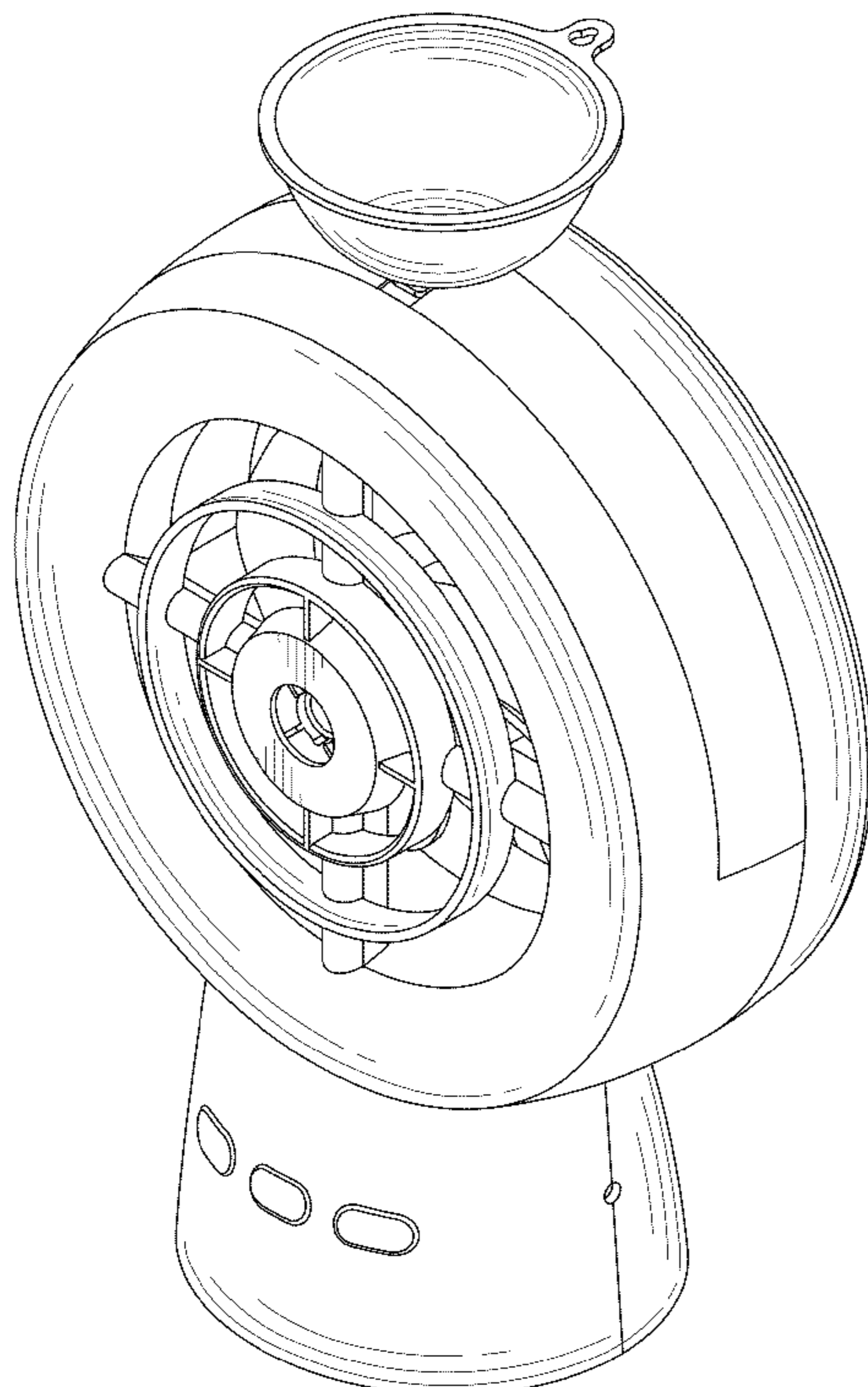
(57) **CLAIM**

The ornamental design for a misting fan, as shown and described.

DESCRIPTION

FIG. 1 is a perspective view of a misting fan showing my new design;
 FIG. 2 is a front elevational view thereof;
 FIG. 3 is a rear elevational view thereof;
 FIG. 4 is a left side view thereof;
 FIG. 5 is a right side view thereof;
 FIG. 6 is a top plan view thereof;
 FIG. 7 is a bottom plan view thereof;
 FIG. 8 is another perspective view thereof; and,
 FIG. 9 is an assembled view for showing the misting fan is assembled to a base, wherein the broken line portion is for illustrative purpose only and forms no part of the claimed design.

1 Claim, 8 Drawing Sheets



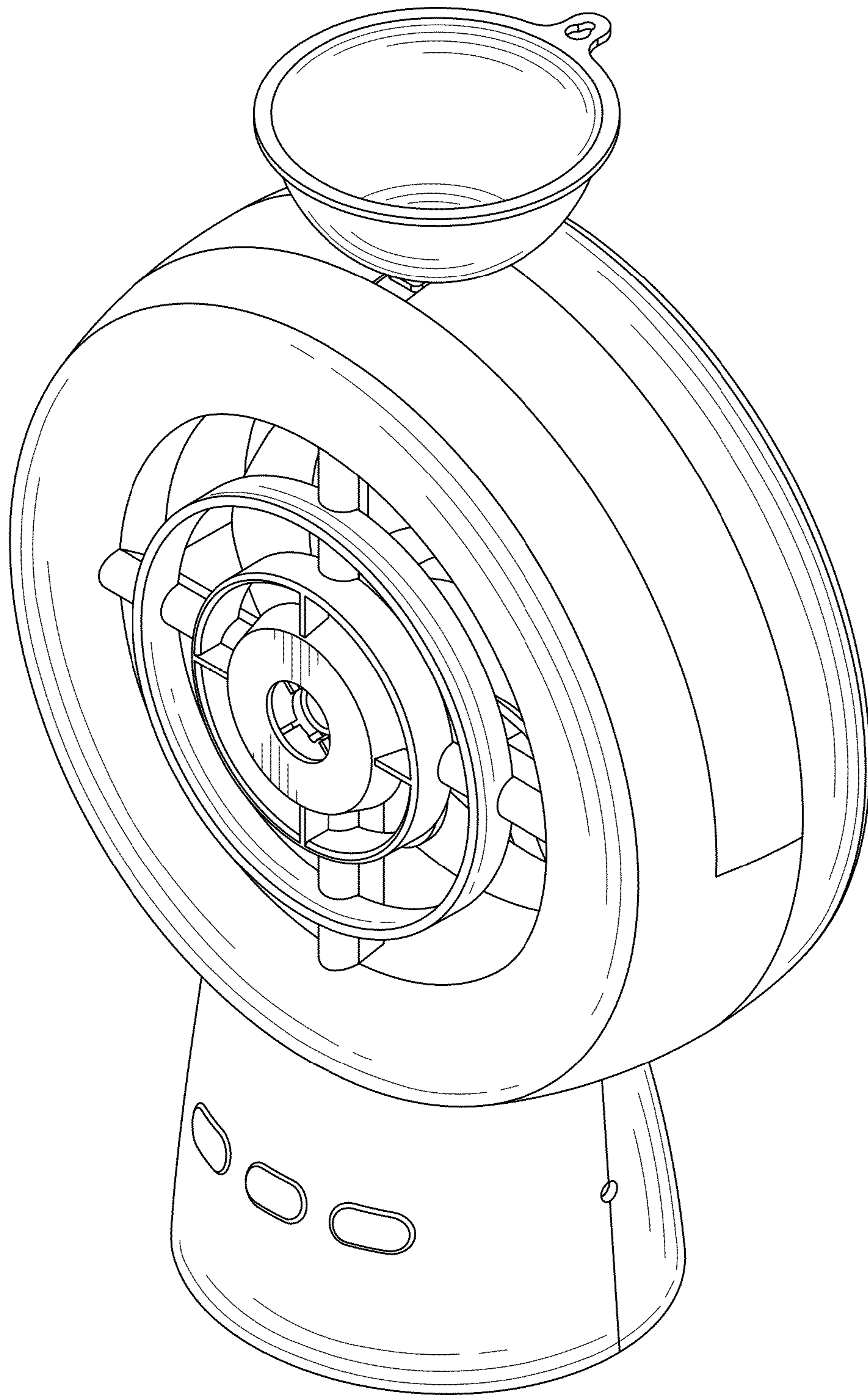


FIG. 1

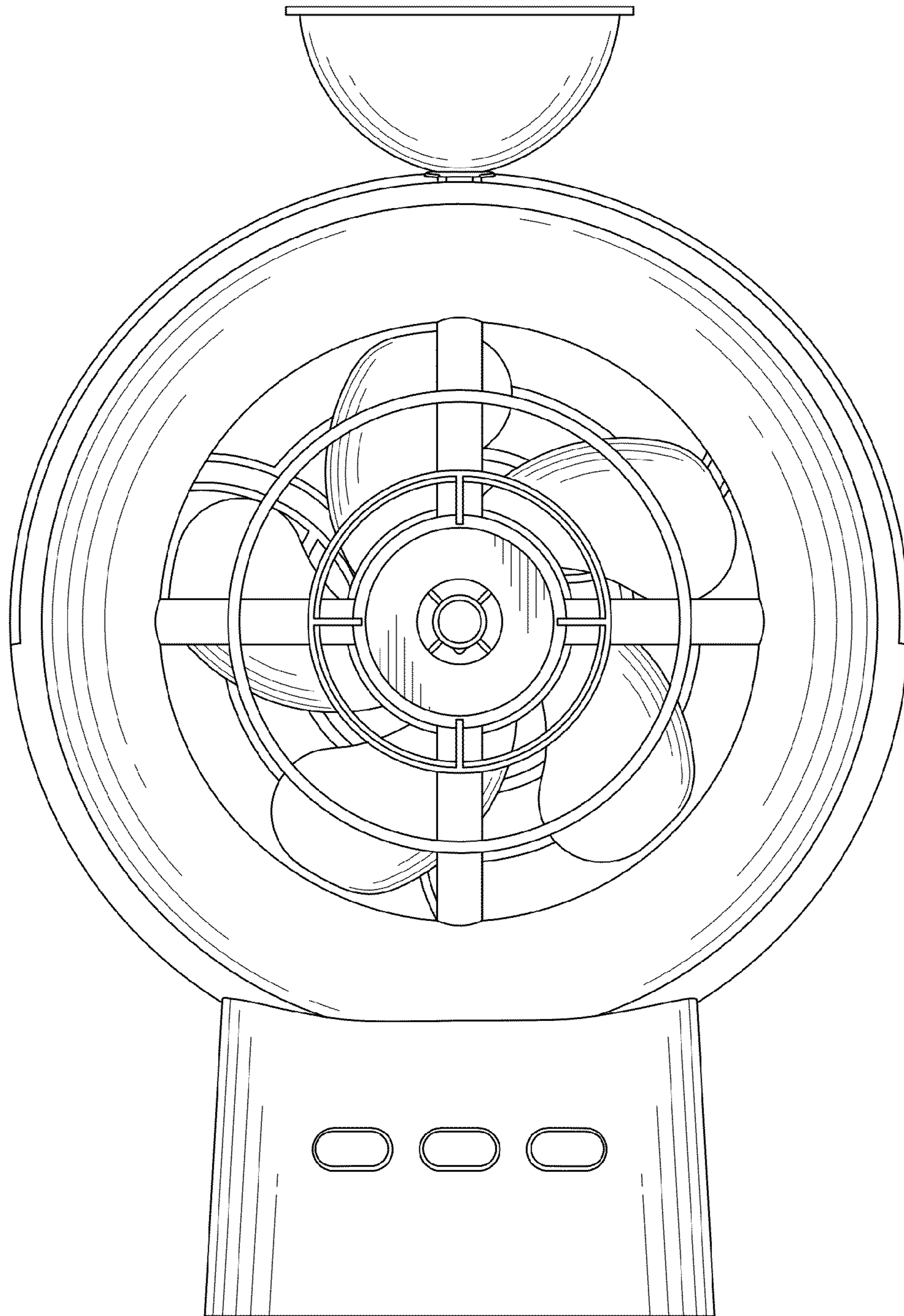


FIG. 2

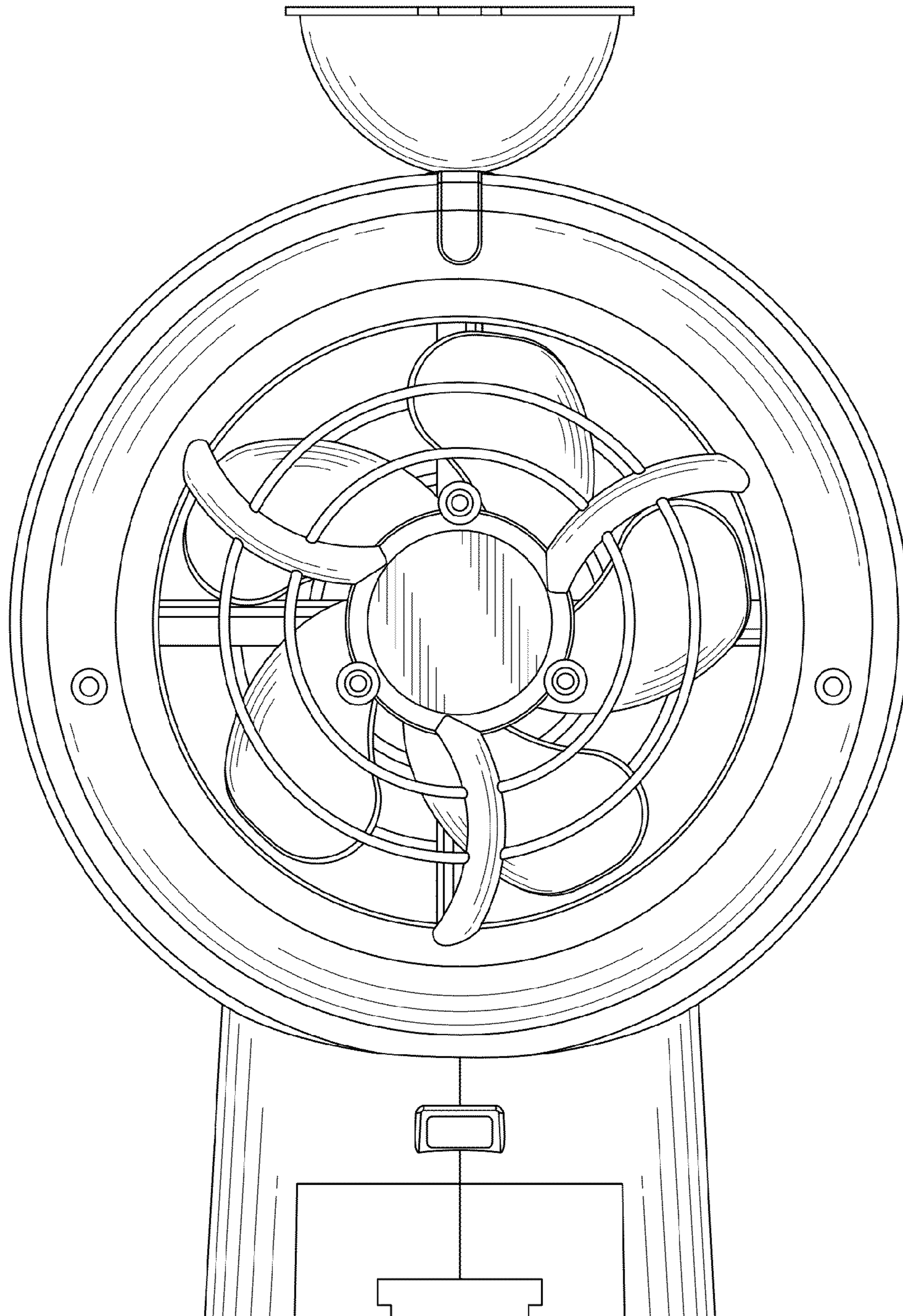


FIG. 3

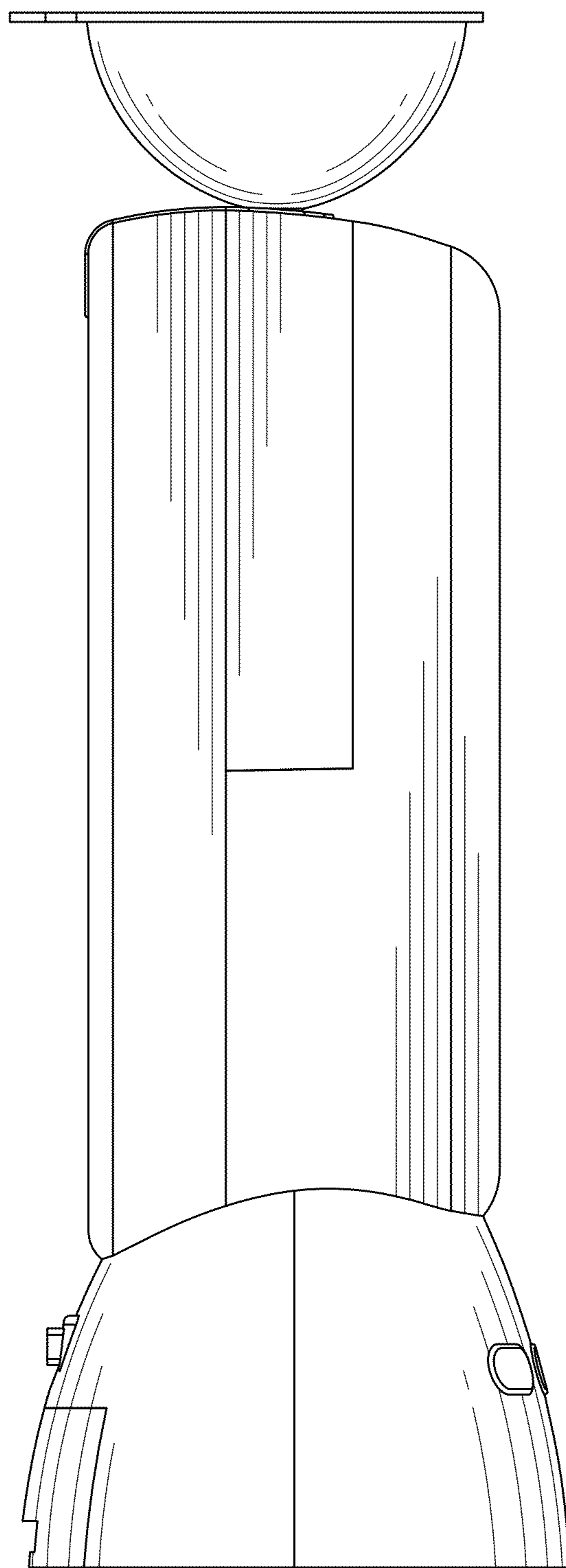


FIG. 4

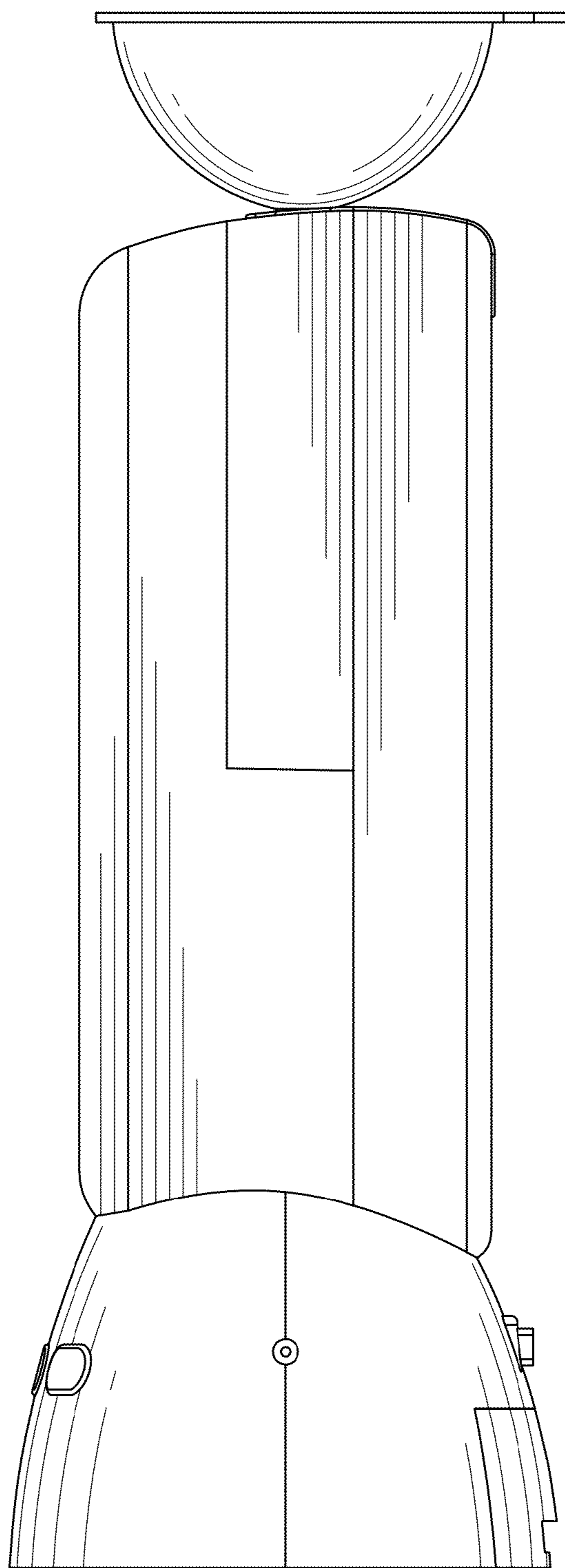


FIG. 5

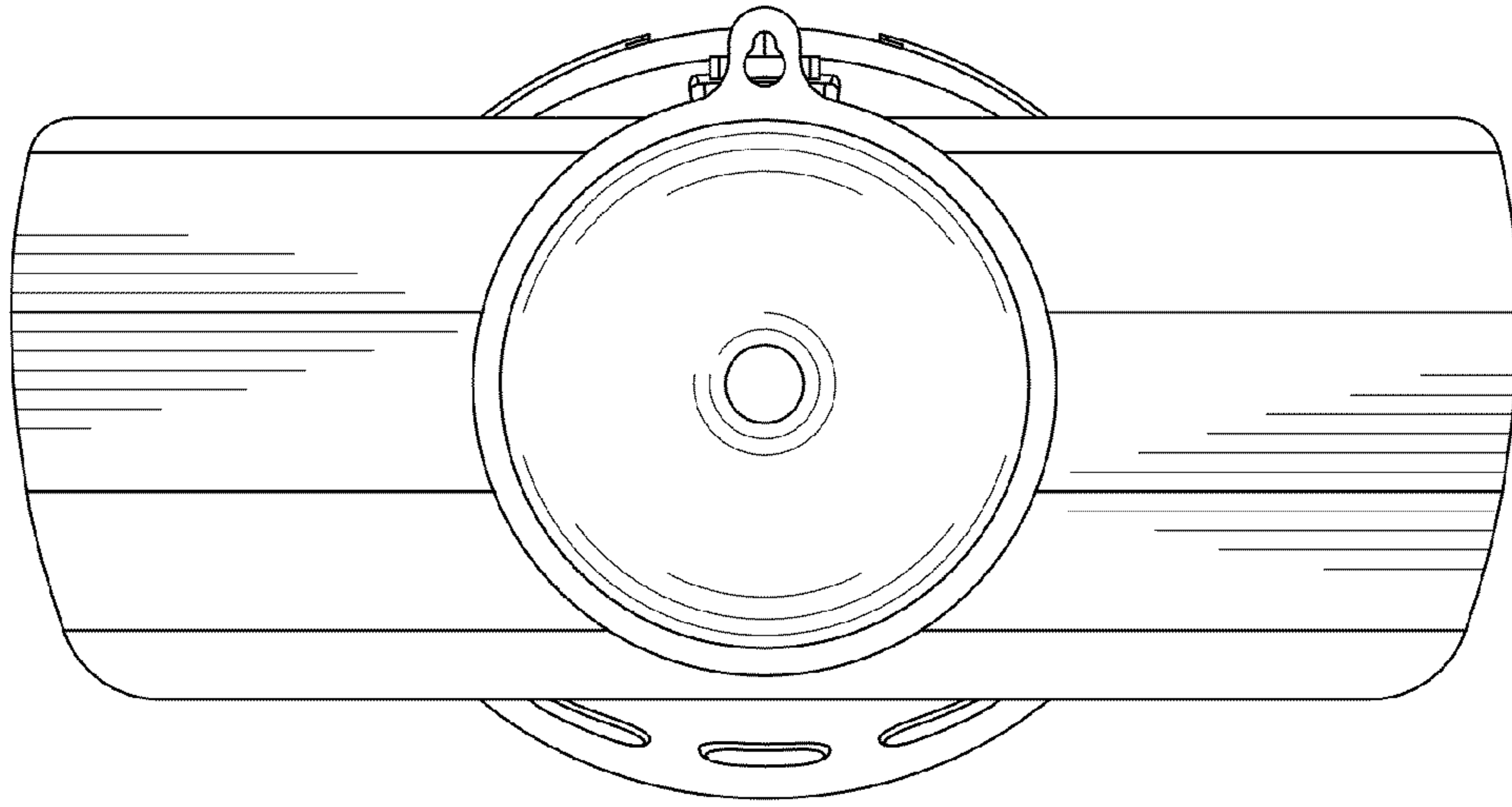


FIG. 6

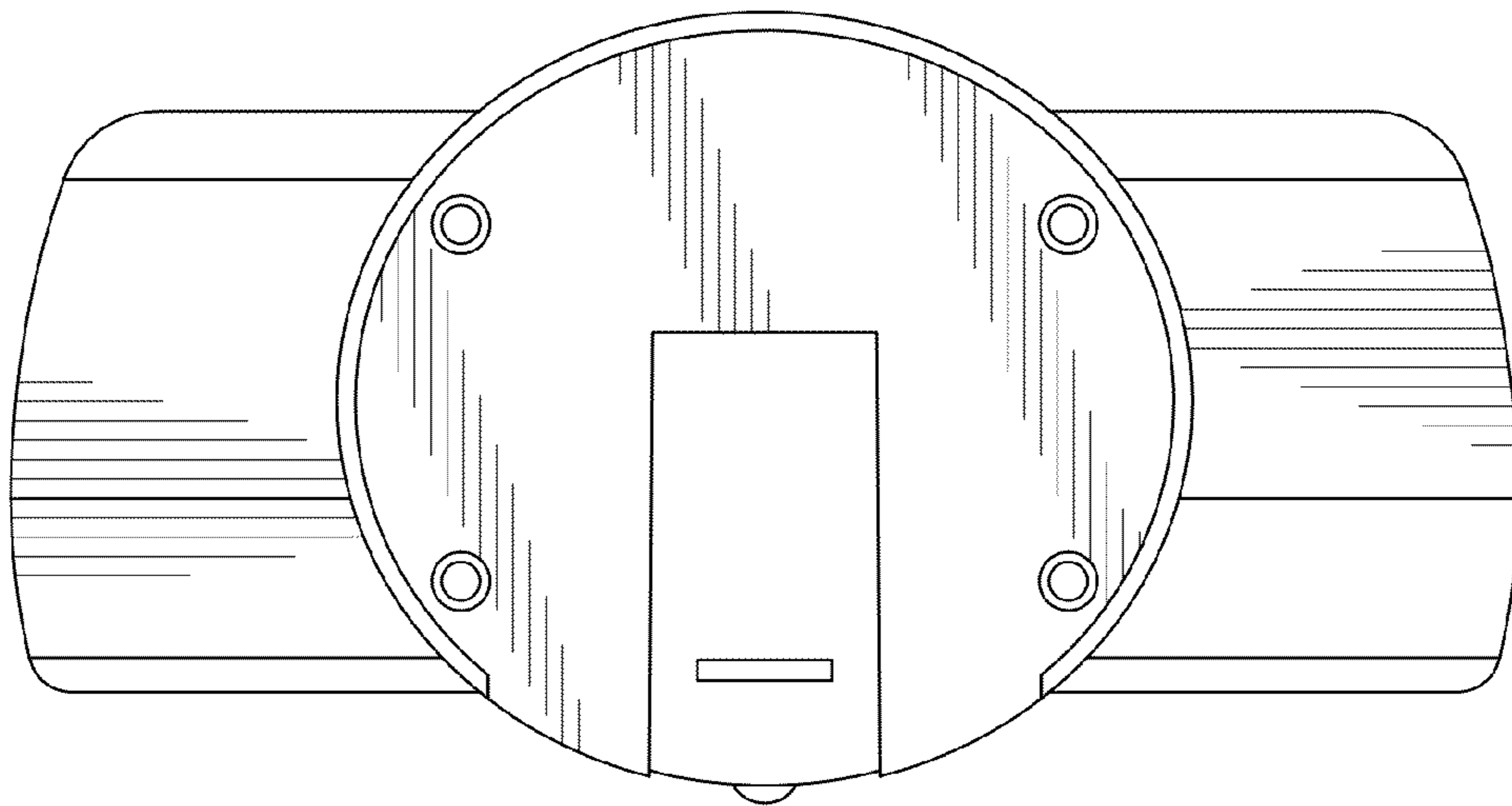


FIG. 7

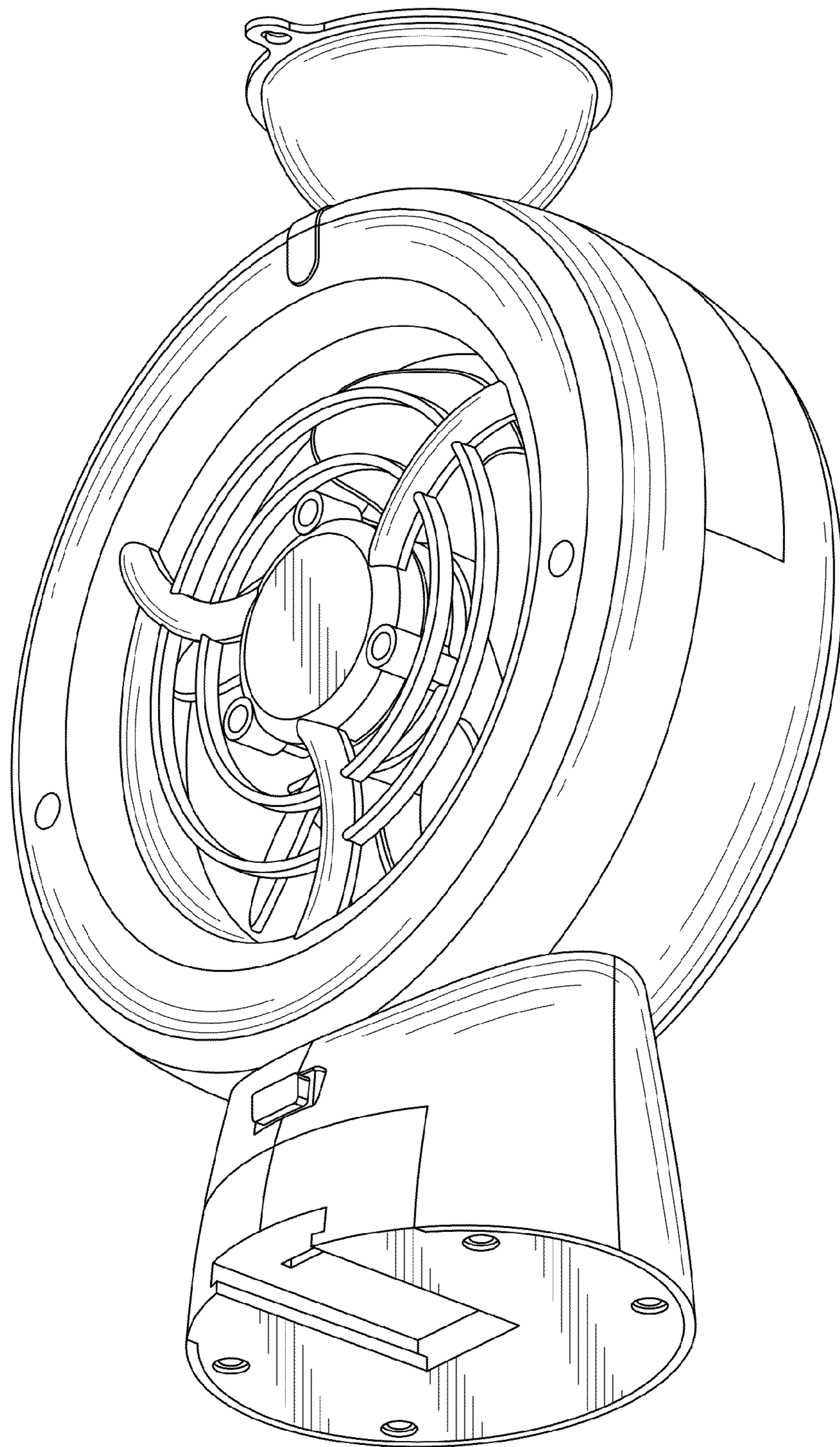


FIG. 8

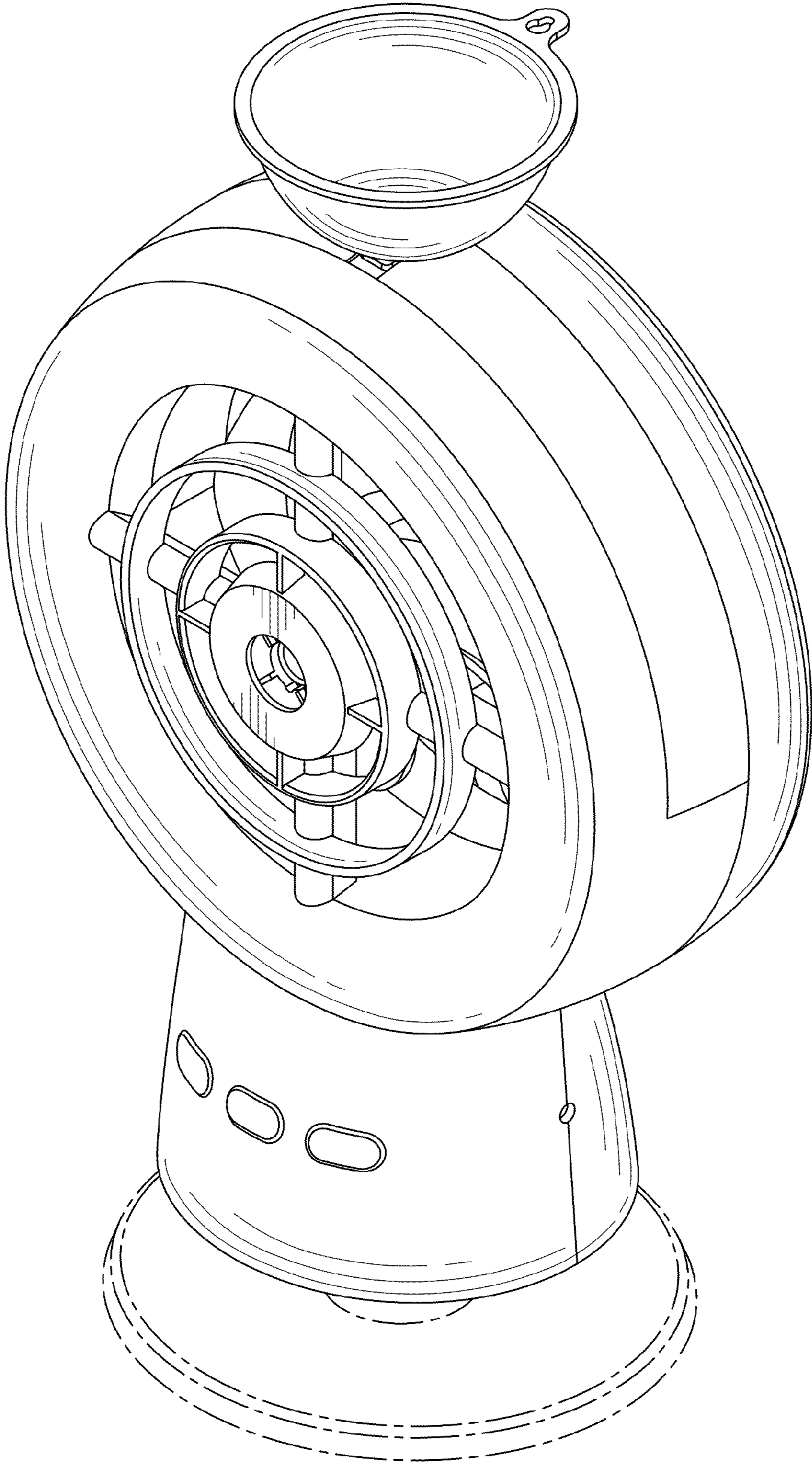


FIG. 9