



US00D680207S

(12) **United States Design Patent**  
**Blouin**

(10) **Patent No.:** **US D680,207 S**

(45) **Date of Patent:** **\*\* Apr. 16, 2013**

(54) **STOVE**

(76) Inventor: **Eric Blouin, Quebec (CA)**

(\*\*) Term: **14 Years**

(21) Appl. No.: **29/409,206**

(22) Filed: **Dec. 21, 2011**

(51) **LOC (9) Cl.** ..... **23-03**

(52) **U.S. Cl.**  
USPC ..... **D23/346**

(58) **Field of Classification Search** ..... D23/346;  
D7/339, 340, 348; 126/39 R, 60, 65, 19 R,  
126/39 B, 211, 214 R, 39 C; 219/391-392  
See application file for complete search history.

(56) **References Cited**

**U.S. PATENT DOCUMENTS**

D117,946 S \* 12/1939 Criddle ..... D7/340  
3,993,040 A \* 11/1976 Antone ..... 126/60

4,121,561 A \* 10/1978 Cote ..... 126/65  
D397,776 S \* 9/1998 Heger ..... D23/347  
D608,860 S \* 1/2010 Mattis et al. .... D23/246  
D608,877 S \* 1/2010 Mattis et al. .... D23/346  
D609,317 S \* 2/2010 Mattis et al. .... D23/346  
D612,034 S \* 3/2010 Mattis et al. .... D23/346  
2008/0245352 A1 \* 10/2008 Solecki et al. .... 126/58

\* cited by examiner

*Primary Examiner* — Eric Goodman

(57) **CLAIM**

The ornamental design for a stove, as shown and described.

**DESCRIPTION**

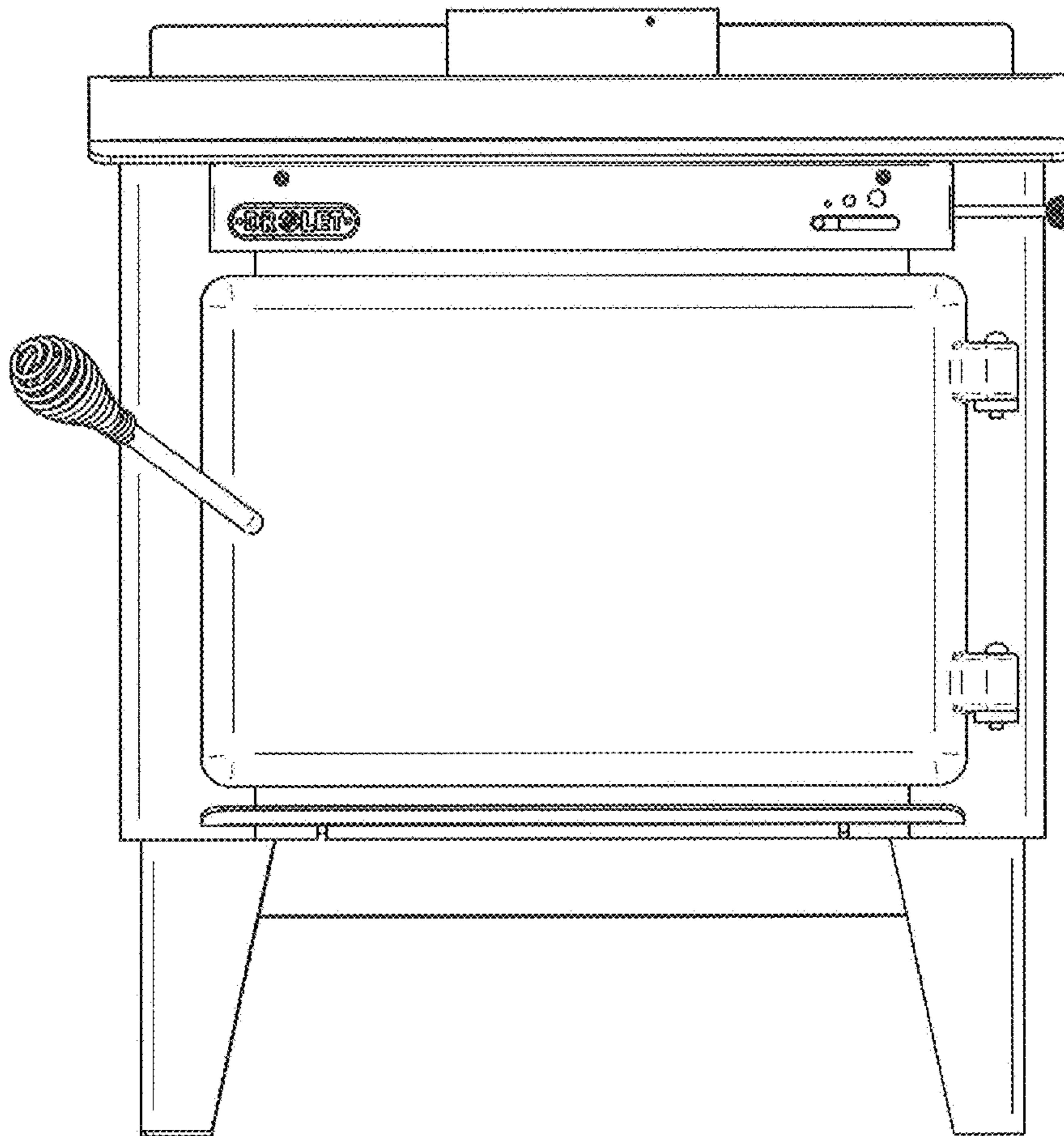
FIG. 1 is a front view of the stove with a plaque for displaying a trademark or design name;

FIG. 2 is a front view of the stove without the plaque;

FIG. 3 is a left side view of the stove, the right side view being a mirror image thereof; and,

FIG. 4 is a top left side perspective view of the stove.

**1 Claim, 4 Drawing Sheets**



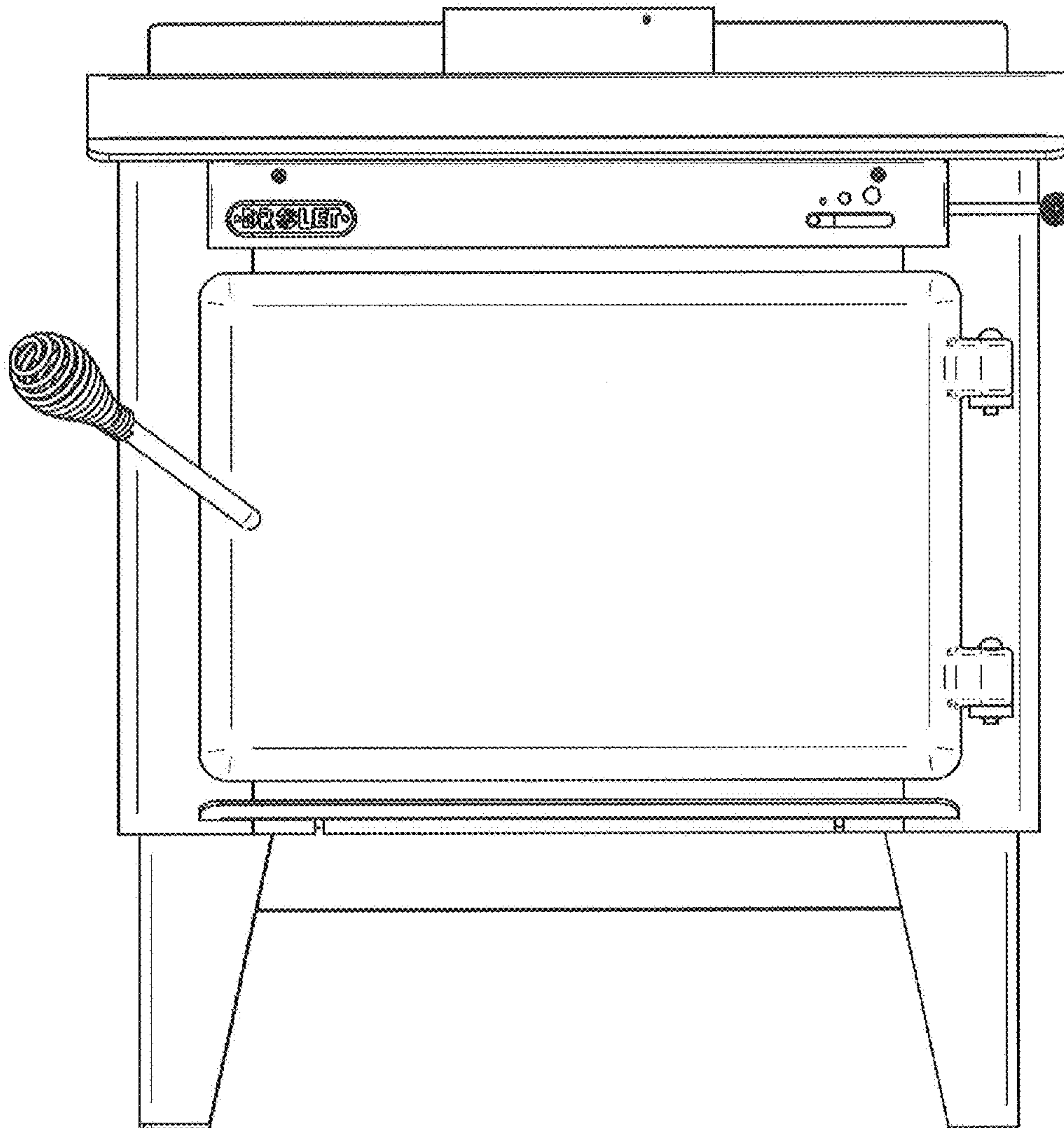


Figure 1

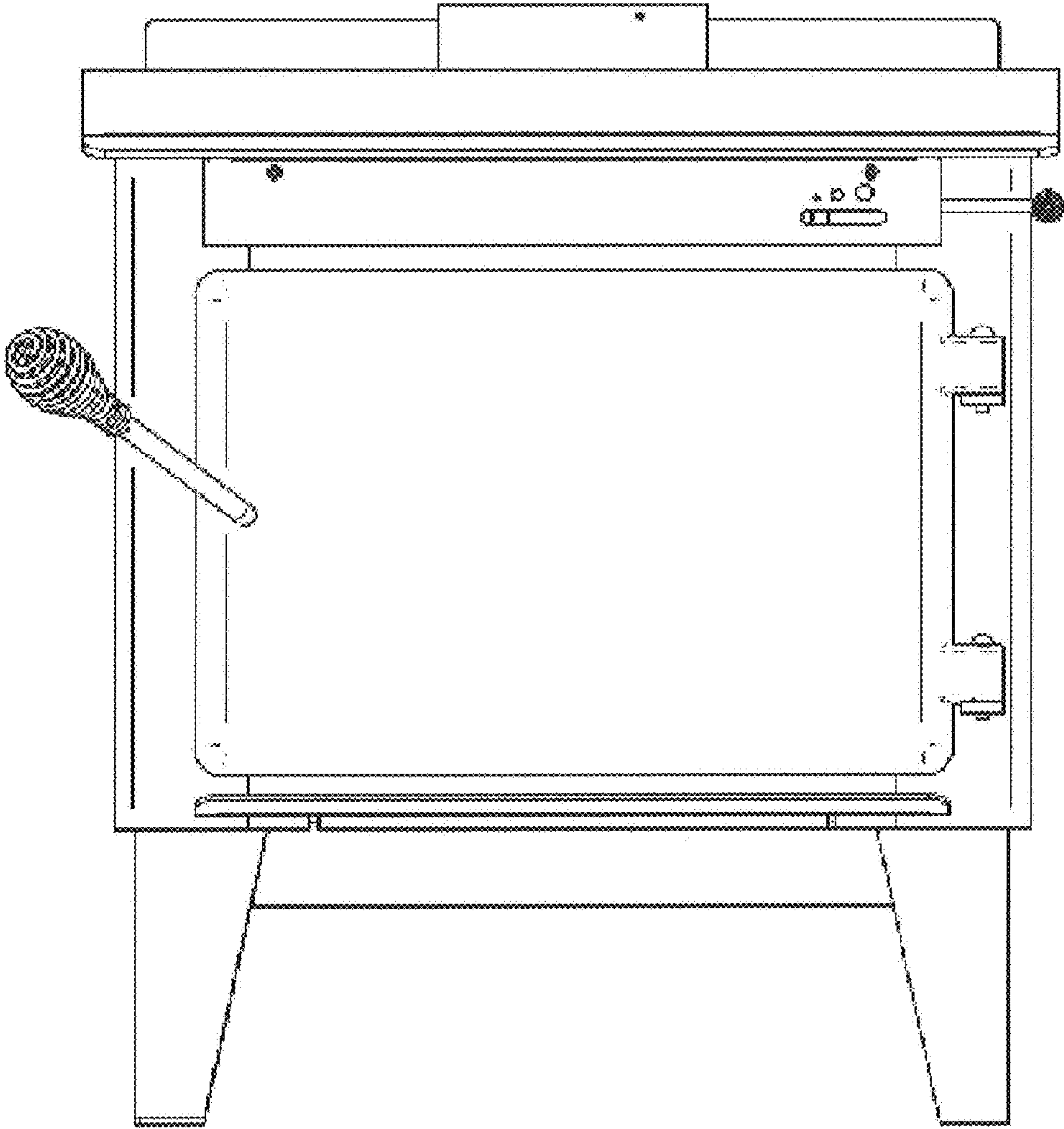


Figure 2

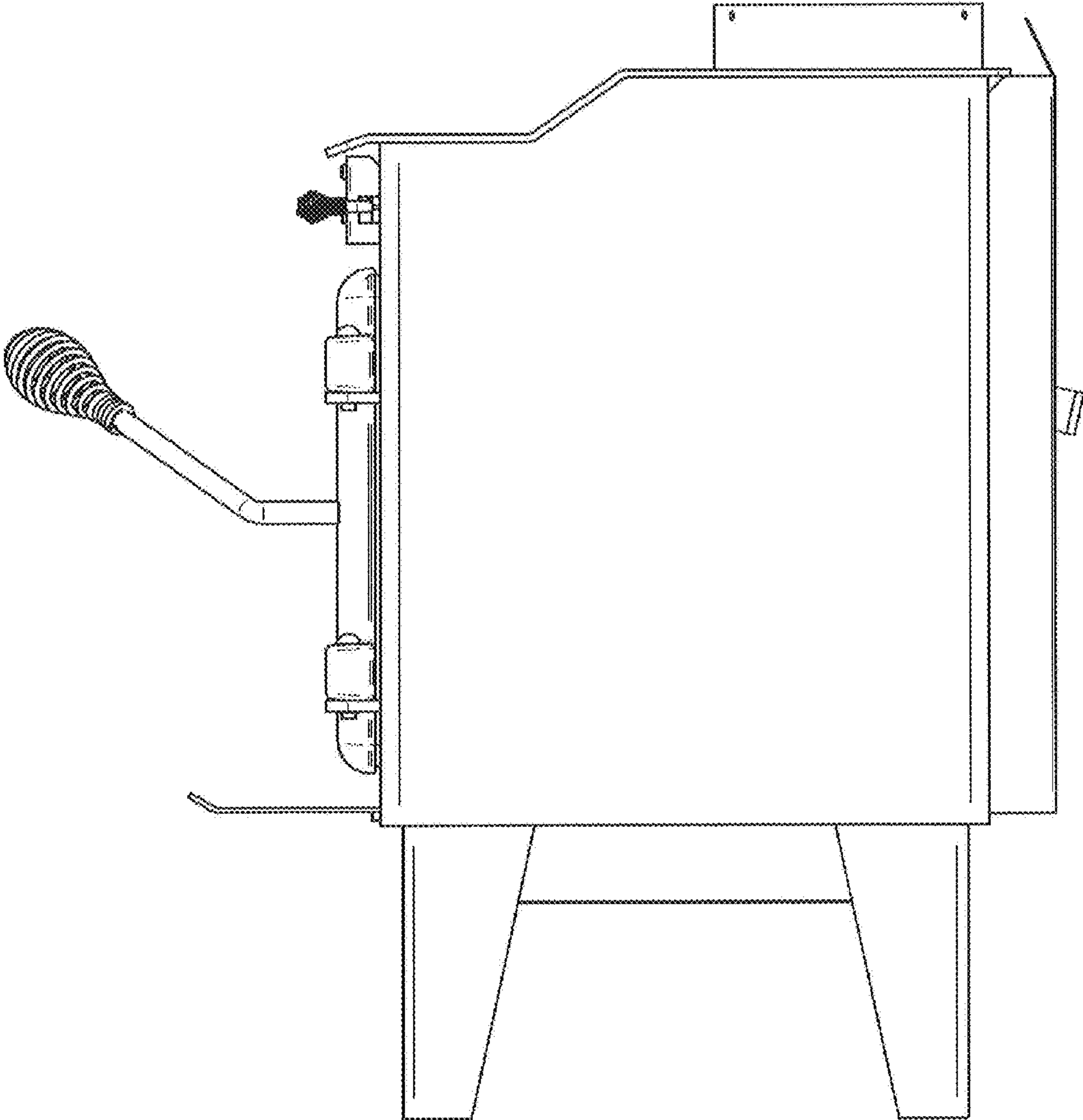


Figure 3

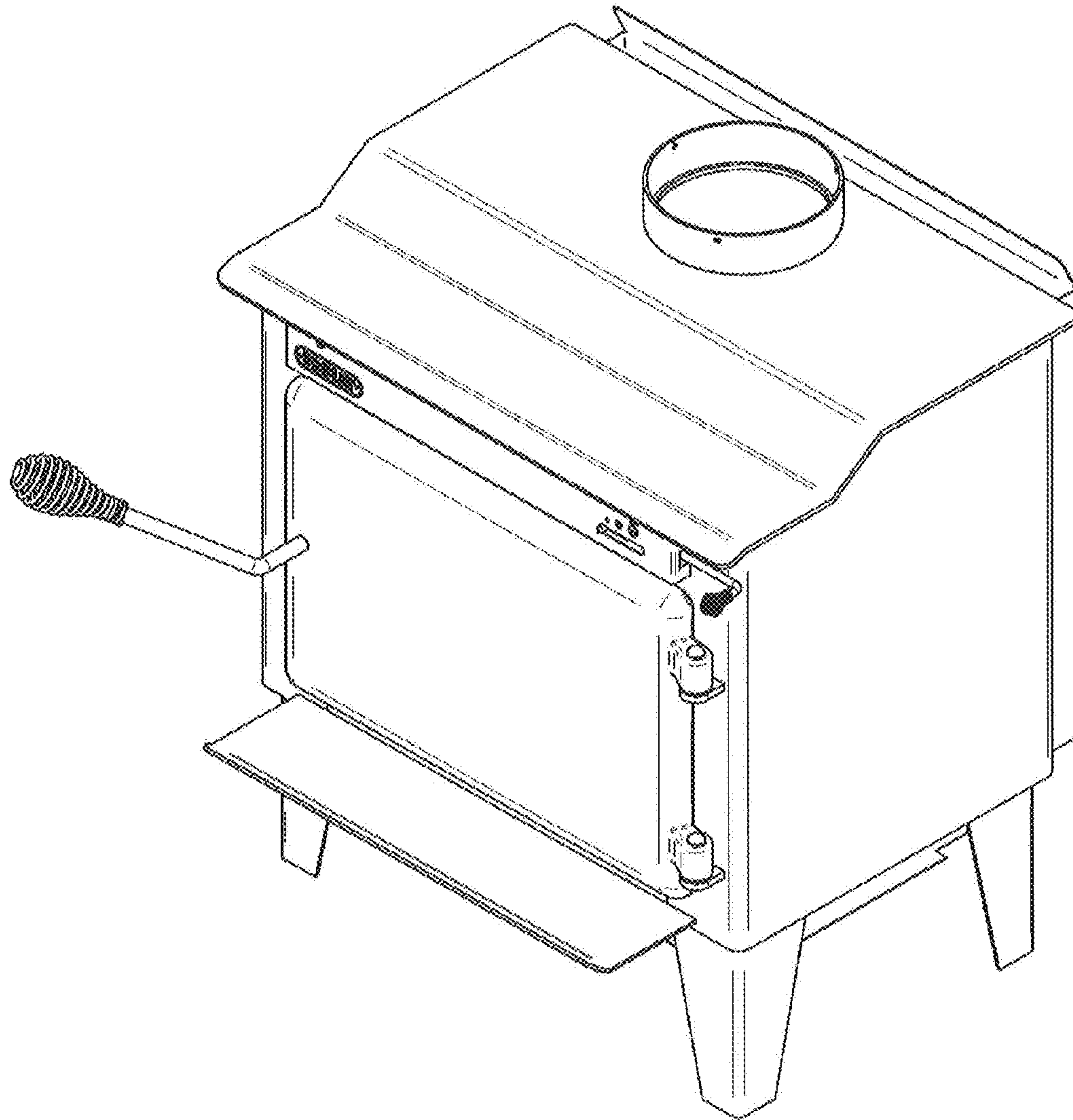


Figure 4