



US00D680205S

(12) **United States Design Patent**
Rejkowski et al.

(10) **Patent No.:** **US D680,205 S**
(45) **Date of Patent:** **** Apr. 16, 2013**

(54) **CONTROL PANEL FOR VEHICLE HEATING AND AIR CONDITIONING SYSTEMS**

6,066,225 A * 5/2000 Lopes 156/245
D445,049 S * 7/2001 Lee D10/103
D528,485 S * 9/2006 Montijo et al. D12/192
D641,673 S * 7/2011 Zimmermann et al. D12/192

(75) Inventors: **Michael W. Rejkowski**, Irving, TX (US); **Stephen J. Sexton**, McKinney, TX (US)

* cited by examiner

(73) Assignee: **Classic Auto Air Manufacturing LP**, Cleveland, OH (US)

Primary Examiner — T. Chase Nelson
Assistant Examiner — Ania Aman

(**) Term: **14 Years**

(57) **CLAIM**

(21) Appl. No.: **29/426,579**

The ornamental design for a control panel for vehicle heating and air conditioning systems, as shown and described.

(22) Filed: **Jul. 6, 2012**

DESCRIPTION

(51) **LOC (9) Cl.** **12-16**

(52) **U.S. Cl.**
USPC **D23/324**

(58) **Field of Classification Search** D23/314,
D23/324, 325, 326, 327; D10/50, 49, 60,
D10/103; D12/400, 192; D14/247, 258;
361/694; 236/1 C; 62/131

See application file for complete search history.

FIG. 1 is a perspective front view of a control panel for a vehicle heating and air conditioning system showing the design;
FIG. 2 is a top plan view;
FIG. 3 is a front elevation view;
FIG. 4 is a right end elevation view;
FIG. 5 is a left end elevation view;
FIG. 6 is a bottom plan view; and,
FIG. 7 is a rear elevation view.

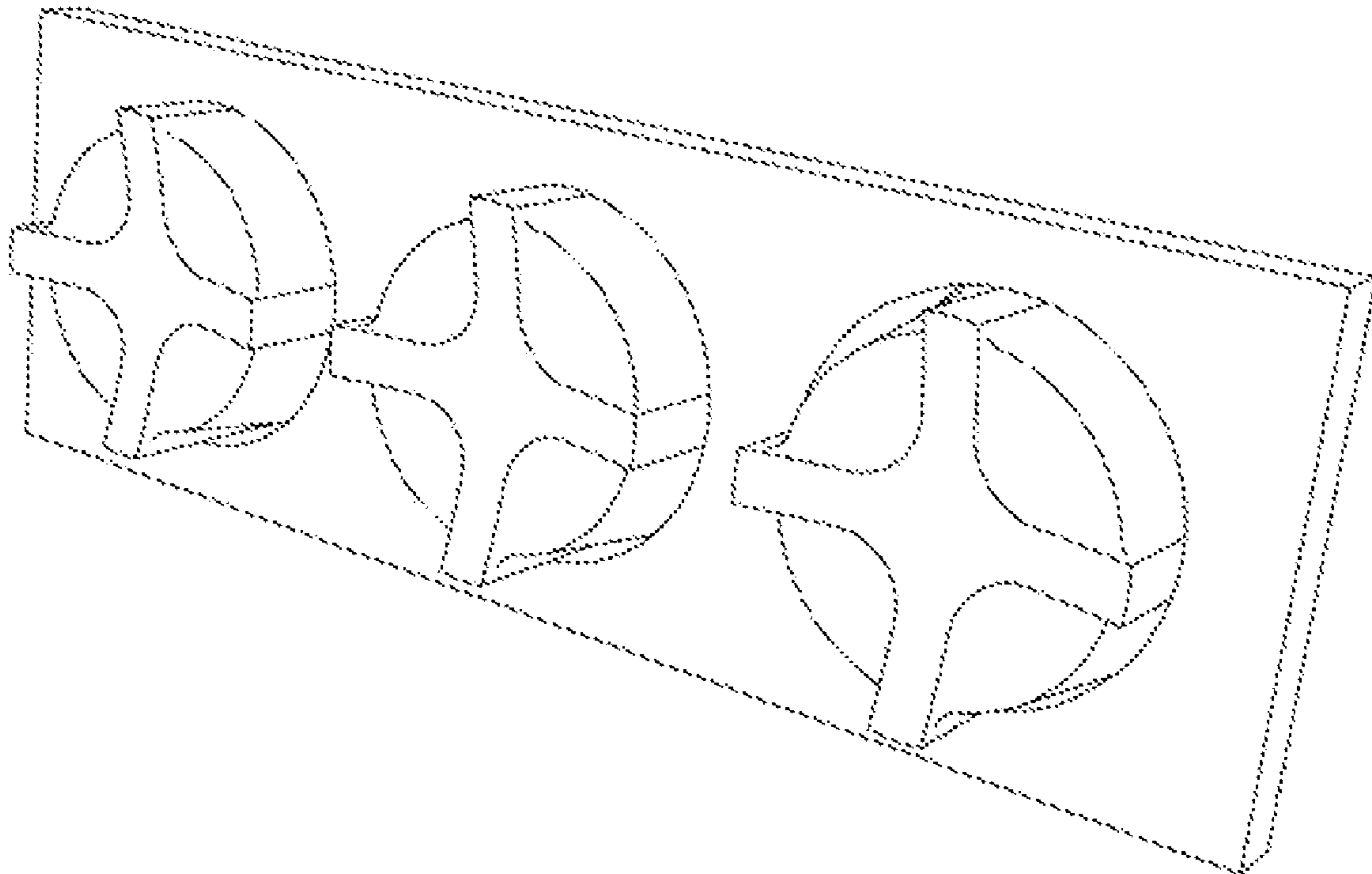
The broken lines are provided solely for illustrative purposes and form no part of the claimed design.

(56) **References Cited**

U.S. PATENT DOCUMENTS

5,065,667 A * 11/1991 Ziegler 454/69
5,700,191 A * 12/1997 Nieling et al. 454/69

1 Claim, 2 Drawing Sheets



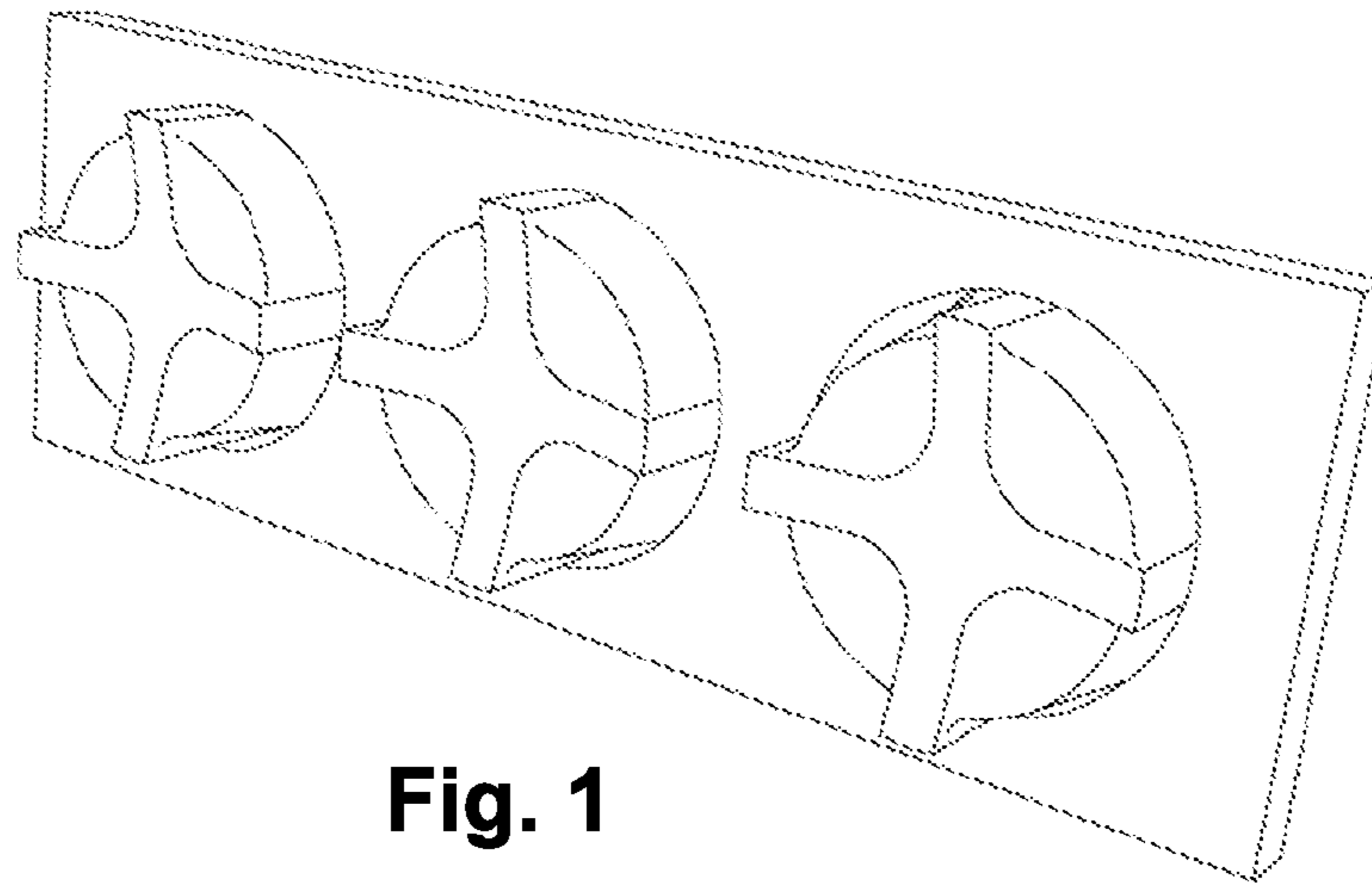


Fig. 1

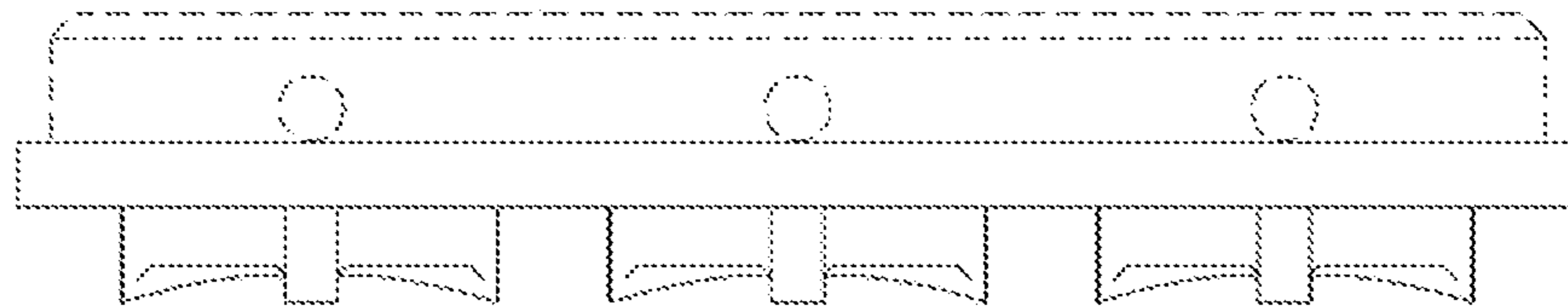


Fig. 2

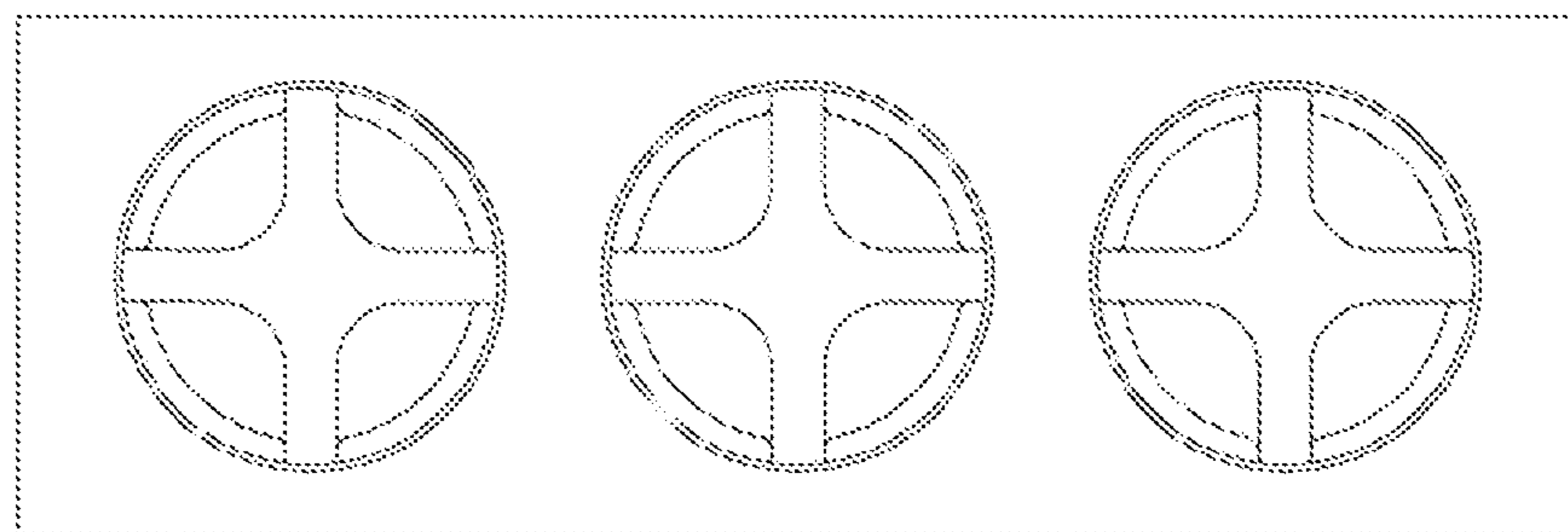


Fig. 3

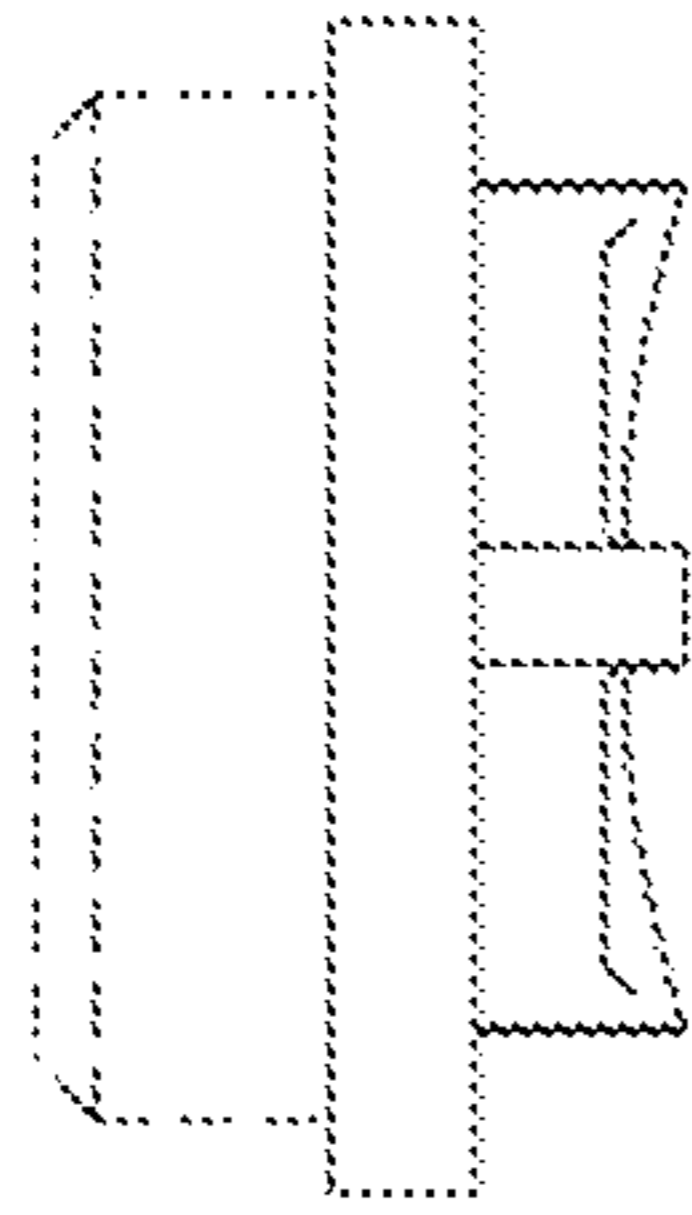


Fig. 4

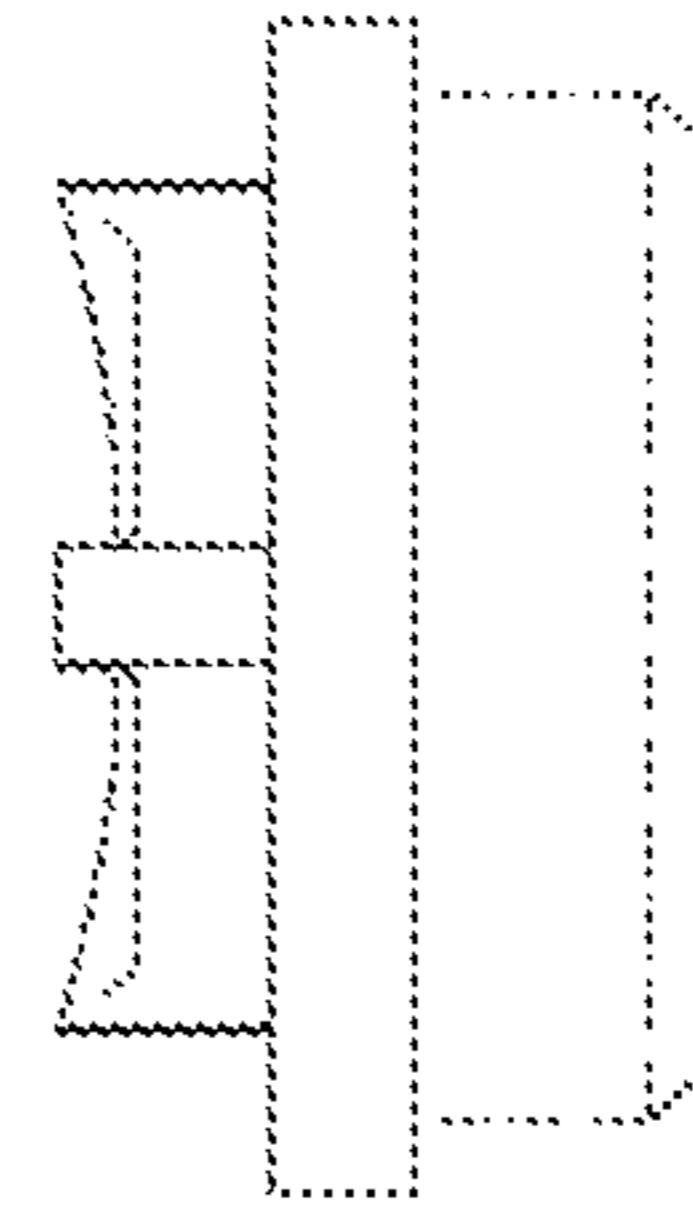


Fig. 5

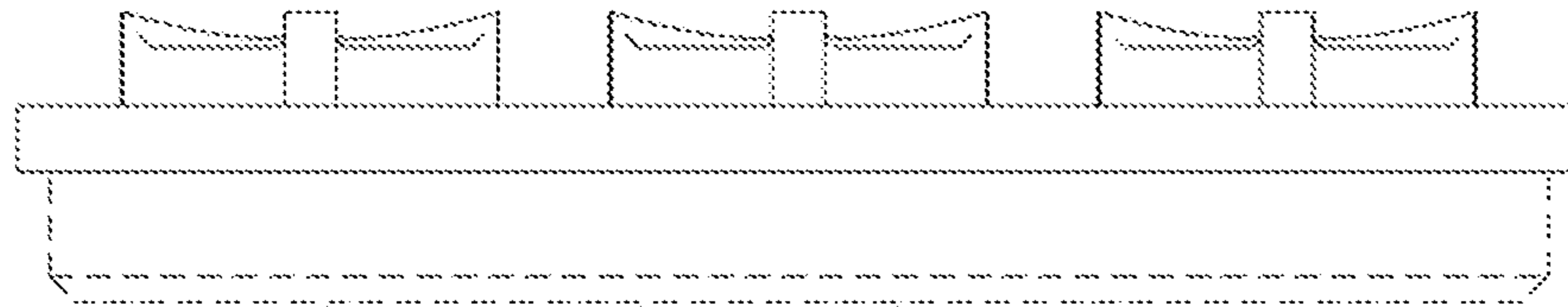


Fig. 6

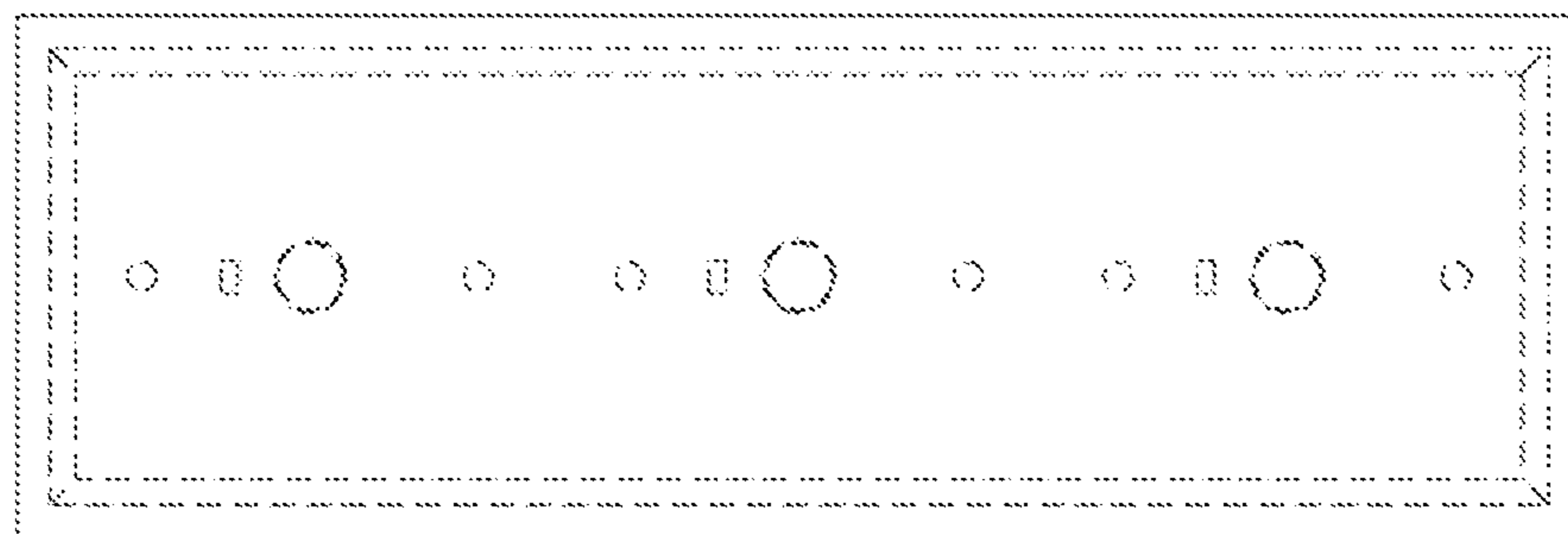


Fig. 7