



US00D680203S

(12) **United States Design Patent**
Kerney et al.

(10) **Patent No.:** **US D680,203 S**
(45) **Date of Patent:** **** Apr. 16, 2013**

(54) **TOILET SEAT COVER**

(76) Inventors: **Letitia Kerney**, Kalispell, MT (US); **Jim Kerney**, Kalispell, MT (US)

(**) Term: **14 Years**

(21) Appl. No.: **29/419,799**

(22) Filed: **May 2, 2012**

(51) **LOC (9) Cl.** **23-02**

(52) **U.S. Cl.**
USPC **D23/311**

(58) **Field of Classification Search** D23/311-312;
4/245.1, 245.8, 245.9, 245.6

See application file for complete search history.

(56) **References Cited**

U.S. PATENT DOCUMENTS

D208,455 S	9/1967	Nagy	
D231,460 S	4/1974	Levitan	
D252,946 S	9/1979	Johnson	
D292,019 S	9/1987	Hall	
4,744,113 A	5/1988	Kogut	
4,970,732 A *	11/1990	Deng	4/312
D320,069 S	9/1991	Rossiter	
D342,859 S	1/1994	Garcia	
D398,806 S	9/1998	Thomas	
D435,091 S	12/2000	Miller	

D451,178 S	11/2001	Massey, Jr.	
D473,295 S *	4/2003	Reid	D23/311
6,813,784 B1 *	11/2004	Thompson	4/245.1
D502,538 S *	3/2005	Soria-Ibarra et al.	D23/311
7,247,360 B1 *	7/2007	Besner et al.	428/42.1
D621,919 S	8/2010	Sayre	
D638,109 S *	5/2011	Hyde	D23/311

* cited by examiner

Primary Examiner — Robert Delehanty

(74) *Attorney, Agent, or Firm* — QuickPatents; Kevin Prince

(57) **CLAIM**

We claim the ornamental design for a toilet seat cover, as shown and described.

DESCRIPTION

FIG. 1 is a front elevational view of a toilet seat cover of our new design, the rear elevational view, left-side elevational view, and right-side elevational view all being identical;

FIG. 2 is a perspective view thereof; and,

FIG. 3 is a top plan view of FIG. 2, the bottom plan view being a mirror image thereof.

The broken lines showing a toilet in FIG. 1 depict environmental matter and form no part of the claimed design. It is understood that the front, left, right and rear elevational views of all embodiments are identical.

1 Claim, 1 Drawing Sheet

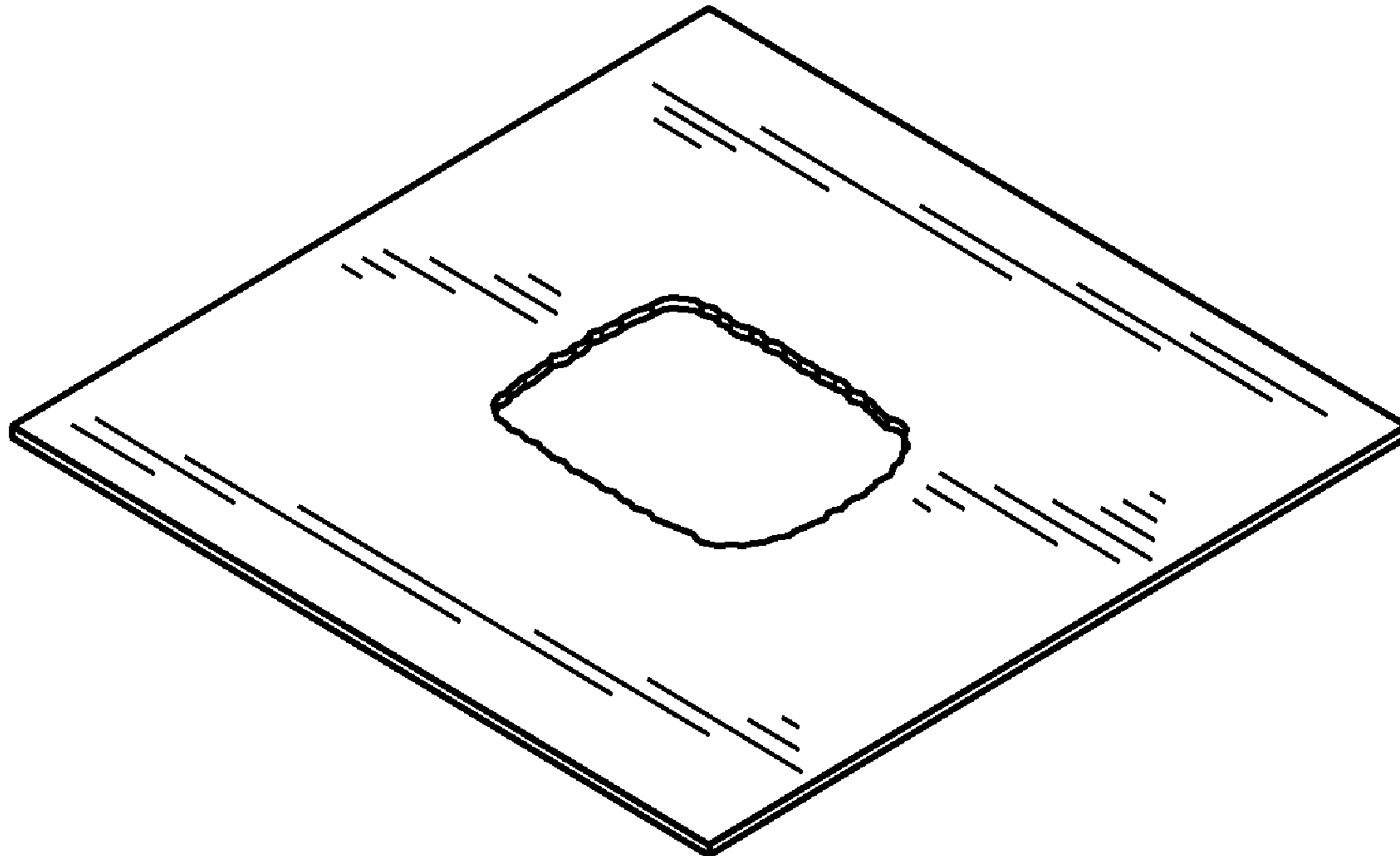




FIG. 1

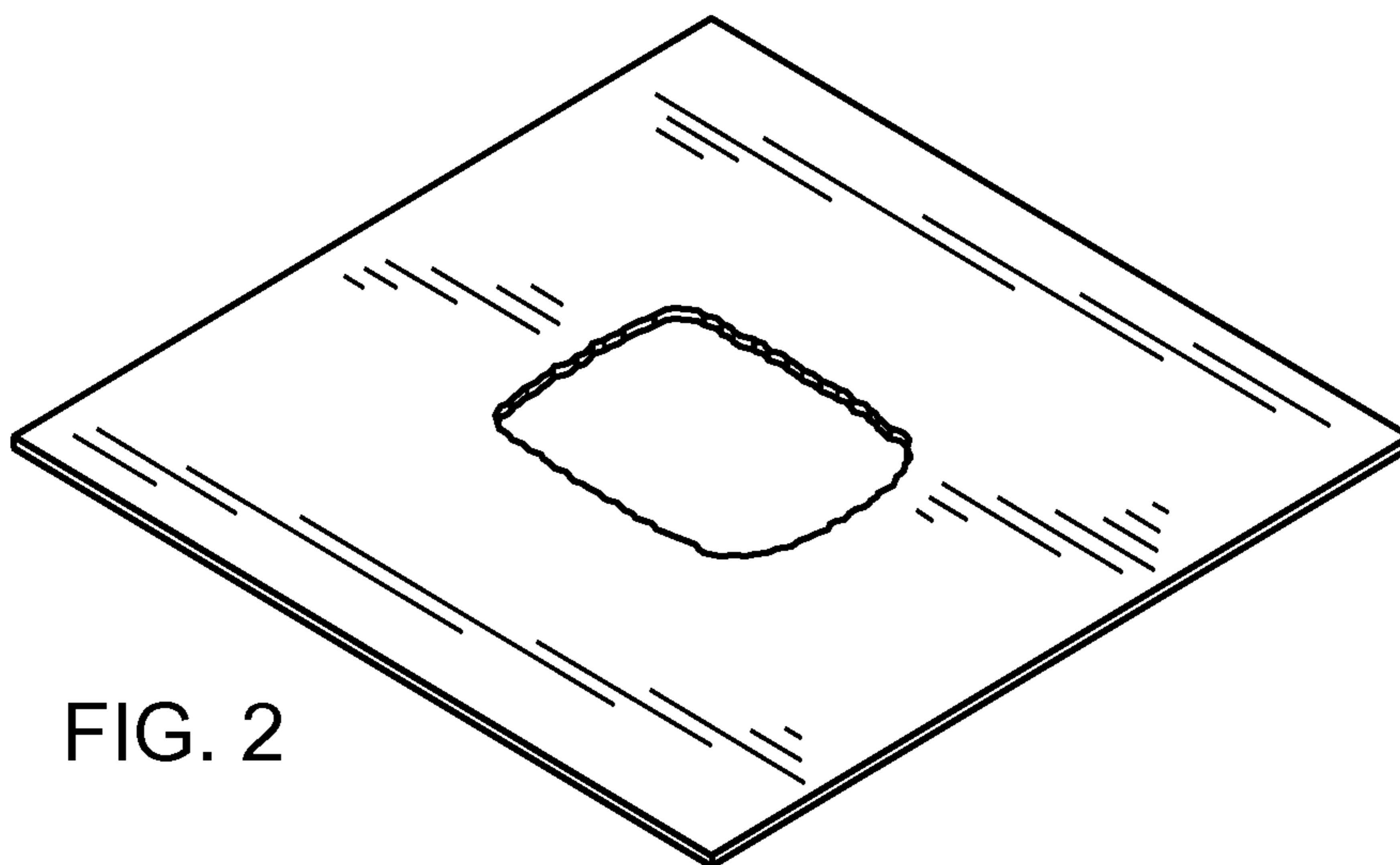


FIG. 2

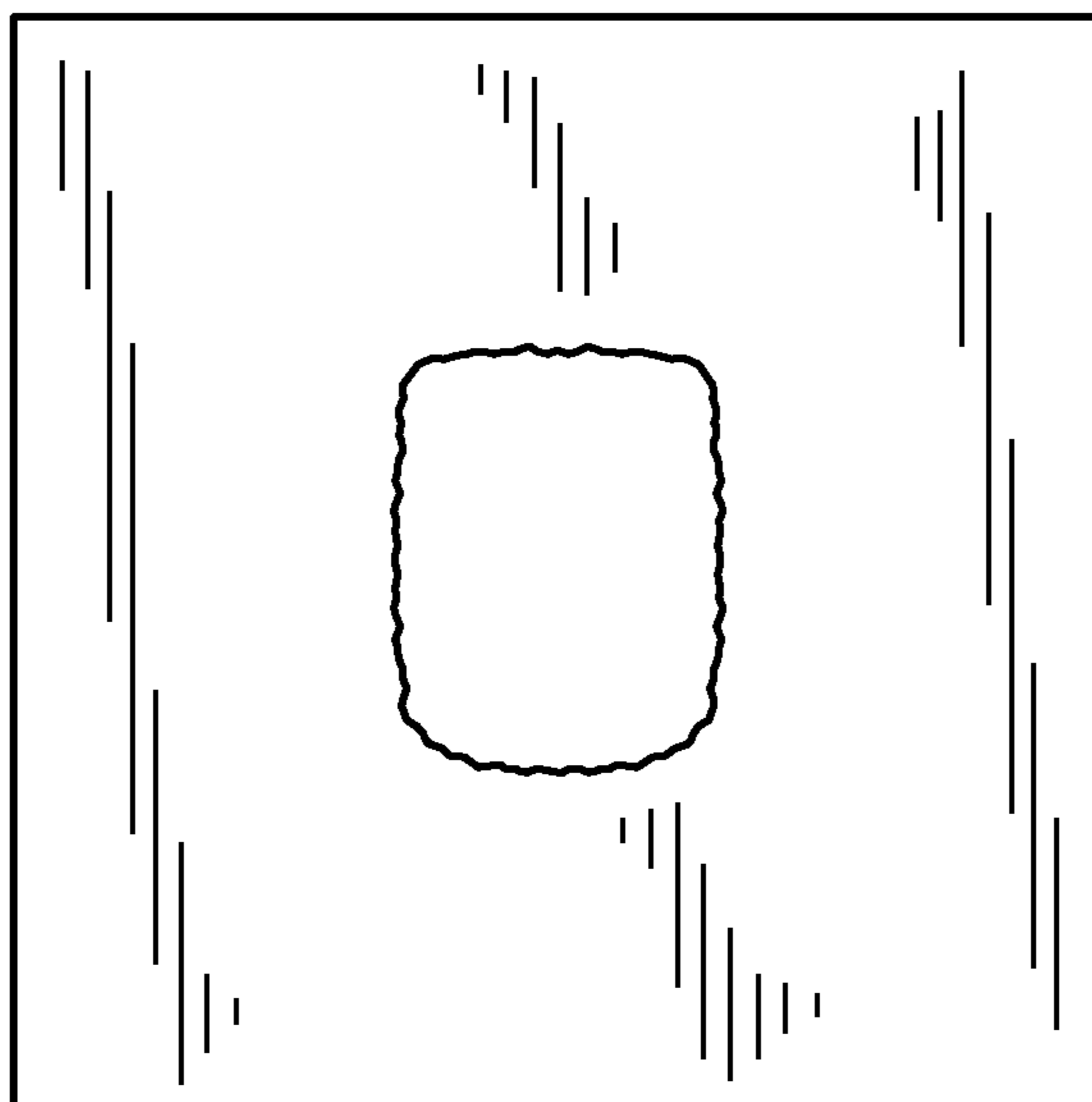


FIG. 3