



US00D680200S

(12) **United States Design Patent**
Adams

(10) **Patent No.:** **US D680,200 S**

(45) **Date of Patent:** **** Apr. 16, 2013**

(54) **FASCIA GUTTER**

(76) Inventor: **Mike Adams**, Fullerton, CA (US)

(**) Term: **14 Years**

(21) Appl. No.: **29/411,916**

(22) Filed: **Jan. 27, 2012**

(51) **LOC (9) Cl.** **23-01**

(52) **U.S. Cl.**
USPC **D23/267**

(58) **Field of Classification Search** D23/267;
52/11, 12, 16, 73.21, 302.3; D25/119-125,
D25/141; 248/48.1-48.2; 285/179-183;
405/120

See application file for complete search history.

(56) **References Cited**

U.S. PATENT DOCUMENTS

D217,247	S	*	4/1970	Brown	D23/267
3,545,144	A	*	12/1970	Sickler	52/11
D276,684	S	*	12/1984	Sublett	D7/612
D328,500	S	*	8/1992	Hardy	D25/119
5,216,861	A		6/1993	Meyerson		
5,345,727	A	*	9/1994	McCrea	52/11
5,502,939	A		4/1996	Zadok et al.		
5,765,328	A	*	6/1998	Moore	52/302.1
D425,605	S	*	5/2000	Palmisano	D23/267
D450,107	S	*	11/2001	van Adrichem	D23/267
D454,180	S	*	3/2002	Wessels	D23/267
D479,751	S	*	9/2003	Schofield	D25/119
6,988,335	B2	*	1/2006	Eyers	52/12
D586,436	S	*	2/2009	Cangialosi	D23/267

D586,437	S	*	2/2009	Cangialosi	D23/267
2004/0163330	A1	*	8/2004	Crum	52/97
2009/0266018	A1	*	10/2009	Stockton	52/302.3

* cited by examiner

Primary Examiner — Eric Goodman

(74) *Attorney, Agent, or Firm* — Law Office of Austin Bonderer, PC; Austin Bonderer

(57) **CLAIM**

The ornamental design for a fascia gutter, as shown and described.

DESCRIPTION

FIG. 1 is a perspective view of the fascia gutter for a covering showing our new design;

FIG. 2 is a top rear prospective view thereof;

FIG. 3 is a side rear prospective view thereof

FIG. 4 is a rear plan view thereof;

FIG. 5 is a front plan view thereof;

FIG. 6 is a top plan view thereof;

FIG. 7 is a bottom plan view thereof; and,

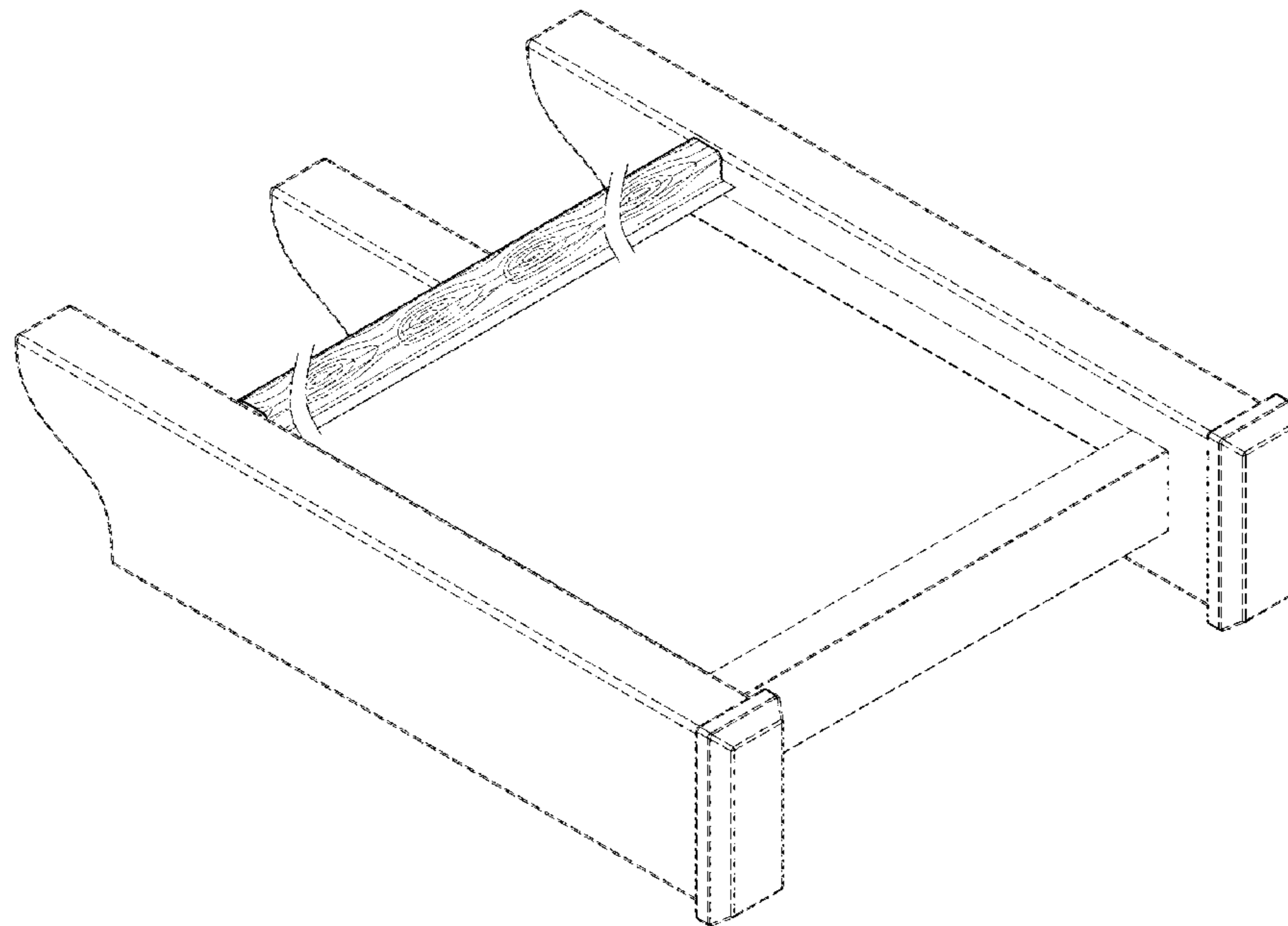
FIG. 8 is a side plan view thereof.

The broken lines showing of portions of the fascia gutter and the covering in FIG. 1 are for the purpose of illustrating environmental structure and form no part of the claimed design.

The claims exterior sections of the fascia gutter are shaded to show the appearance of a wood grain texture.

The fascia gutter is shown broken away to indicate that no particular length is claimed.

1 Claim, 7 Drawing Sheets



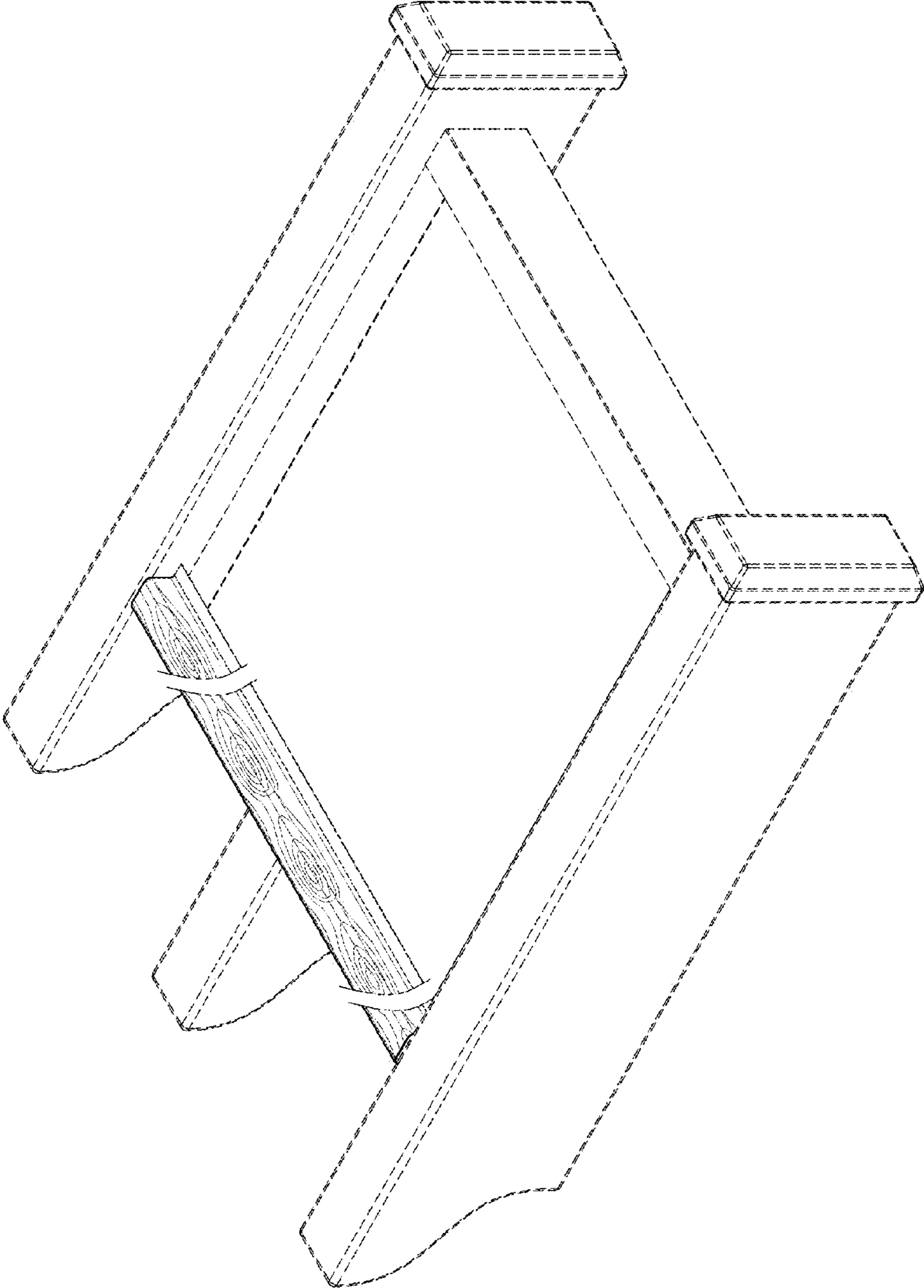


FIG. 1

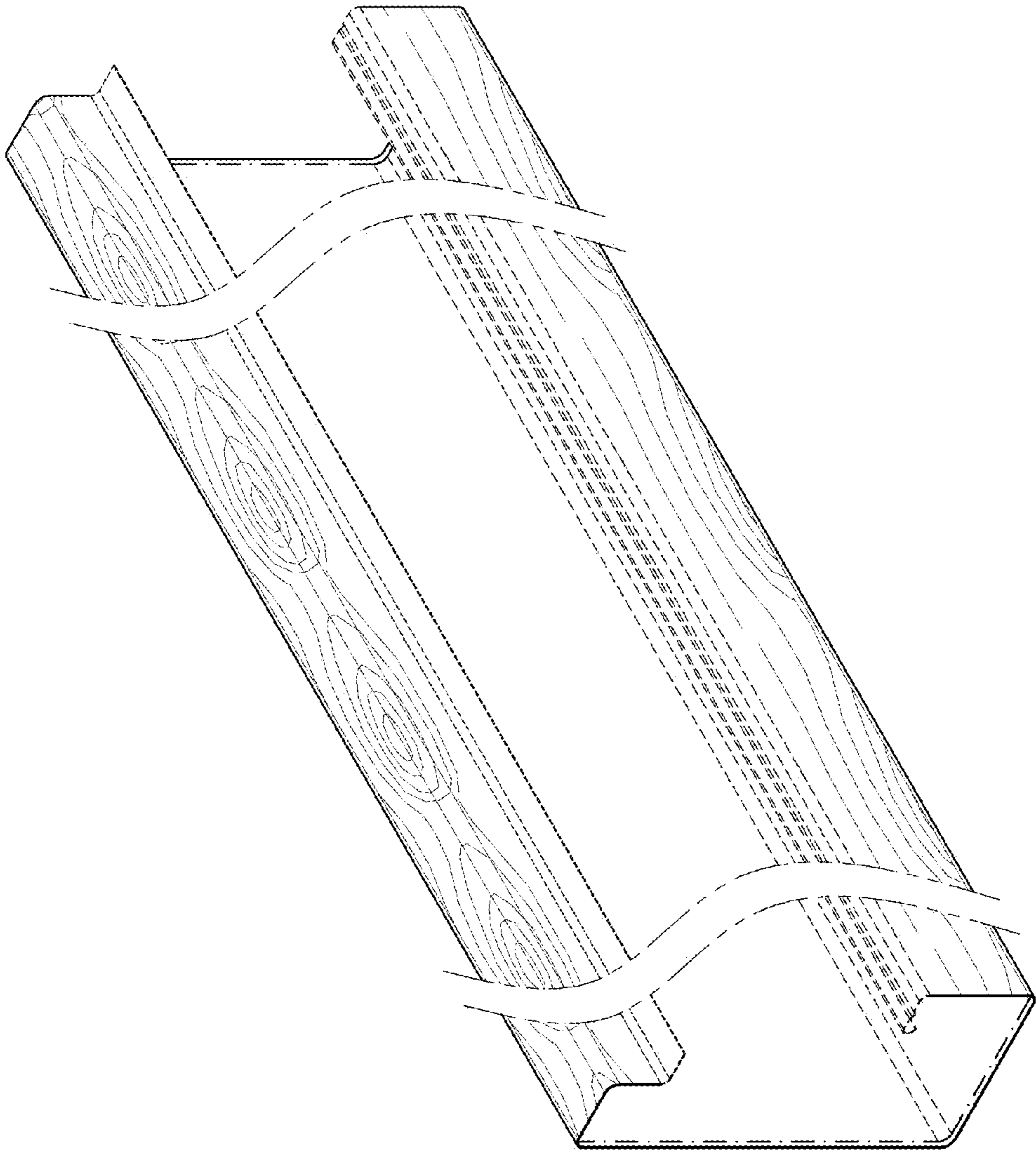


FIG. 2

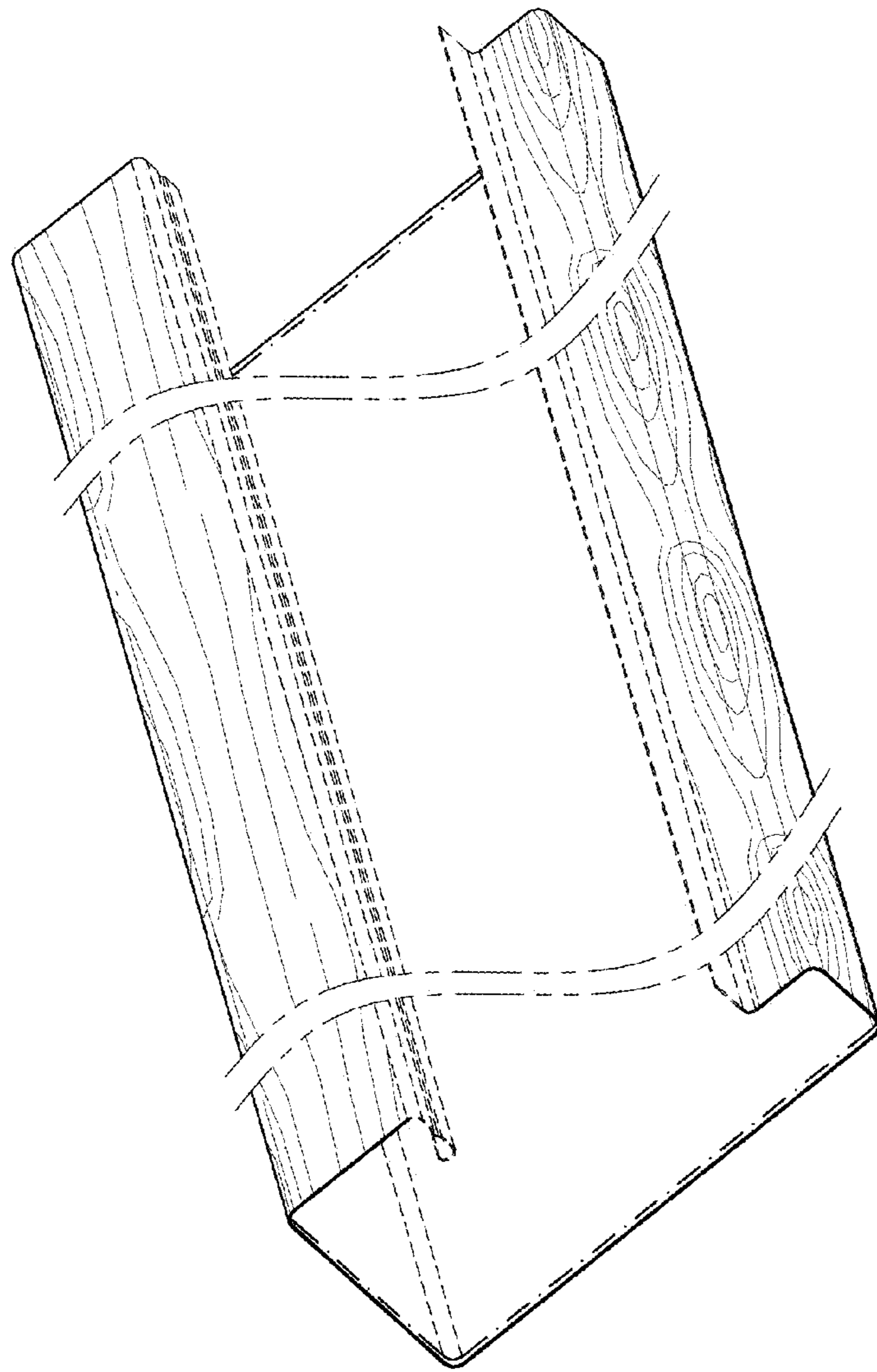


FIG. 3

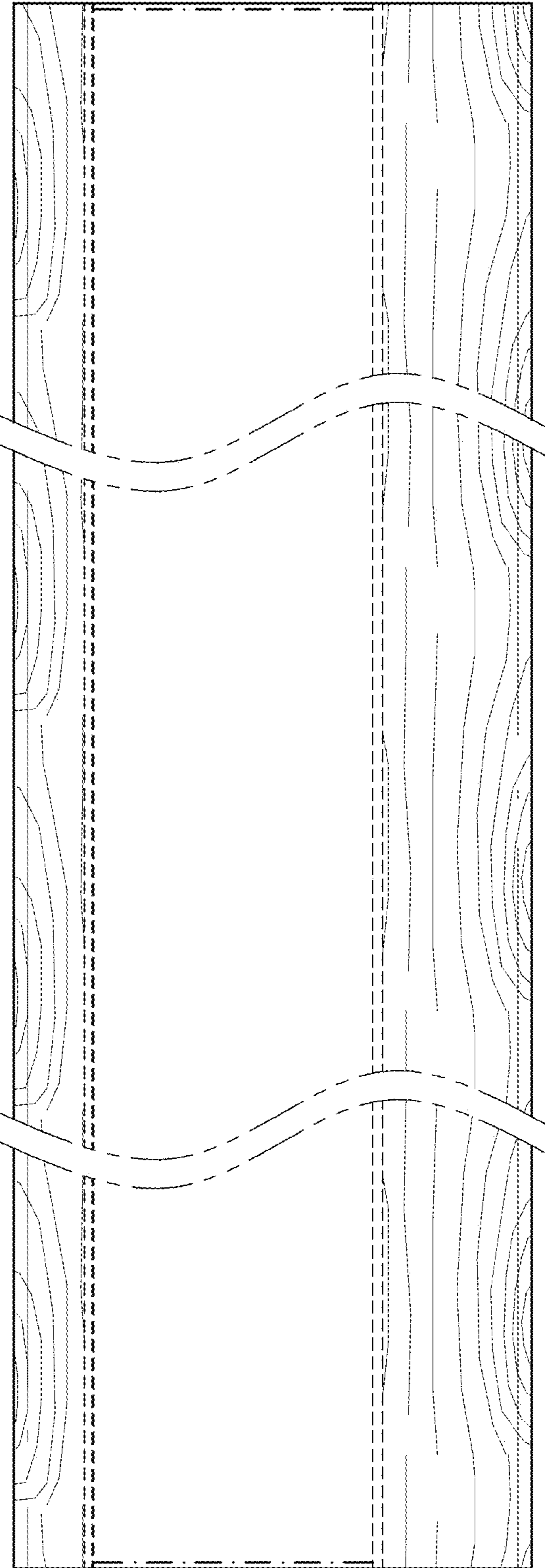


FIG. 4

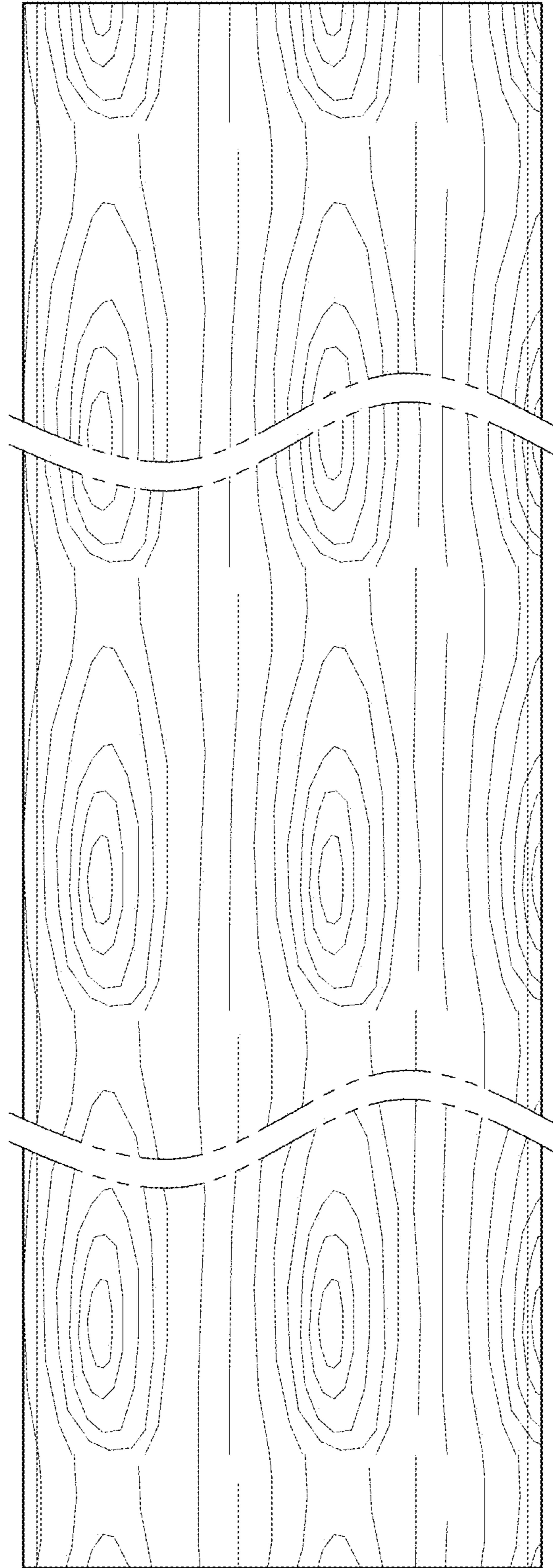


FIG. 5

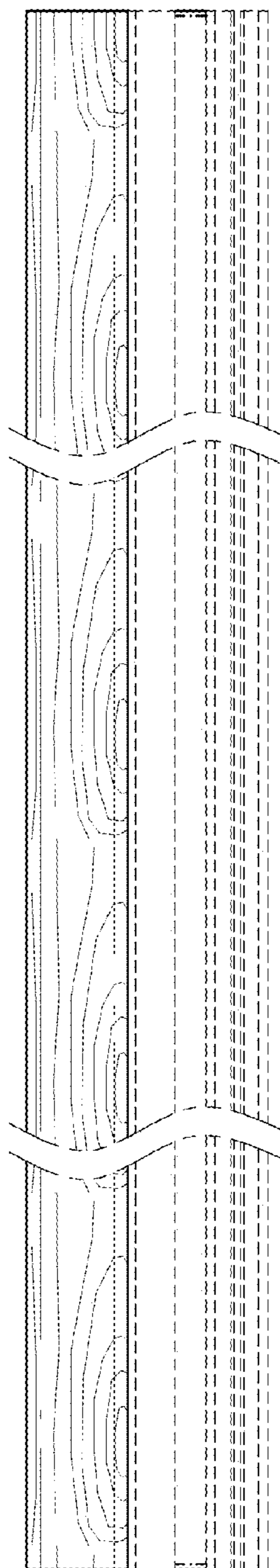


FIG. 6

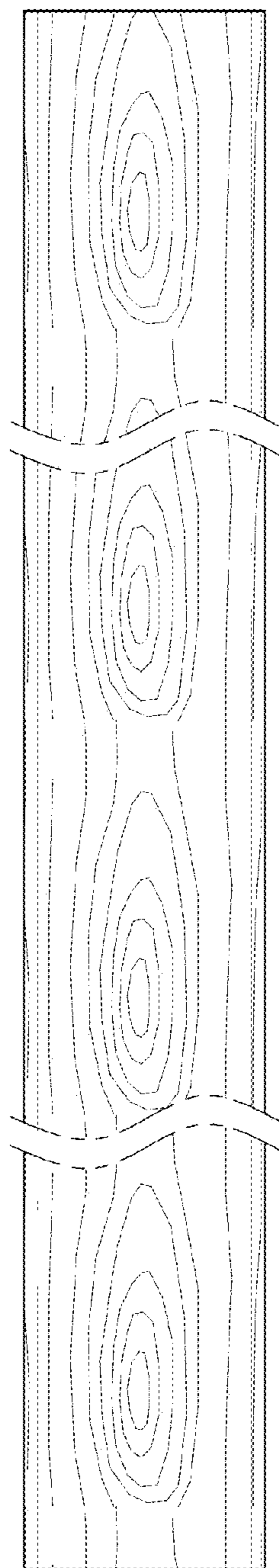


FIG. 7



FIG. 8