



US00D680195S

(12) **United States Design Patent**  
**Lord**

(10) **Patent No.:** **US D680,195 S**

(45) **Date of Patent:** **\*\* \*Apr. 16, 2013**

(54) **FAUCET SPOUT**

(75) Inventor: **Judd Lord**, Fishers, IN (US)

(73) Assignee: **Masco Corporation of Indiana**,  
Indianapolis, IN (US)

(\*) Notice: This patent is subject to a terminal disclaimer.

(\*\*) Term: **14 Years**

(21) Appl. No.: **29/417,960**

(22) Filed: **Apr. 11, 2012**

(51) **LOC (9) Cl.** ..... **23-01**

(52) **U.S. Cl.**  
USPC ..... **D23/255**

(58) **Field of Classification Search** ..... D23/238,  
D23/241, 242-243, 255, 257; 4/675-678;  
137/801

See application file for complete search history.

(56) **References Cited**

U.S. PATENT DOCUMENTS

D510,411 S	*	10/2005	Lord	.....	D23/238
D533,630 S	*	12/2006	Zetsche	.....	D23/238
D594,532 S	*	6/2009	Schoenherr et al.	.....	D23/238
D661,781 S	*	6/2012	McClure	.....	D23/249

\* cited by examiner

*Primary Examiner* — Robert Delehanty

(74) *Attorney, Agent, or Firm* — Edgar A. Zarins; Nirav D. Parikh; Lora J. Graentzdoerffer

(57) **CLAIM**

The ornamental design for a faucet spout, as shown and described.

**DESCRIPTION**

FIG. 1 is a perspective view of a faucet spout showing my new design;  
FIG. 2 is a top plan view thereof;  
FIG. 3 is a left side view thereof;  
FIG. 4 is a right side view thereof;  
FIG. 5 is a front view thereof;  
FIG. 6 is a rear view thereof; and,  
FIG. 7 is a bottom view thereof.

**1 Claim, 1 Drawing Sheet**

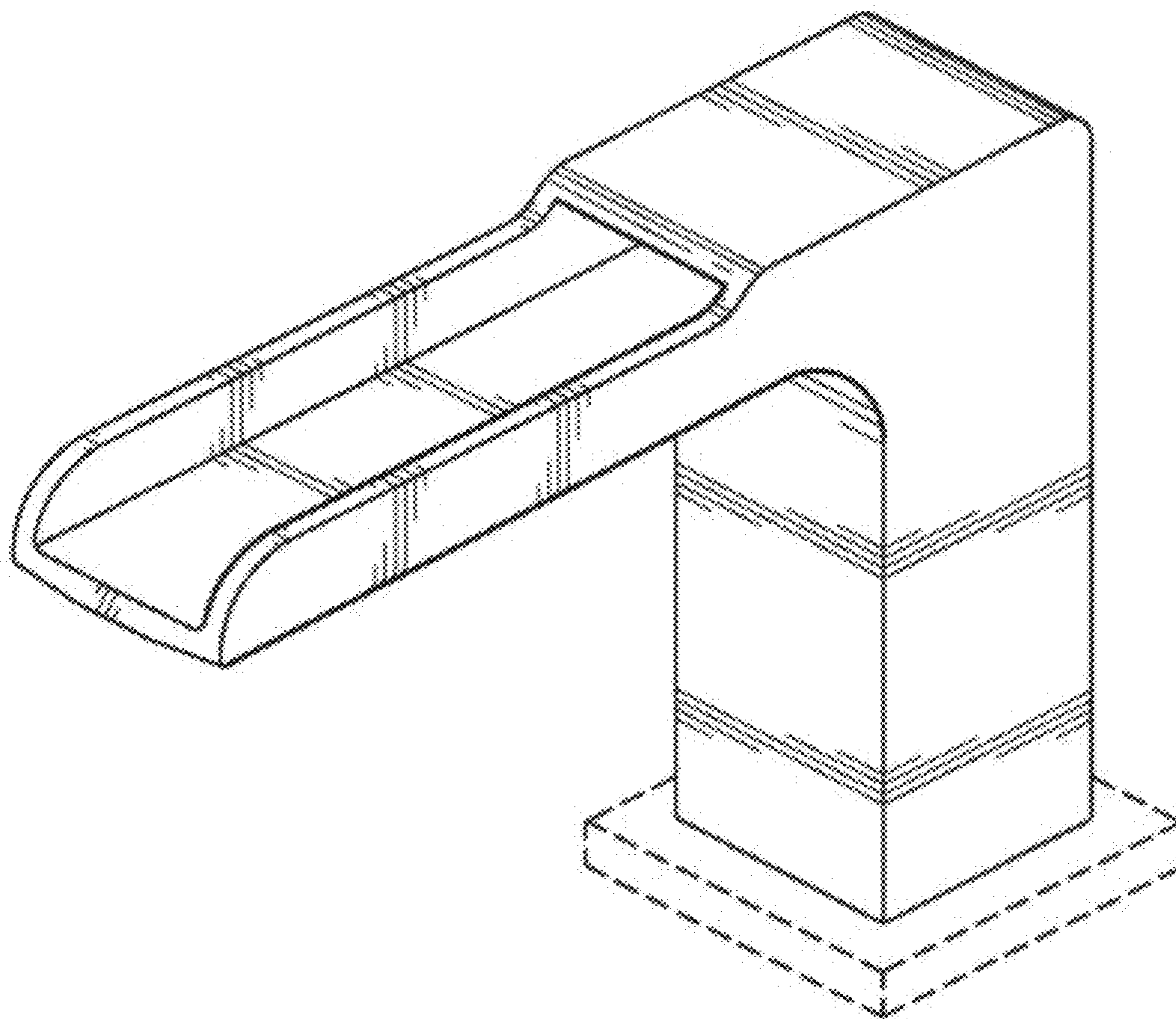


Fig-1

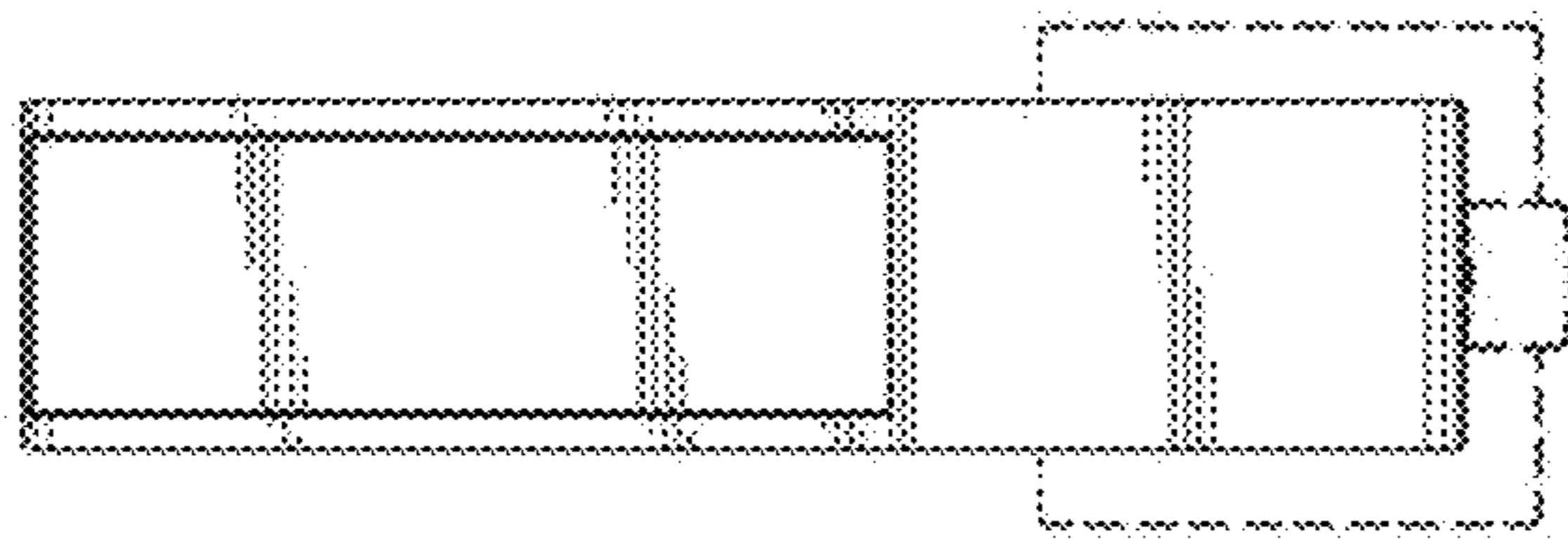
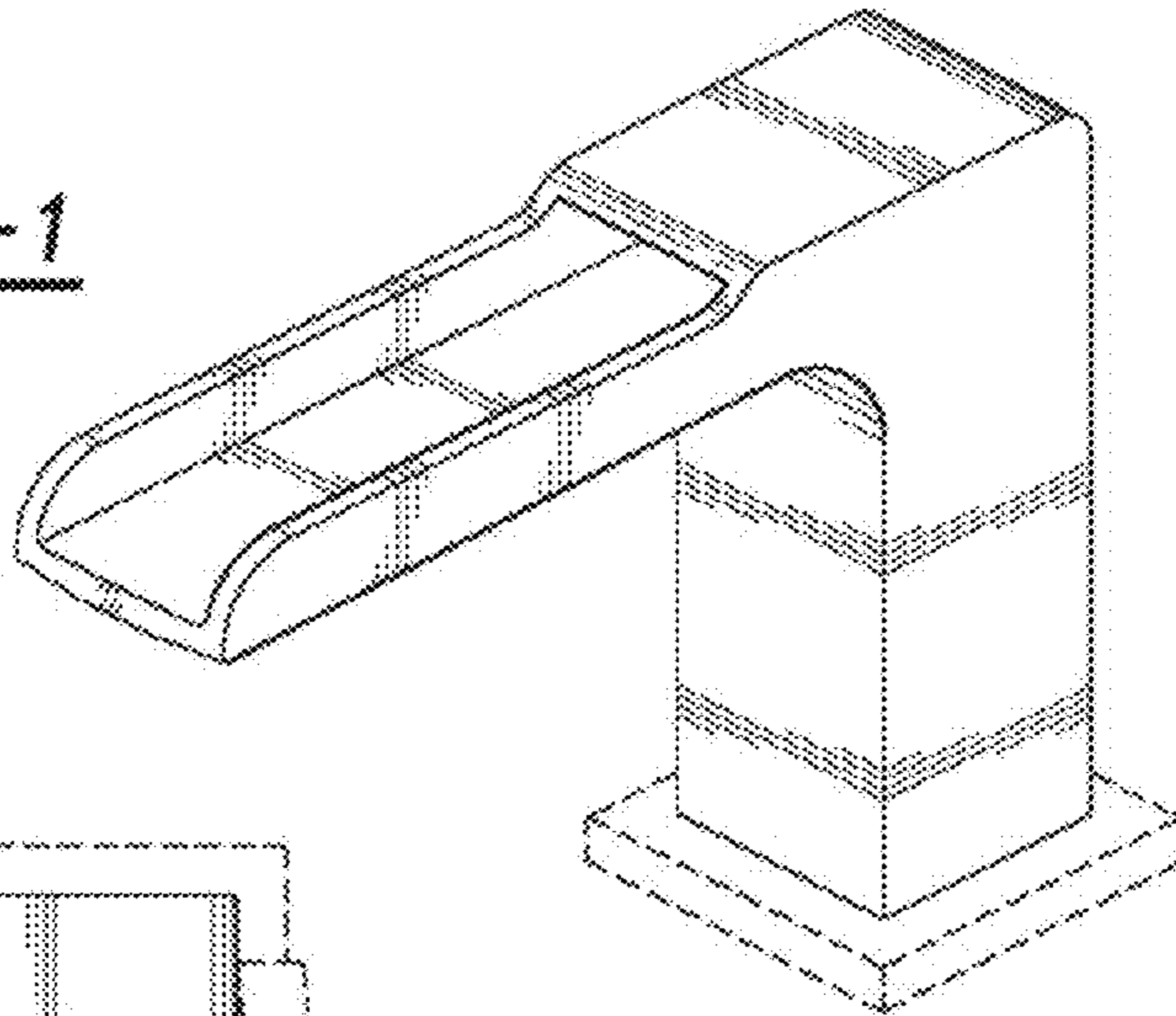


Fig-2

Fig-3

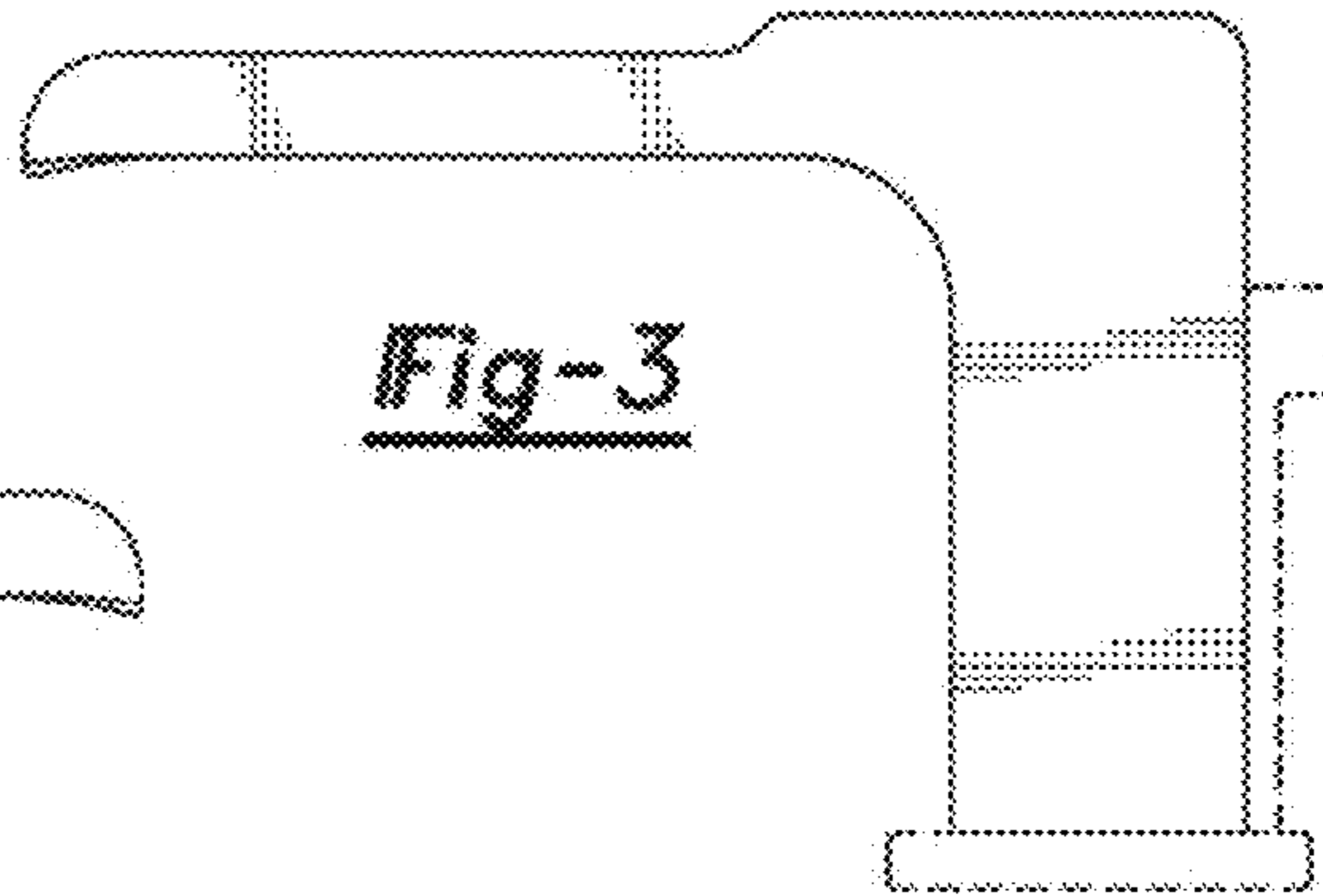


Fig-4

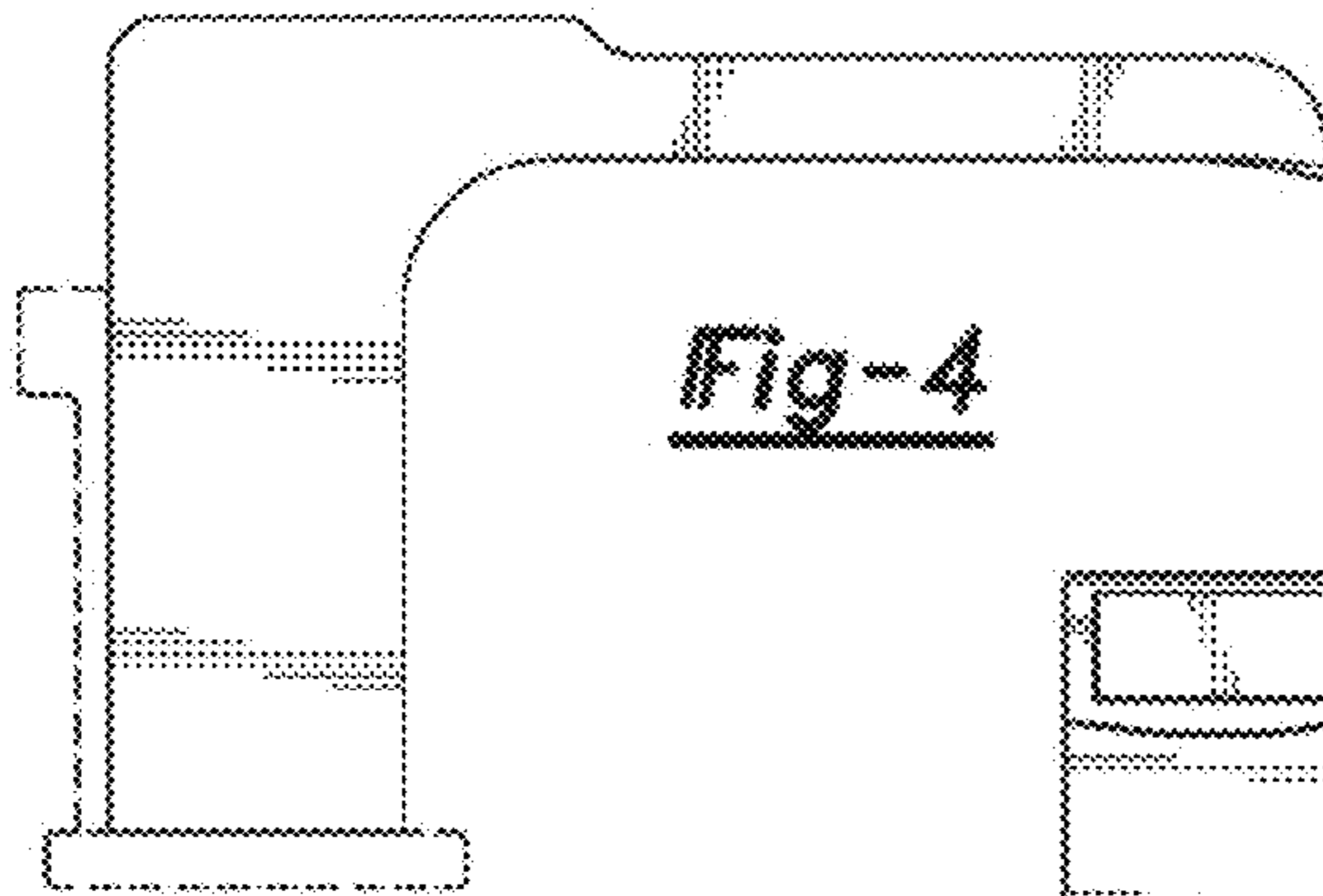


Fig-5

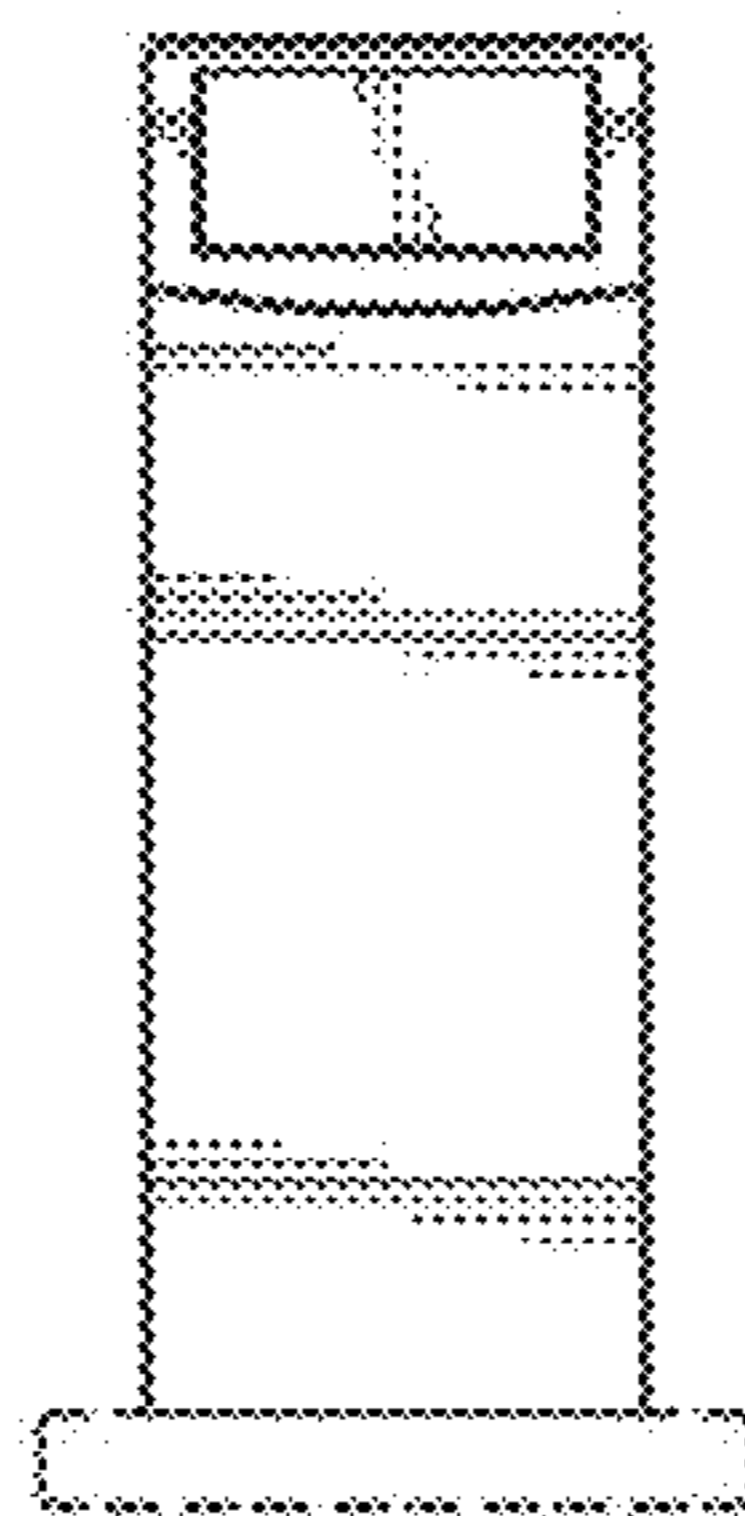


Fig-6

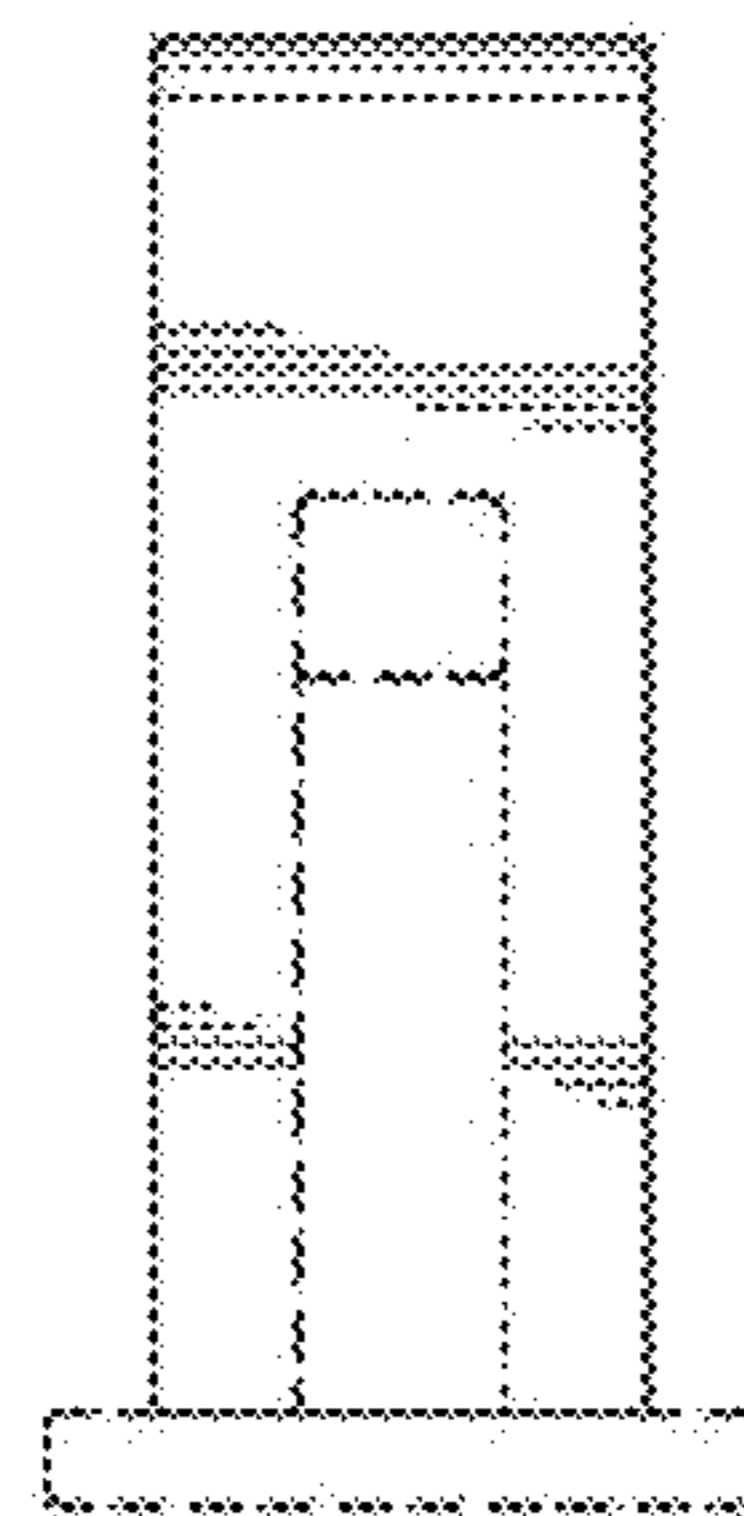


Fig-7

