



US00D680192S

(12) **United States Design Patent**
Eilmus

(10) **Patent No.:** **US D680,192 S0**

(45) **Date of Patent:** **** Apr. 16, 2013**

(54) **PLUMBING FITTING**

(75) Inventor: **Niels J. Eilmus**, Sheboygan, WI (US)

(73) Assignee: **Kohler Co.**, Kohler, WI (US)

(**) Term: **14 Years**

(21) Appl. No.: **29/417,078**

(22) Filed: **Mar. 29, 2012**

Related U.S. Application Data

(60) Division of application No. 29/324,385, filed on Sep. 11, 2008, which is a continuation-in-part of application No. 29/305,208, filed on Mar. 14, 2008, now Pat. No. Des. 585,111.

(51) **LOC (9) Cl.** **23-01**

(52) **U.S. Cl.**

USPC **D23/238**

(58) **Field of Classification Search** D23/200,
D23/238-257; D6/512, 546, 550; D8/300,
D8/307-308, 310-312, 321; 4/675-678;
137/801, 599.01; 16/110.1, 441

See application file for complete search history.

(56) **References Cited**

U.S. PATENT DOCUMENTS

1,838,290	A	12/1931	Steckel	
D313,836	S *	1/1991	Knapp	D23/238
D315,397	S *	3/1991	Knapp	D23/238
D326,505	S *	5/1992	Kohler et al.	D23/255
D344,127	S *	2/1994	Carr et al.	D23/238
D347,262	S *	5/1994	Black et al.	D23/230
D351,529	S	10/1994	Scott, Jr.	
D363,763	S *	10/1995	Starck	D23/243
D376,413	S *	12/1996	Kergoet	D23/238
D378,491	S	3/1997	Chretien	
D440,637	S *	4/2001	Lefroy-Brooks	D23/255
D457,938	S *	5/2002	Lobermeier	D23/238

D458,988	S *	6/2002	Schroder	D23/243
6,425,149	B1	7/2002	Wang	
D461,529	S	8/2002	Gottwald	
D464,711	S	10/2002	Warshawsky	
D469,157	S *	1/2003	Lobermeier	D23/238
D472,308	S	3/2003	Hundley	
D478,370	S *	8/2003	Ouyoung	D23/238
D481,445	S	10/2003	Haug et al.	
D491,253	S *	6/2004	Hansle	D23/241

(Continued)

FOREIGN PATENT DOCUMENTS

CH 296918 4/2005

OTHER PUBLICATIONS

U.S. Appl. No. 29/223,614, filed Feb. 17, 2005, Lammel.

(Continued)

Primary Examiner — T. Chase Nelson

Assistant Examiner — Mark Cavanna

(74) *Attorney, Agent, or Firm* — Foley & Lardner LLP

(57) **CLAIM**

I claim the ornamental design for a plumbing fitting, as shown and described.

DESCRIPTION

FIG. 1 is a right, top, front perspective view of a plumbing fitting embodying my new design;

FIG. 2 is a right side elevational view of FIG. 1;

FIG. 3 is a left side elevational view thereof;

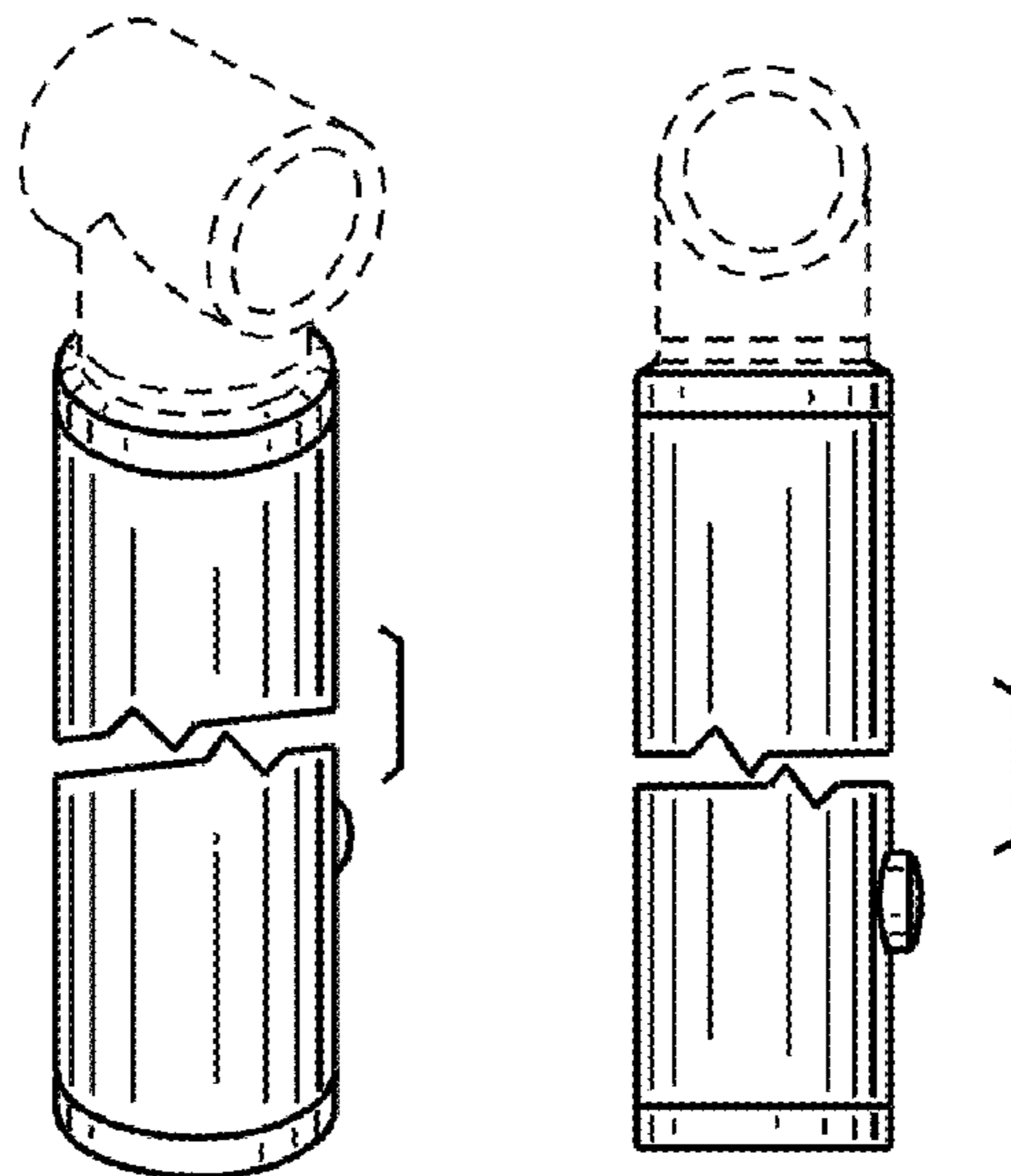
FIG. 4 is a front elevational view thereof;

FIG. 5 is a top plan view thereof; and,

FIG. 6 is a bottom plan view thereof.

The plumbing fitting is shown with a symbolic break in its length. The appearance of any portion of the article between the break lines forms no part of the claimed design.

1 Claim, 1 Drawing Sheet



US D680,192 S0

Page 2

U.S. PATENT DOCUMENTS

D492,393 S 6/2004 Herring et al.
D496,714 S 9/2004 Warshawsky
D496,715 S 9/2004 Warshawsky
D497,197 S 10/2004 Warshawsky
D497,410 S 10/2004 Warshawsky
D497,411 S 10/2004 Warshawsky
D508,551 S 8/2005 Warshawsky
D508,552 S 8/2005 Warshawsky
D514,198 S * 1/2006 Starck D23/238
D514,664 S * 2/2006 Starck D23/238
D516,171 S * 2/2006 Meylan D23/238
D525,342 S * 7/2006 Starck D23/238
D527,076 S 8/2006 Kolin et al.
D527,796 S 9/2006 Lammel
D528,188 S * 9/2006 Lammel et al. D23/238
D529,580 S * 10/2006 Shieh D23/238
D530,787 S * 10/2006 Yoshioka et al. D23/238
D531,698 S 11/2006 Wood et al.
D534,992 S 1/2007 Lobermeier et al.
D535,356 S 1/2007 Kuran et al.
D540,435 S 4/2007 Wilcox et al.
D548,308 S 8/2007 Hoernig
D551,324 S 9/2007 Wilcox et al.
D560,762 S 1/2008 Eckhaus
D562,947 S 2/2008 Zhang
D565,705 S 4/2008 Kuran et al.
D571,437 S 6/2008 Kristensen et al.
D576,705 S 9/2008 McKeone
D579,080 S 10/2008 Zhang
D584,383 S * 1/2009 Eilmus D23/241
D585,111 S 1/2009 Eilmus
D589,121 S 3/2009 McKeone
D591,398 S * 4/2009 Lammel et al. D23/238
D599,893 S 9/2009 Sieger
D606,173 S 12/2009 Sieger
D612,015 S 3/2010 Lammel et al.
D619,220 S 7/2010 Semchuck et al.
D620,557 S 7/2010 Eilmus
D627,857 S 11/2010 Eilmus
D630,711 S 1/2011 Eilmus
D632,363 S 2/2011 McKeone

D641,454 S 7/2011 McKeone
D643,911 S 8/2011 Erickson et al.
D646,359 S 10/2011 Sieger
8,061,386 B2 11/2011 Mueller et al.
2006/0180222 A1* 8/2006 Kang 137/801

OTHER PUBLICATIONS

Cucina Porto Pot Filler Faucets, www.plumbingsupply.com/potfillerfaucets.html, 1995-2008, 1 page.
Danze Deck Mount Pot Filler, Parma Collection, www.plumbingsupply.com/potfillerfaucets.html, 1995-2008, 1 page.
Danze Opulence Pot Filler Kitchen Faucet, <http://www.faucet.com/decor/product.pl?mid+66199&fh+Chrome&N=222+3000606+222+103+219+55+3000368&Ne+5&CID+GOA>, 1994-2007, 1 page.
Danze Quality Wall Mount Pot Filler Faucet, Melrose Collection, www.plumbingsupply.com/potfillerfaucets.html, 1995-2008, 1 page.
Elements of Design, NuVo Pot Filler Faucets, www.plumbingsupply.com/potfillerfaucets.html, 1995-2008, 1 page.
Kohler Co., Fountainhead Integral Laminar Faucet, www.us.kohler.com/onlinecatalog/detail.jsp?from=thumb&frm=null&module=Lav, Dec. 31, 2007, 1 page.
Kohler Co., Margaux Single-Control Lavatory Faucet, Model K-16230-4, www.us.kohler.com/onlinecatalog/detail.jsp?from=thumb&frm=&module=Lavator, Dec. 31, 2007, 1 page.
Notice of Allowance for U.S. Appl. No. 29/410,523, mail date Mar. 5, 2012, 7 pages.
Restriction Requirement for U.S. Appl. No. 29/324,385, mail date Dec. 8, 2011, 8 pages.
Response to Restriction Requirement for U.S. Appl. No. 29/324,385, mail date Jan. 9, 2012, 8 pages.
Notice of Allowance for U.S. Appl. No. 29/305,208, mail date Oct. 27, 2008, 7 pages.
Office Action for U.S. Appl. No. 29/324,385, mail date May 1, 2012, 10 pages.
Restriction Requirement for U.S. Appl. No. 29/422,890, mail date Oct. 9, 2012, 6 pages.

* cited by examiner

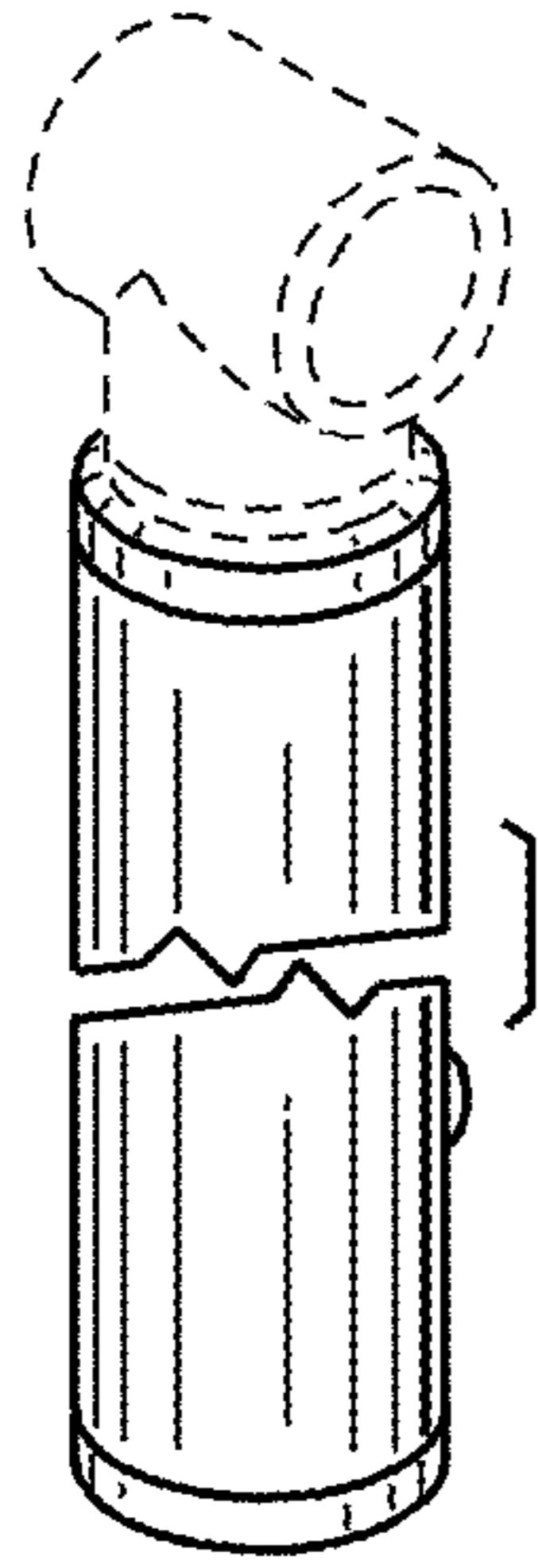


FIG. 1

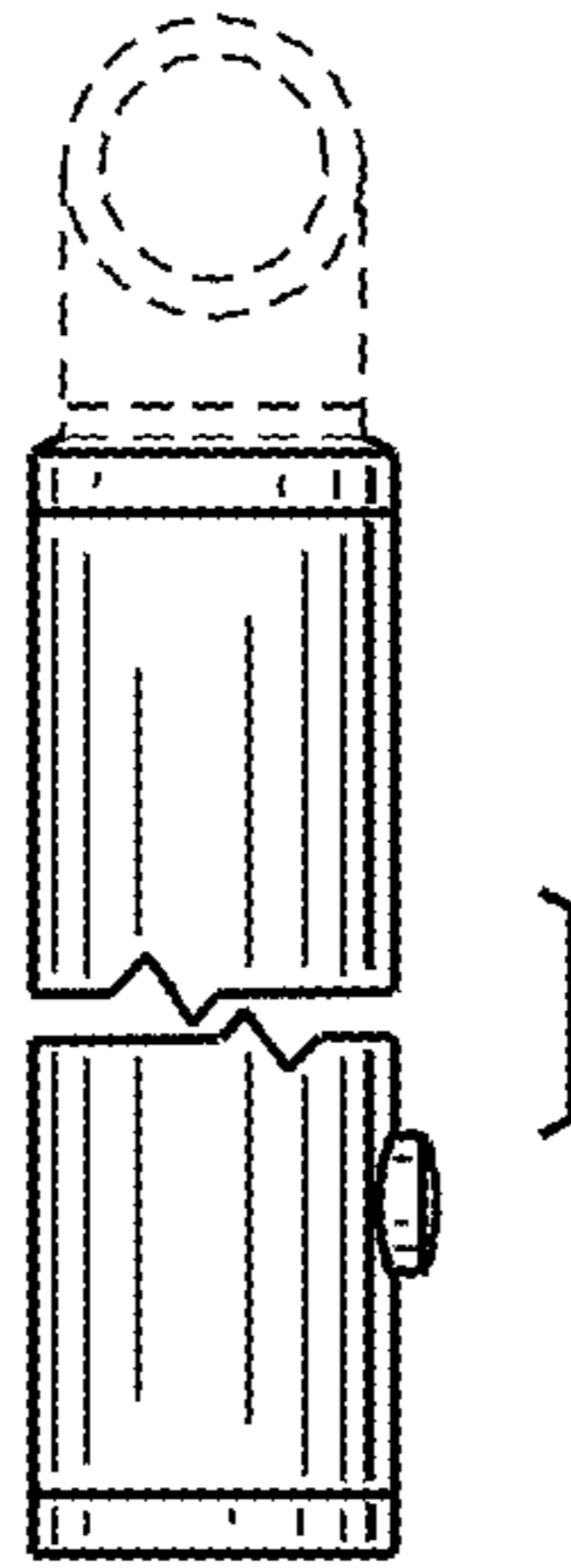


FIG. 2

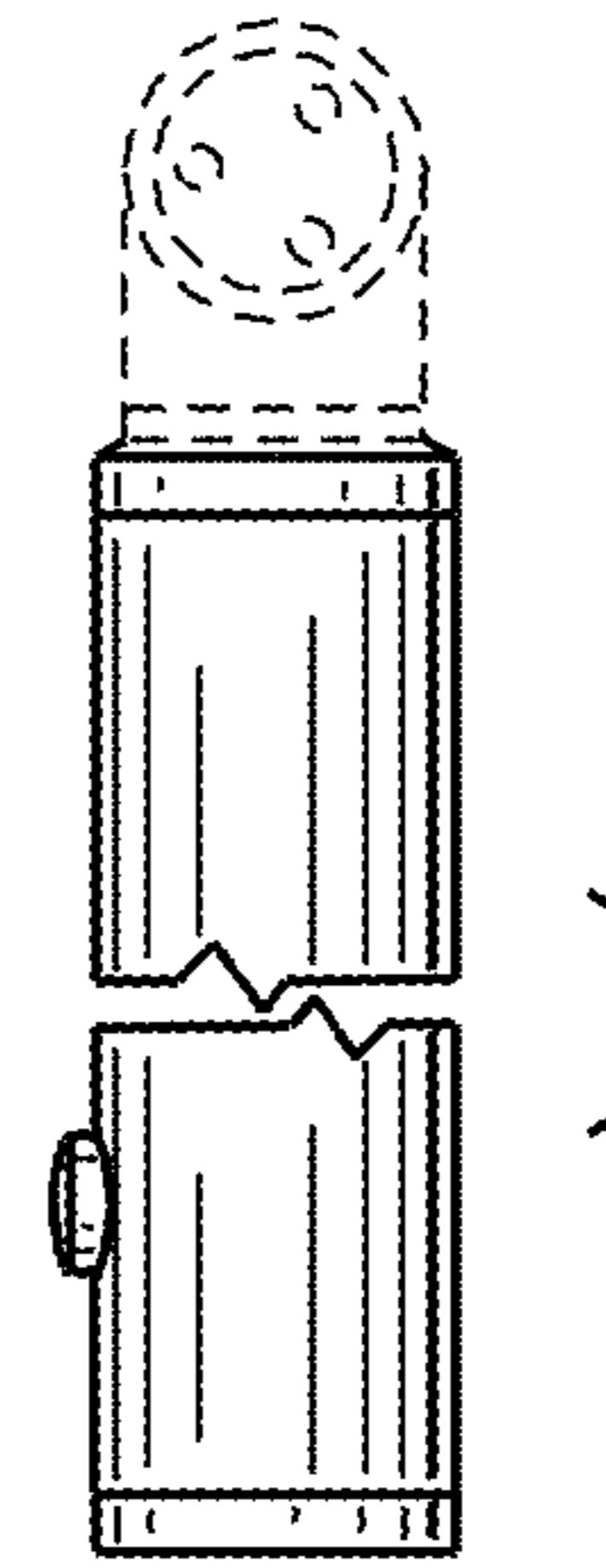


FIG. 3

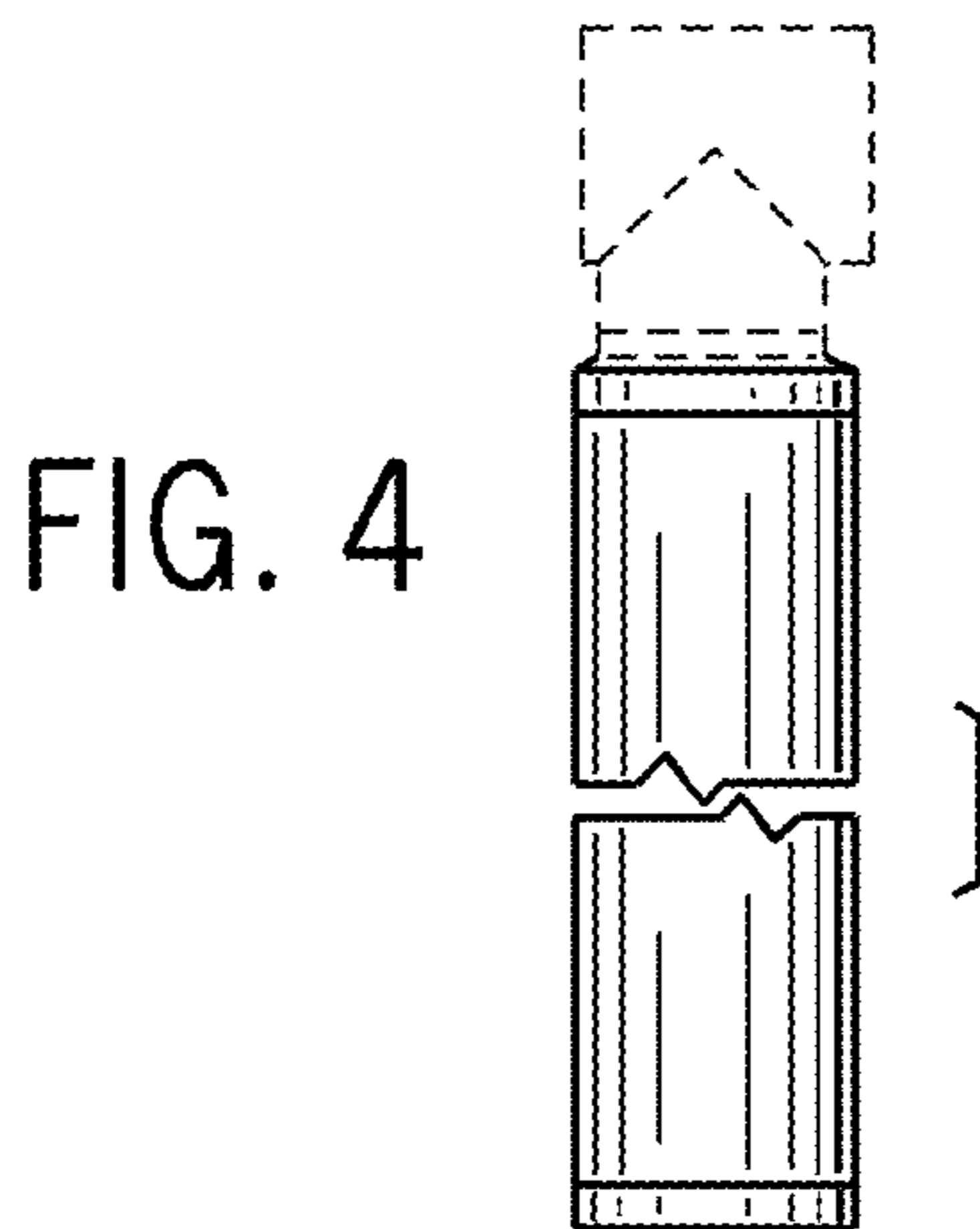


FIG. 4

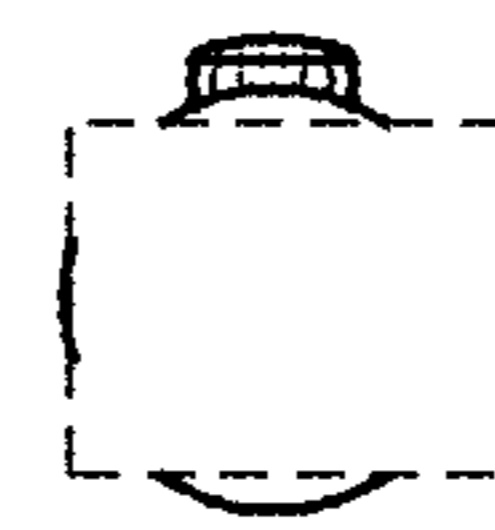


FIG. 5

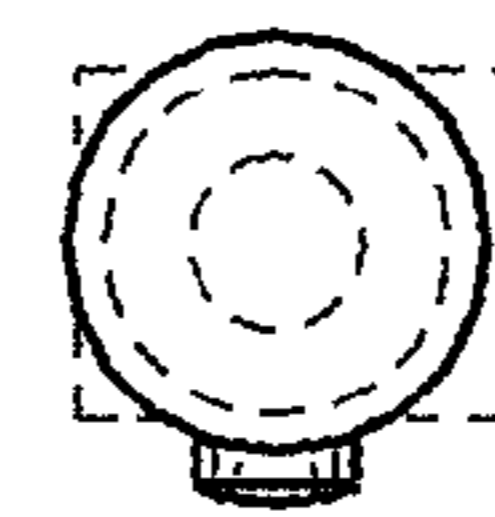


FIG. 6