



US00D680191S

(12) **United States Design Patent**
Koury et al.

(10) **Patent No.:** **US D680,191 S**
(45) **Date of Patent:** **** Apr. 16, 2013**

(54) **SHROUD FOR LIQUID-FILTRATION SYSTEMS**

(75) Inventors: **Steffen Koury**, Everett, MA (US);
James McGee, Chelsea, MA (US); **Paul Metaxatos**, Swampscott, MA (US)

(73) Assignee: **Aquasana, Inc.**, Haltom City, TX (US)

(**) Term: **14 Years**

(21) Appl. No.: **29/403,236**

(22) Filed: **Oct. 3, 2011**

(51) **LOC (9) Cl.** **23-01**

(52) **U.S. Cl.**
USPC **D23/209**

(58) **Field of Classification Search** D23/207,
D23/209; 210/435, 241
See application file for complete search history.

(56) **References Cited**

U.S. PATENT DOCUMENTS

D229,614 S *	12/1973	King et al.	D23/207
D397,764 S	9/1998	Strand	D23/209
D437,384 S *	2/2001	Fletcher et al.	D23/207
D446,840 S *	8/2001	Strand	D23/209
D482,755 S *	11/2003	Rhinehart et al.	D23/207
D485,330 S *	1/2004	Shyu	D23/207
D633,982 S *	3/2011	Palmer et al.	D23/209
D643,506 S *	8/2011	Miles et al.	D23/207
D643,507 S *	8/2011	Lee	D23/207

* cited by examiner

Primary Examiner — Robin V Webster

(74) *Attorney, Agent, or Firm* — Fulbright & Jaworski L.L.P.

(57) **CLAIM**

The ornamental design for shroud for liquid-filtration systems, as shown and described.

DESCRIPTION

FIG. 1 is a front perspective view of a first embodiment of my design comprising a shroud for liquid-filtration systems (e.g., a countertop water-filtration system) and a portion of a base of a liquid-filtration system;

FIGS. 2-3 are front and rear orthogonal views of the first embodiment;

FIGS. 4-5 are left and right orthogonal views of the first embodiment;

FIG. 6 is a top orthogonal view of the first embodiment;

FIG. 7 is a front perspective view of a second embodiment of my design comprising a shroud for liquid-filtration systems, the primary difference between the second embodiment and the first embodiment being that the second embodiment does not include any portion of the base of the exemplary liquid-filtration system;

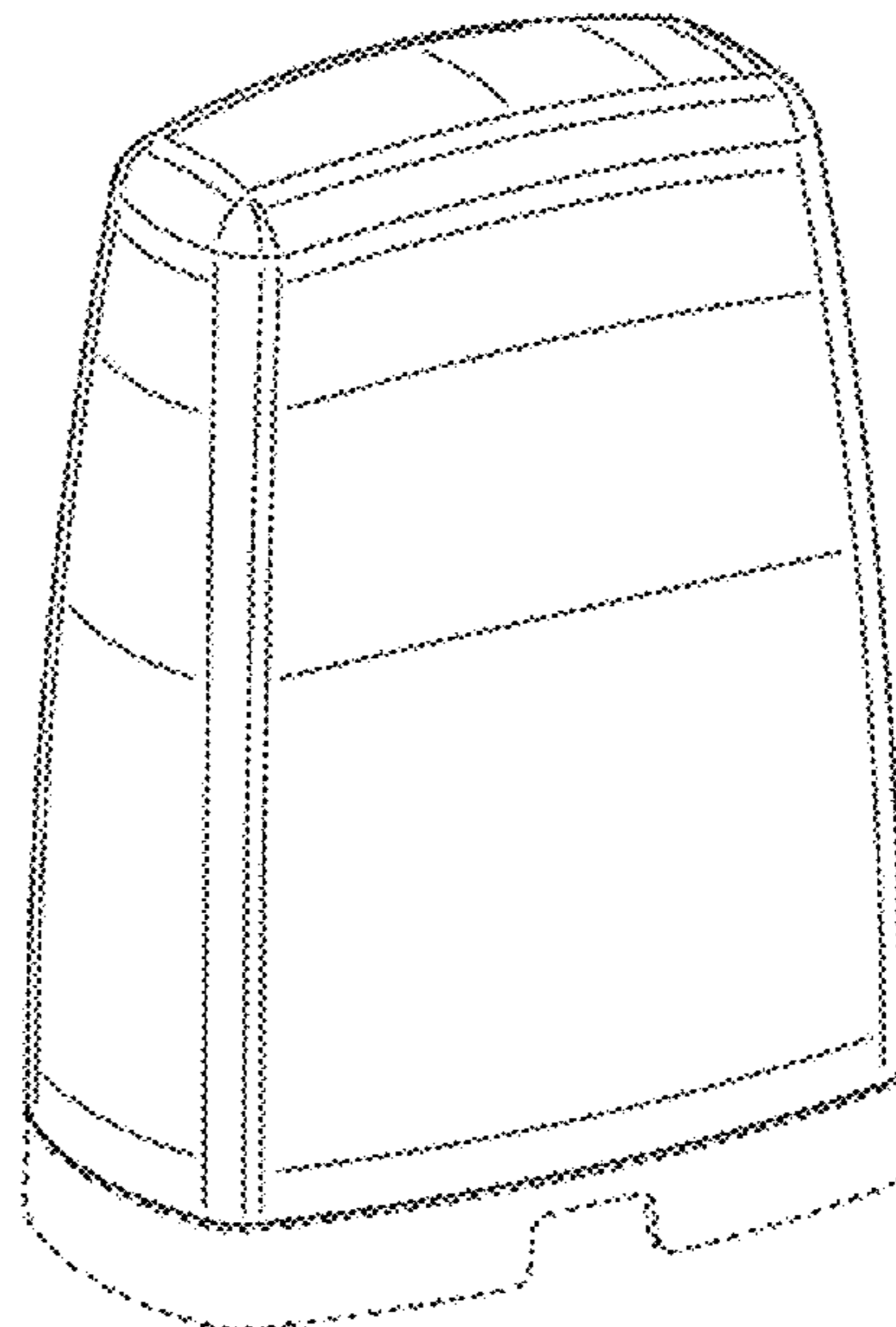
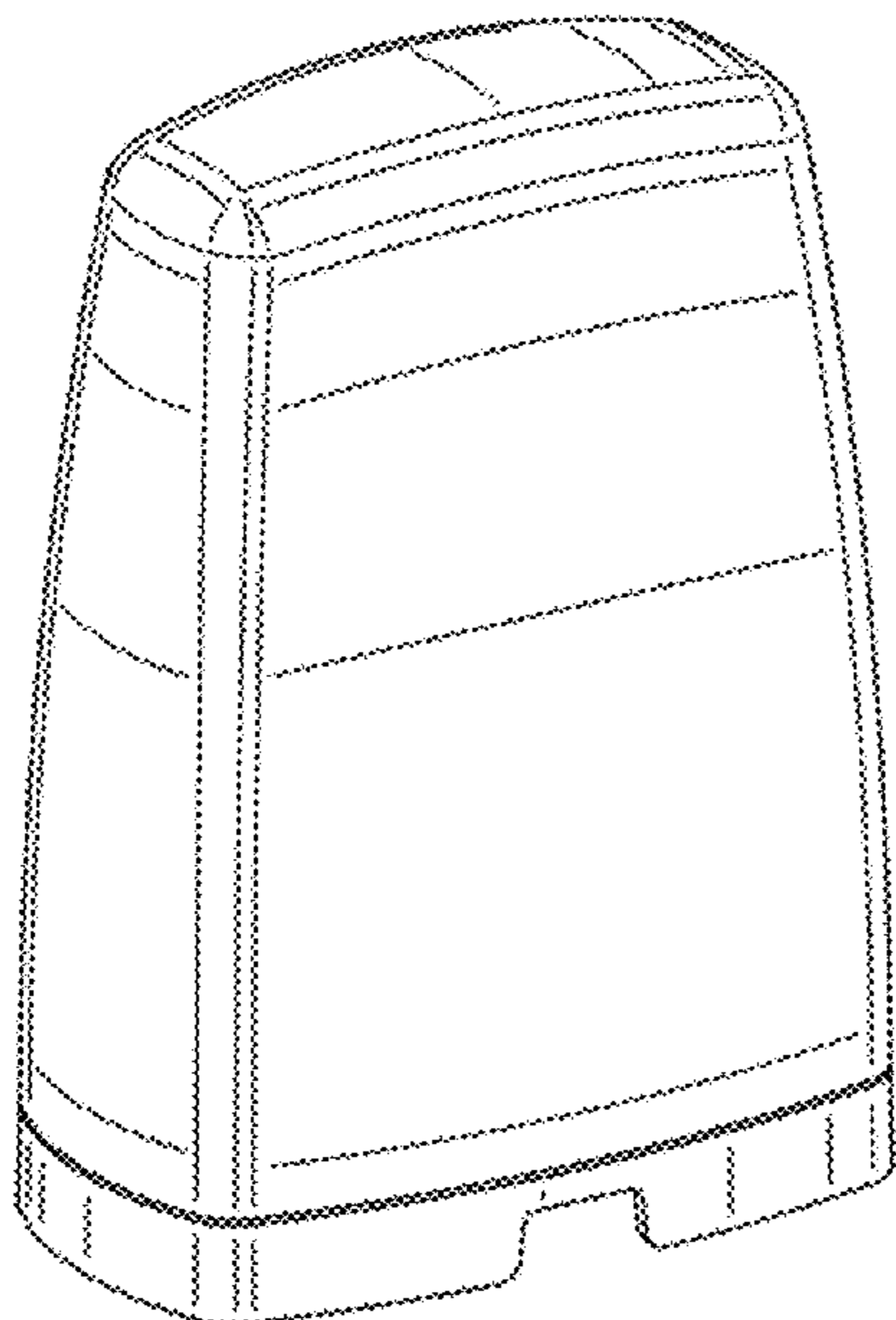
FIG. 8-9 are front and rear orthogonal views of the first embodiment;

FIGS. 10-11 are left and right orthogonal views of the second embodiment; and,

FIG. 12 is a top orthogonal view of the second embodiment. The dashed lines in FIGS. 7-11 represent environmental structure and form no part of the claimed design. Specifically, the environmental structure in FIGS. 7-11 represent a portion of the base of an example of a liquid-filtration system.

All other surface(s) or portion(s) of the embodiments of our design not shown in the figures or otherwise described in the specification form no part of the claimed design.

1 Claim, 10 Drawing Sheets



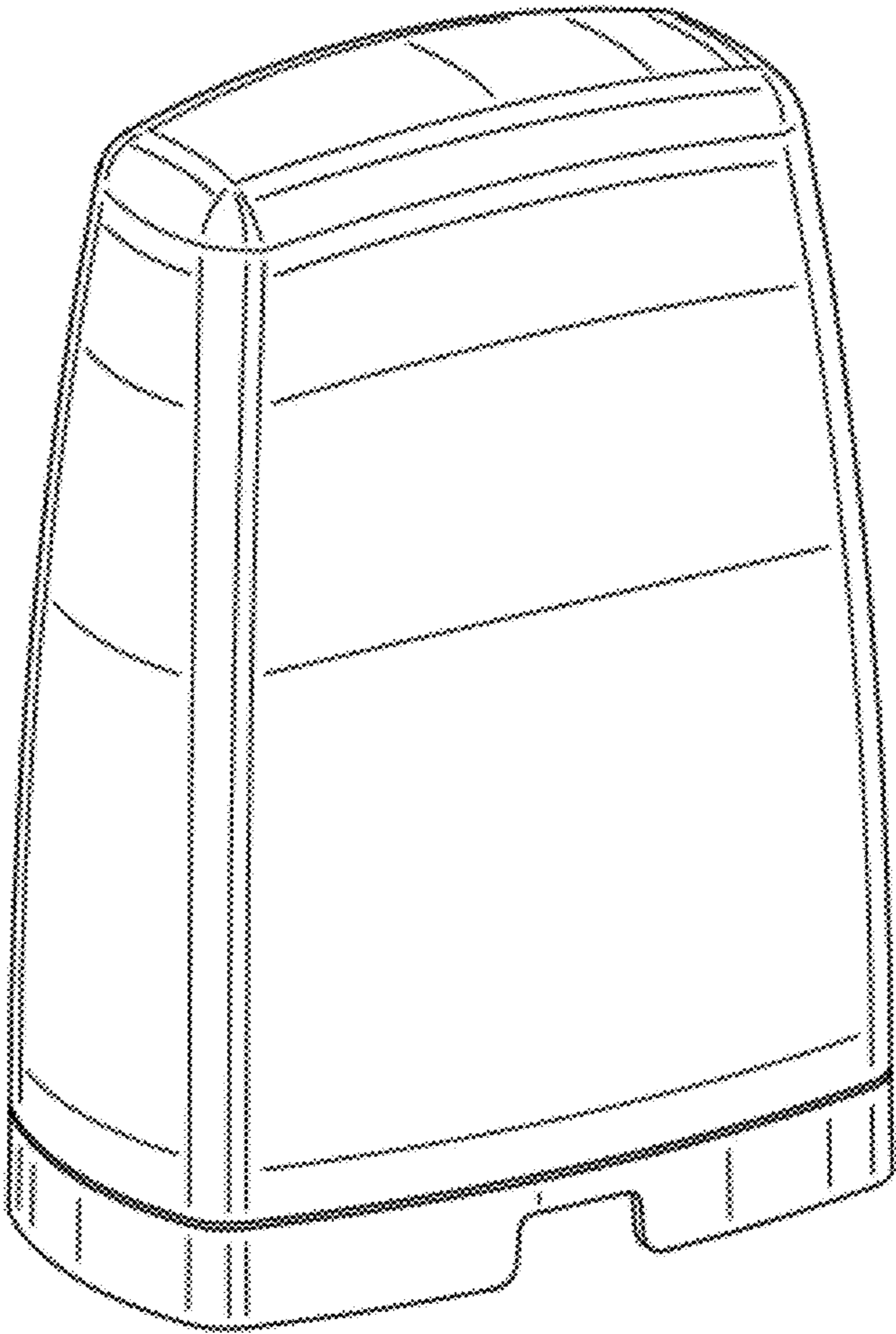


FIG. 1

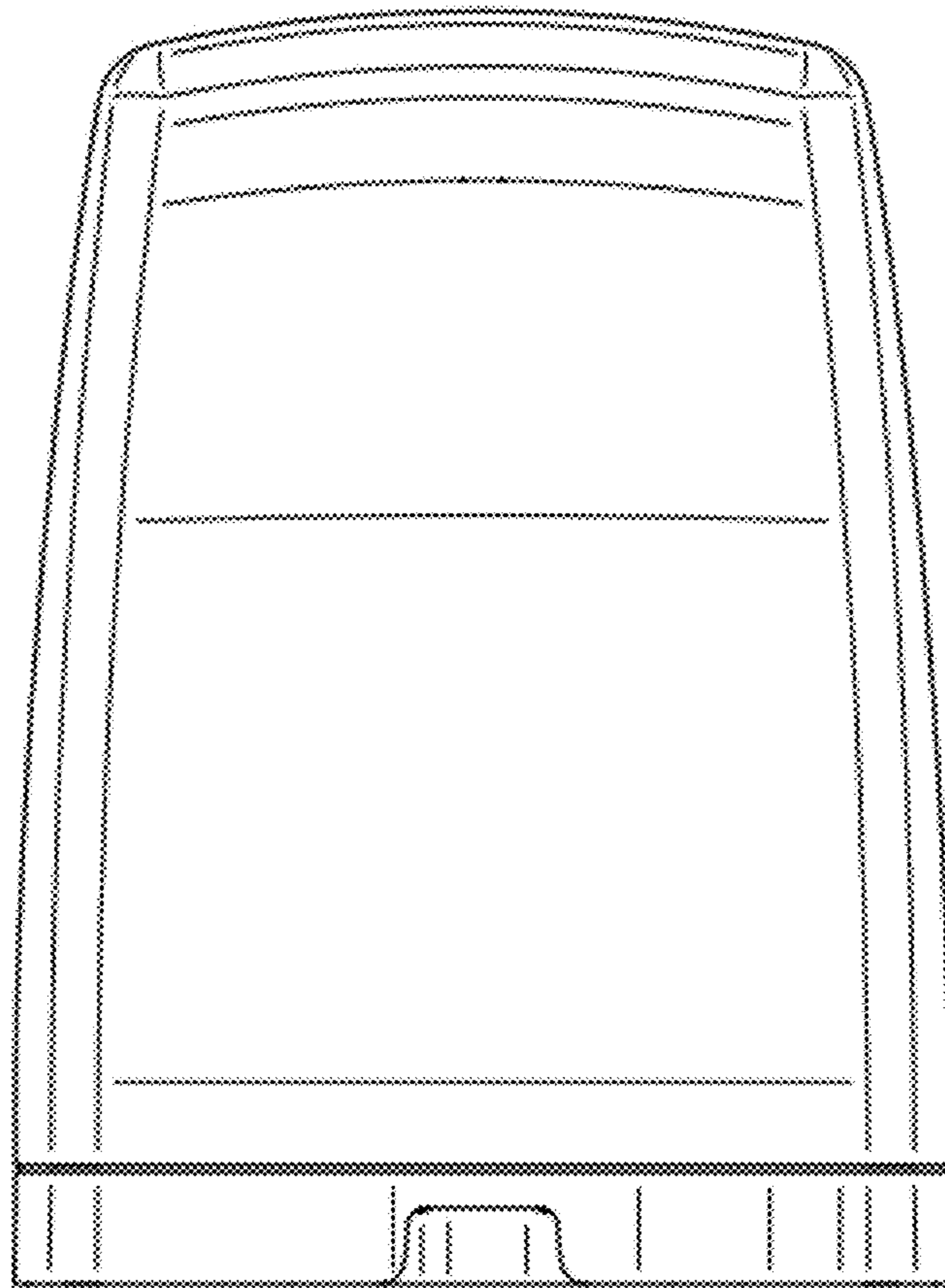


FIG. 2

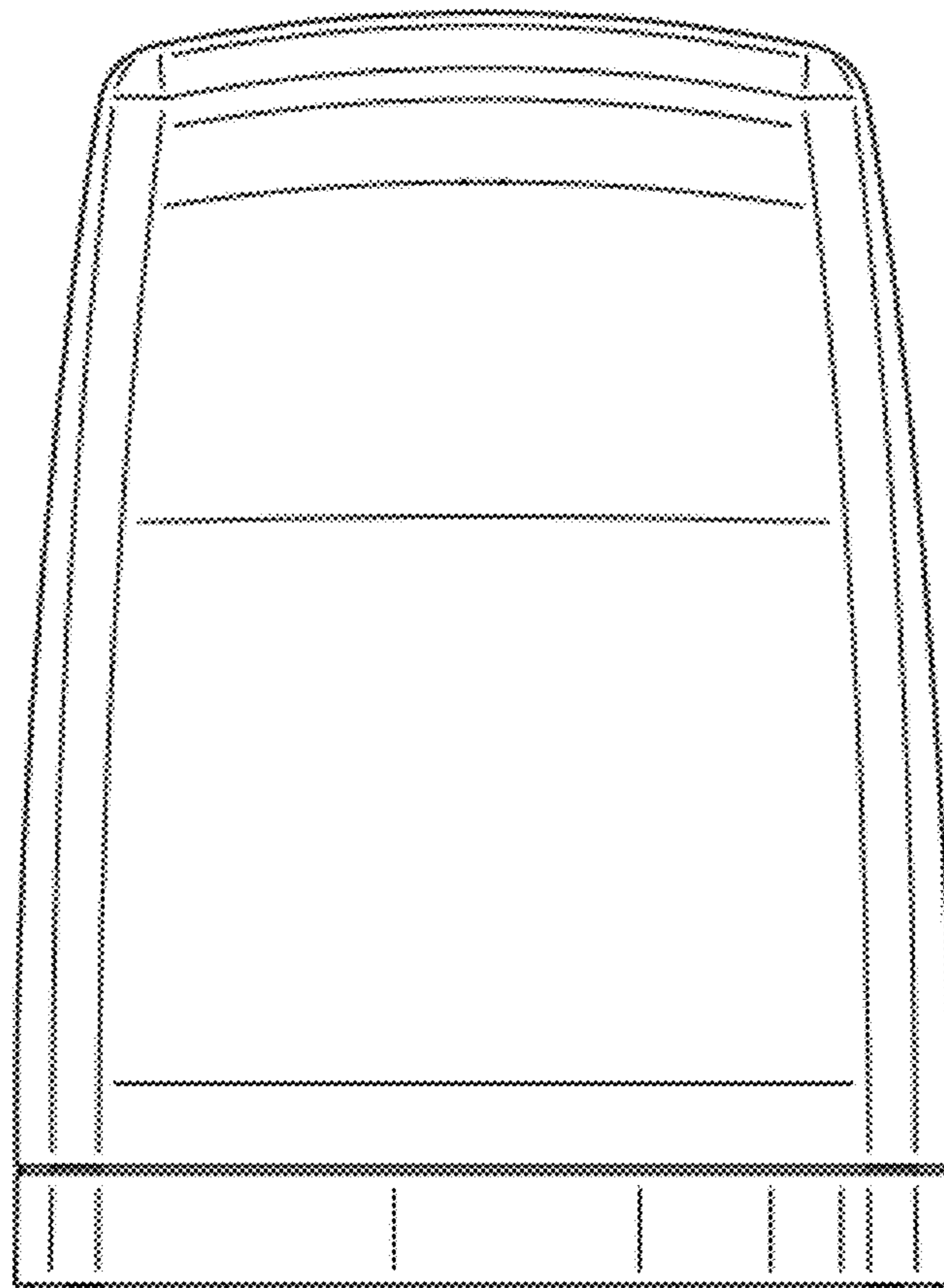


FIG. 3

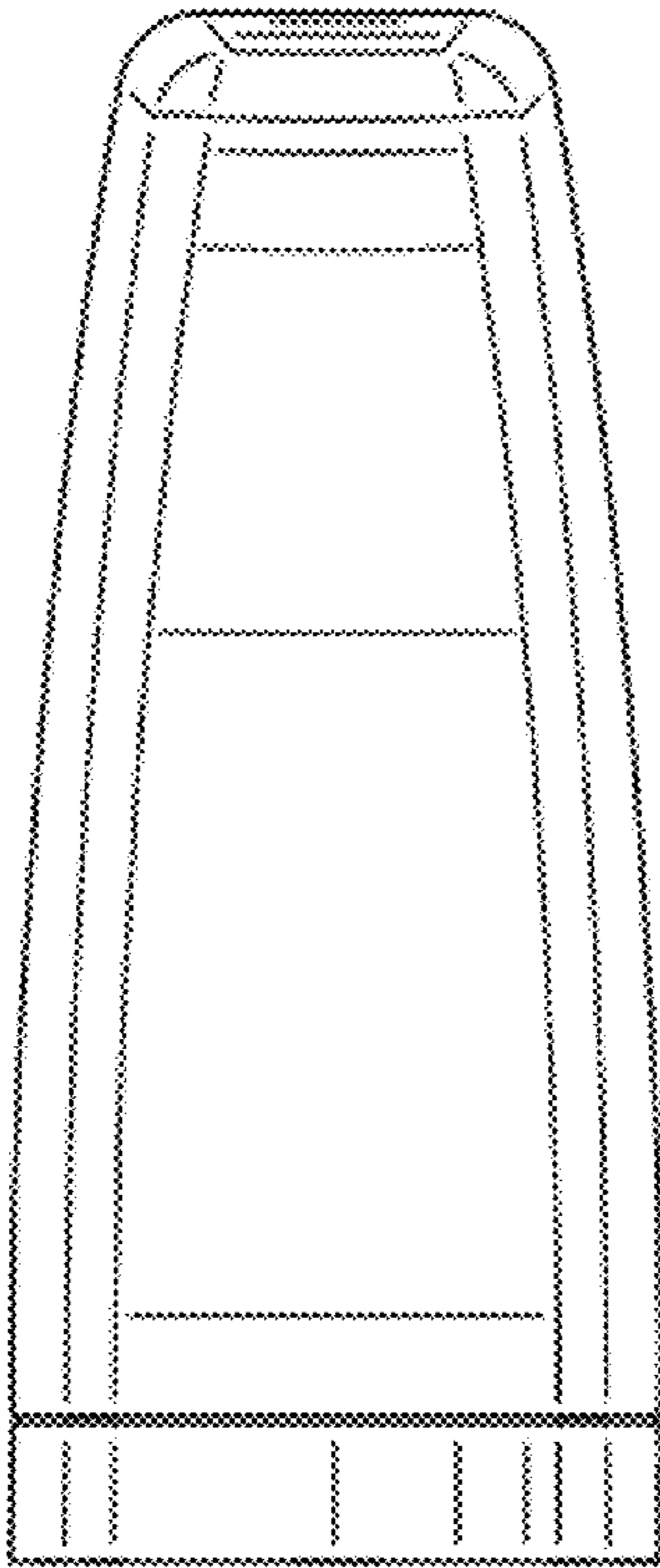


FIG. 4

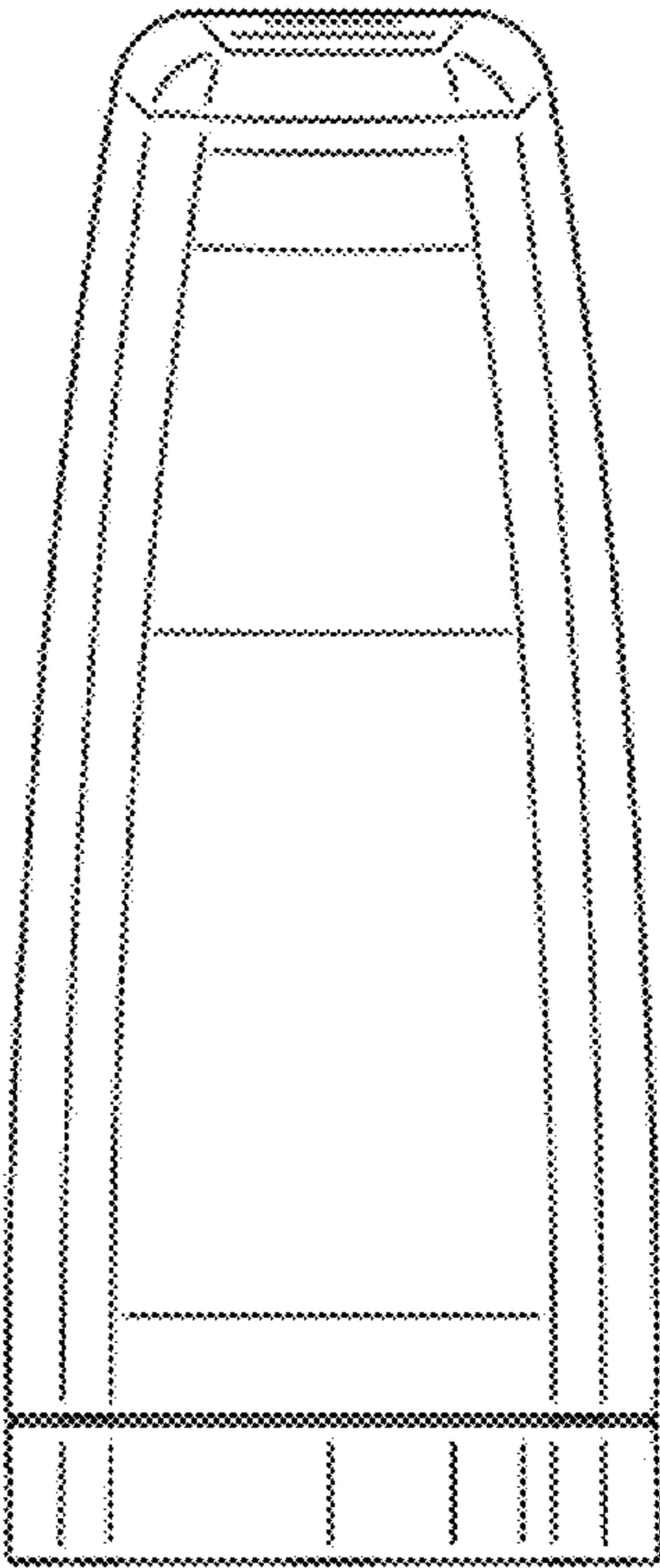


FIG. 5

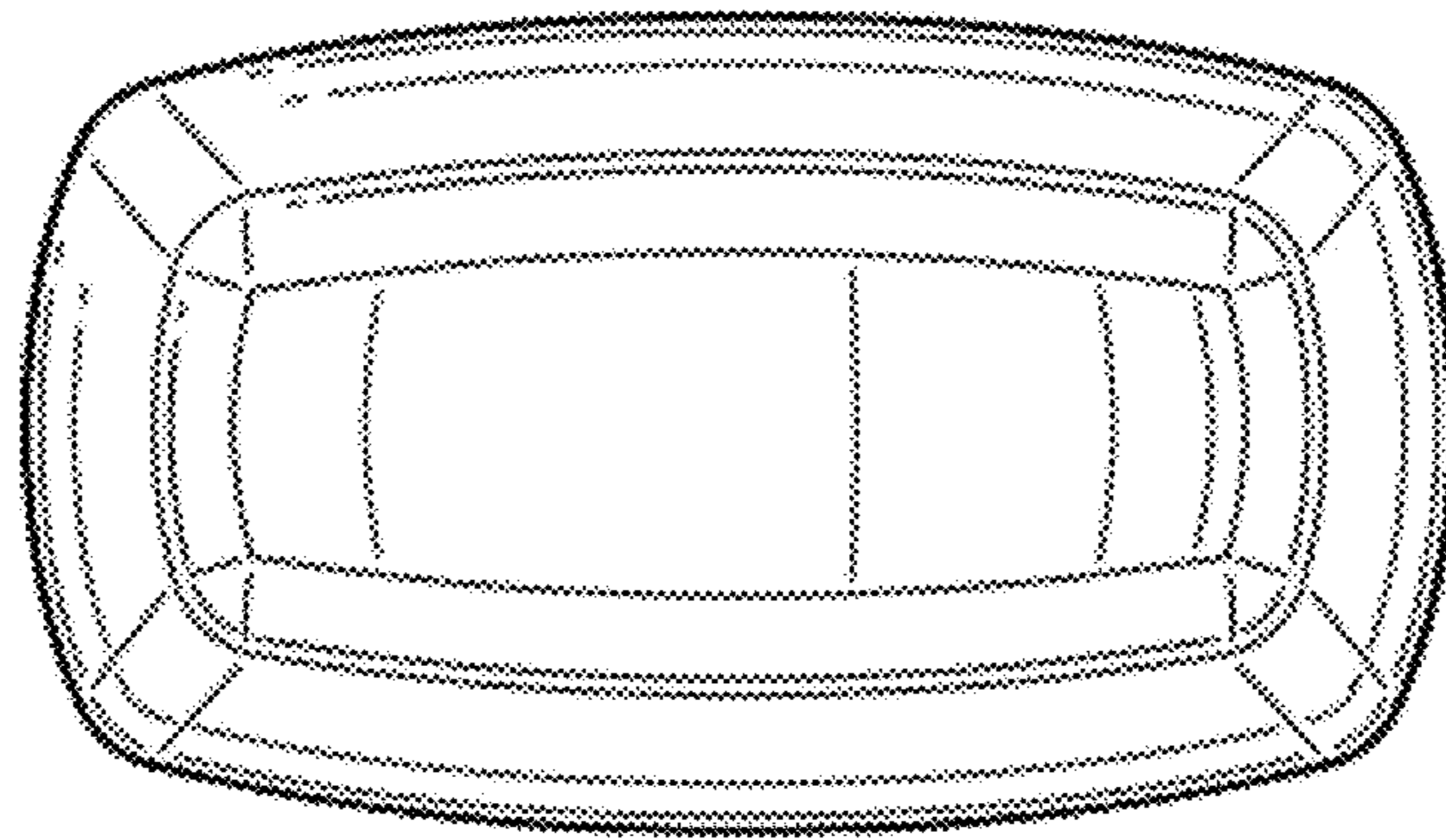


FIG. 6

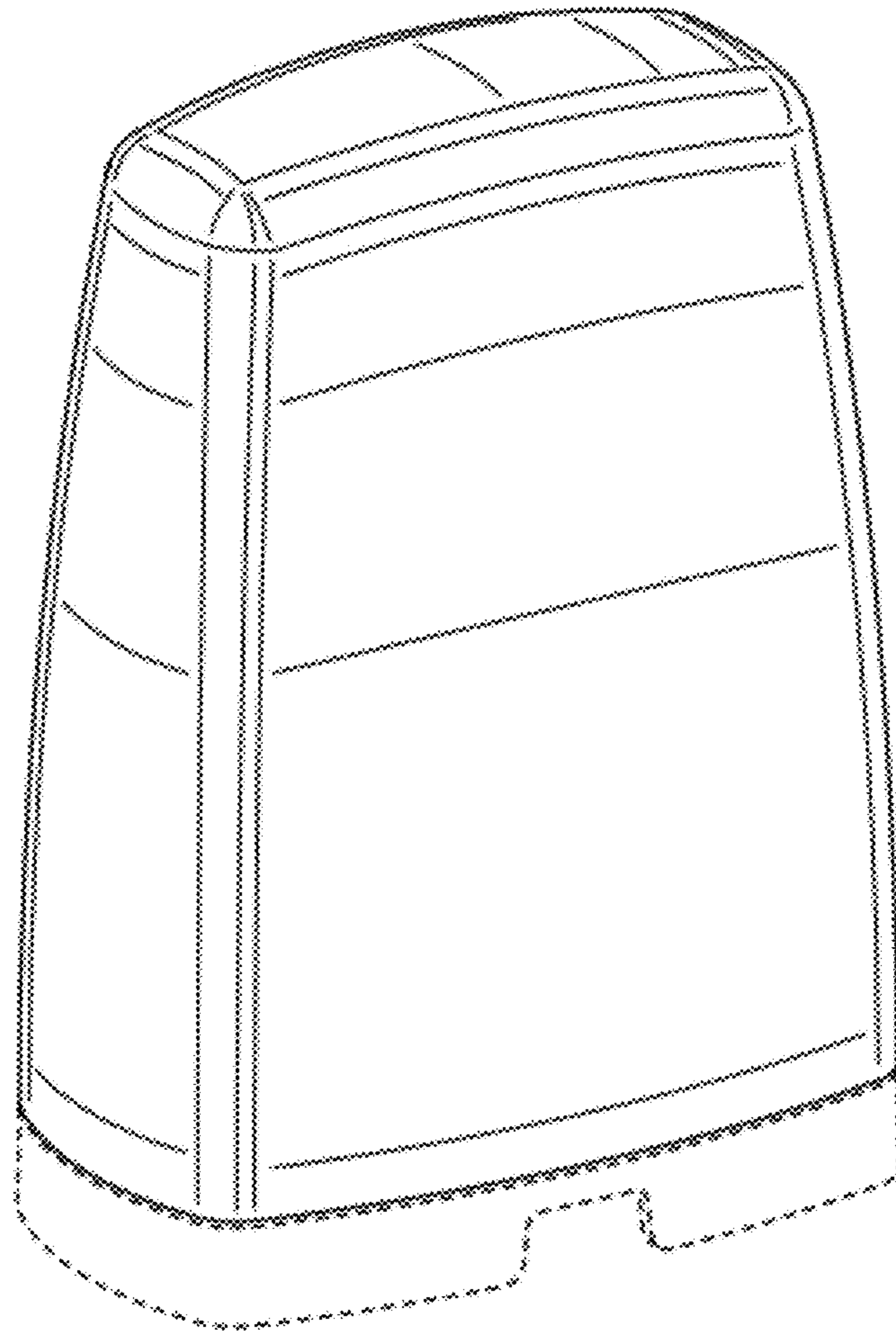


FIG. 7

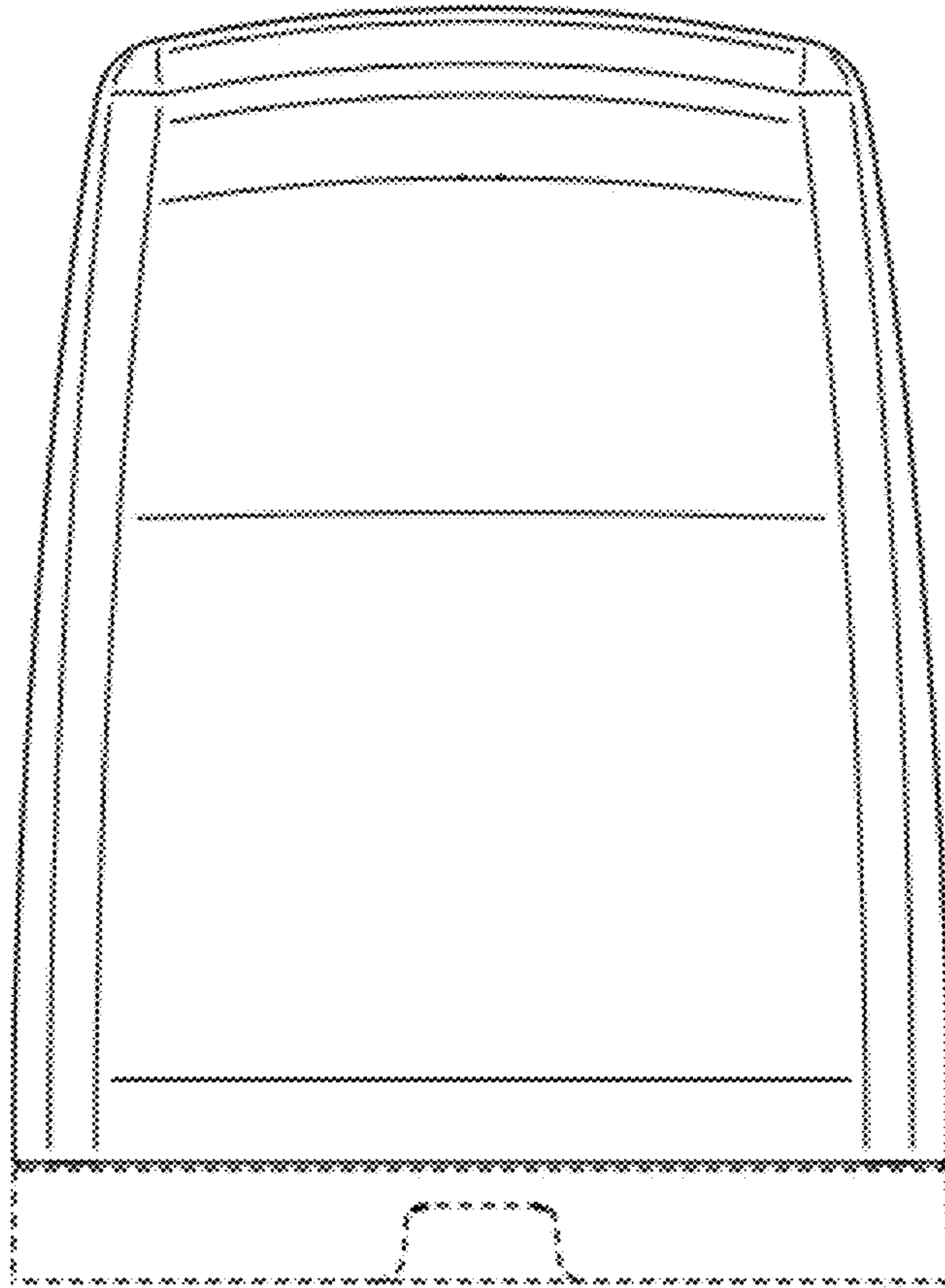


FIG. 8

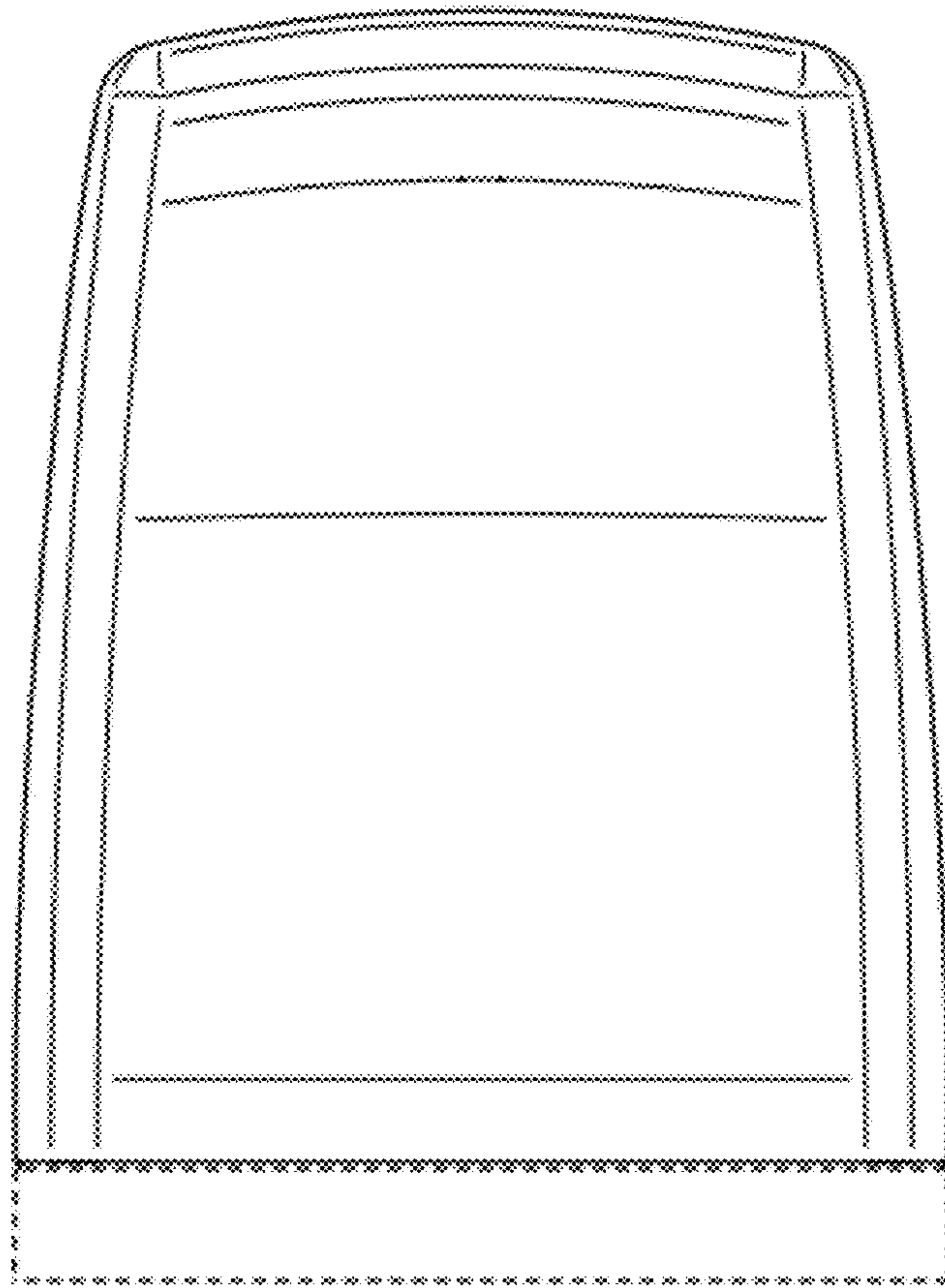


FIG. 9

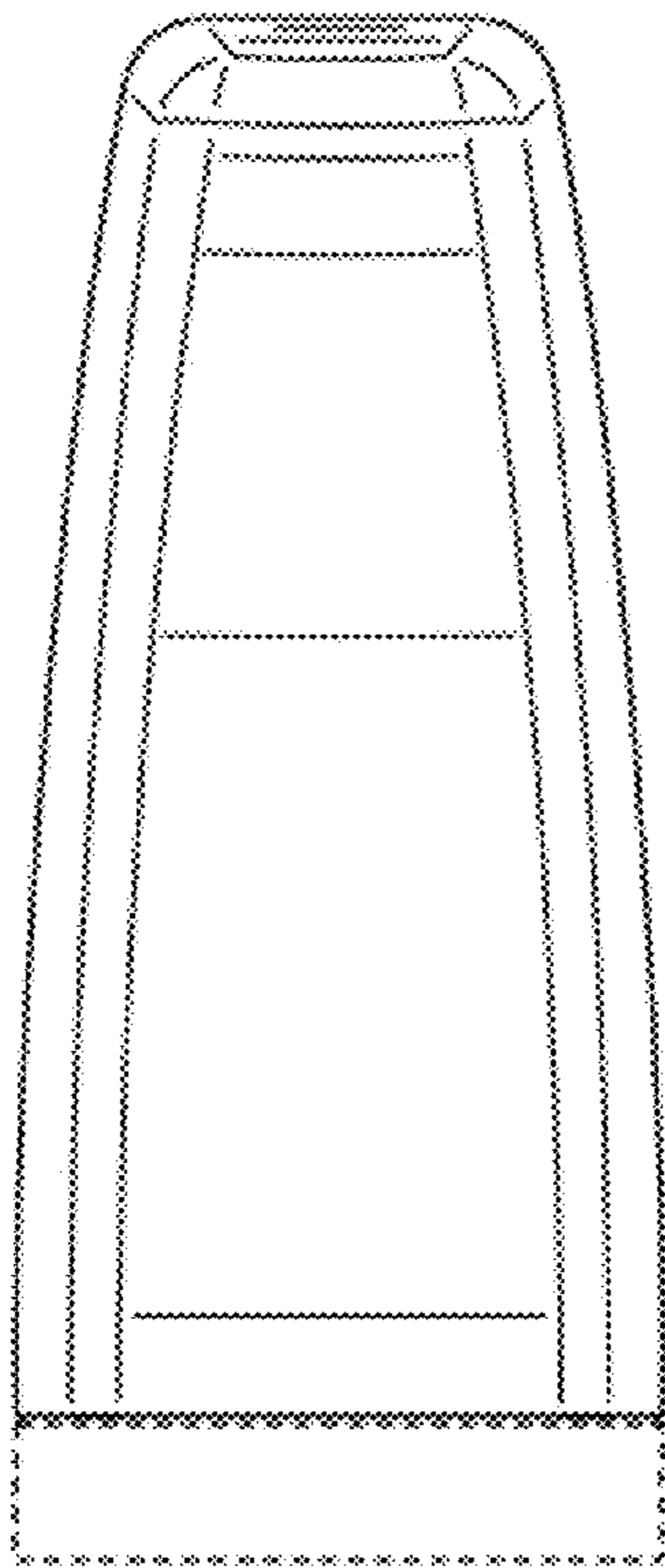


FIG. 10

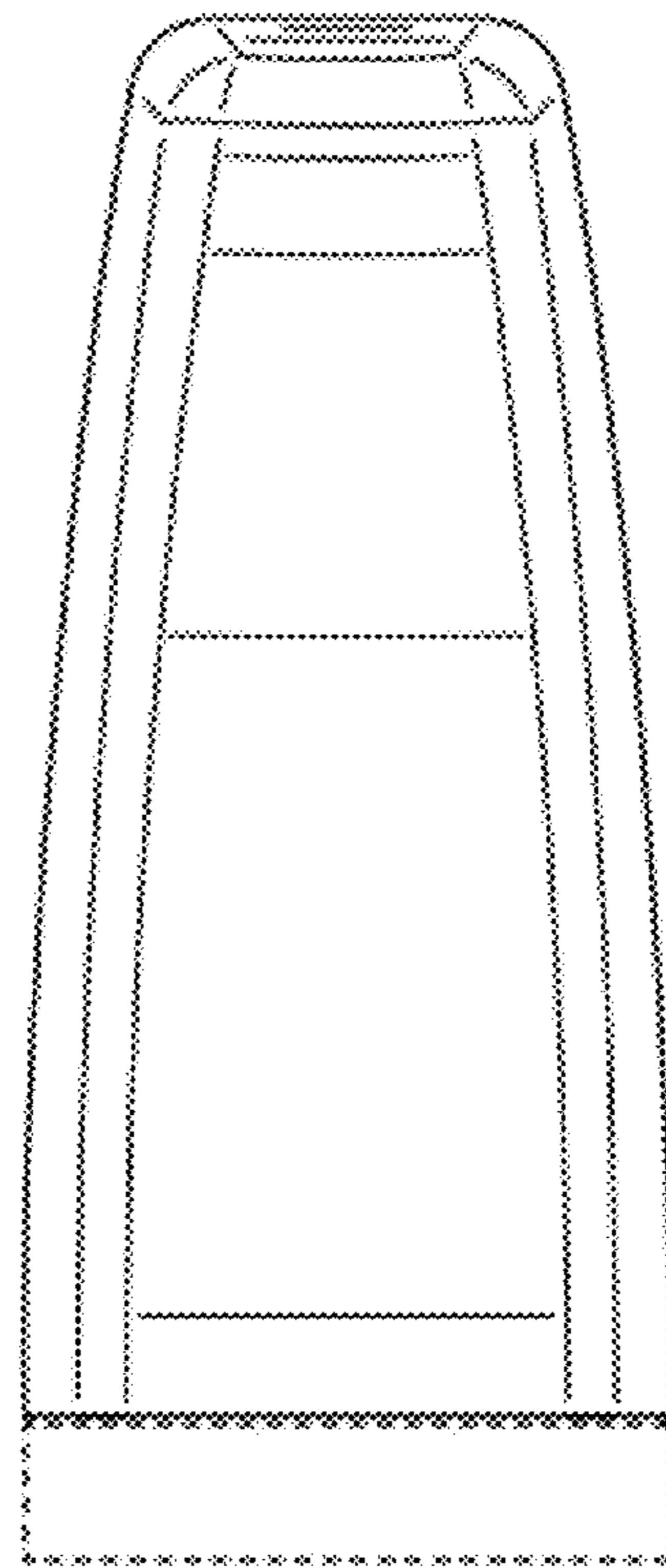


FIG. 11

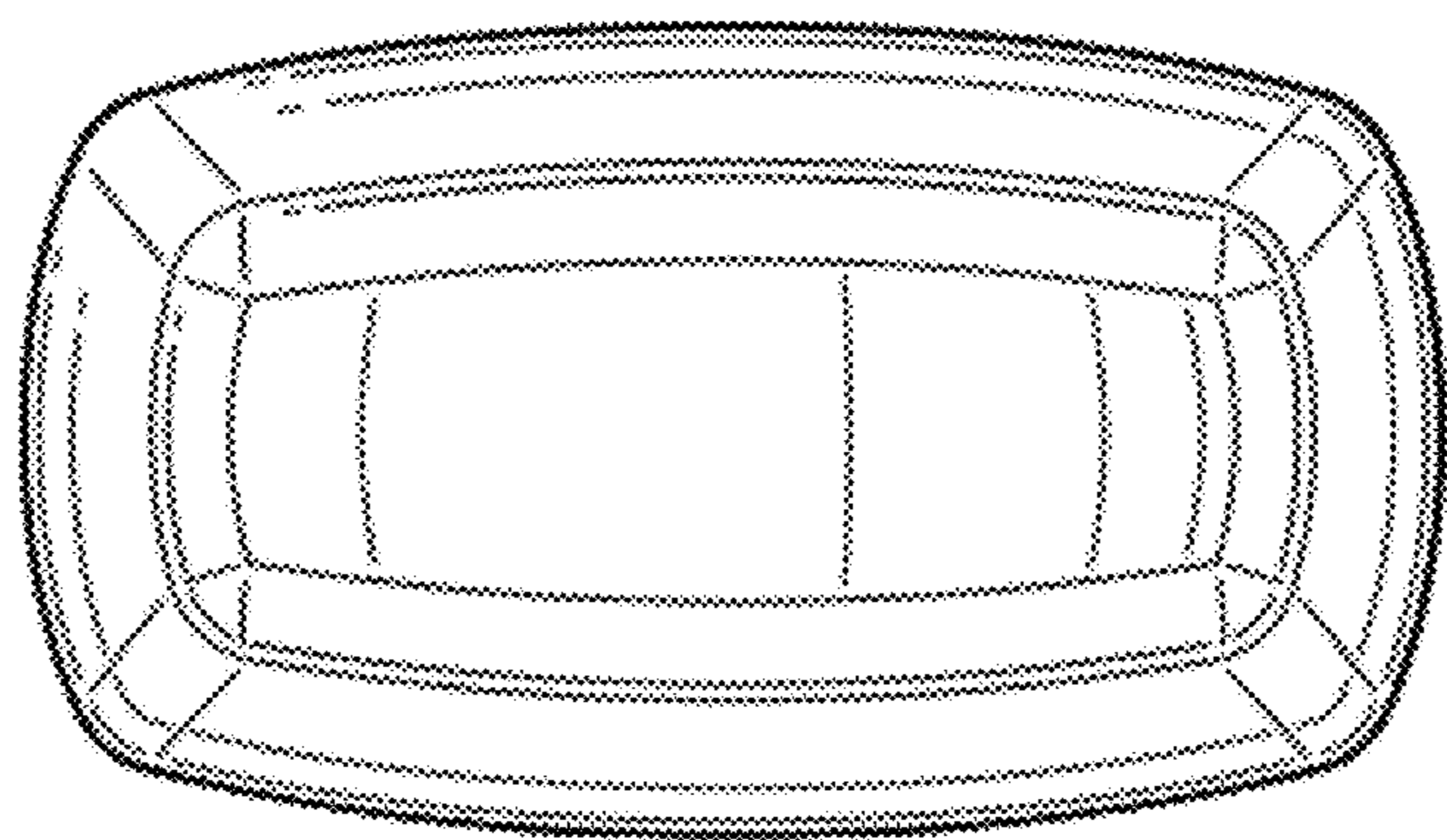


FIG. 12

UNITED STATES PATENT AND TRADEMARK OFFICE
CERTIFICATE OF CORRECTION

PATENT NO. : D680,191 S
APPLICATION NO. : 29/403236
DATED : April 16, 2013
INVENTOR(S) : Koury et al.

Page 1 of 12

It is certified that error appears in the above-identified patent and that said Letters Patent is hereby corrected as shown below:

Please delete the title page and insert the title page showing an illustrative figure as attached.

In the Drawings

Please delete drawing sheets 1-10 and insert drawing sheets 1-10 with figures 1-12 as attached.

Signed and Sealed this
Eighth Day of April, 2014



Michelle K. Lee
Deputy Director of the United States Patent and Trademark Office

(12) **United States Design Patent** (10) **Patent No.:** **US D680,191 S**
Koury et al. (45) **Date of Patent:** **** Apr. 16, 2013**

(54) **SHROUD FOR LIQUID-FILTRATION SYSTEMS**

(75) Inventors: **Steffen Koury**, Everett, MA (US);
James McGee, Chelsea, MA (US); **Paul Metaxatos**, Swampscott, MA (US)

(73) Assignee: **Aquasana, Inc.**, Haltom City, TX (US)

(**) Term: **14 Years**

(21) Appl. No.: **29/403,236**

(22) Filed: **Oct. 3, 2011**

(51) **LOC (9) Cl.** **23-01**

(52) **U.S. Cl.**
USPC **D23/209**

(58) **Field of Classification Search** **D23/207,**
D23/209; 210/435, 241
 See application file for complete search history.

(56) **References Cited**

U.S. PATENT DOCUMENTS

D229,614 S *	12/1973	King et al.	D23/207
D397,764 S	9/1998	Strand	D23/209
D437,384 S *	2/2001	Fletcher et al.	D23/207
D446,840 S *	8/2001	Strand	D23/209
D482,755 S *	11/2003	Rhinehart et al.	D23/207
D485,330 S *	1/2004	Shyu	D23/207
D633,982 S *	3/2011	Palmer et al.	D23/209
D643,506 S *	8/2011	Miles et al.	D23/207
D643,507 S *	8/2011	Lee	D23/207

* cited by examiner

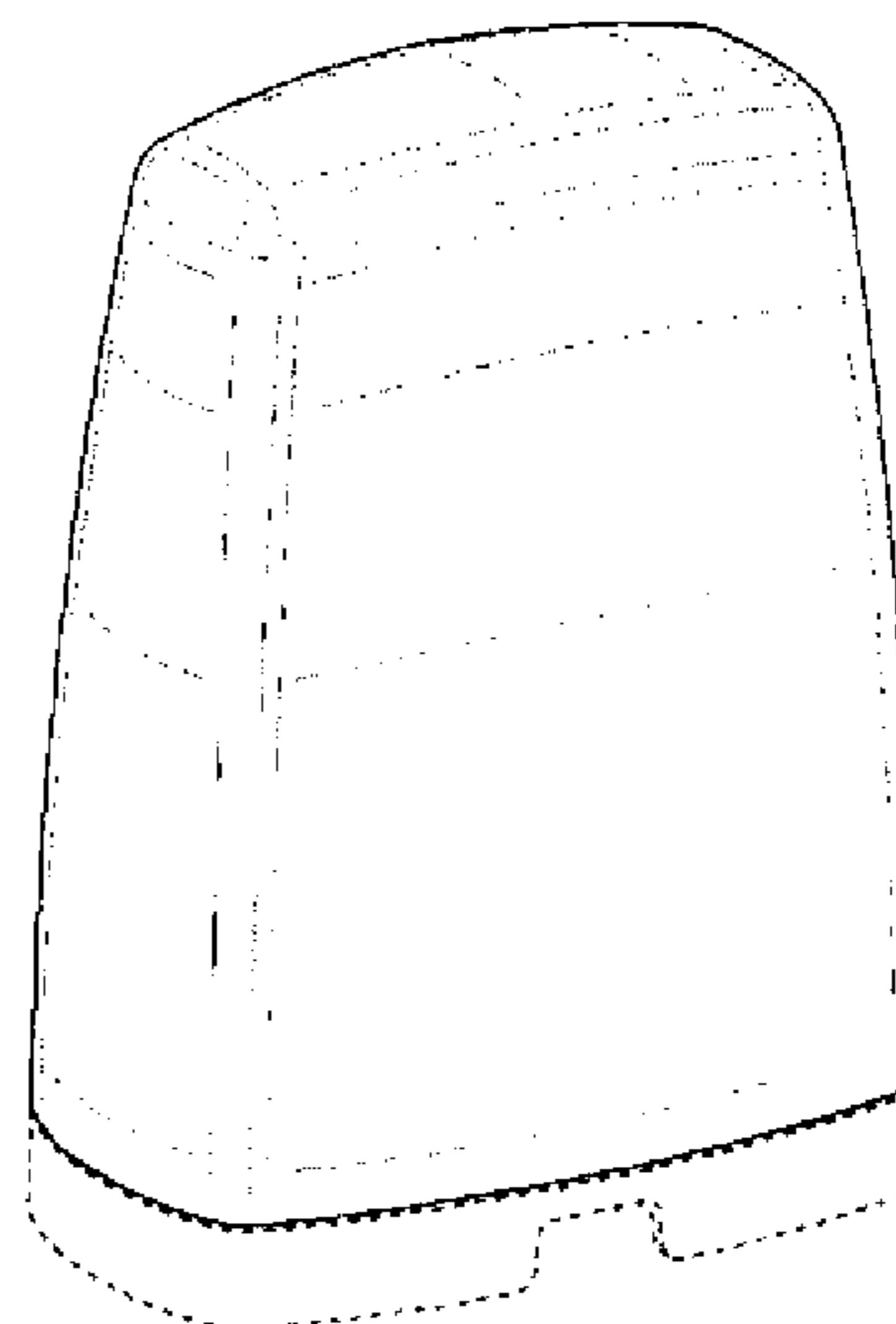
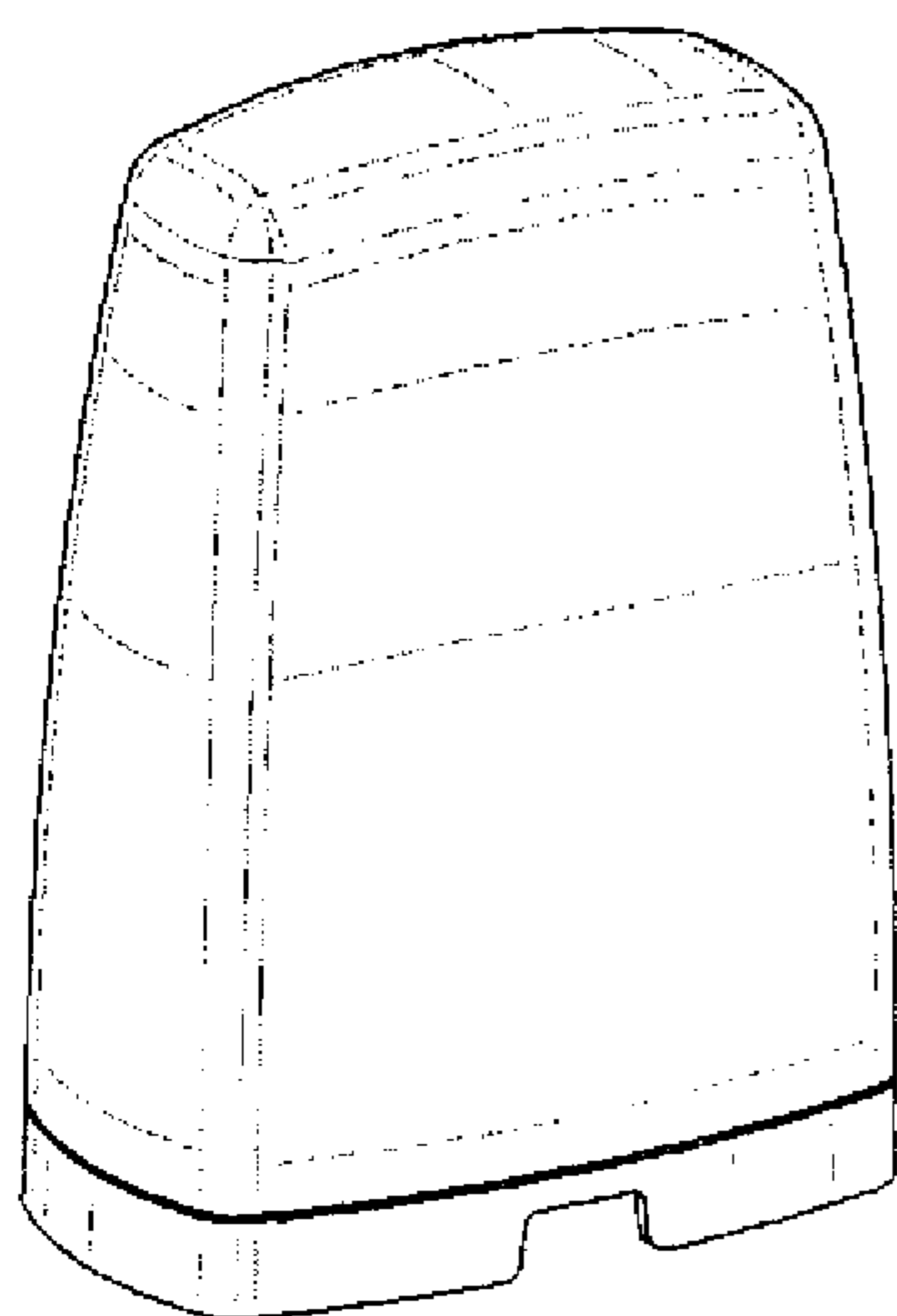
Primary Examiner — Robin V Webster
 (74) *Attorney, Agent, or Firm* — Fulbright & Jaworski L.L.P.

(57) **CLAIM**
 The ornamental design for shroud for liquid-filtration systems, as shown and described.

DESCRIPTION

FIG. 1 is a front perspective view of a first embodiment of my design comprising a shroud for liquid-filtration systems (e.g., a countertop water-filtration system) and a portion of a base of a liquid-filtration system;
 FIGS. 2-3 are front and rear orthogonal views of the first embodiment;
 FIGS. 4-5 are left and right orthogonal views of the first embodiment;
 FIG. 6 is a top orthogonal view of the first embodiment;
 FIG. 7 is a front perspective view of a second embodiment of my design comprising a shroud for liquid-filtration systems, the primary difference between the second embodiment and the first embodiment being that the second embodiment does not include any portion of the base of the exemplary liquid-filtration system;
 FIG. 8-9 are front and rear orthogonal views of the first embodiment;
 FIGS. 10-11 are left and right orthogonal views of the second embodiment; and
 FIG. 12 is a top orthogonal view of the second embodiment. The dashed lines in FIGS. 7-11 represent environmental structure and form no part of the claimed design. Specifically, the environmental structure in FIGS. 7-11 represent a portion of the base of an example of a liquid-filtration system. All other surface(s) or portion(s) of the embodiments of our design not shown in the figures or otherwise described in the specification form no part of the claimed design.

1 Claim, 10 Drawing Sheets



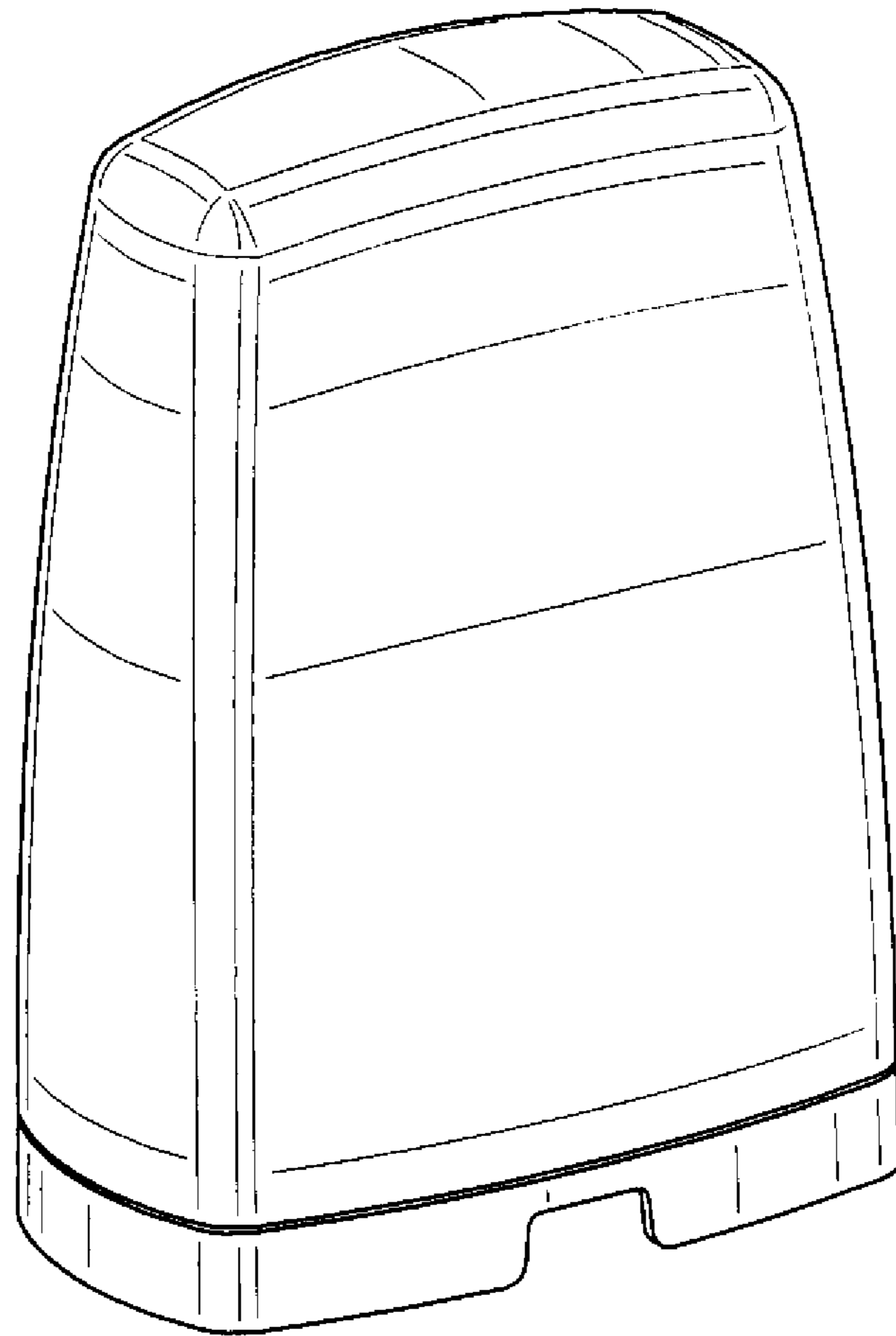


FIG. 1

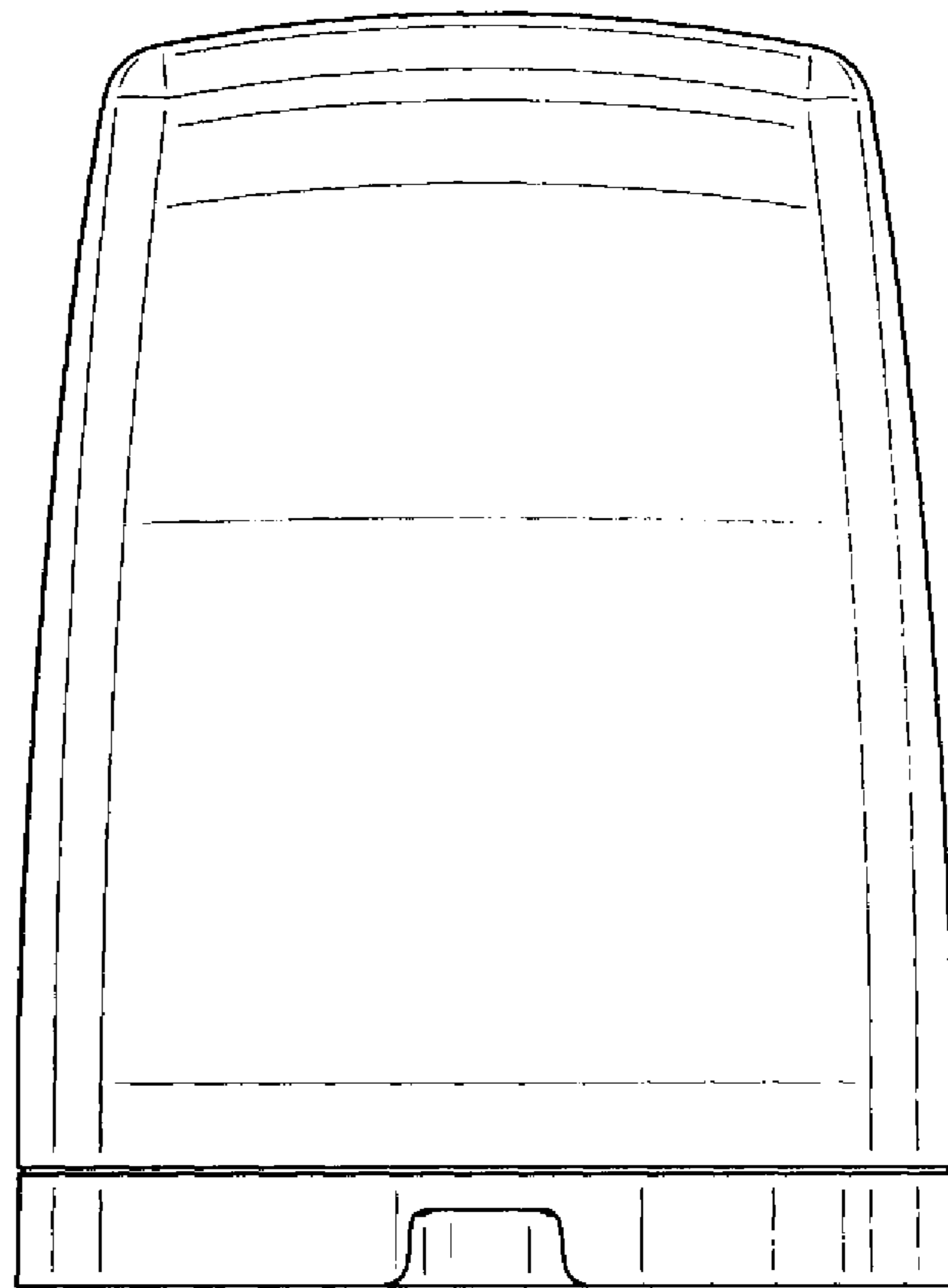


FIG. 2

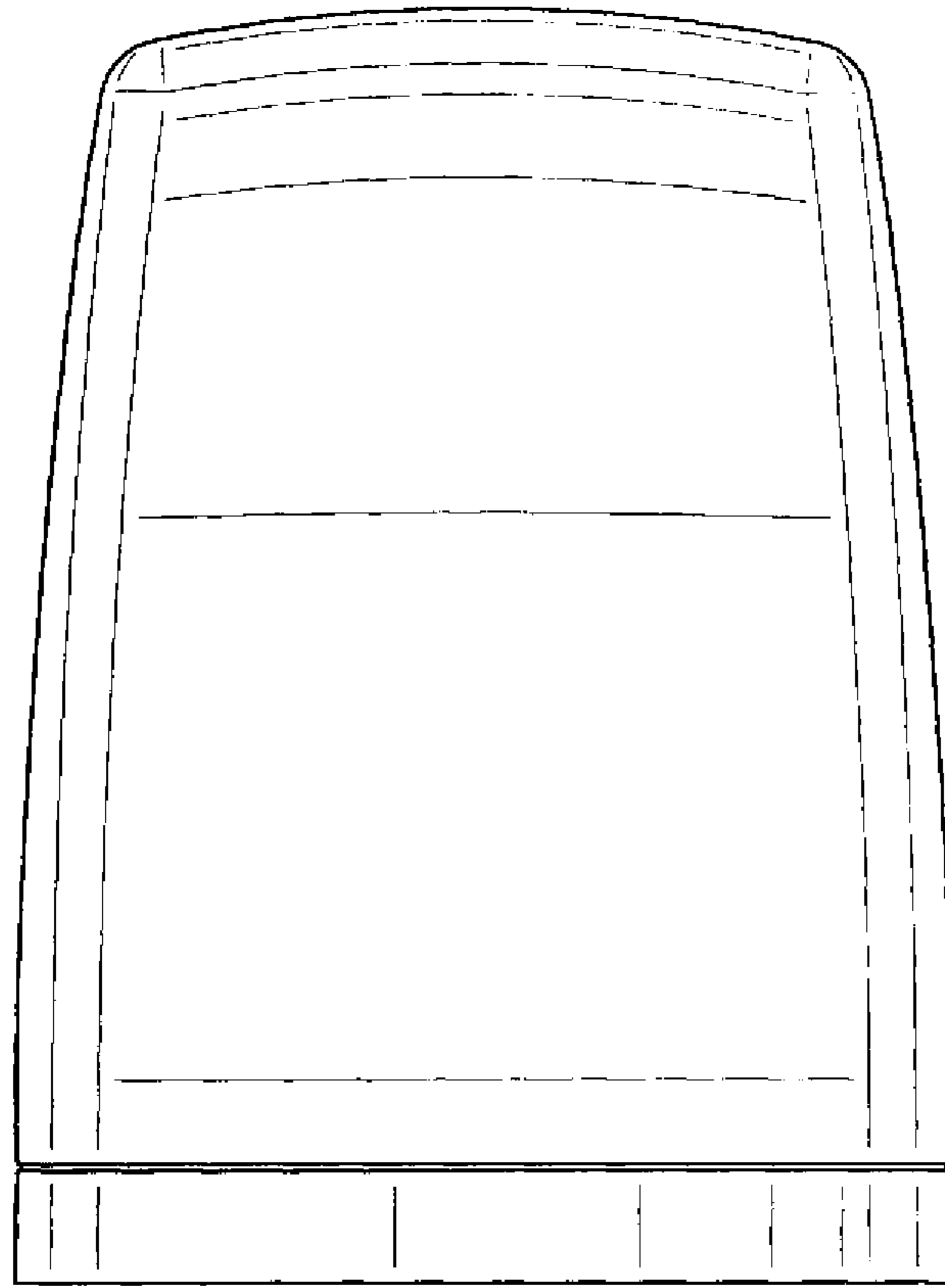


FIG. 3

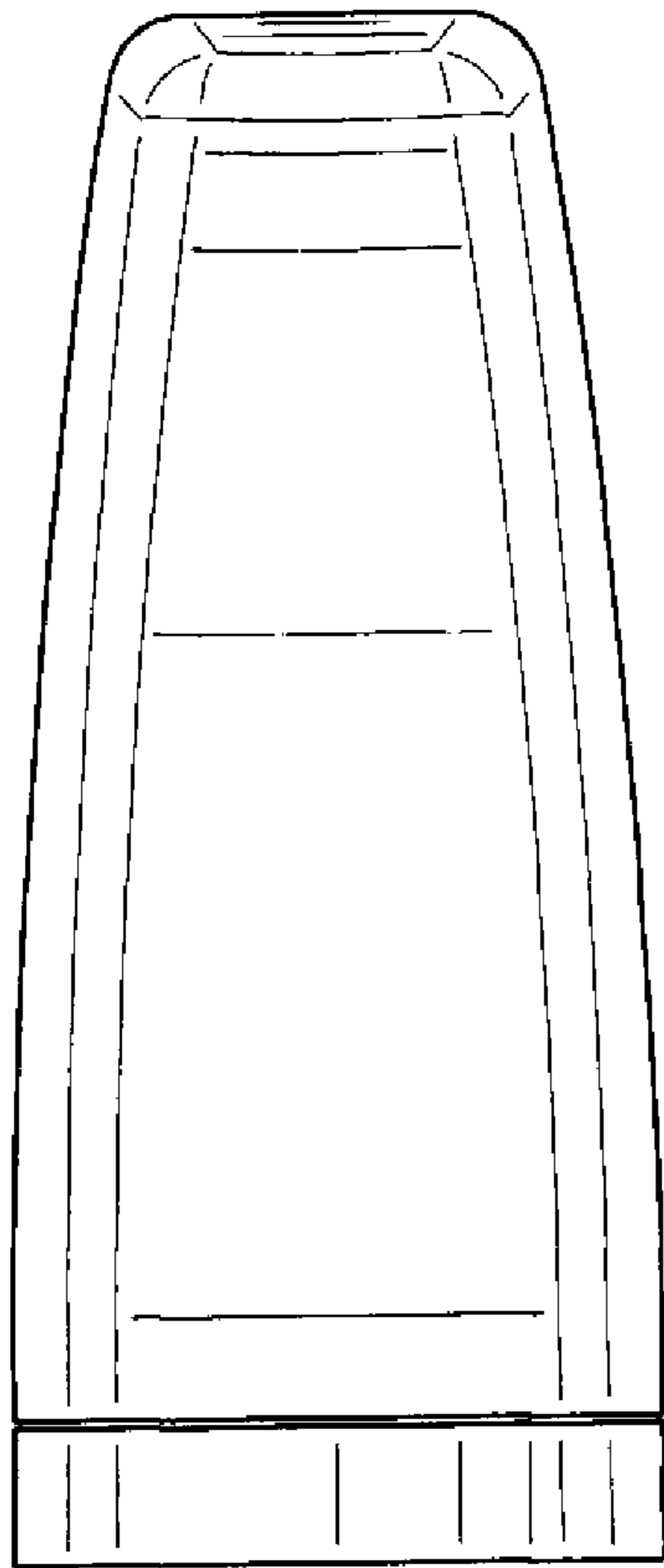


FIG. 4

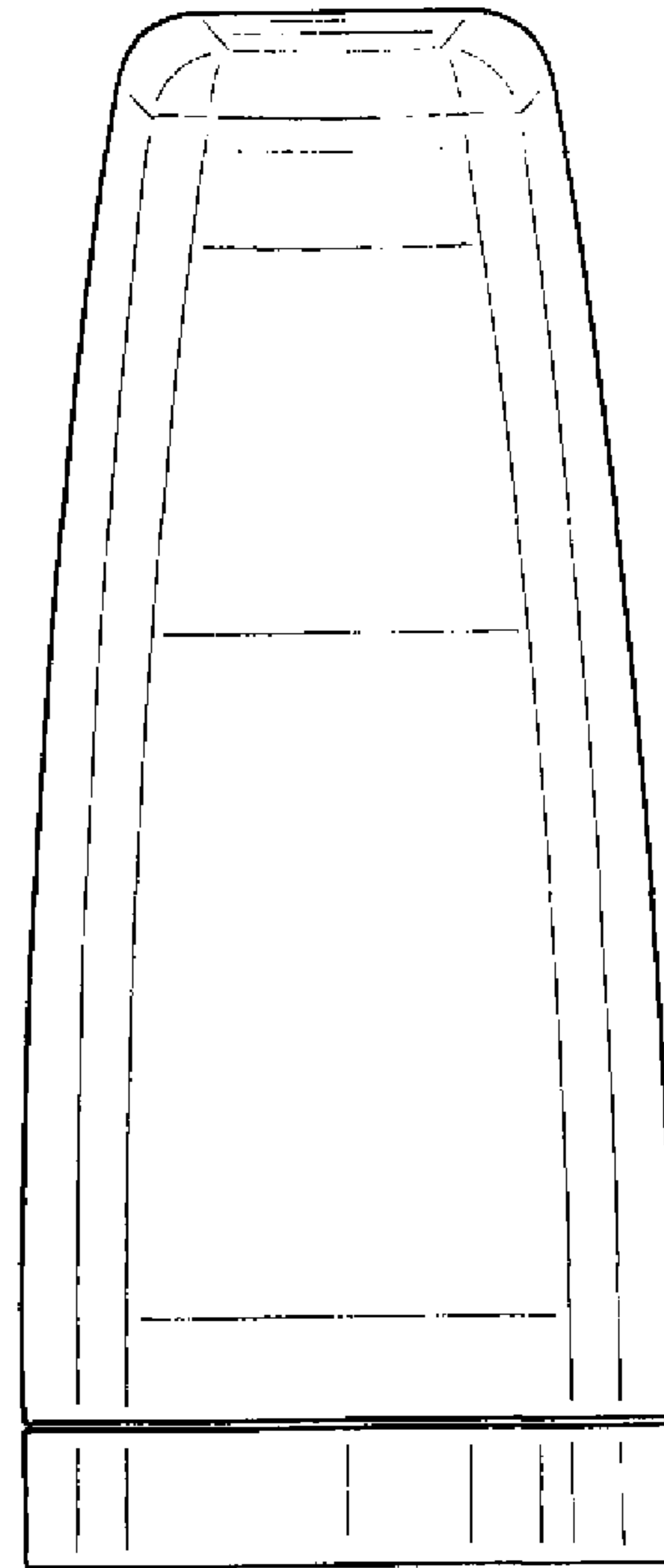


FIG. 5

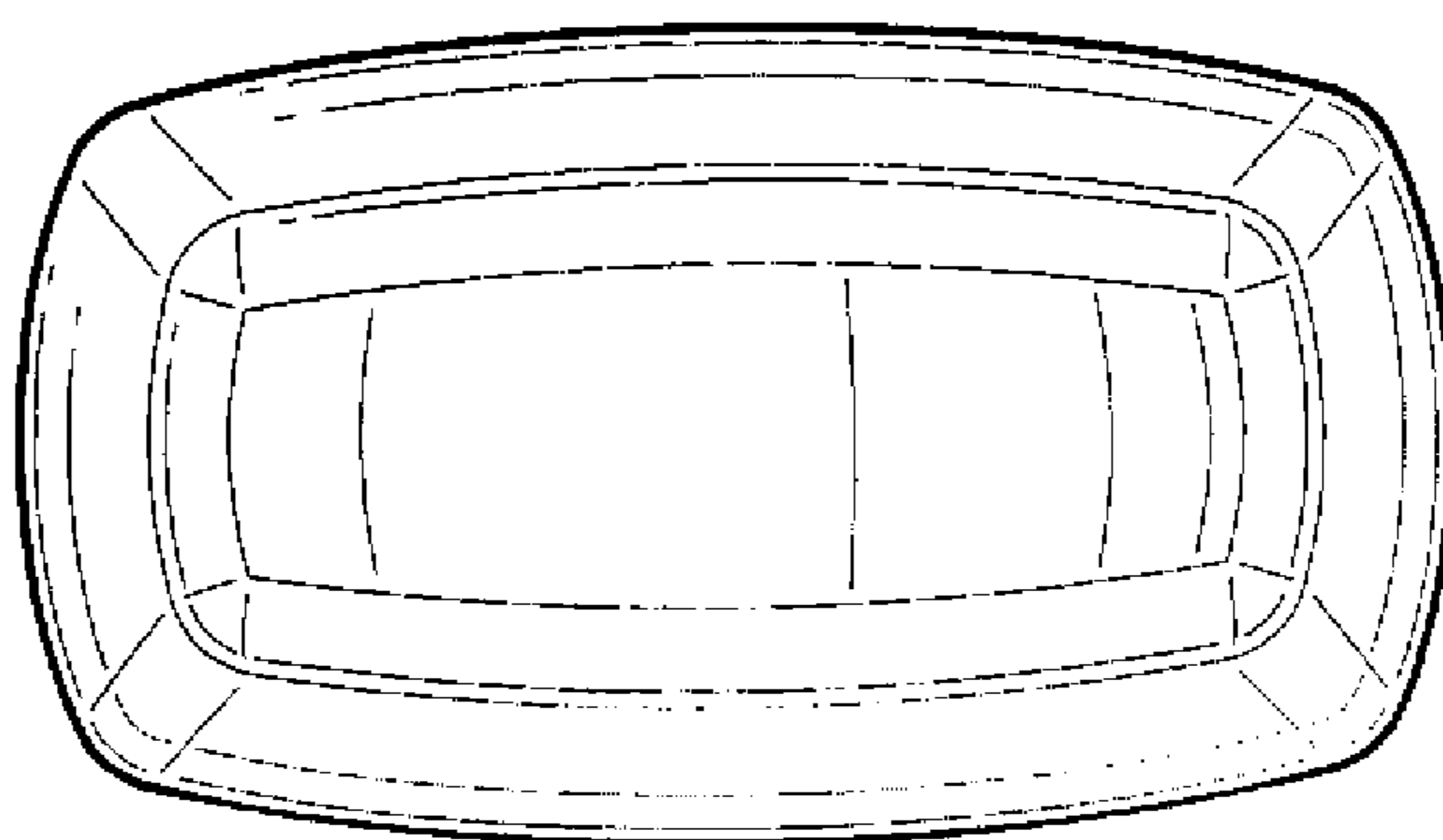


FIG. 6

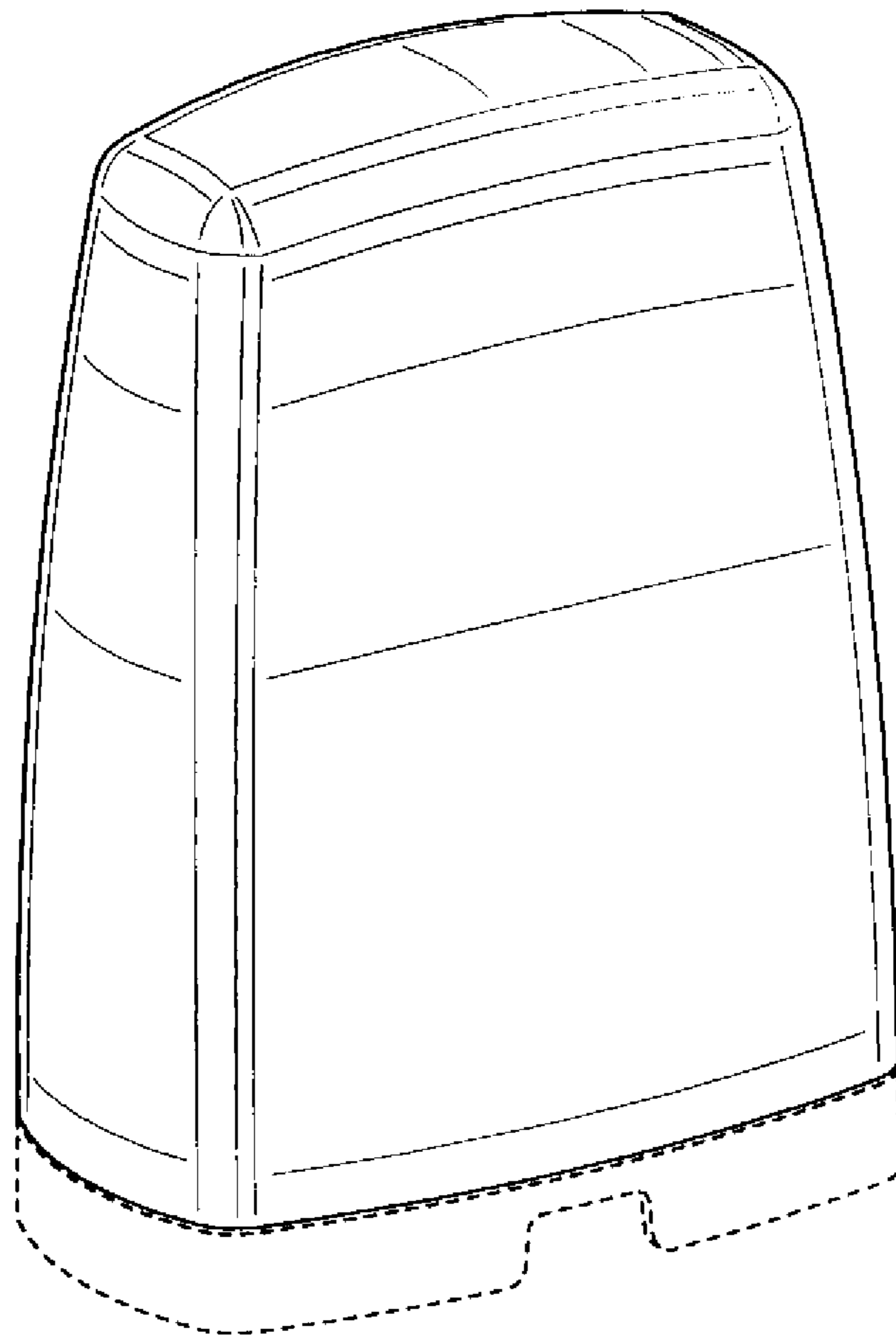


FIG. 7

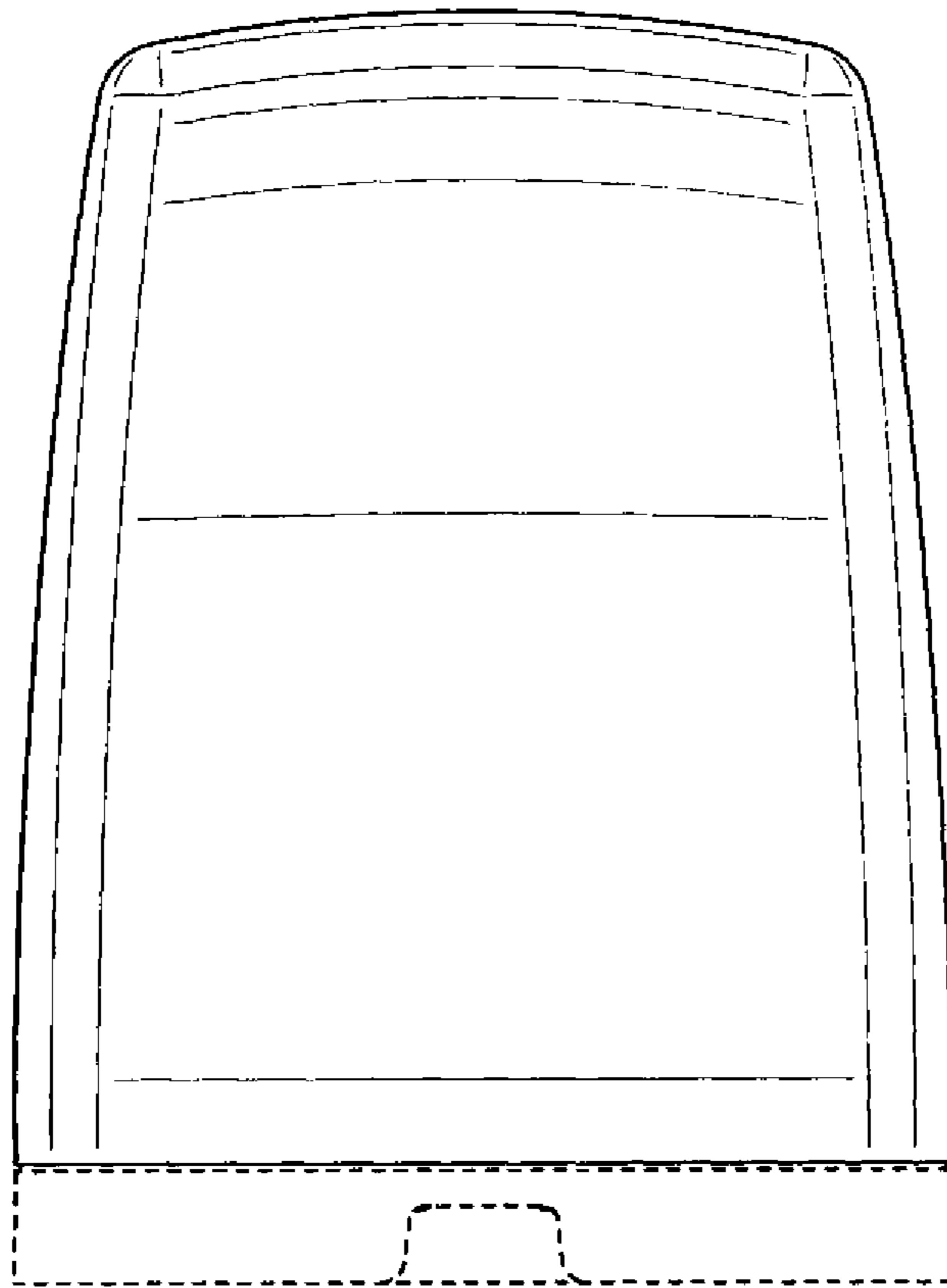


FIG. 8

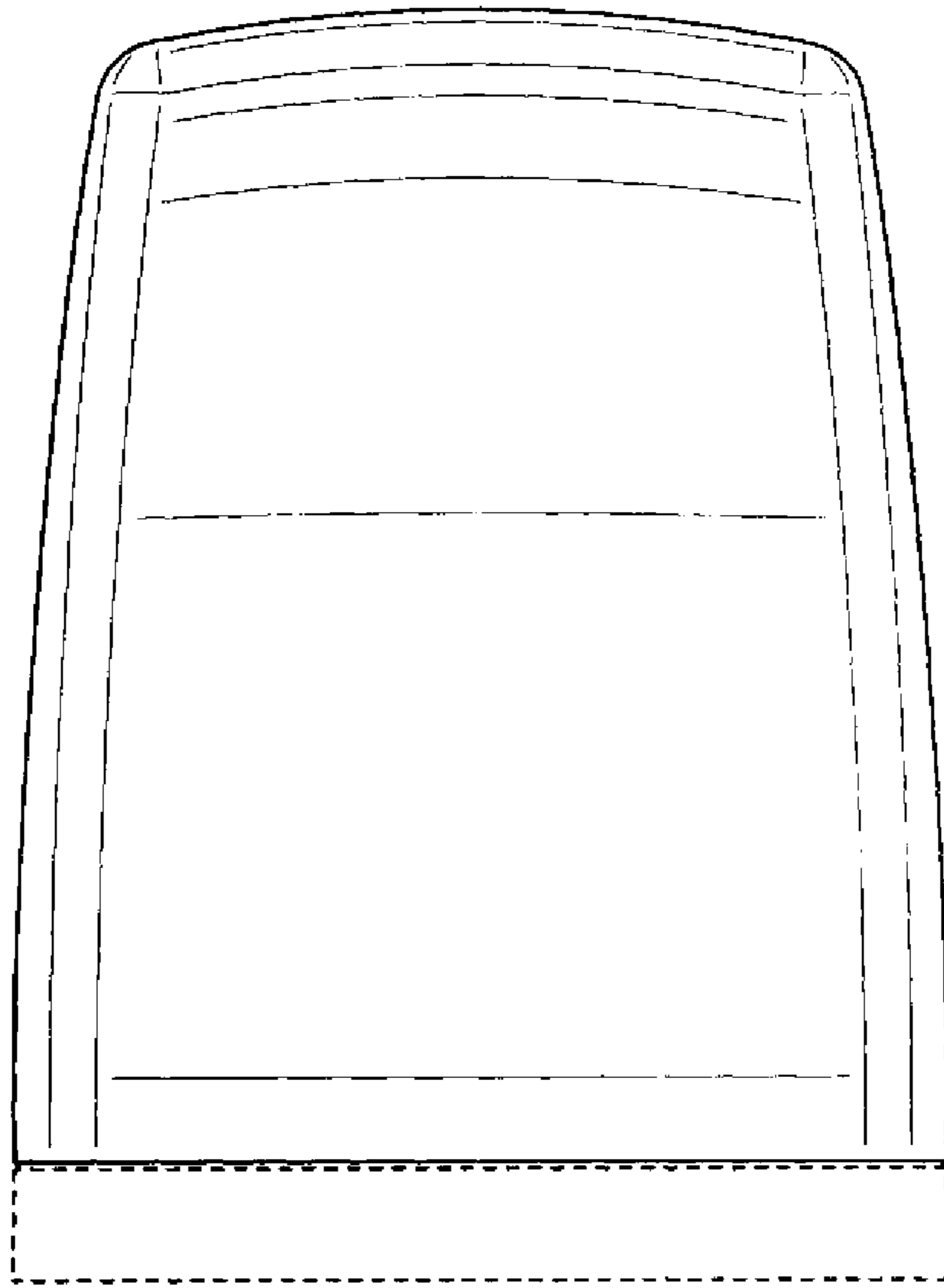


FIG. 9

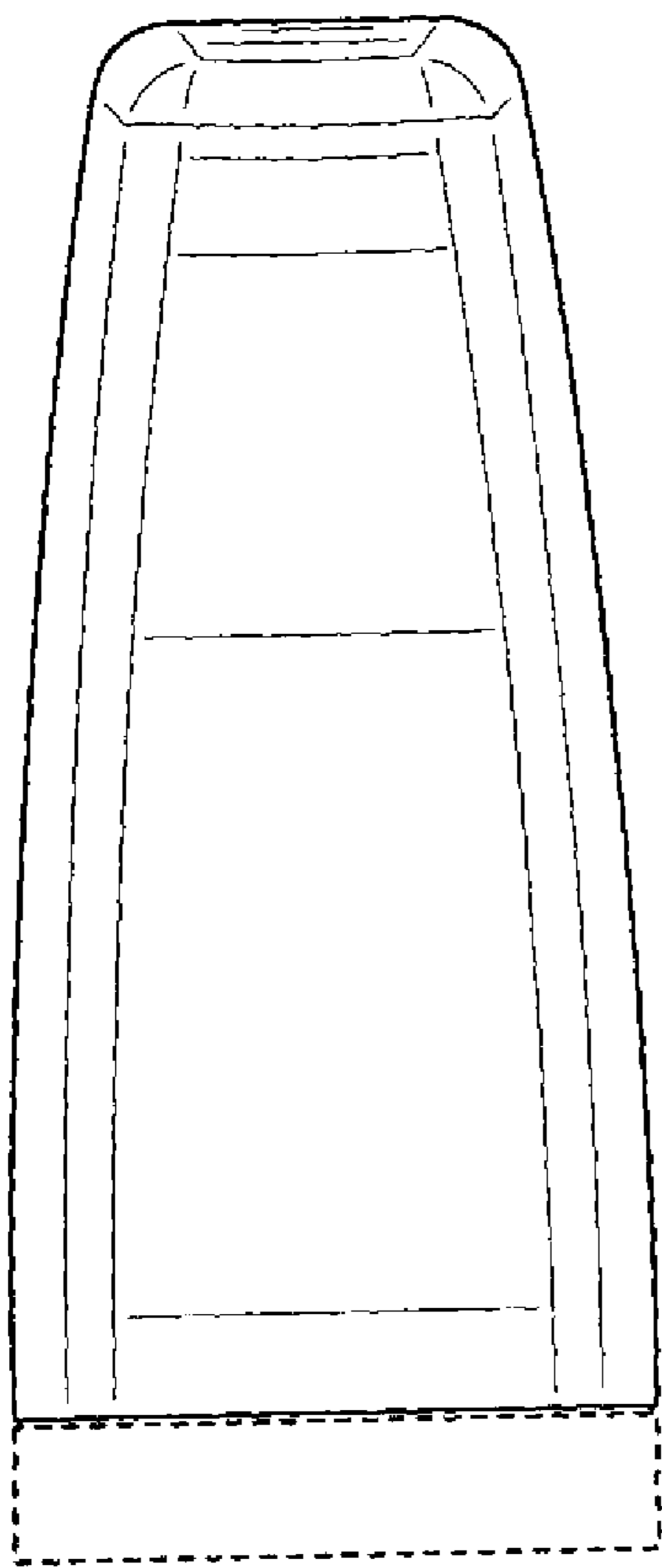


FIG. 10

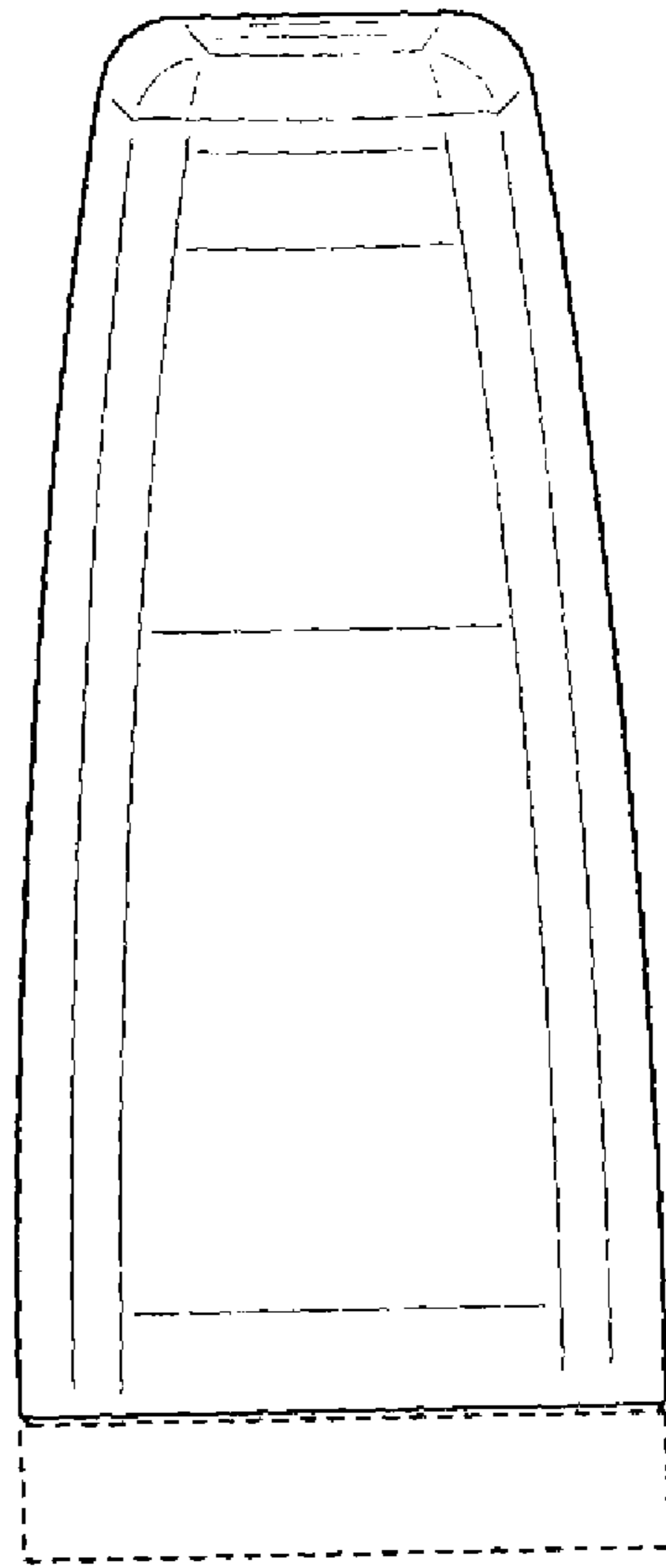


FIG. 11

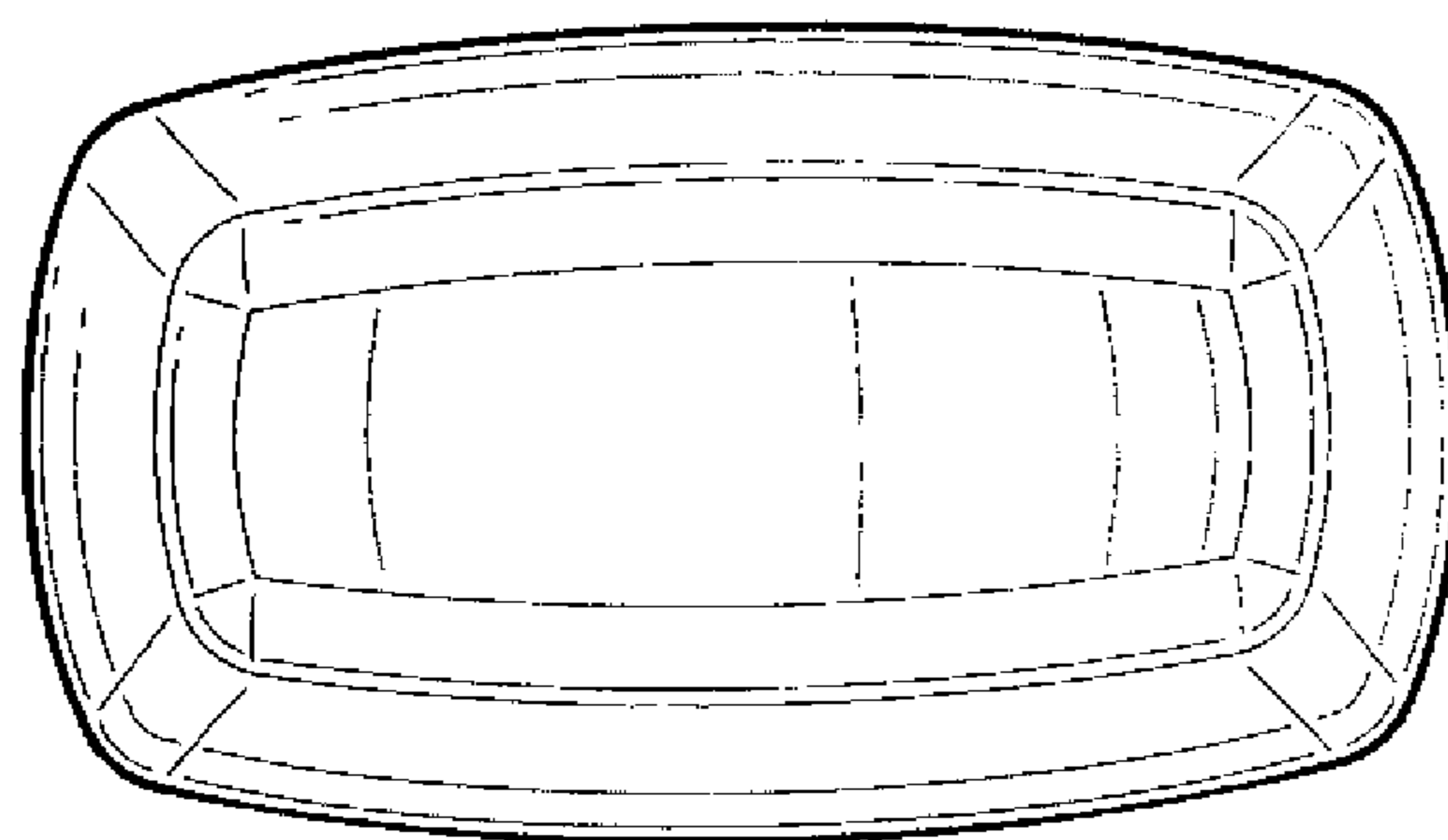


FIG. 12