



US00D680188S

(12) **United States Design Patent**
Pennington

(10) **Patent No.:** **US D680,188 S**

(45) **Date of Patent:** **** Apr. 16, 2013**

(54) **LONG-SPIKED ELECTRODE FOR STUN
DEVICE**

D646,346 S * 10/2011 Rae D22/117
D661,771 S * 6/2012 Nawaz D22/117

* cited by examiner

(76) Inventor: **Billy Pennington**, Little Rock, AR (US)

Primary Examiner — Catheri Oliver-Garcia

(**) Term: **14 Years**

(74) *Attorney, Agent, or Firm* — Joe D. Calhoun; Rashauna A. Norment

(21) Appl. No.: **29/423,713**

(22) Filed: **Jun. 4, 2012**

(57) **CLAIM**

The ornamental design for a long-spiked electrode for a stun device, as shown and described.

(51) **LOC (9) Cl.** **22-02**

(52) **U.S. Cl.**
USPC **D22/117**

DESCRIPTION

(58) **Field of Classification Search** D22/117-120,
D22/199; 224/914; 463/47.2-47.6; 222/78-79,
222/153.03, 153.11, 162, 175, 192; 42/1.08;
89/1.11

FIG. 1 is a perspective view of a long-spiked electrode for a stun device, with environmental structure shown in broken lines.

FIG. 2 is a top plan view.

FIG. 3 is a first side elevation view; and,

FIG. 4 is a second side elevation view.

See application file for complete search history.

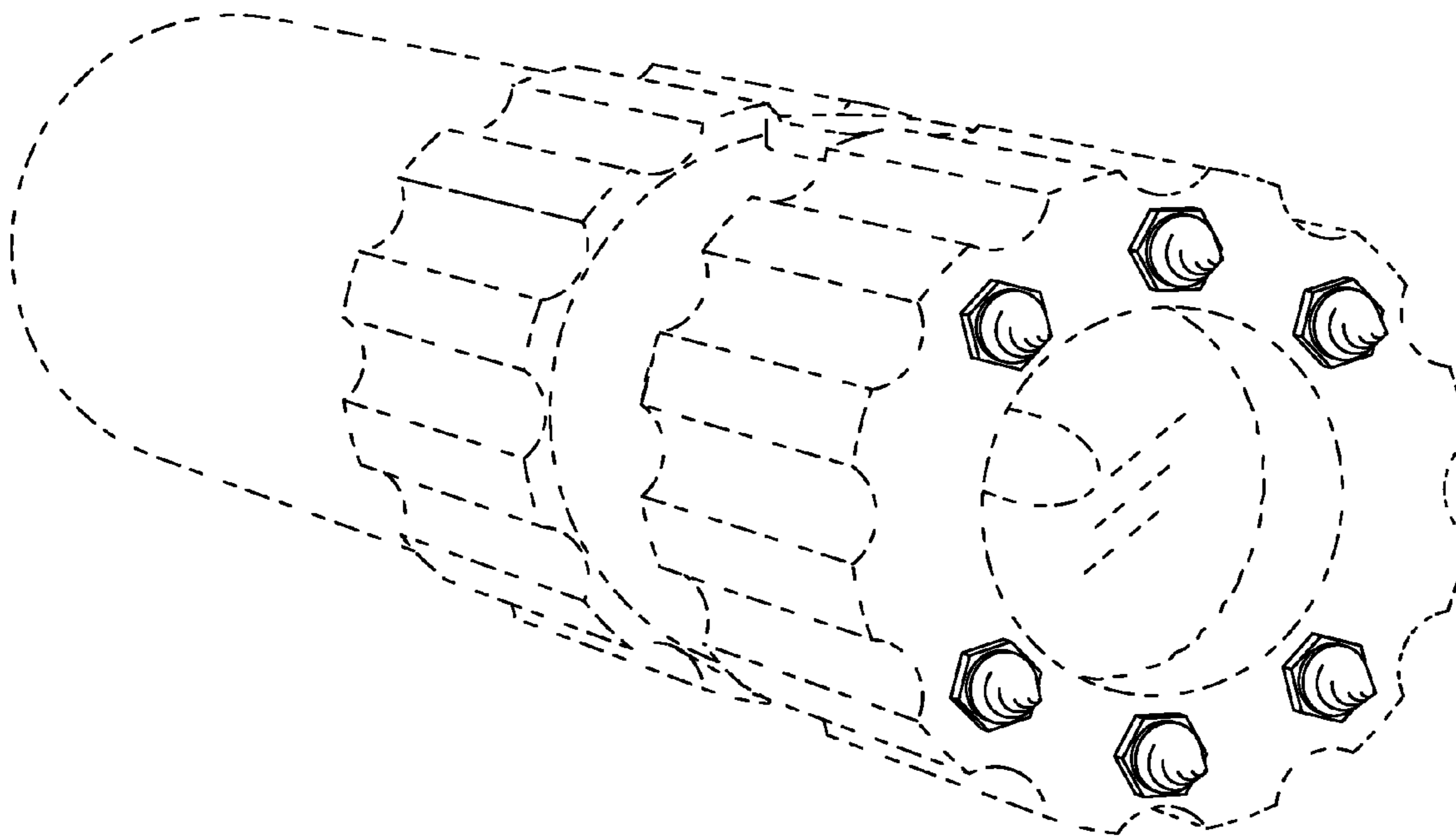
The broken line showing of the environmental structure is for illustrative purposes only and forms no part of the claimed design.

(56) **References Cited**

U.S. PATENT DOCUMENTS

D552,207 S * 10/2007 Rhee et al. D22/117
D611,115 S * 3/2010 Pennington D22/117

1 Claim, 2 Drawing Sheets



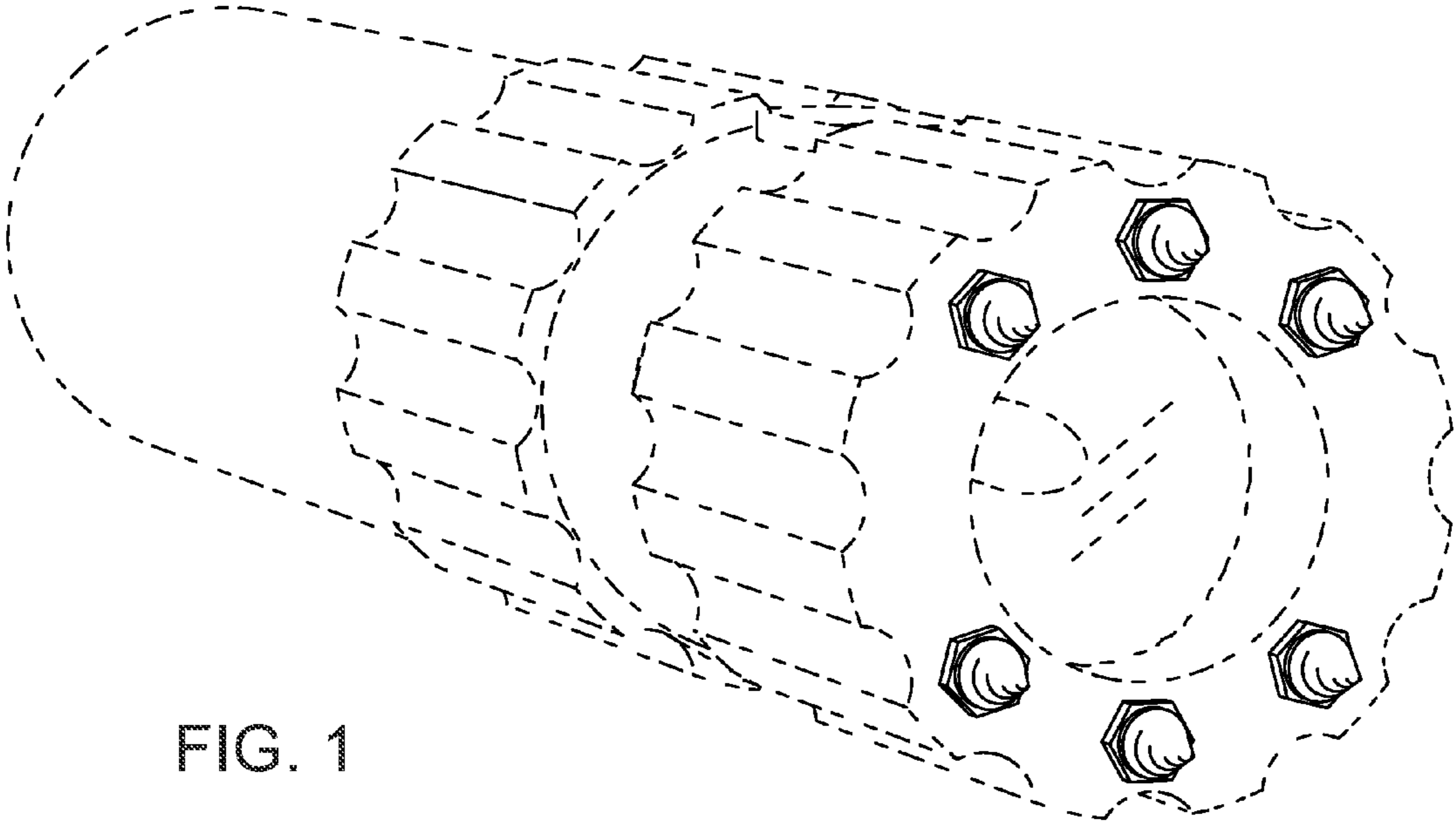


FIG. 1

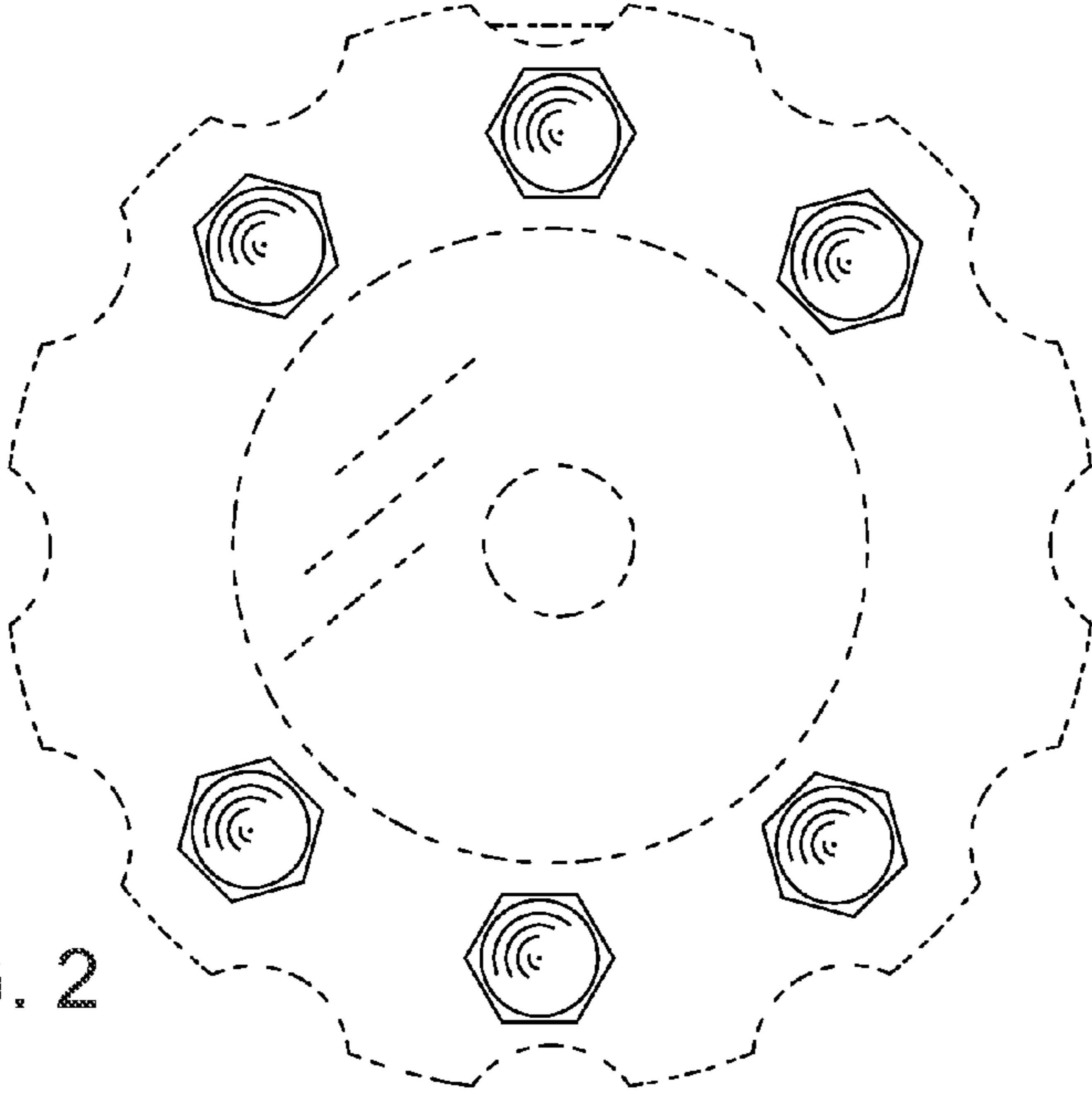


FIG. 2

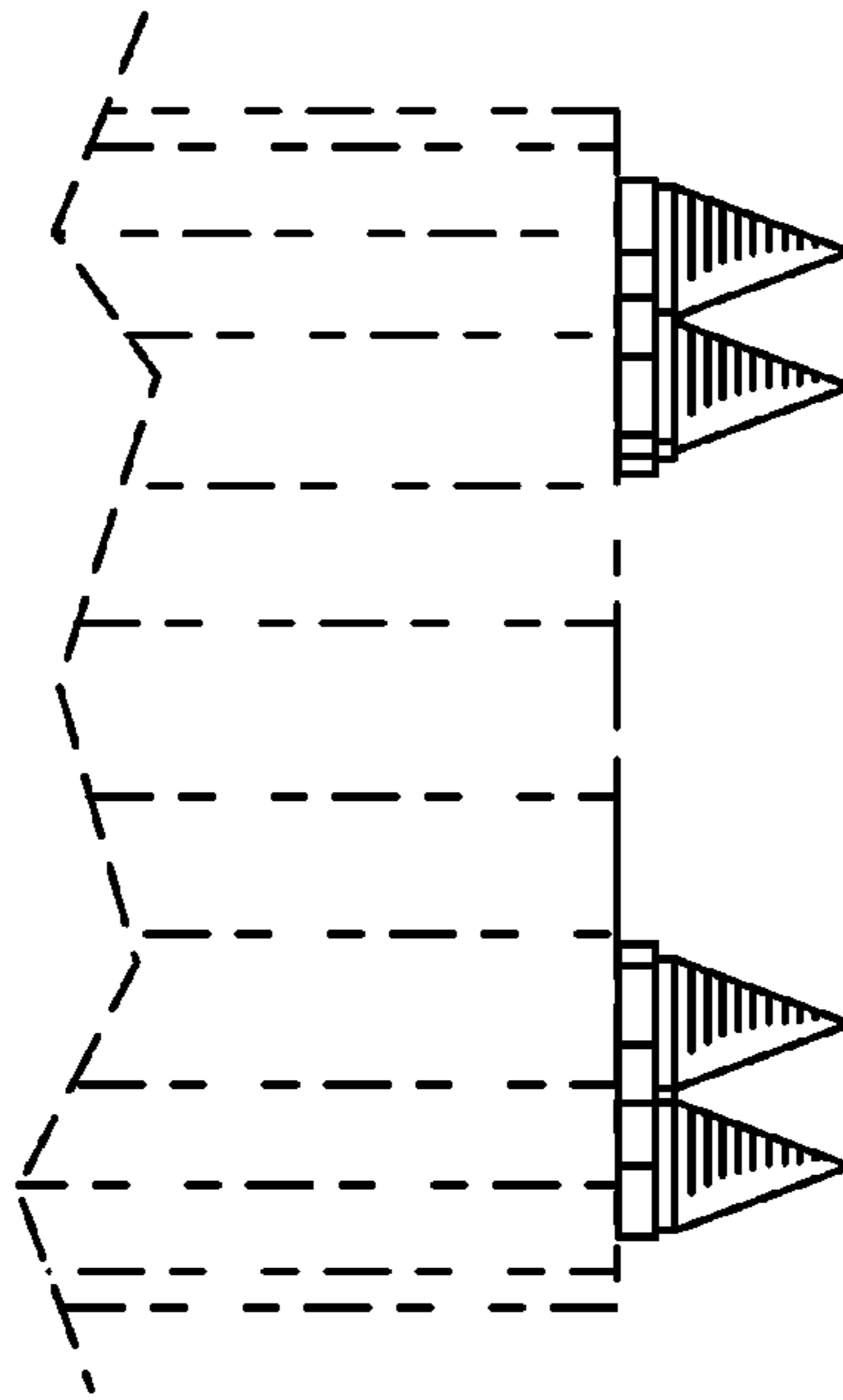


FIG. 3

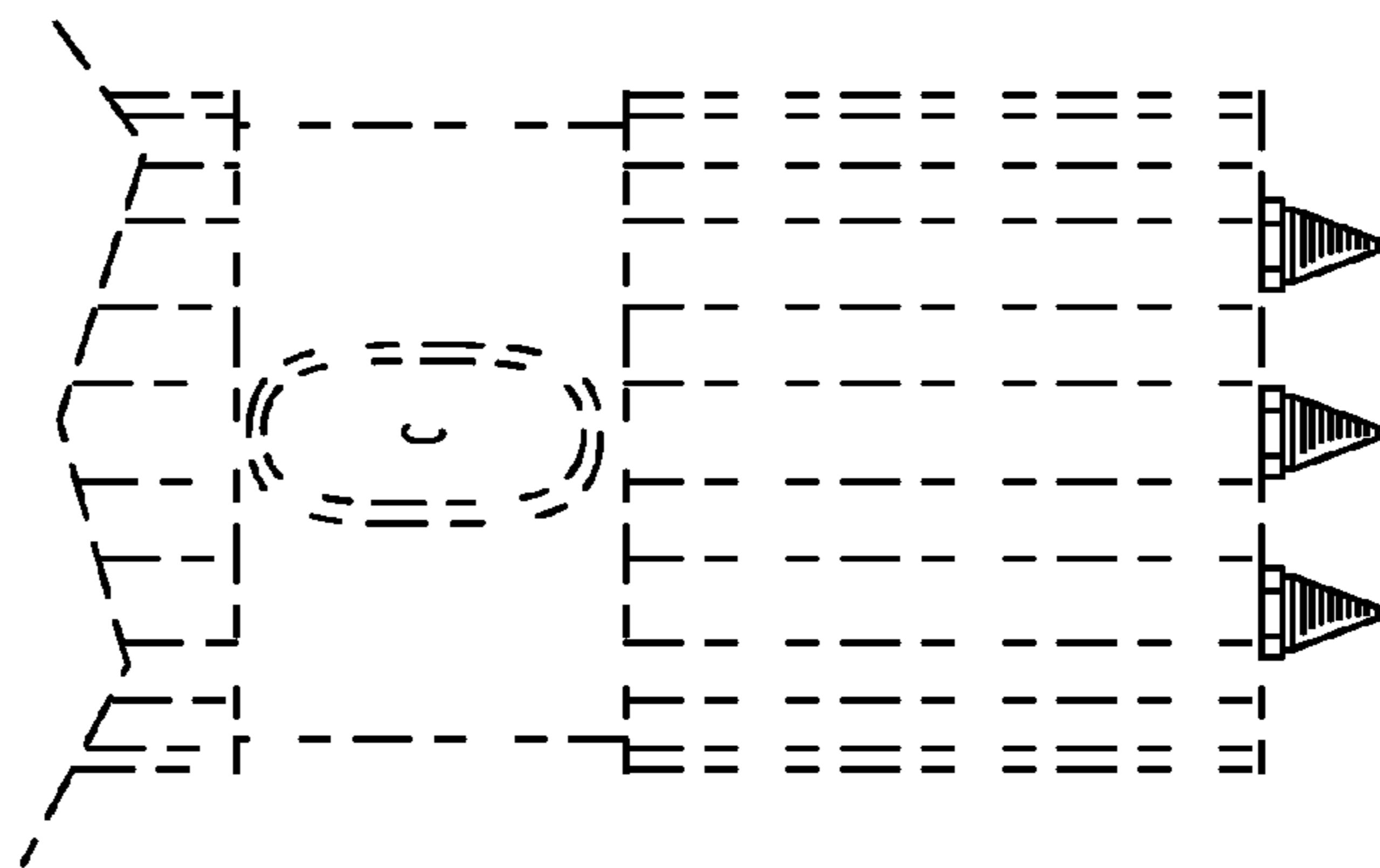


FIG. 4