



US00D680186S

(12) **United States Design Patent**
Fesas

(10) **Patent No.:** **US D680,186 S**
(45) **Date of Patent:** **** Apr. 16, 2013**

(54) **FIREARM RECEIVER COVER HAVING AN ACCESSORY MOUNT**

DESCRIPTION

(76) Inventor: **Nelson A. Fesas**, Austin, TX (US)

(**) Term: **14 Years**

(21) Appl. No.: **29/405,164**

(22) Filed: **Oct. 28, 2011**

(51) **LOC (9) Cl.** **22-01**

(52) **U.S. Cl.**
USPC **D22/108**

(58) **Field of Classification Search** D22/100,
D22/108-110, 199; 42/11, 72, 90, 85, 71.01,
42/75.02, 106, 113-114, 124-125, 127-128;
248/201, 205.1

See application file for complete search history.

(56) **References Cited**

U.S. PATENT DOCUMENTS

7,261,029	B1 *	8/2007	Davis	89/148
D654,134	S *	2/2012	Edge et al.	D22/108
D654,135	S *	2/2012	Edge et al.	D22/108
8,117,954	B1 *	2/2012	Davis	89/1.4
8,266,998	B1 *	9/2012	Davis	89/1.4
2007/0271834	A1 *	11/2007	Keng	42/124
2012/0102804	A1 *	5/2012	Fesas	42/90
2012/0198990	A1 *	8/2012	Brittin	89/191.01

* cited by examiner

Primary Examiner — Michael A Pratt

(74) *Attorney, Agent, or Firm* — Gregory K. Goshorn; Greg Goshorn, P.C.

(57) **CLAIM**

We claim the design for a firearm receiver cover having an accessory mount, as shown and described in the following figures.

FIG. 1 is a front view of a disclosed firearm receiver cover having an accessory mount.

FIG. 2 is a back view of the disclosed firearm receiver cover having an accessory mount of FIG. 1.

FIG. 3 is a view from the left of the disclosed firearm receiver cover having an accessory mount of FIG. 1.

FIG. 4 is a view from the right of the disclosed firearm receiver cover having an accessory mount of FIG. 1.

FIG. 5 is a view of the top of the disclosed firearm receiver cover having an accessory mount of FIG. 1.

FIG. 6 is a view of the bottom of the disclosed firearm receiver cover having an accessory mount of FIG. 1.

FIG. 7 is an oblique view from the top left of the disclosed firearm receiver cover having an accessory mount of FIG. 1.

FIG. 8 is an oblique view from the top right of the disclosed firearm receiver cover having an accessory mount of FIG. 1.

FIG. 9 is an oblique view from the bottom left of the disclosed firearm receiver cover having an accessory mount of FIG. 1; and,

FIG. 10 is an oblique top right view of an AK47 firearm with the disclosed firearm receiver cover having an accessory mount of FIG. 1 installed. The AK 47 firearm is not part of the disclosed design.

The claimed design is indicated by the relatively dark portions in the FIG. 10, while the relatively light portions in FIG. 10 are environmental and form no part of the claimed design. Broken lines are for the sole purpose of illustrating the environment of the article only and form no part of the claimed design.

1 Claim, 10 Drawing Sheets

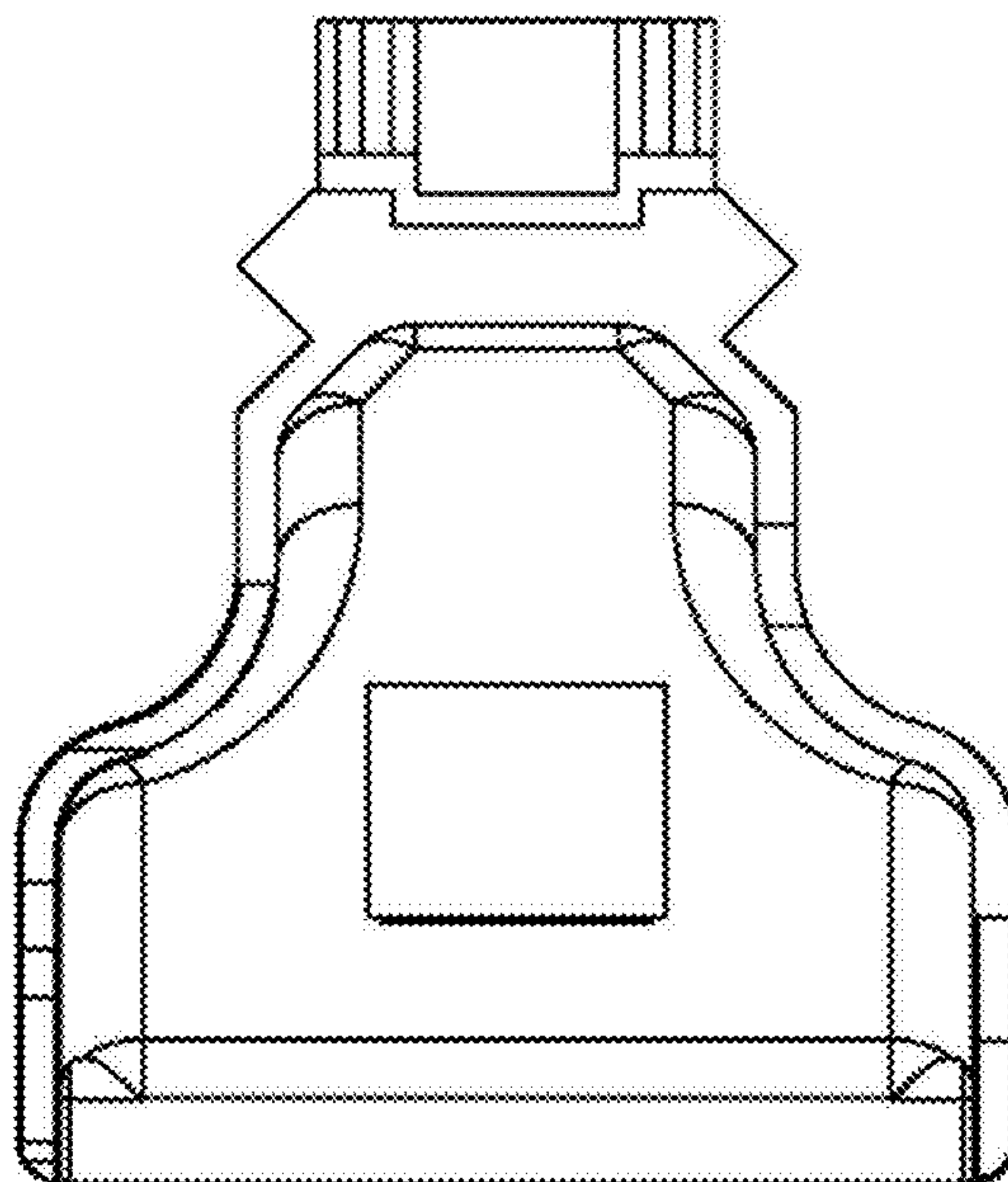


Figure 1

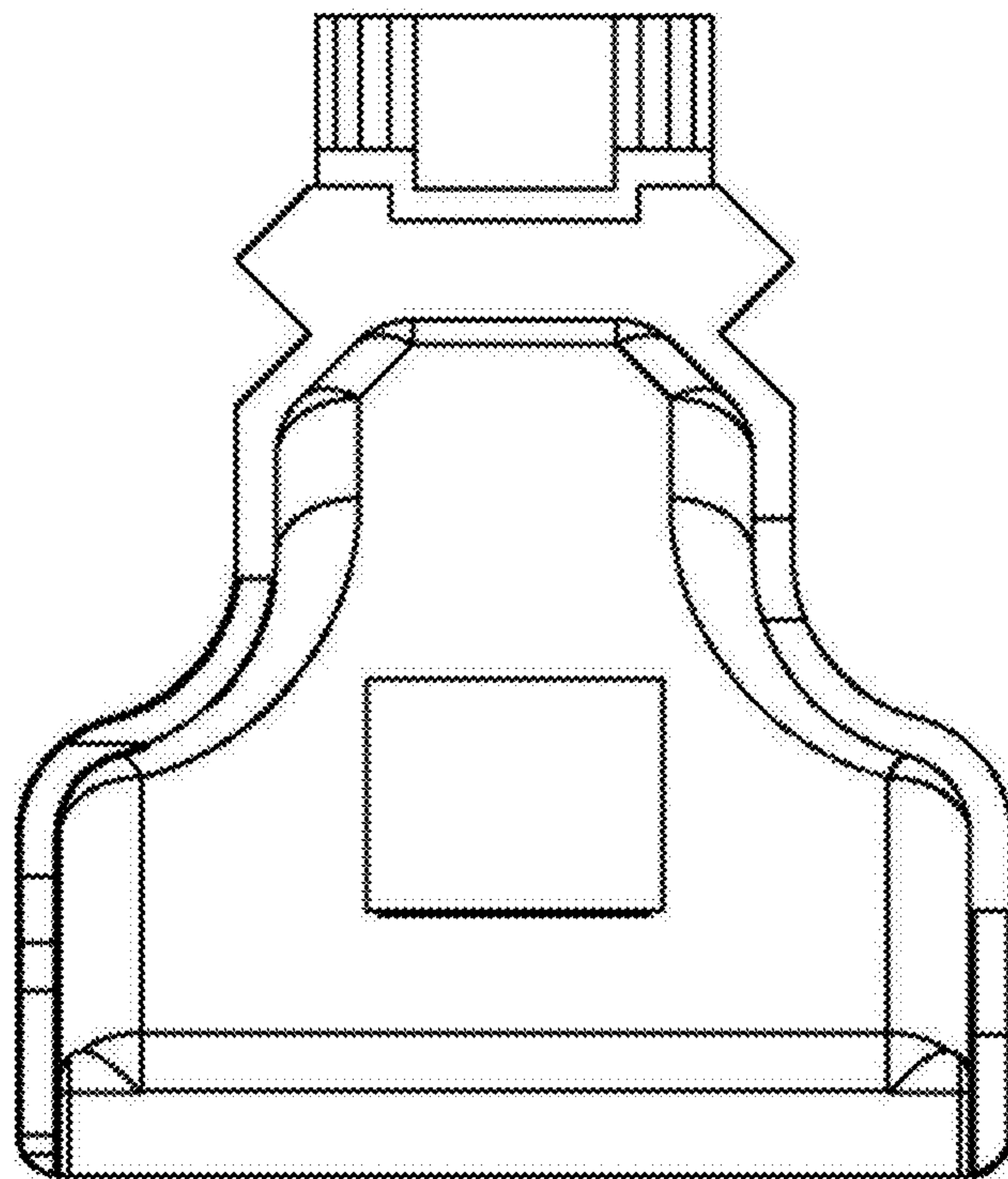


Figure 2

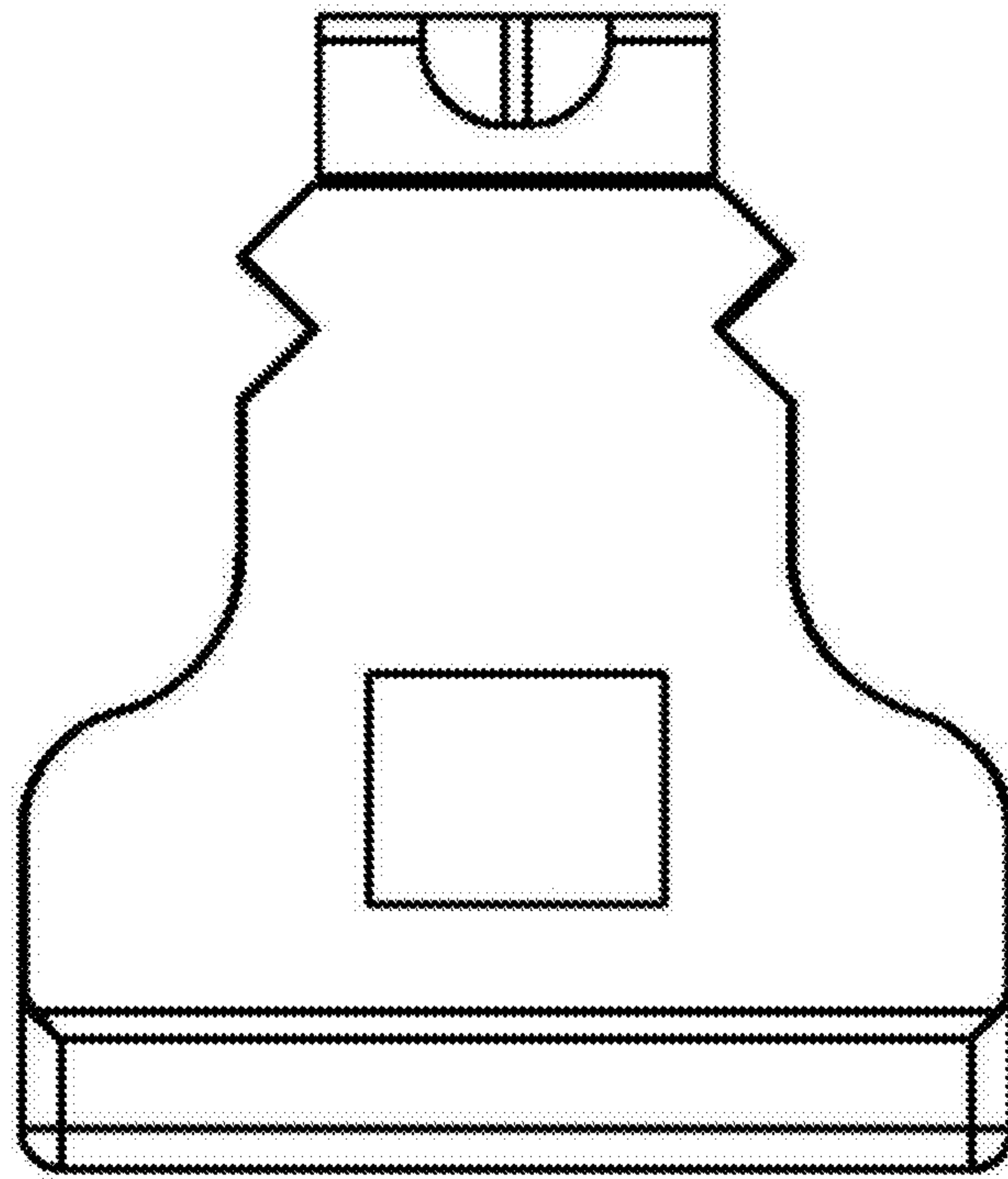
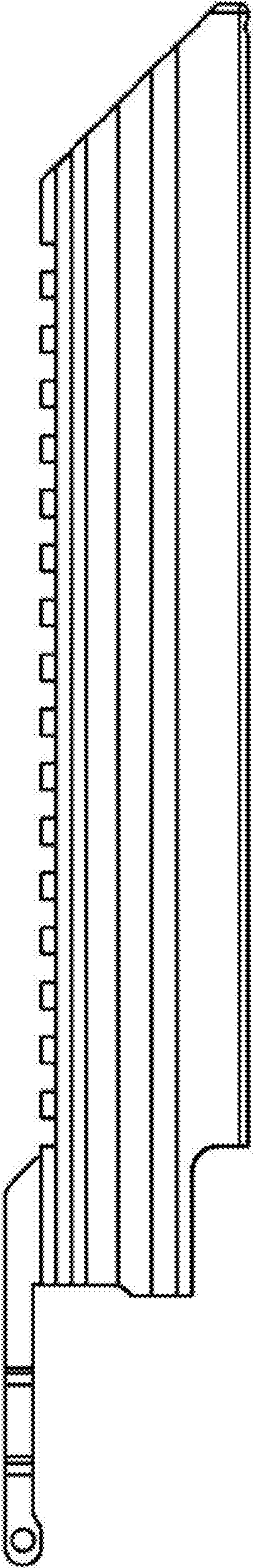


Figure 3



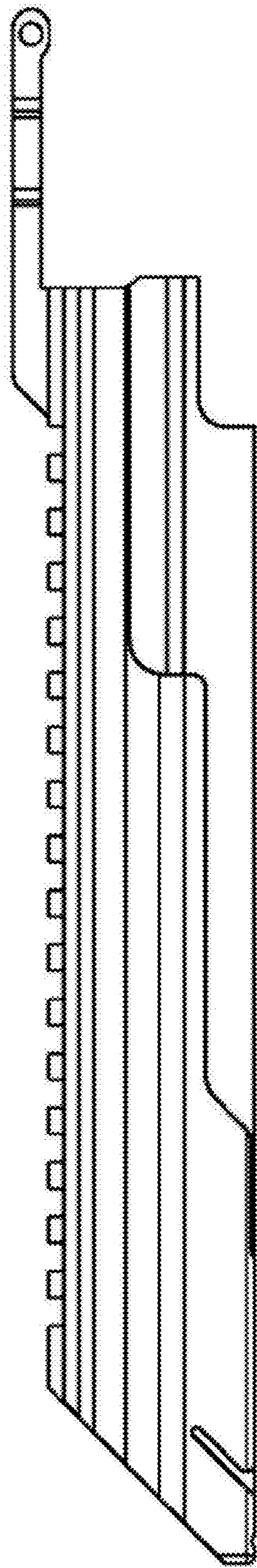


Figure 4

Figure 5

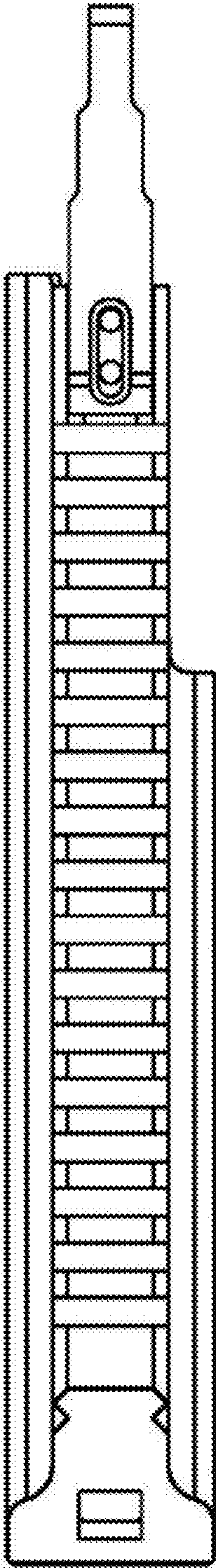
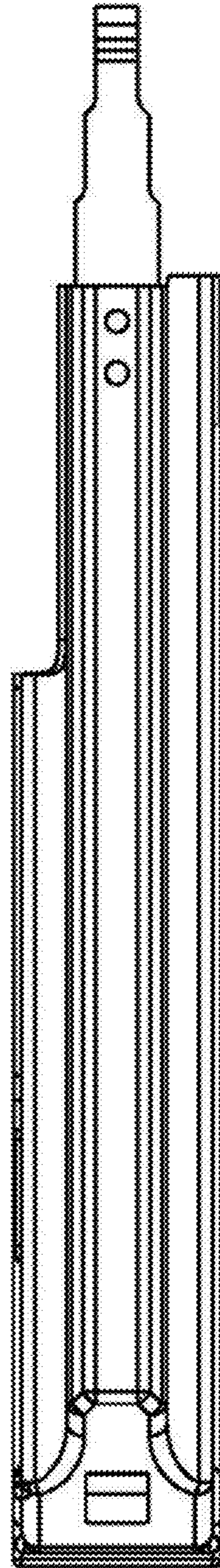


Figure 6



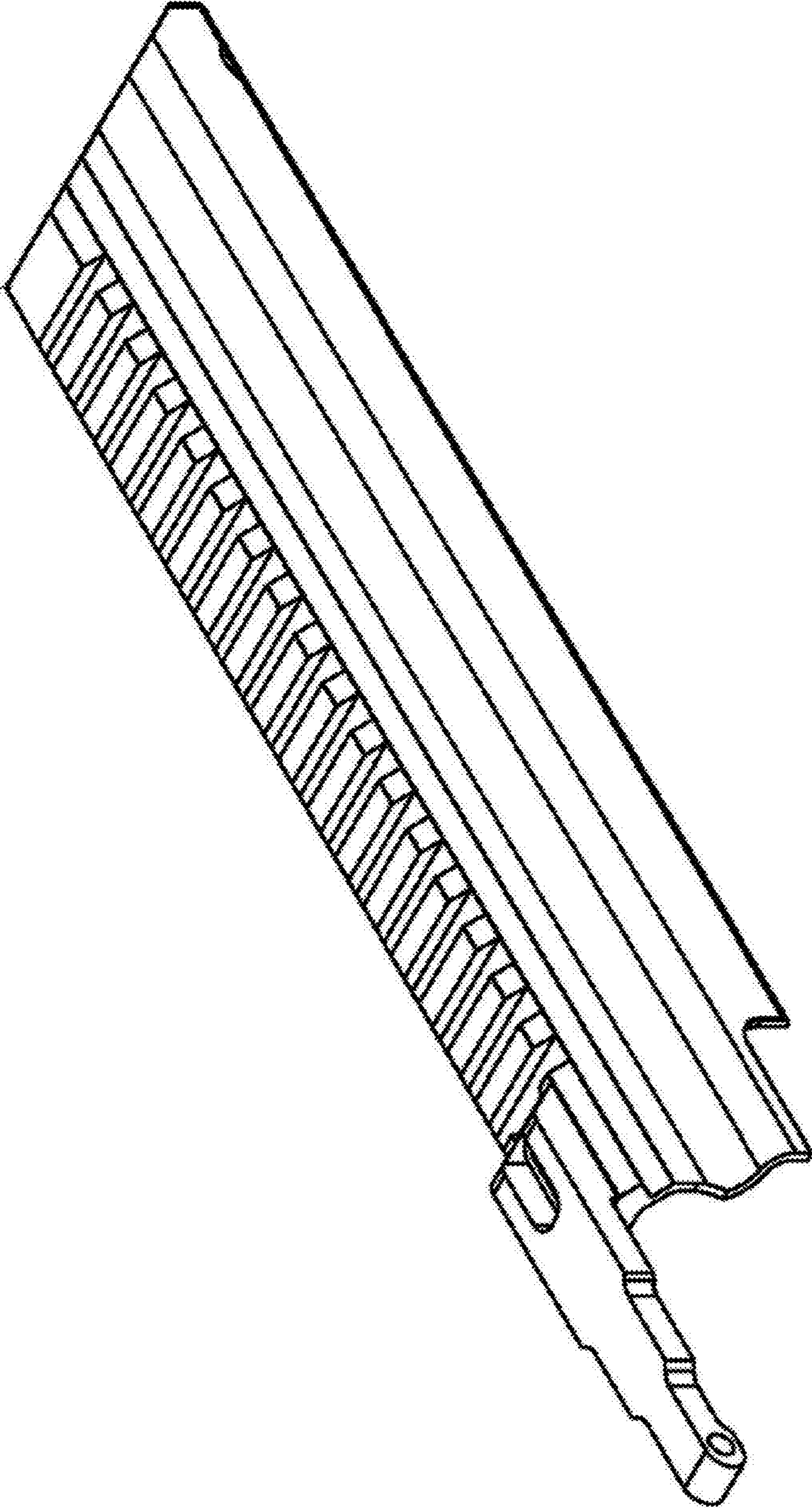


Figure 7

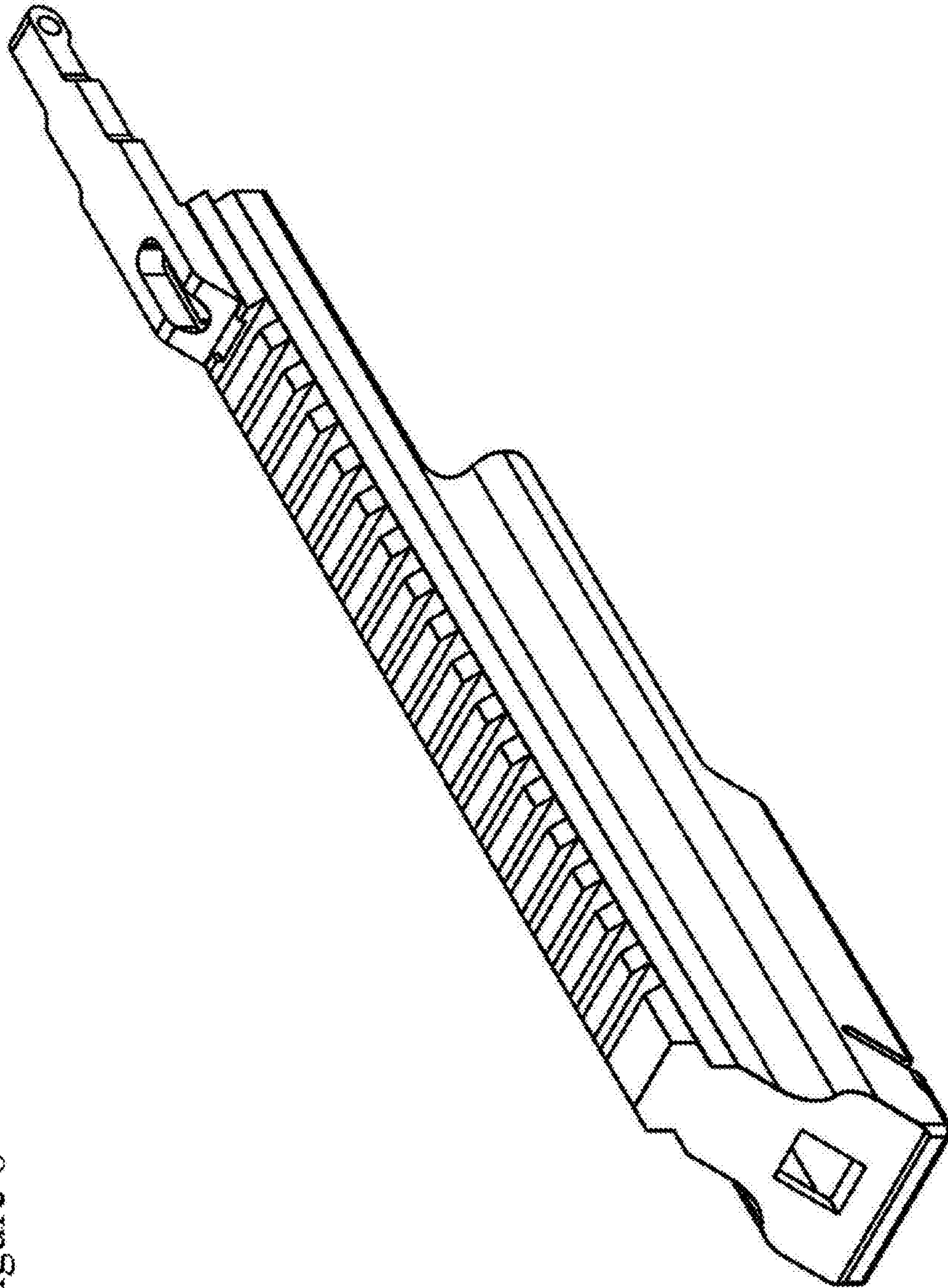


Figure 8

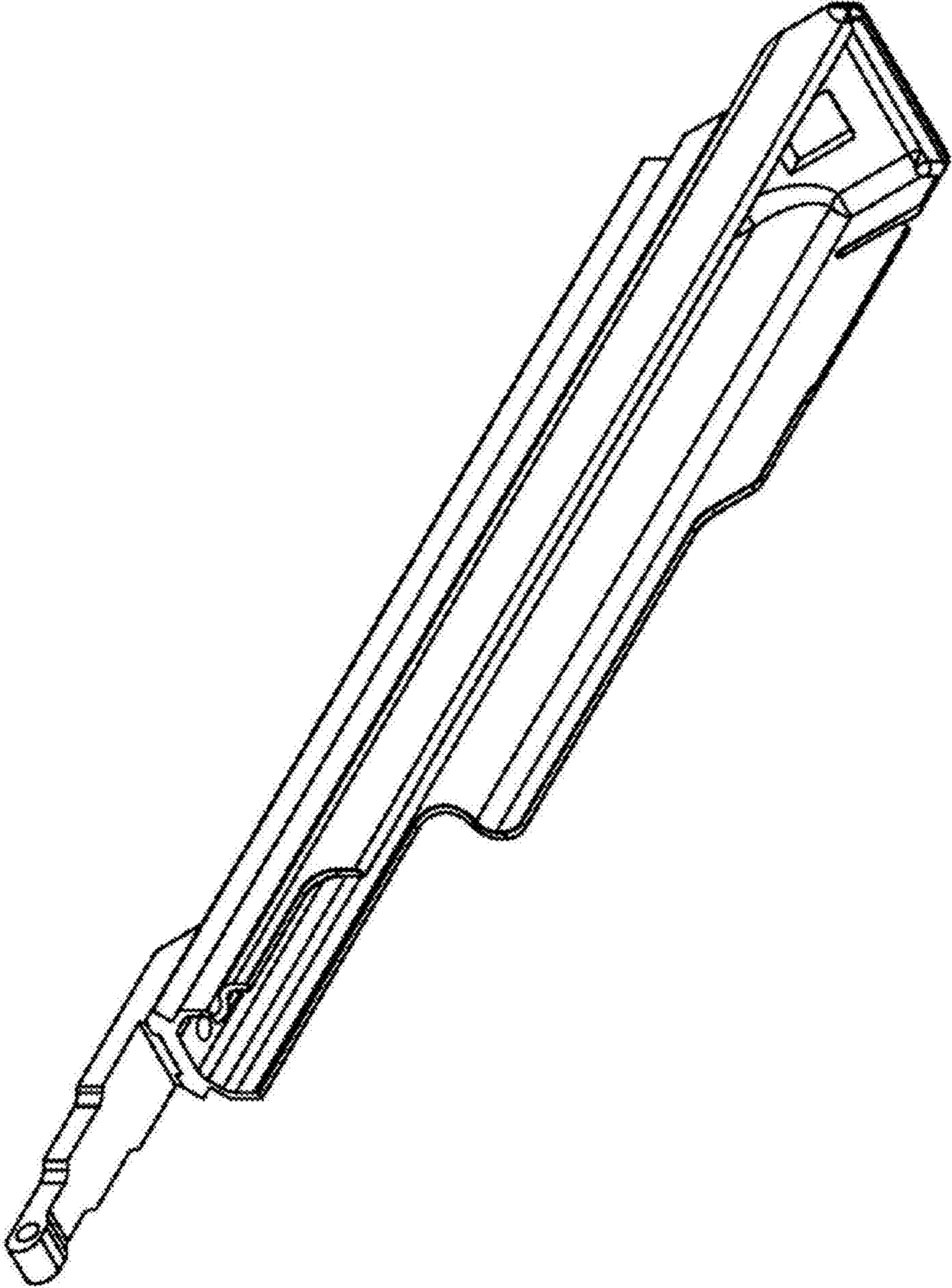


Figure 9

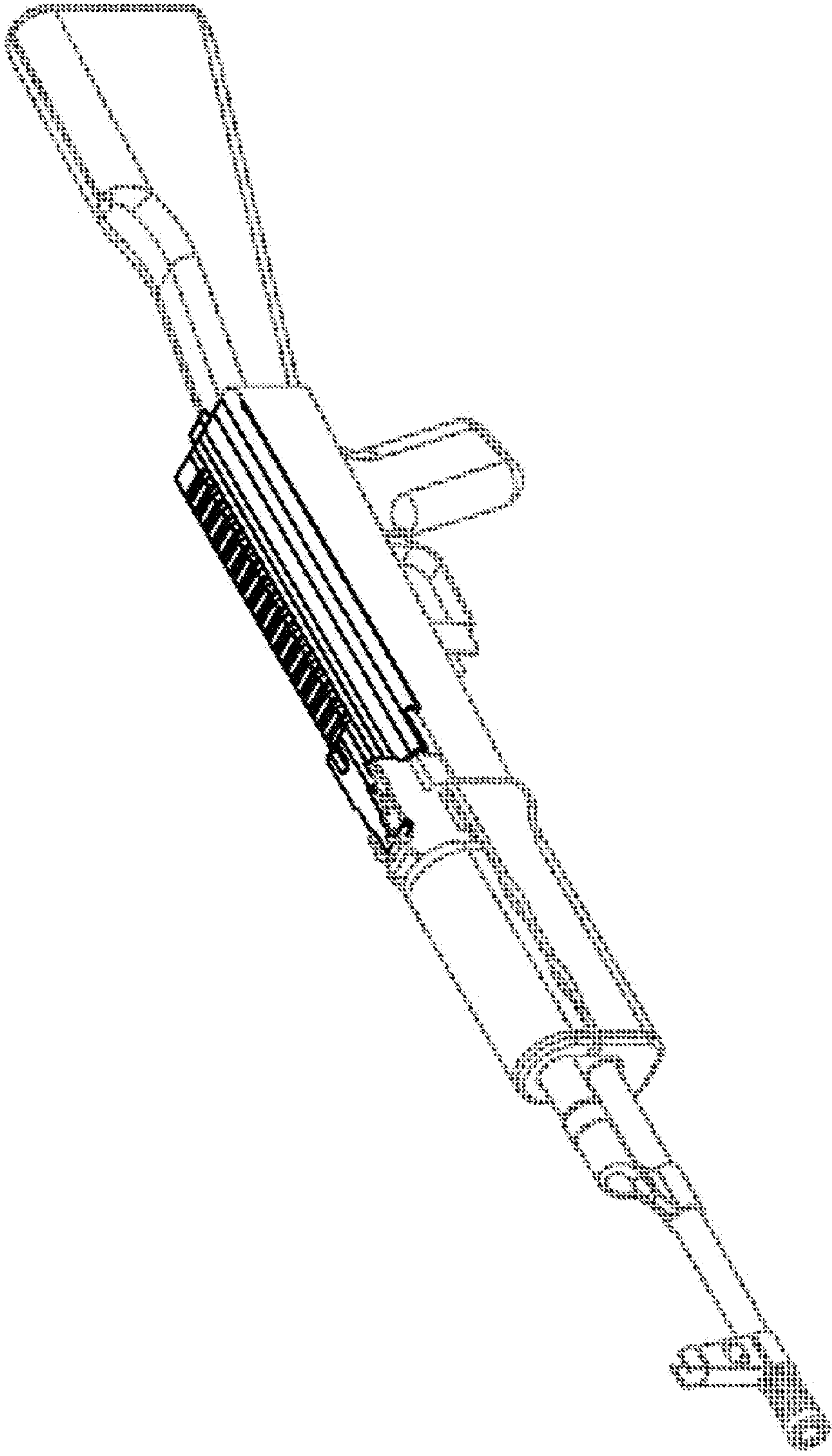


Figure 10