



US00D680184S

(12) **United States Design Patent**
O'Rourke

(10) **Patent No.:** **US D680,184 S**

(45) **Date of Patent:** **** Apr. 16, 2013**

(54) **INFLATABLE BOUNCE PEN**

D511,363 S * 11/2005 Nicholson D21/818
D595,802 S * 7/2009 Boulton et al. D21/835

(76) Inventor: **James Patrick O'Rourke**, Brentwood,
TN (US)

* cited by examiner

(**) Term: **14 Years**

Primary Examiner — Mitchell Siegel

(74) *Attorney, Agent, or Firm* — Shane V. Cortesi

(21) Appl. No.: **29/417,366**

(57) **CLAIM**

The ornamental design for inflatable bounce pen, as shown and described.

(22) Filed: **Apr. 2, 2012**

DESCRIPTION

(51) **LOC (9) Cl.** **21-03**

(52) **U.S. Cl.**
USPC **D21/835**

FIG. 1 is a front elevation view showing the inflatable bounce pen of Applicant's invention.

FIG. 2 is a top view showing the inflatable bounce pen of Applicant's invention.

FIG. 3 is a right side view showing the inflatable bounce pen of Applicant's invention.

FIG. 4 is a left side view showing the inflatable bounce pen of Applicant's invention.

FIG. 5 is a front view showing the inflatable bounce pen of Applicant's invention; and,

FIG. 6 is a rear view showing the inflatable bounce pen of Applicant's invention.

The broken lines shown in the Figures depict environmental subject matter only and are not part of the claimed design.

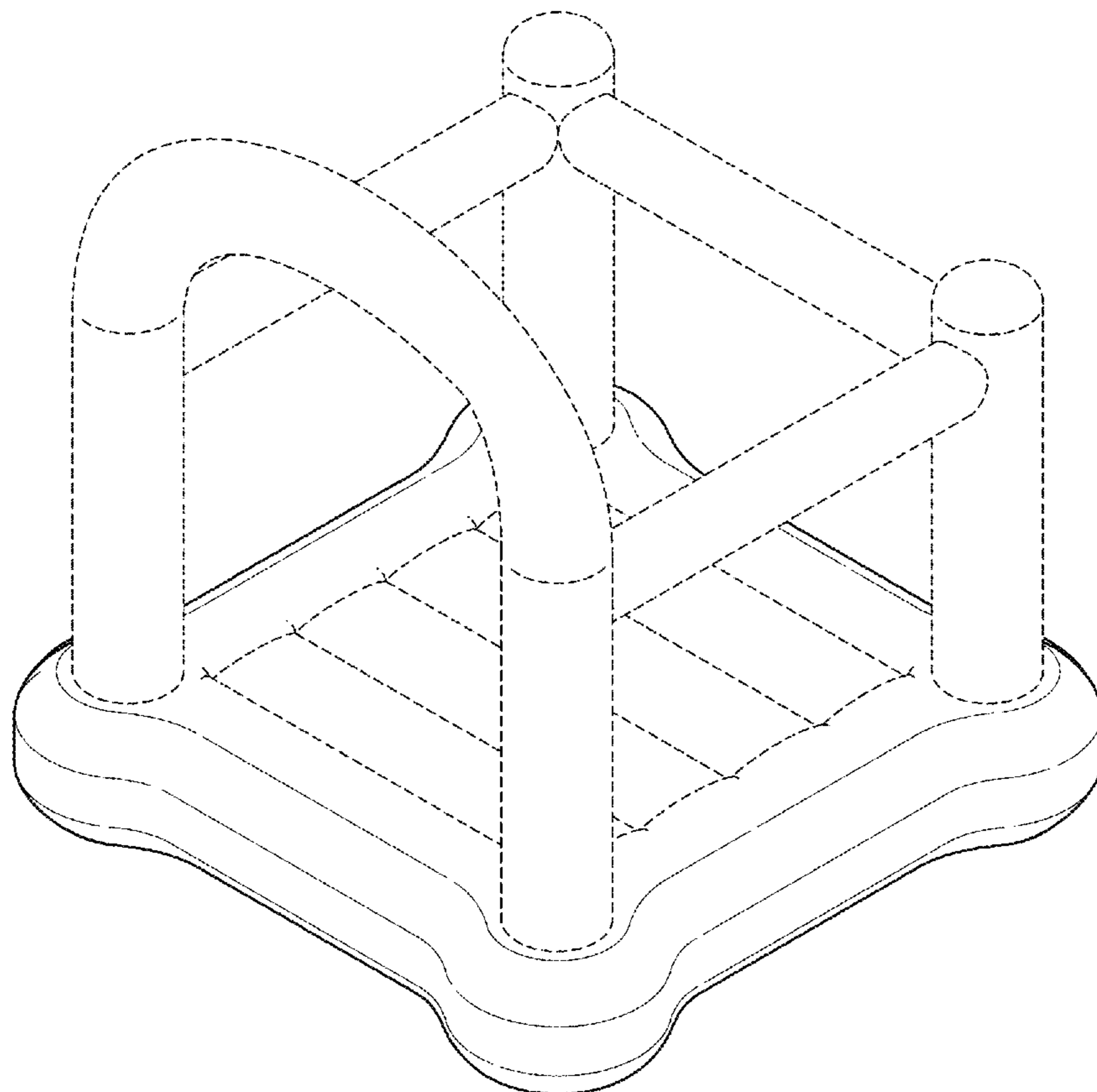
(58) **Field of Classification Search** D21/811,
D21/814, 835, 797; 472/116-117; 482/35-36
See application file for complete search history.

(56) **References Cited**

U.S. PATENT DOCUMENTS

D422,667 S * 4/2000 Lau D21/814
D423,624 S * 4/2000 Motosko D21/814
D441,416 S * 5/2001 Gourchounian D21/820
D478,955 S * 8/2003 Chen D21/797

1 Claim, 4 Drawing Sheets



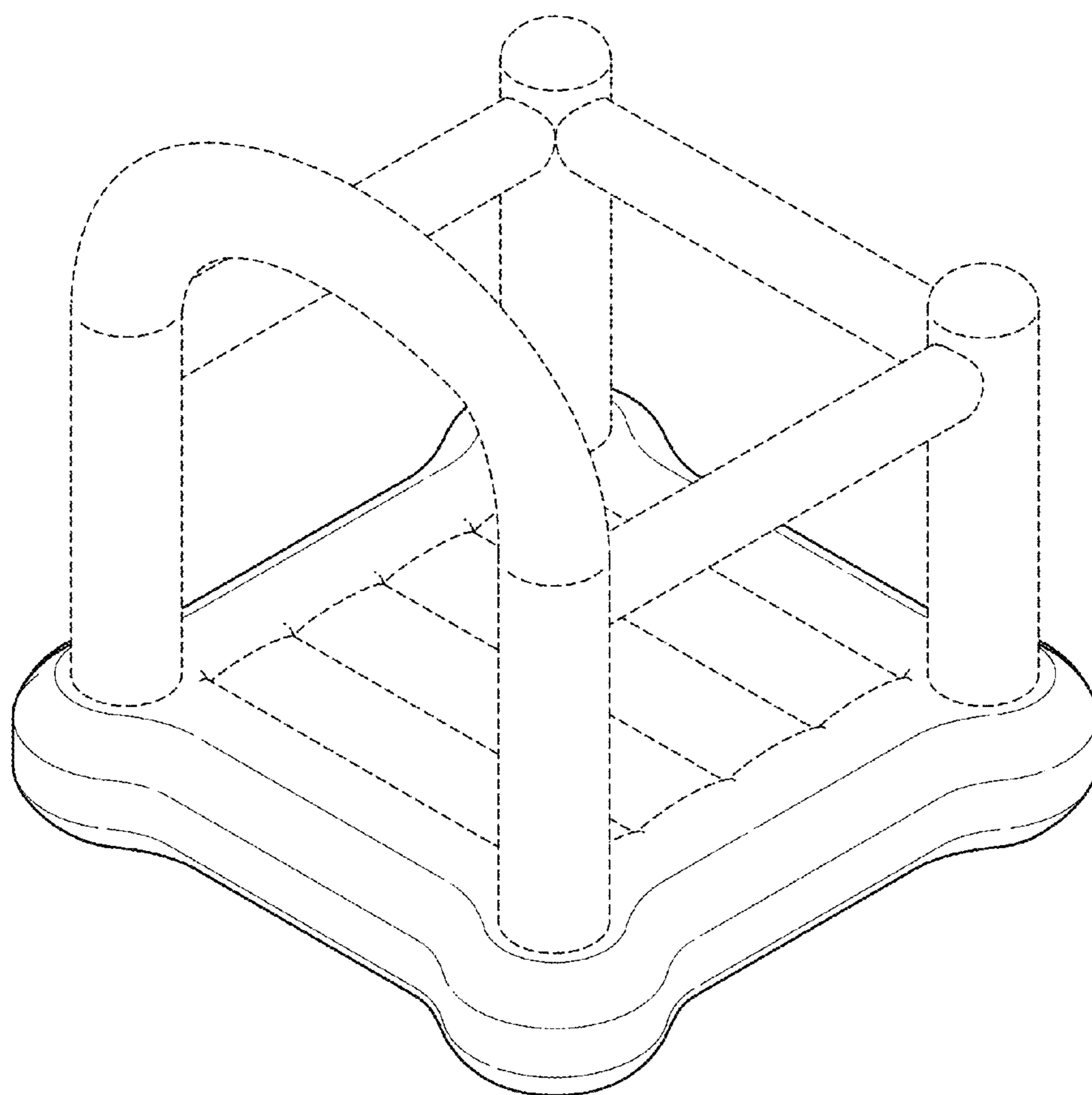


FIG. 1

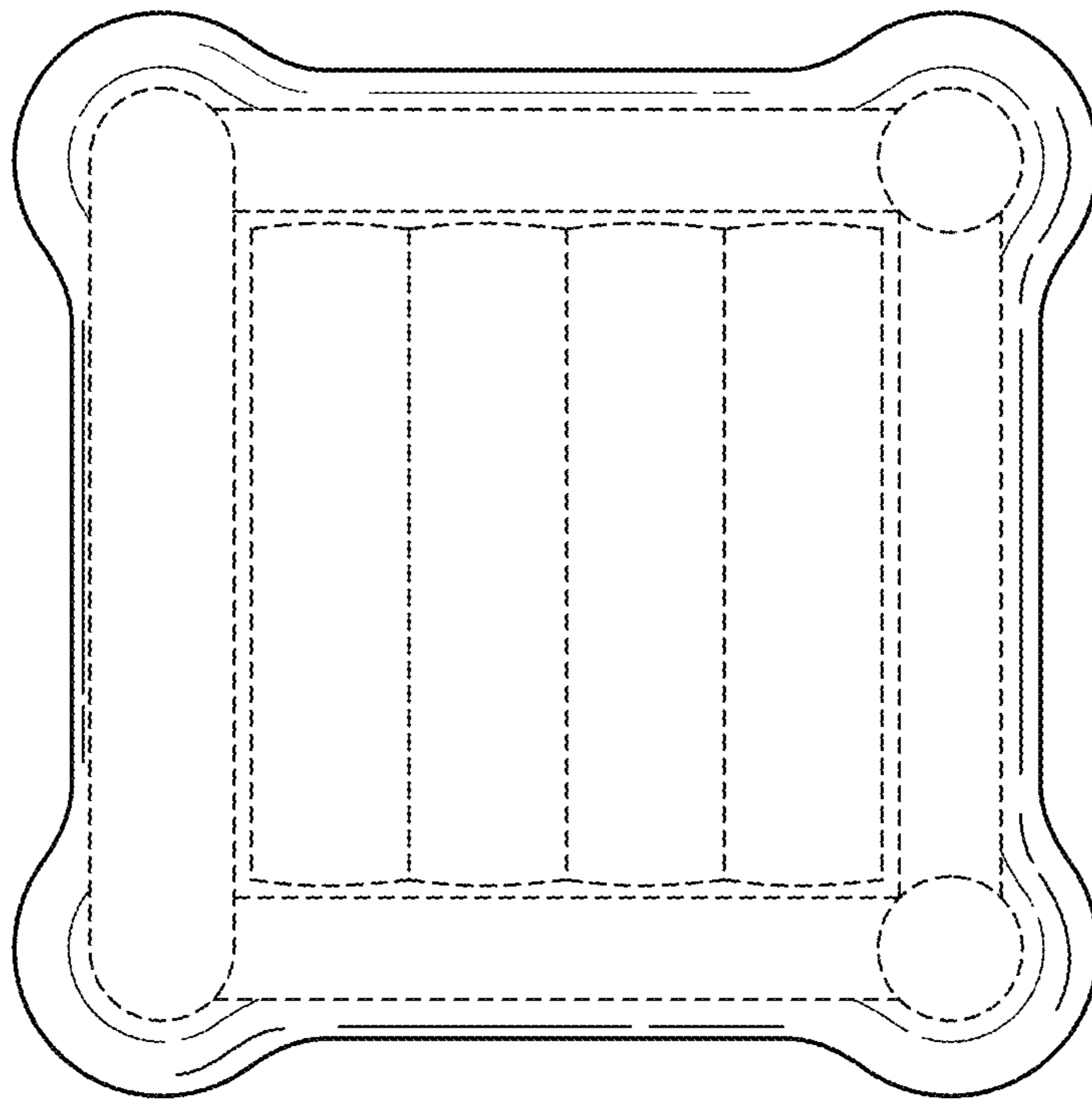


FIG. 2

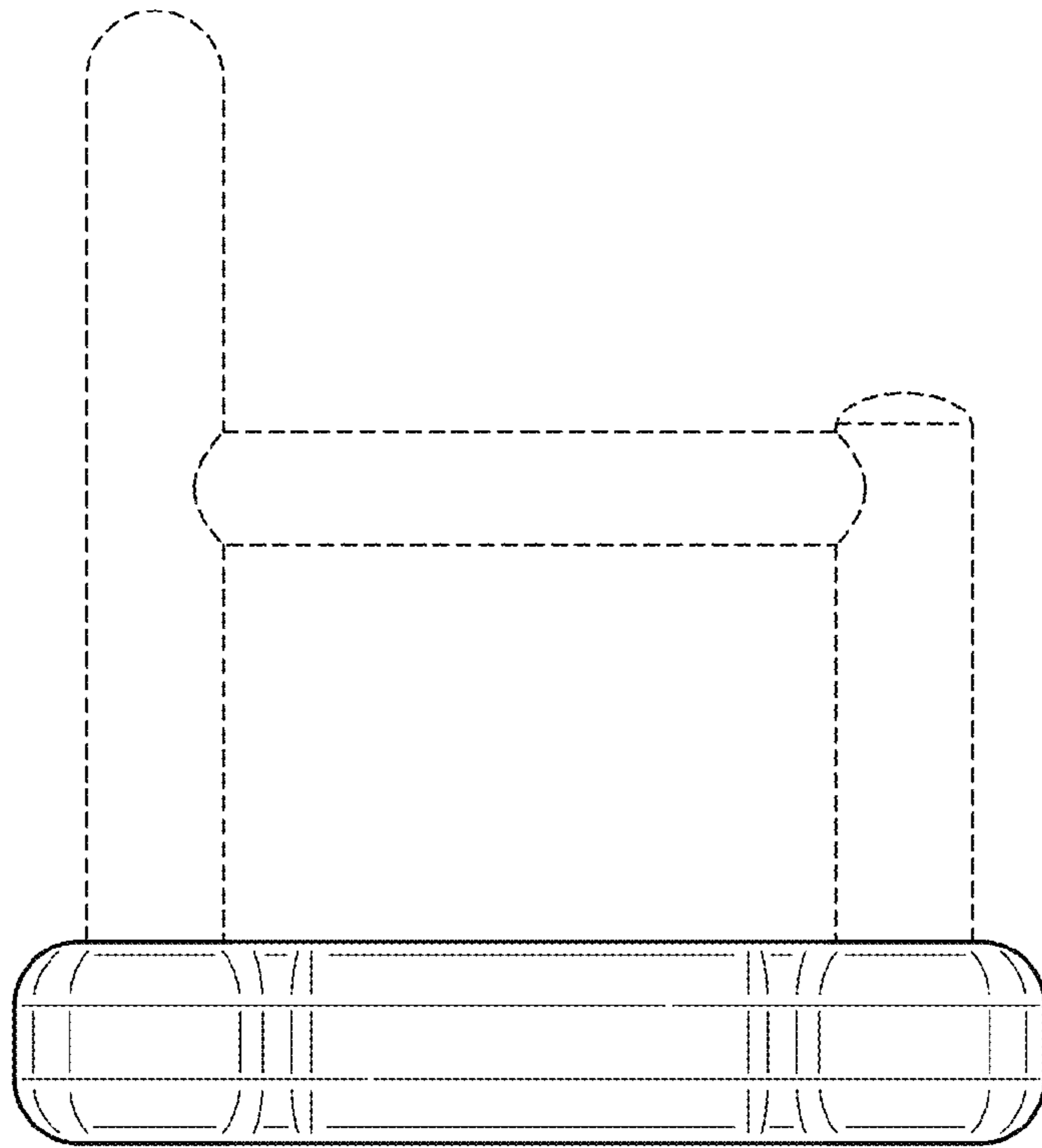


FIG. 3

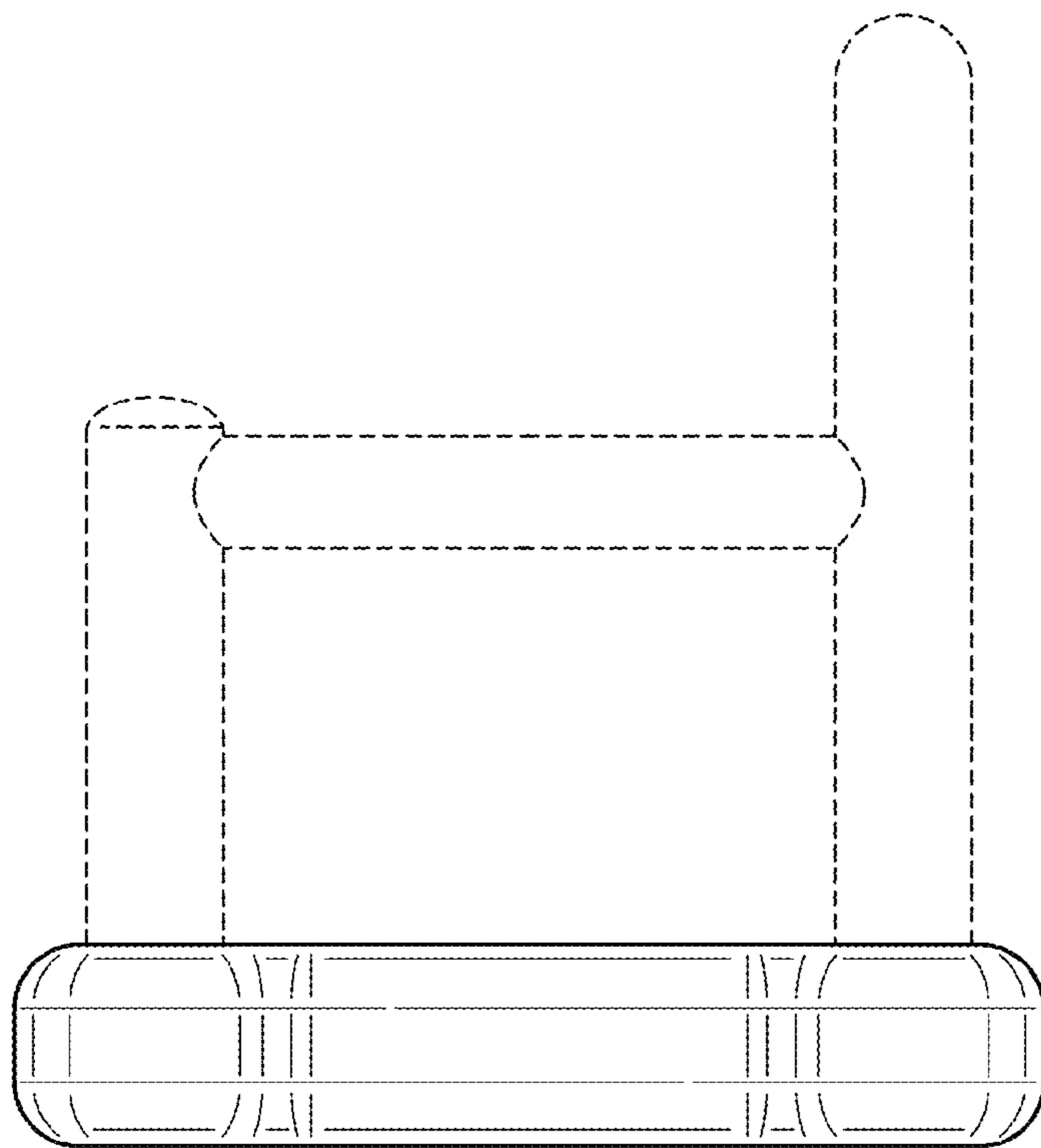


FIG. 4

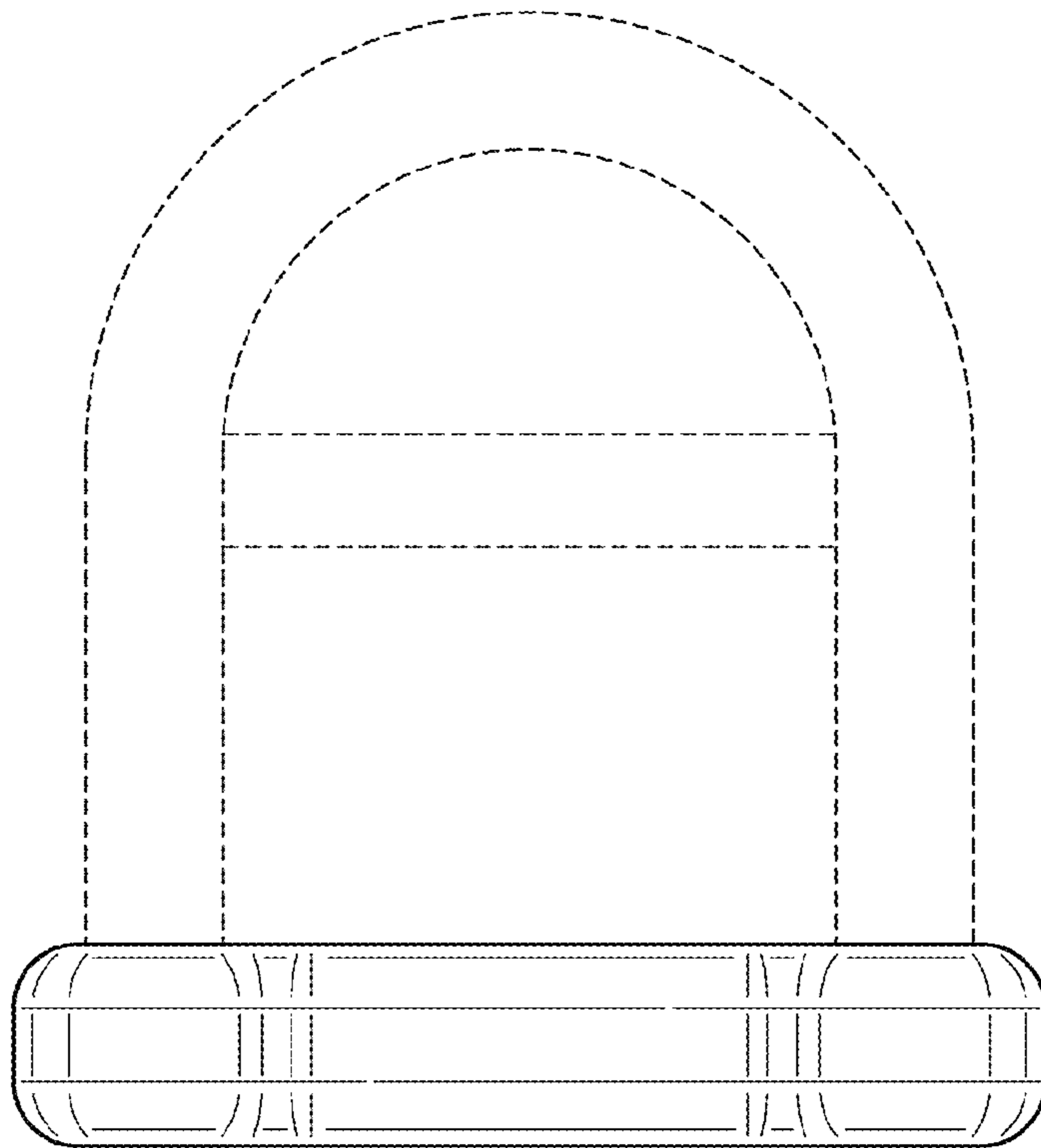


FIG. 5

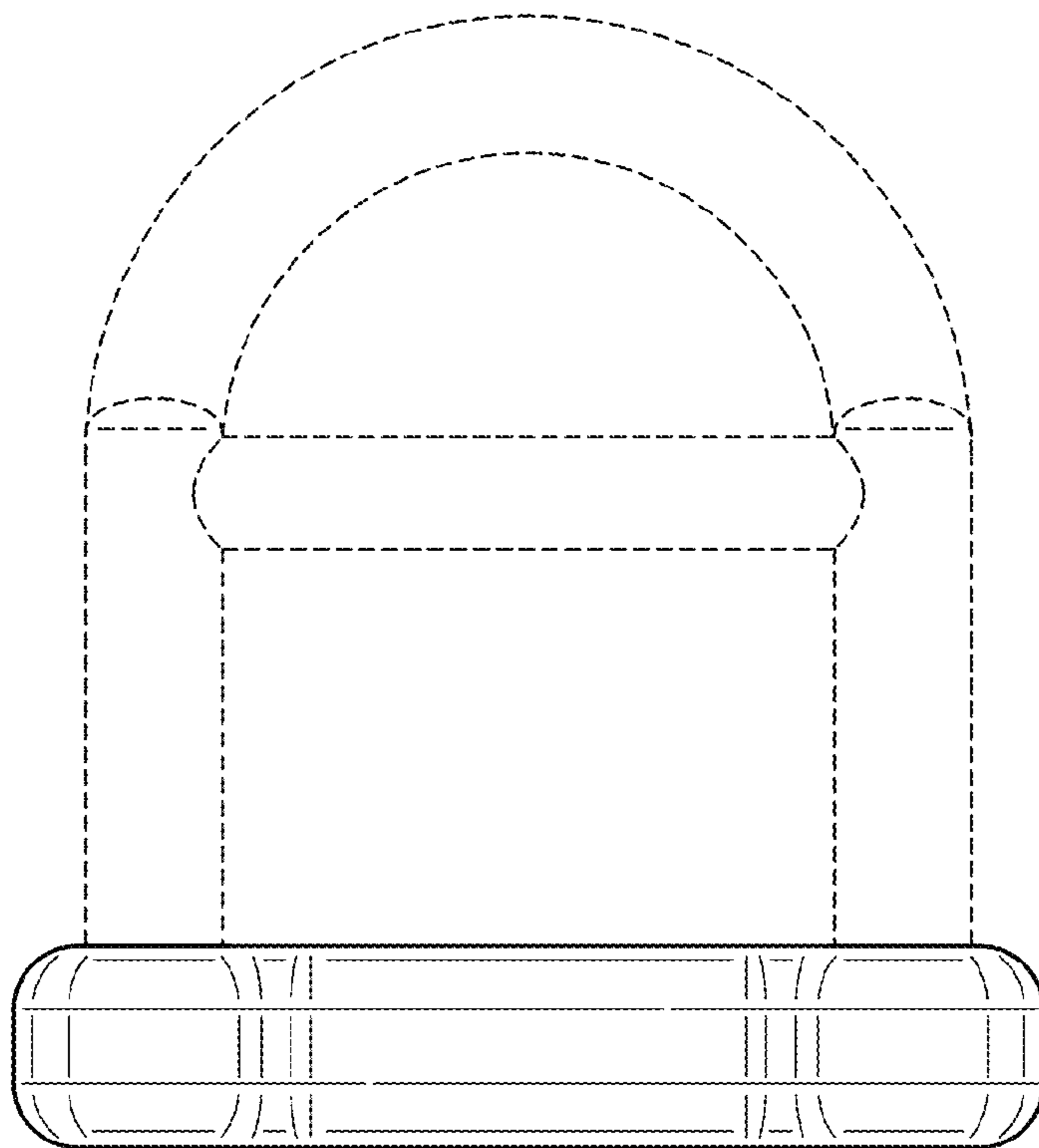


FIG. 6