



US00D680181S

(12) **United States Design Patent**  
**Roland**

(10) **Patent No.:** **US D680,181 S**

(45) **Date of Patent:** **\*\* Apr. 16, 2013**

(54) **PUTTER HEAD**

(75) Inventor: **Daniel L. Roland**, Spring Valley, NY  
(US)

(73) Assignee: **Sniper Putters, Inc.**, Spring Valley, NY  
(US)

(\*\*) Term: **14 Years**

(21) Appl. No.: **29/431,165**

(22) Filed: **Sep. 4, 2012**

**Related U.S. Application Data**

(63) Continuation of application No. 29/401,340, filed on  
Sep. 10, 2011, now Pat. No. Des. 669,145.

(51) **LOC (9) Cl.** ..... **21-02**

(52) **U.S. Cl.**  
USPC ..... **D21/759**

(58) **Field of Classification Search** ..... D21/736-746,  
D21/759; 473/324-331, 340-341, 251-256  
See application file for complete search history.

(56) **References Cited**

**U.S. PATENT DOCUMENTS**

D111,855 S *	10/1938	Mareno .....	D21/759
D150,497 S *	8/1948	Forsell .....	D21/759
4,002,343 A *	1/1977	Eckert .....	473/251
4,871,174 A	10/1989	Kobayashi .....	473/252
D323,867 S	2/1992	Rizzotto .....	D21/740
D355,462 S	2/1995	Wyatt .....	D21/741
D360,446 S *	7/1995	Juliano .....	D21/759

D366,081 S	1/1996	Patten .....	D21/743
D505,702 S	5/2005	Wood .....	D21/736
D519,593 S *	4/2006	Solari .....	D21/791
D565,138 S	3/2008	Wilson .....	D21/743
D585,511 S *	1/2009	Cameron .....	D21/743
D591,372 S *	4/2009	Tang et al. ....	D21/743
D594,517 S *	6/2009	Tang et al. ....	D21/736
D607,950 S *	1/2010	Souza et al. ....	D21/736
D620,993 S *	8/2010	Laub .....	D21/746
D621,458 S *	8/2010	Serrano et al. ....	D21/736
D669,145 S *	10/2012	Roland .....	D21/736

\* cited by examiner

*Primary Examiner* — Mitchell Siegel

(74) *Attorney, Agent, or Firm* — Michael E. Zall

(57) **CLAIM**

The ornamental design for a putter head, as shown and described.

**DESCRIPTION**

FIG. 1 is a perspective view of my putter head embodying my new design;

FIG. 2 is a rear view thereof;

FIG. 3 is a front view thereof;

FIG. 4 is a right side view thereof;

FIG. 5 is a left side view thereof;

FIG. 6 is a top view thereof; and,

FIG. 7 is a bottom view thereof.

The broken lines in the figures depict environmental subject matter only and forms no part of the claimed design.

**1 Claim, 4 Drawing Sheets**

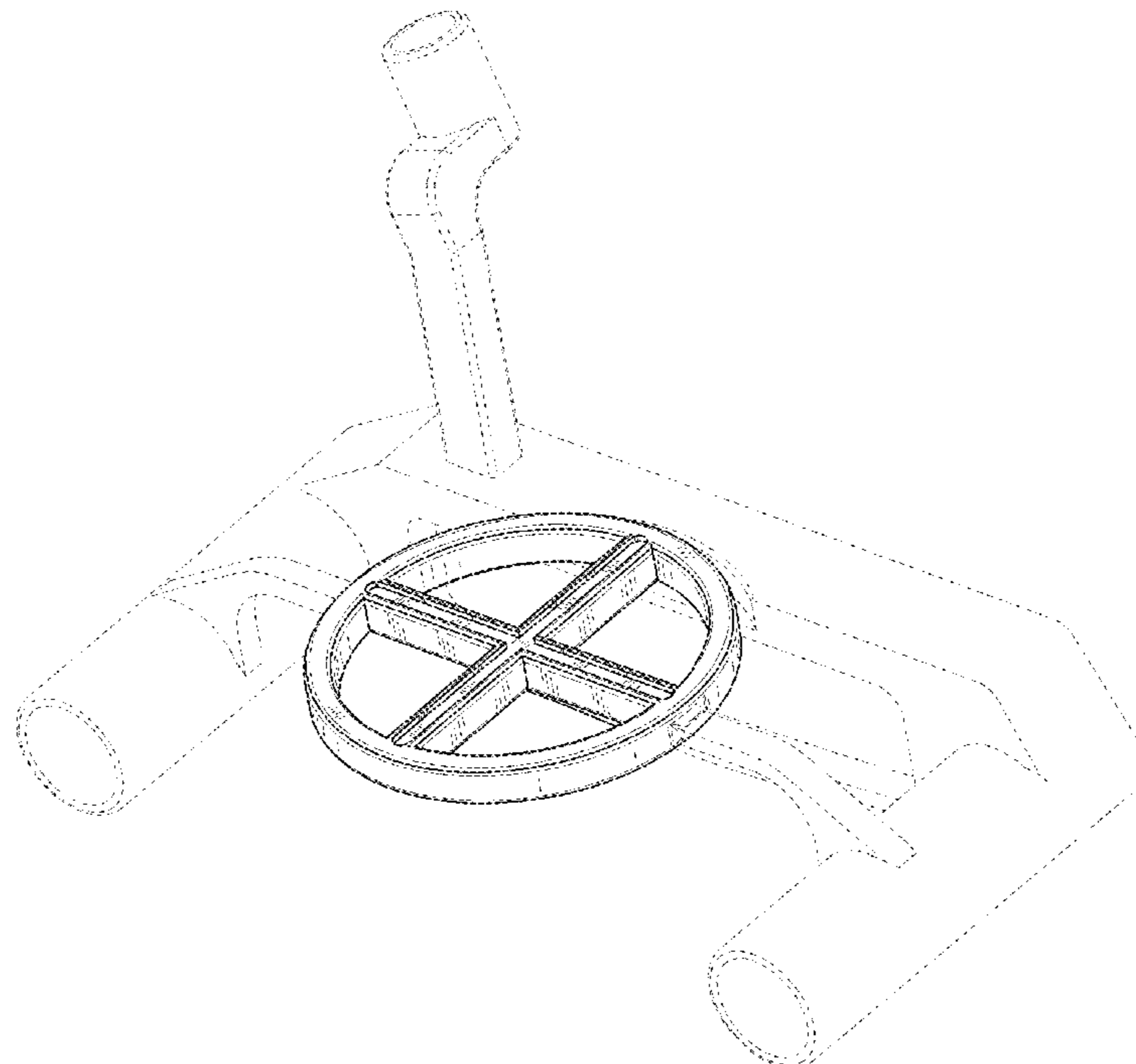


FIG. 1

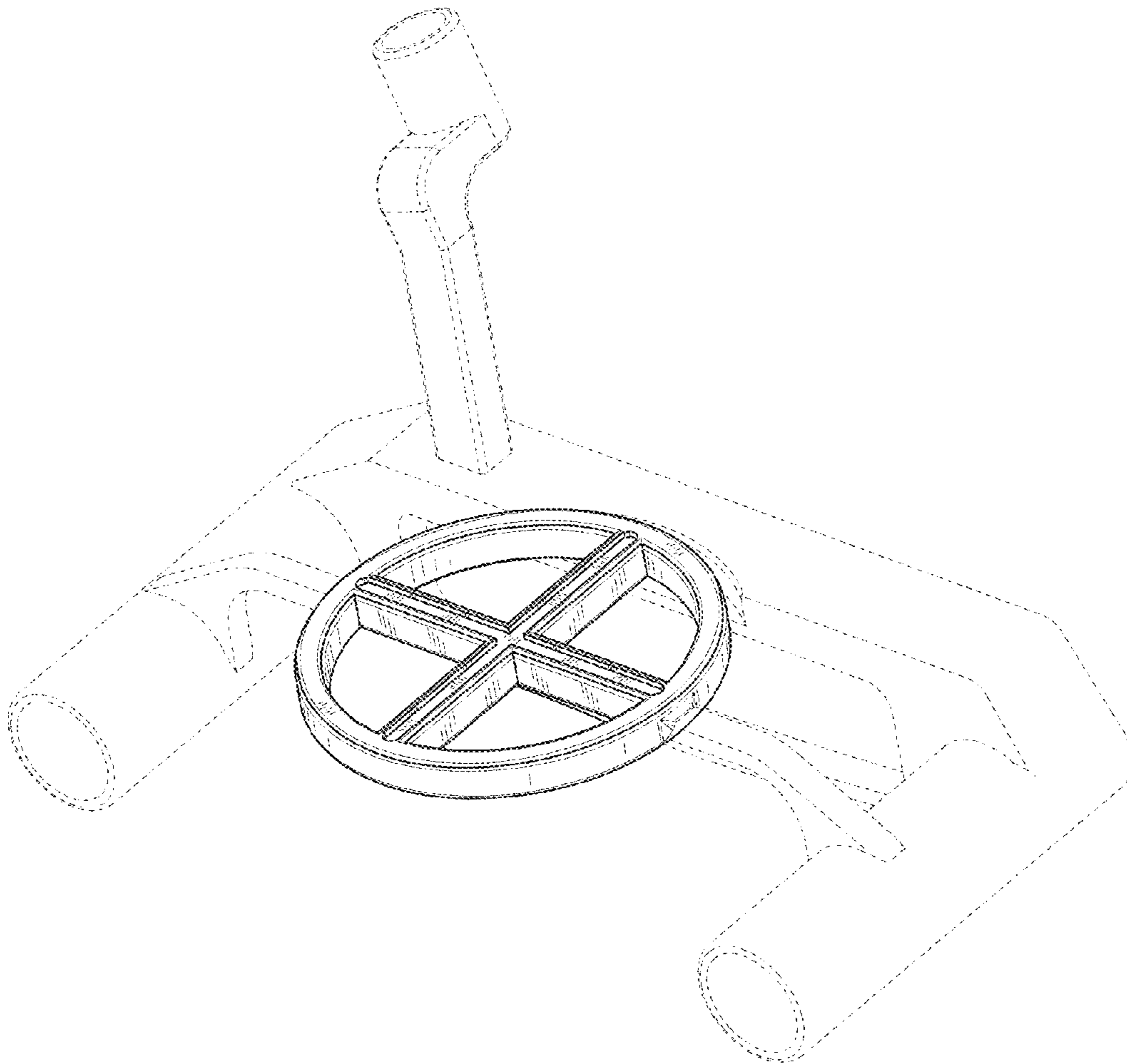


FIG. 2

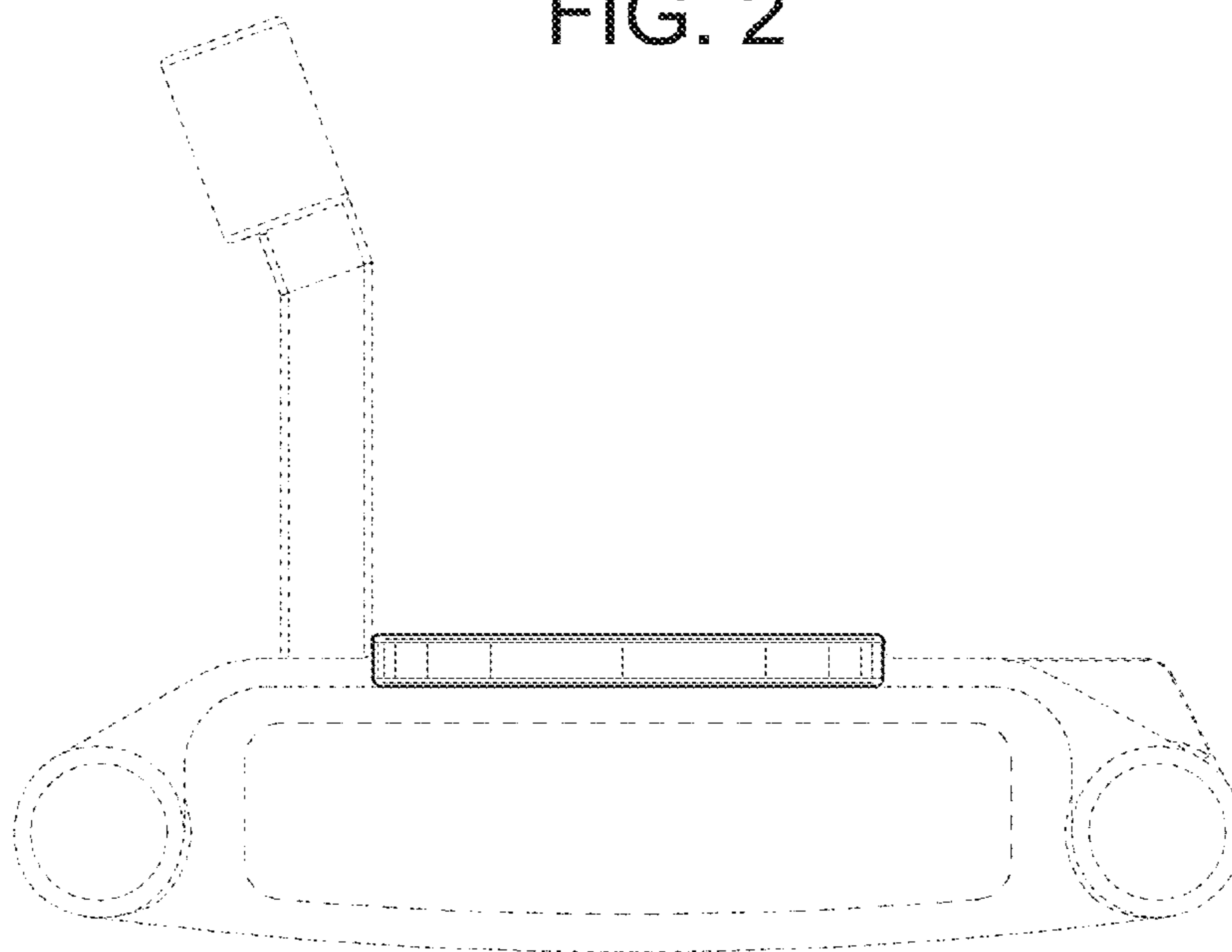


FIG. 3

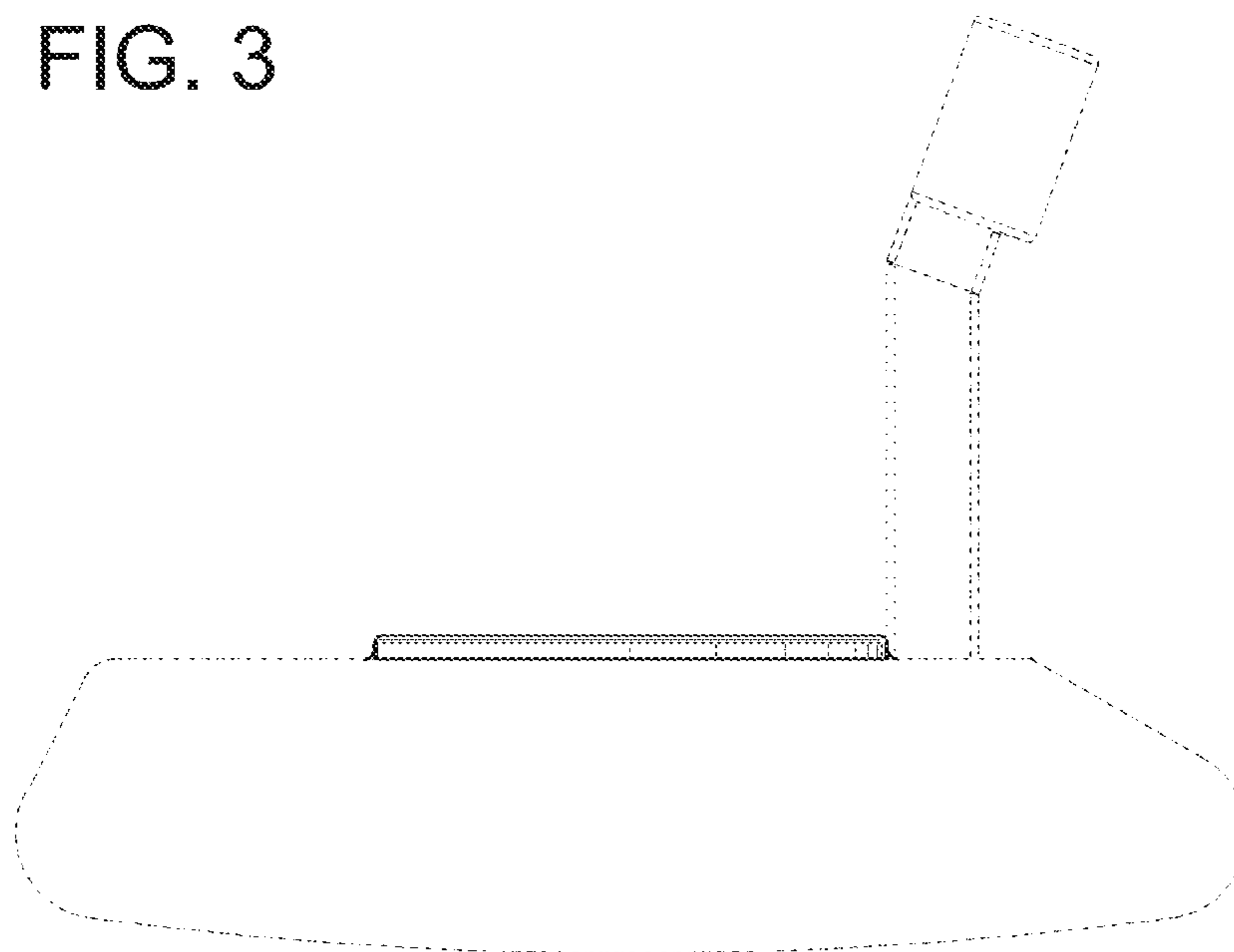


FIG. 4

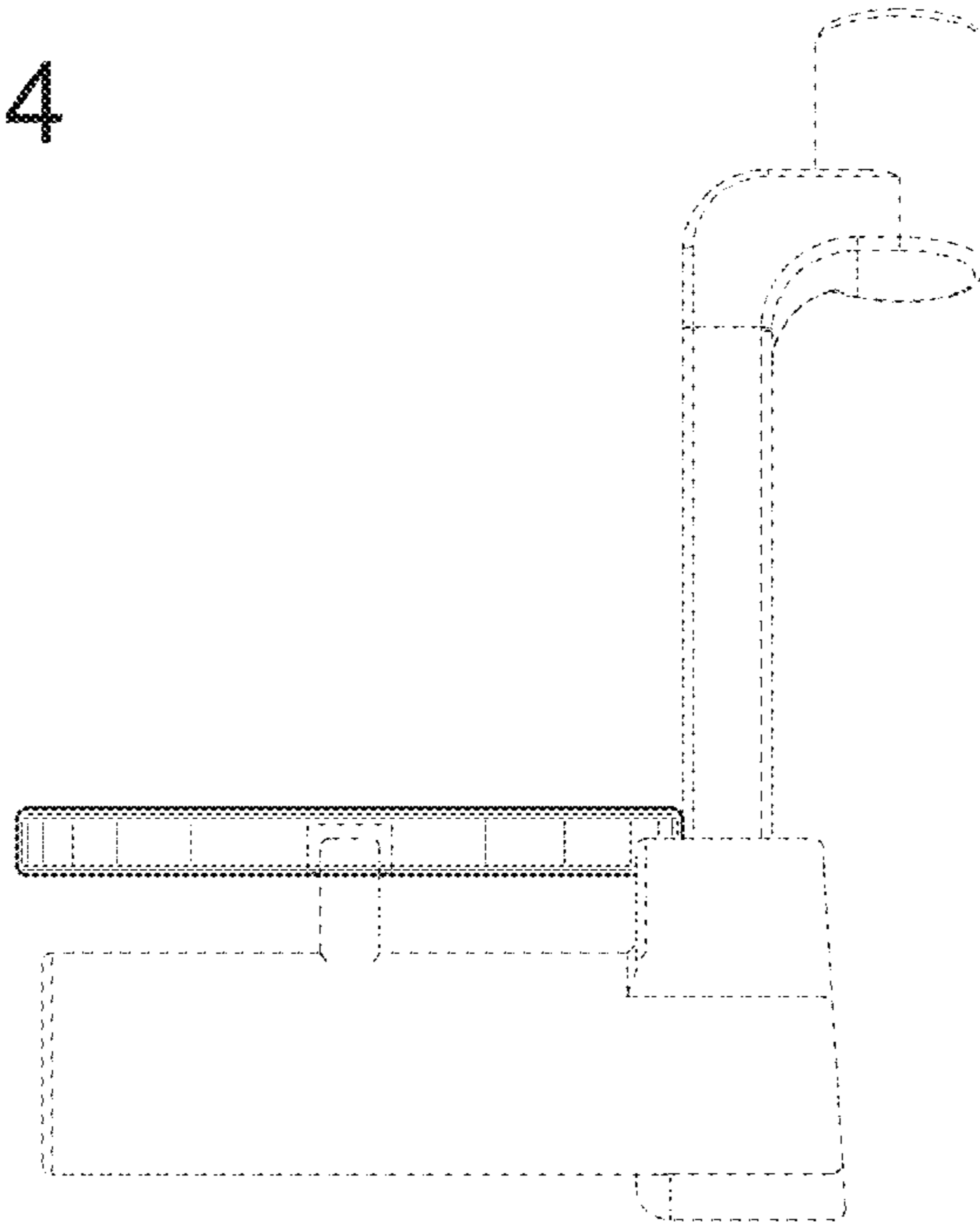


FIG. 5

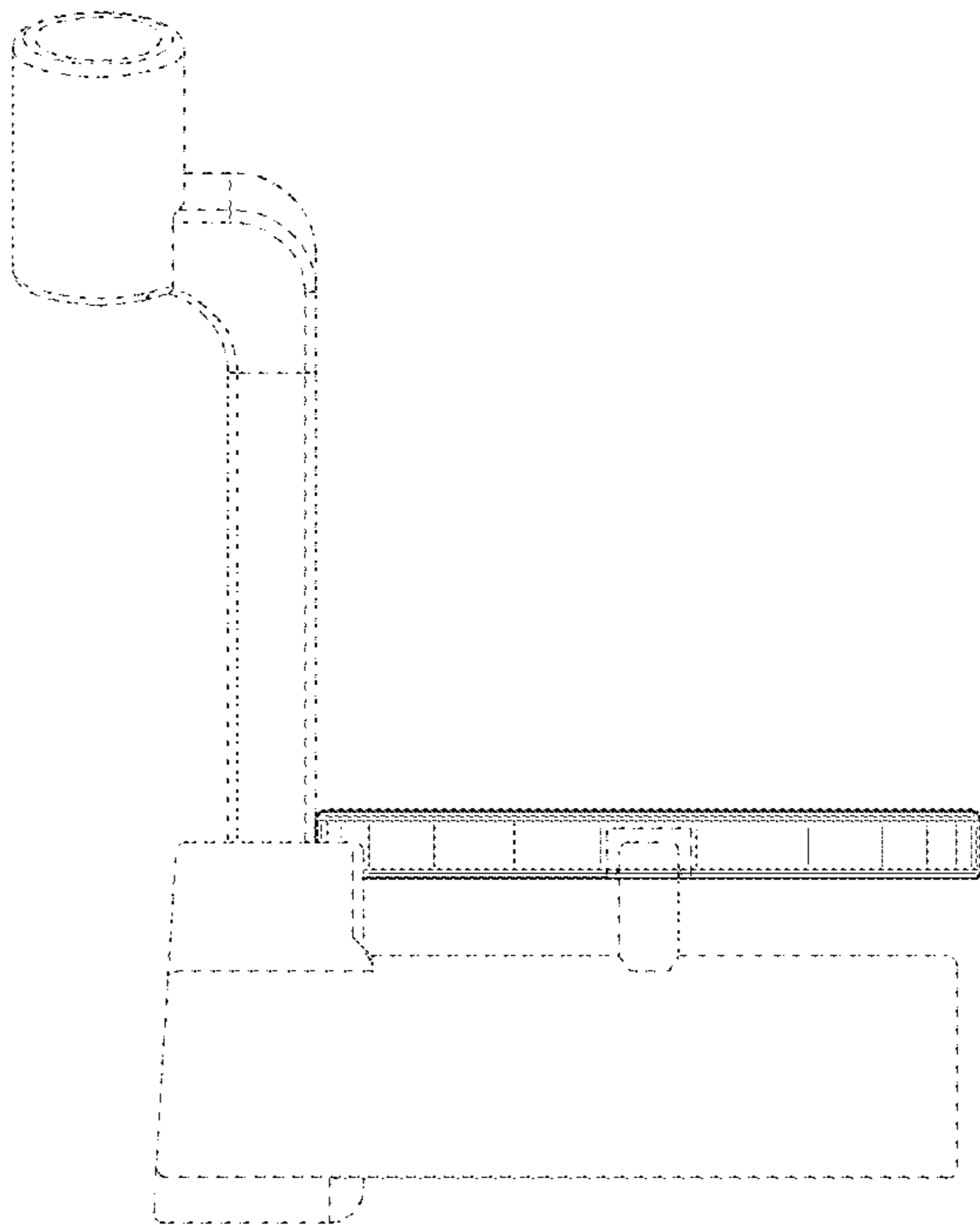


FIG. 6

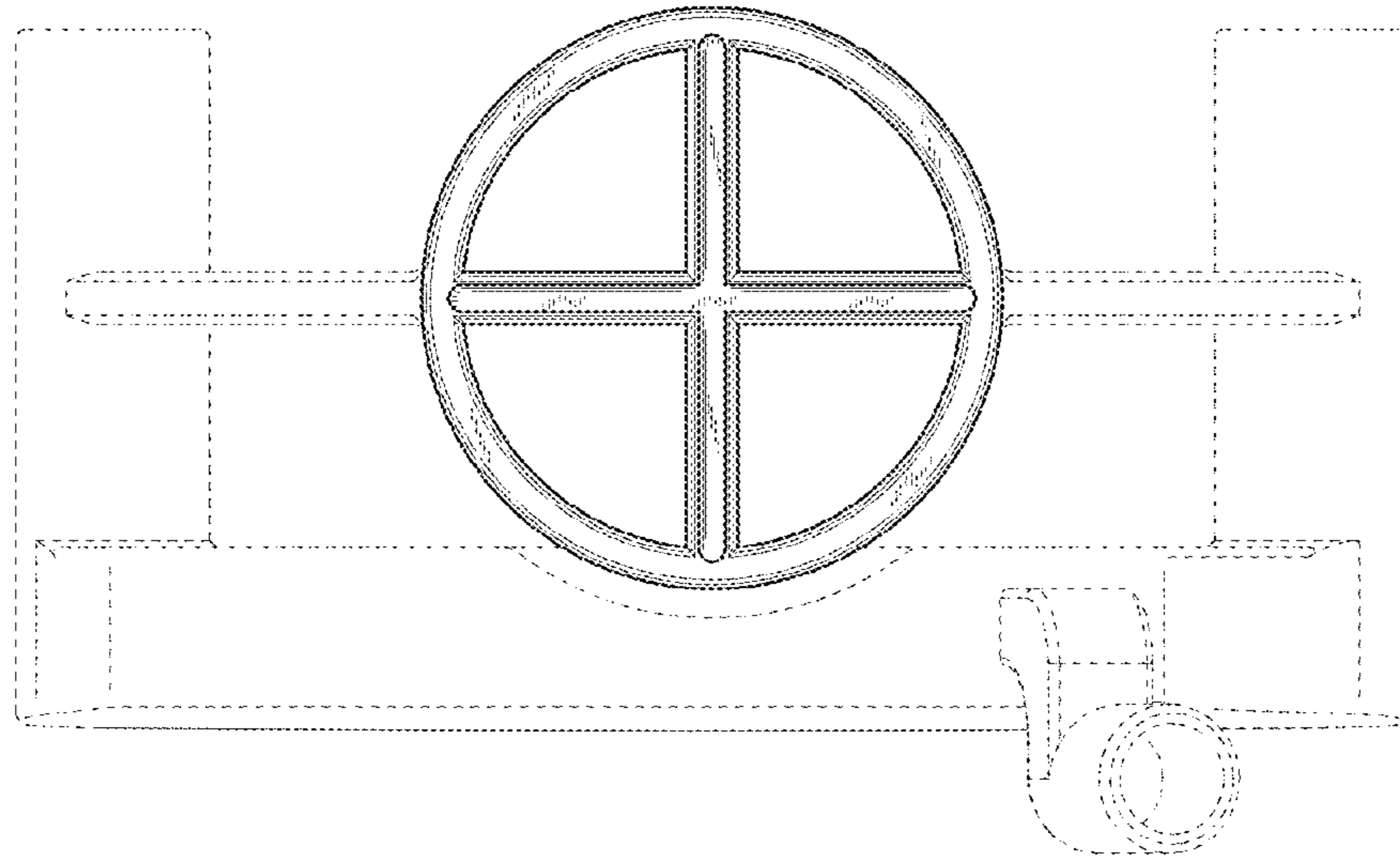


FIG. 7

