



US00D680176S

(12) **United States Design Patent**
Chin

(10) **Patent No.:** **US D680,176 S**

(45) **Date of Patent:** **** Apr. 16, 2013**

(54) **BUILDING BLOCK**

(76) Inventor: **Taan-Kuan Chin**, Taipei (TW)

(**) Term: **14 Years**

(21) Appl. No.: **29/418,854**

(22) Filed: **Apr. 23, 2012**

(51) **LOC (9) Cl.** **21-01**

(52) **U.S. Cl.**
USPC **D21/505; D21/495**

(58) **Field of Classification Search** D21/484,
D21/485, 486, 490, 494, 495, 500, 504, 505,
D21/507, 561; 446/69, 85, 102-128; 434/259,
434/403; 273/153, 153 P, 156
See application file for complete search history.

(56) **References Cited**

U.S. PATENT DOCUMENTS

3,034,254	A	*	5/1962	Christiansen	446/128
D285,705	S	*	9/1986	Dideriksen	D21/505
D318,077	S	*	7/1991	Larsen et al.	D21/505
D330,056	S	*	10/1992	Pagel	D21/505
D335,160	S	*	4/1993	Knudsen	D21/505
D344,303	S	*	2/1994	Knudsen	D21/505

D353,629	S	*	12/1994	Skov	D21/504
D354,529	S	*	1/1995	Skov	D21/504
D361,099	S	*	8/1995	Skov	D21/504
D546,899	S	*	7/2007	Sorensen	D21/484
D550,784	S	*	9/2007	Glickman et al.	D21/505
D587,765	S	*	3/2009	Dawes	D21/495

* cited by examiner

Primary Examiner — Cynthia M Chin

(74) *Attorney, Agent, or Firm* — C. G. Mersereau; Nikolai & Mersereau, P.A.

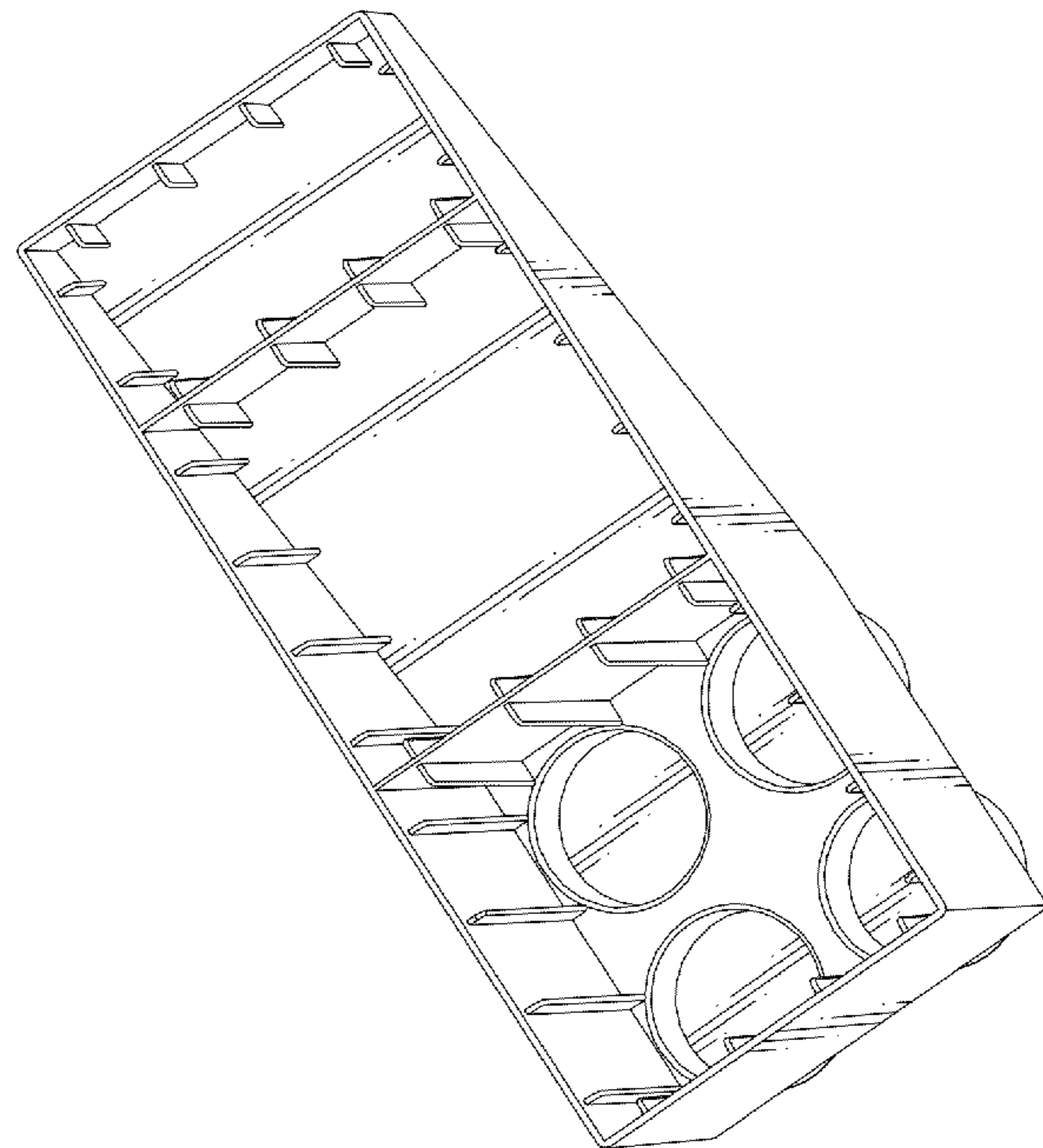
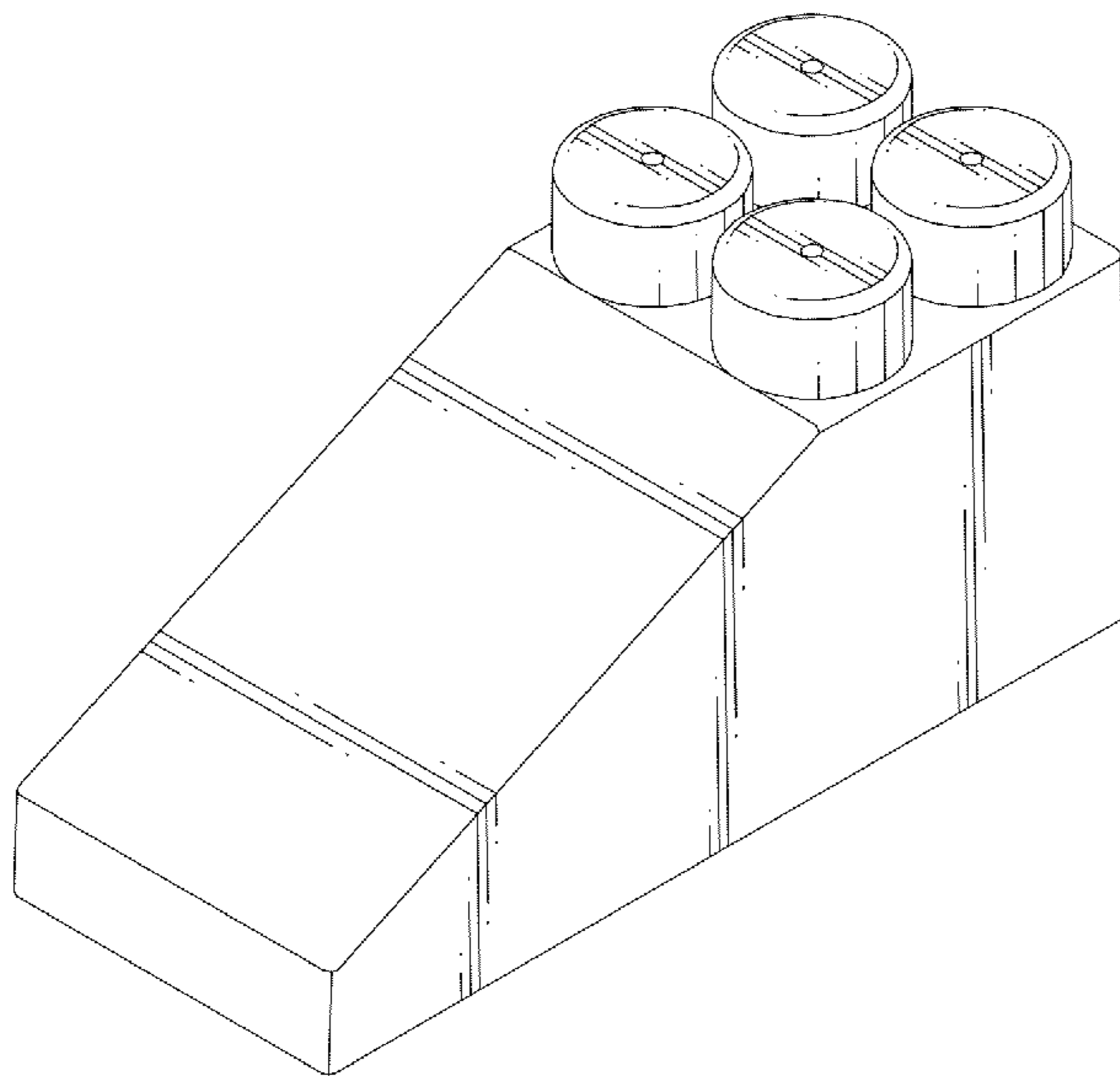
(57) **CLAIM**

The ornamental design for a building block, as shown.

DESCRIPTION

FIG. 1 is a perspective view of a building block showing my new design;
FIG. 2 is a front view thereof;
FIG. 3 is a rear view thereof;
FIG. 4 is a left side view thereof;
FIG. 5 is a right side view thereof;
FIG. 6 is a top view thereof;
FIG. 7 is a bottom view thereof; and,
FIG. 8 is another perspective view thereof.

1 Claim, 8 Drawing Sheets



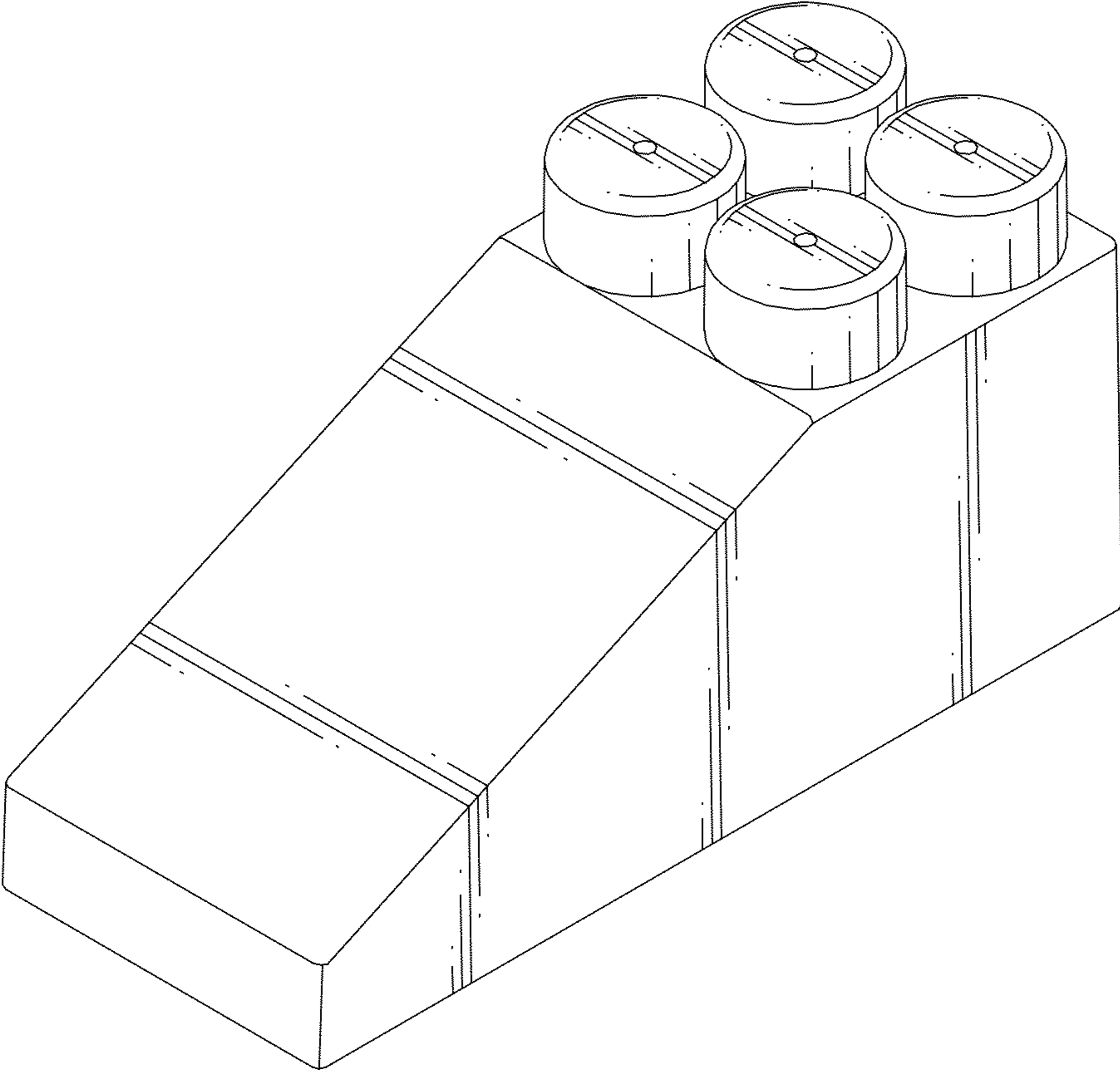


FIG.1

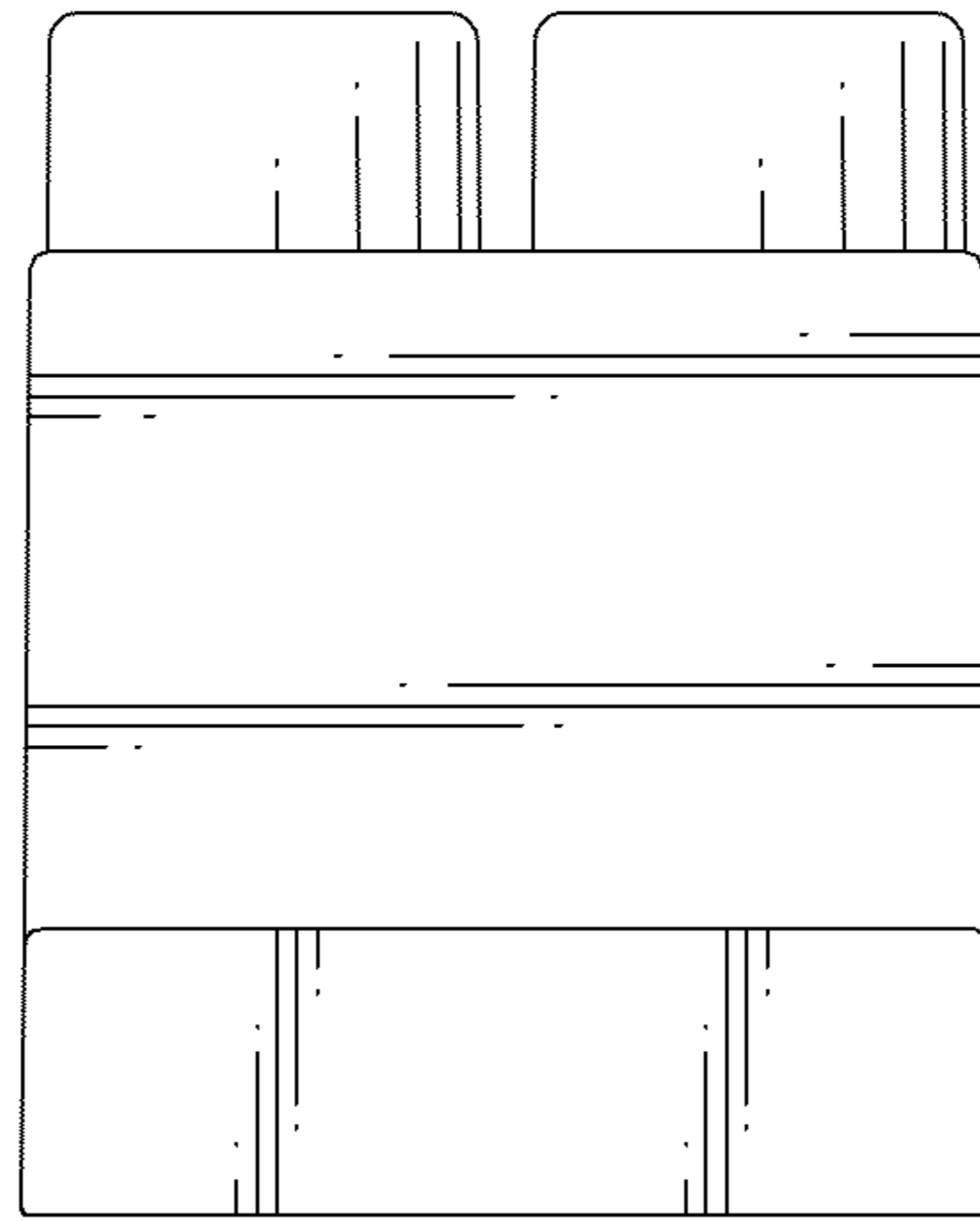


FIG.2

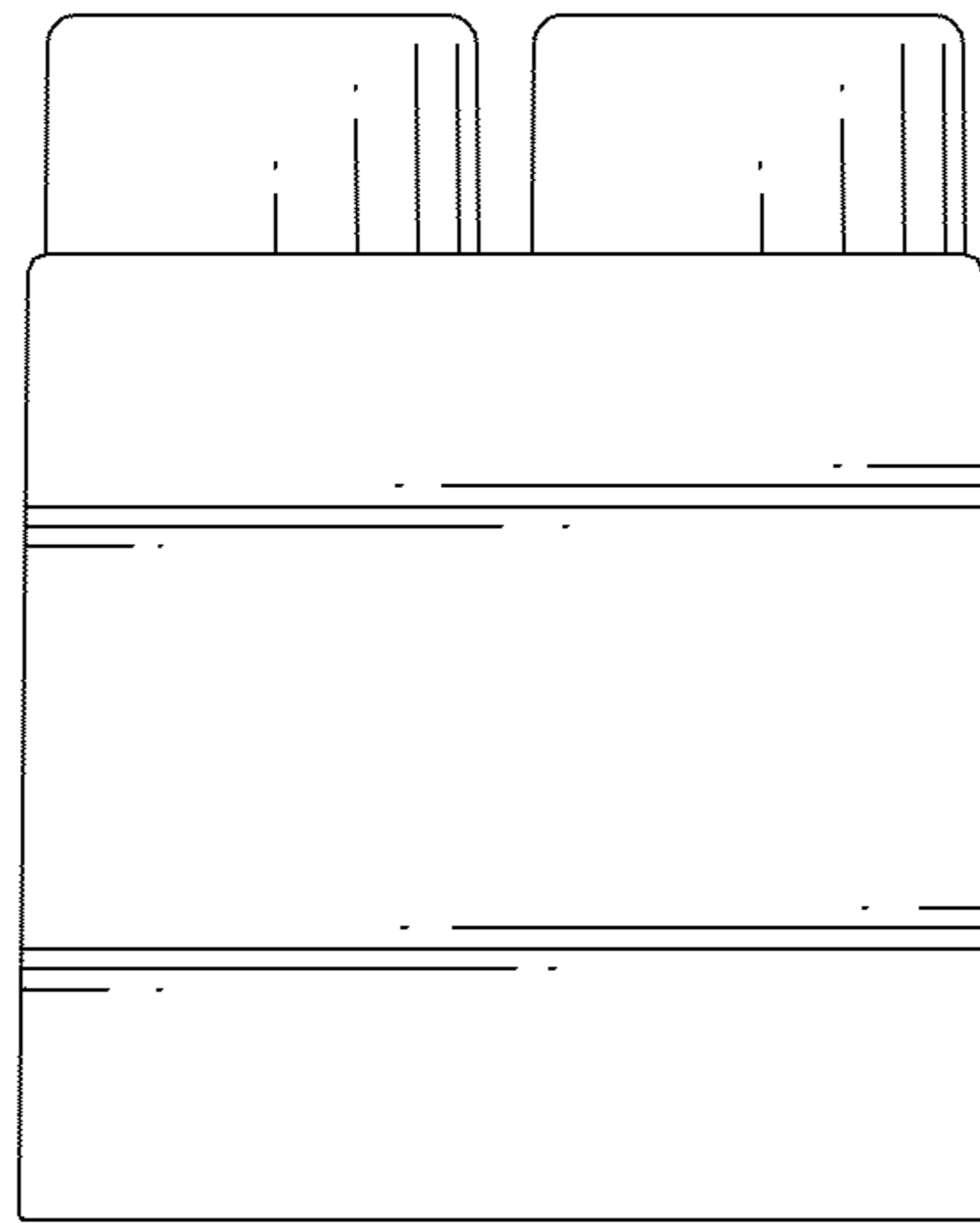


FIG.3

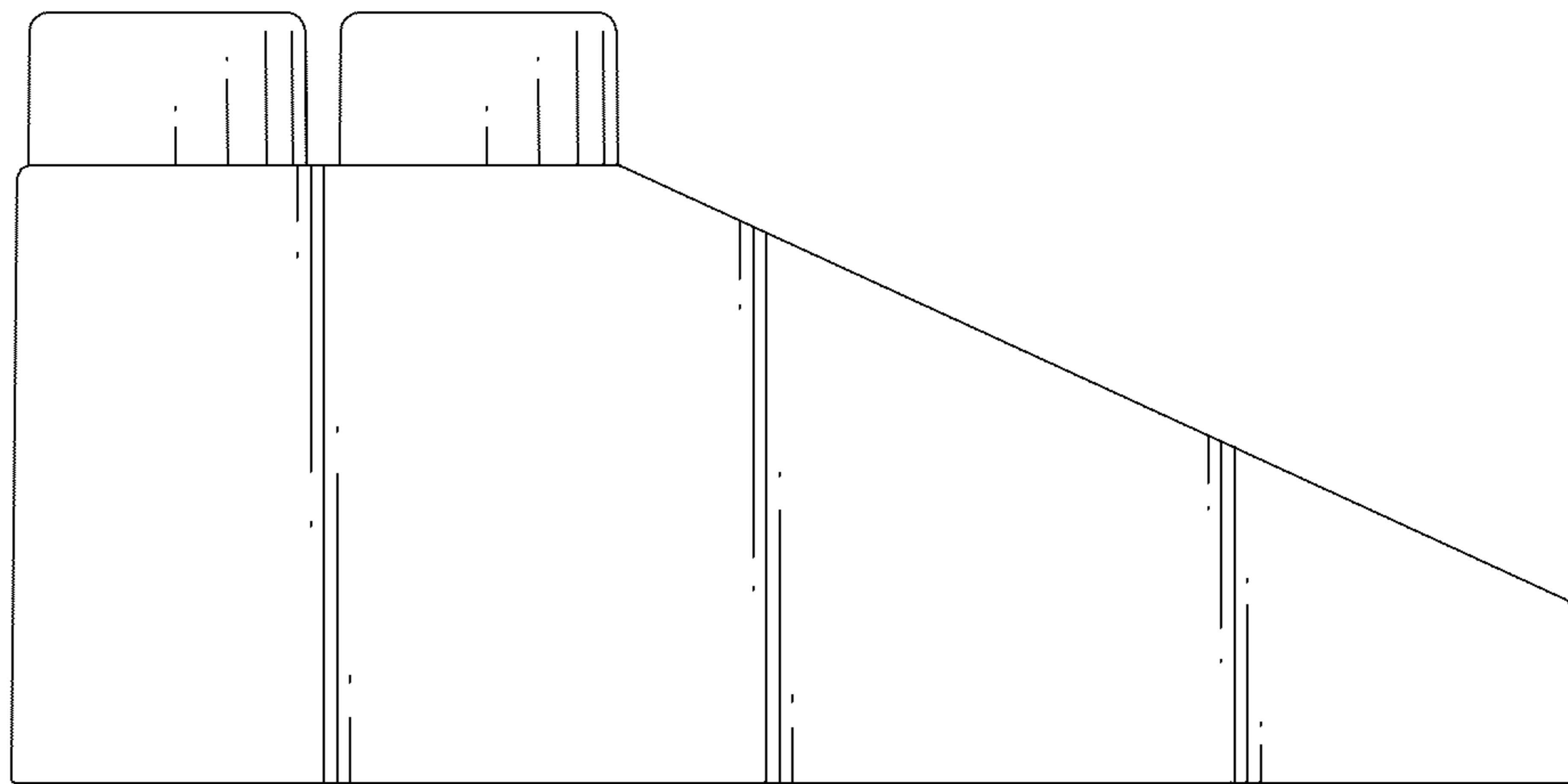


FIG.4

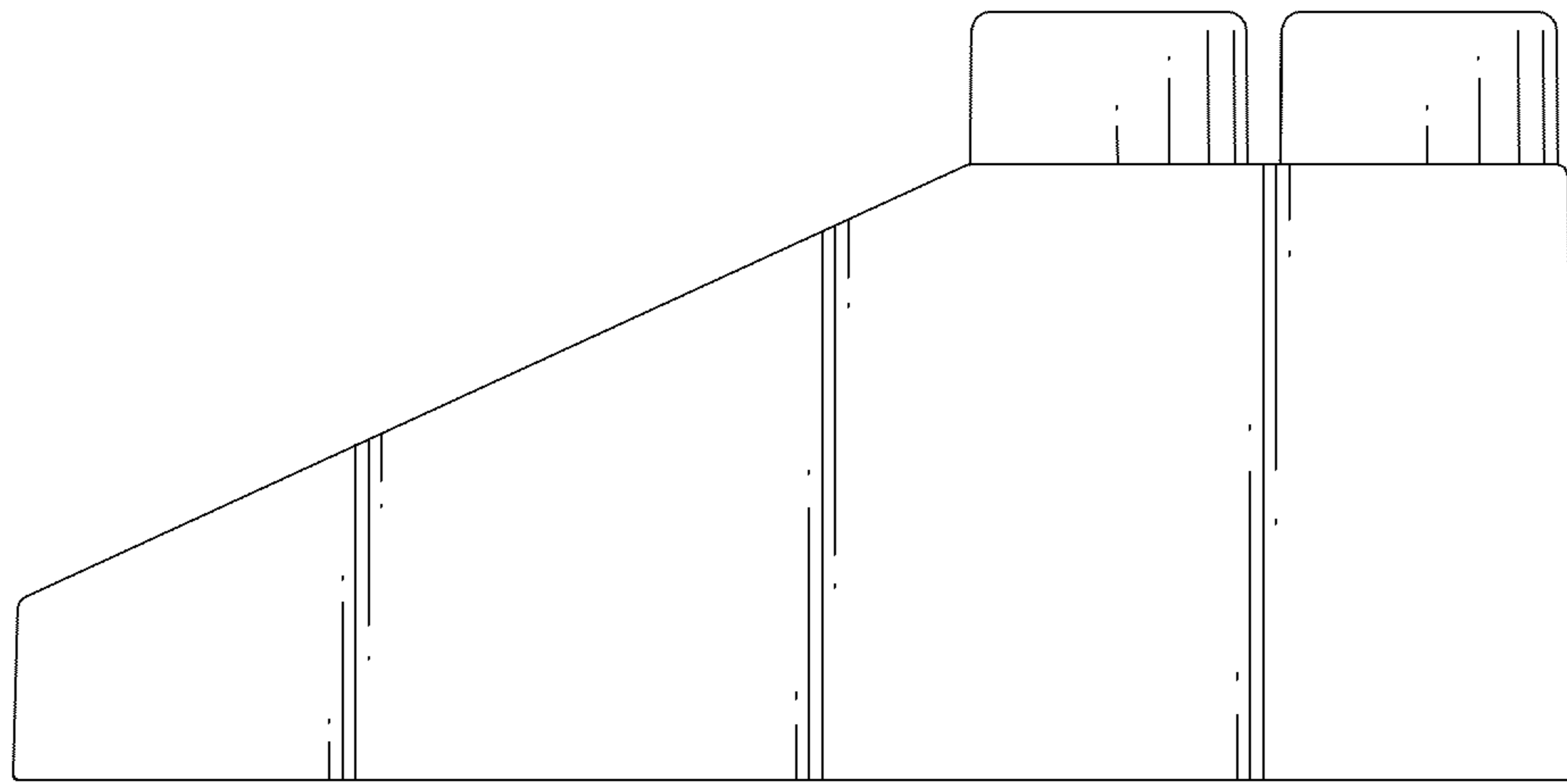


FIG.5

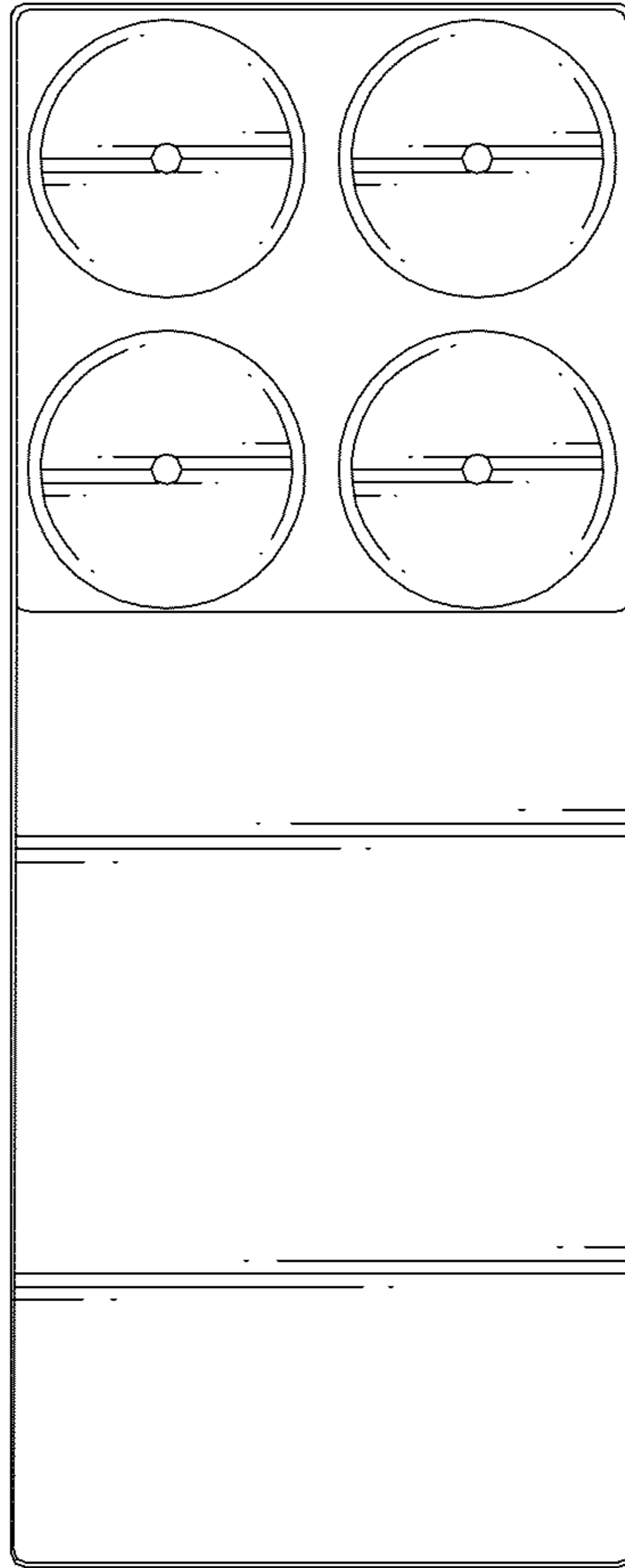


FIG.6

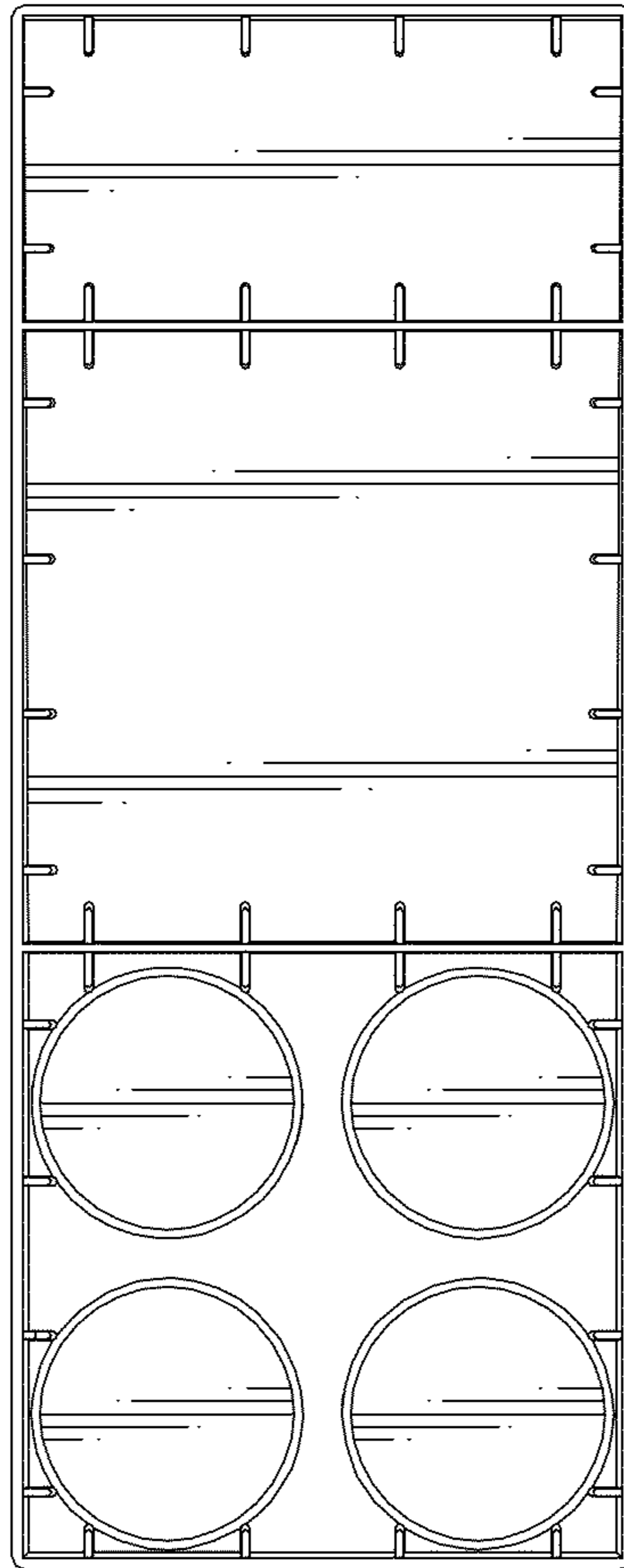


FIG.7

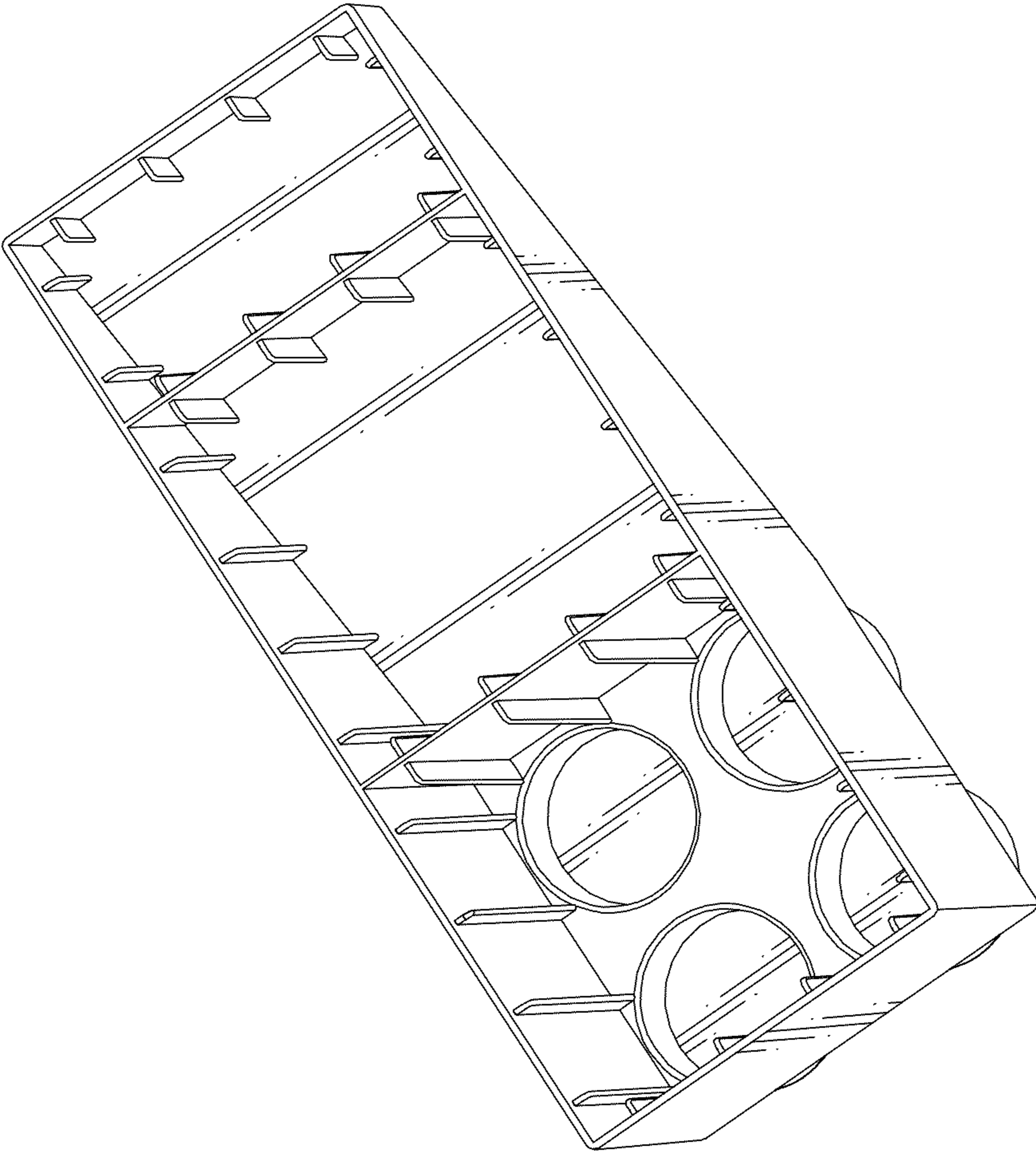


FIG.8