



US00D680175S

(12) **United States Design Patent**
Nielsen

(10) **Patent No.:** **US D680,175 S**
(45) **Date of Patent:** **** Apr. 16, 2013**

(54) **TRICYCLE**

(75) Inventor: **John Nielsen**, Glen Waverly (AU)

(73) Assignee: **Funtastic Limited** (AU)

(**) Term: **14 Years**

(21) Appl. No.: **29/415,560**

(22) Filed: **Mar. 12, 2012**

(30) **Foreign Application Priority Data**

Sep. 12, 2011 (AU) 14024/2011

(51) **LOC (9) Cl.** **21-01**

(52) **U.S. Cl.**

USPC **D21/435**

(58) **Field of Classification Search** D21/412,
D21/414, 419, 423-428, 431-435; D12/1,
D12/107, 110-114, 129, 130, 133; 280/87.01,
280/87.021, 87.05, 87.051, 47.17, 47.25,
280/47.34, 47.38, 47.4, 827, 828, 29, 200,
280/259, 263, 270, 282, 288.4, 291, 293;
297/5; 482/68

See application file for complete search history.

(56) **References Cited**

U.S. PATENT DOCUMENTS

D48,957 S * 4/1916 White D21/435
1,333,292 A * 3/1920 Case 280/259
D109,988 S * 6/1938 Klatt D21/426
D138,525 S * 8/1944 Silkman D21/424
D150,732 S * 8/1948 Schilling D21/435
D172,933 S * 8/1954 Moran D21/435

D191,176 S * 8/1961 Pressner D21/424
D206,127 S * 11/1966 Cordrey D21/435
D221,568 S * 8/1971 Krause D21/435
D229,079 S * 11/1973 Boyle D21/435
D257,374 S * 10/1980 Nottingham et al. D21/435
D346,412 S * 4/1994 Chou D21/424
D566,199 S * 4/2008 Wiebenga et al. D21/419
D579,502 S * 10/2008 Hourdeaux D21/426
D597,147 S * 7/2009 Verlinden D21/424

FOREIGN PATENT DOCUMENTS

AU 2003250588 11/2004

* cited by examiner

Primary Examiner — Cynthia M Chin

(74) *Attorney, Agent, or Firm* — SAIDMAN DesignLaw Group

(57) **CLAIM**

The ornamental design for a tricycle, as shown and described.

DESCRIPTION

FIG. 1 is a front perspective view of a tricycle showing my new design;

FIG. 2 is a rear perspective view thereof;

FIG. 3 is a top view thereof;

FIG. 4 is a rear view thereof;

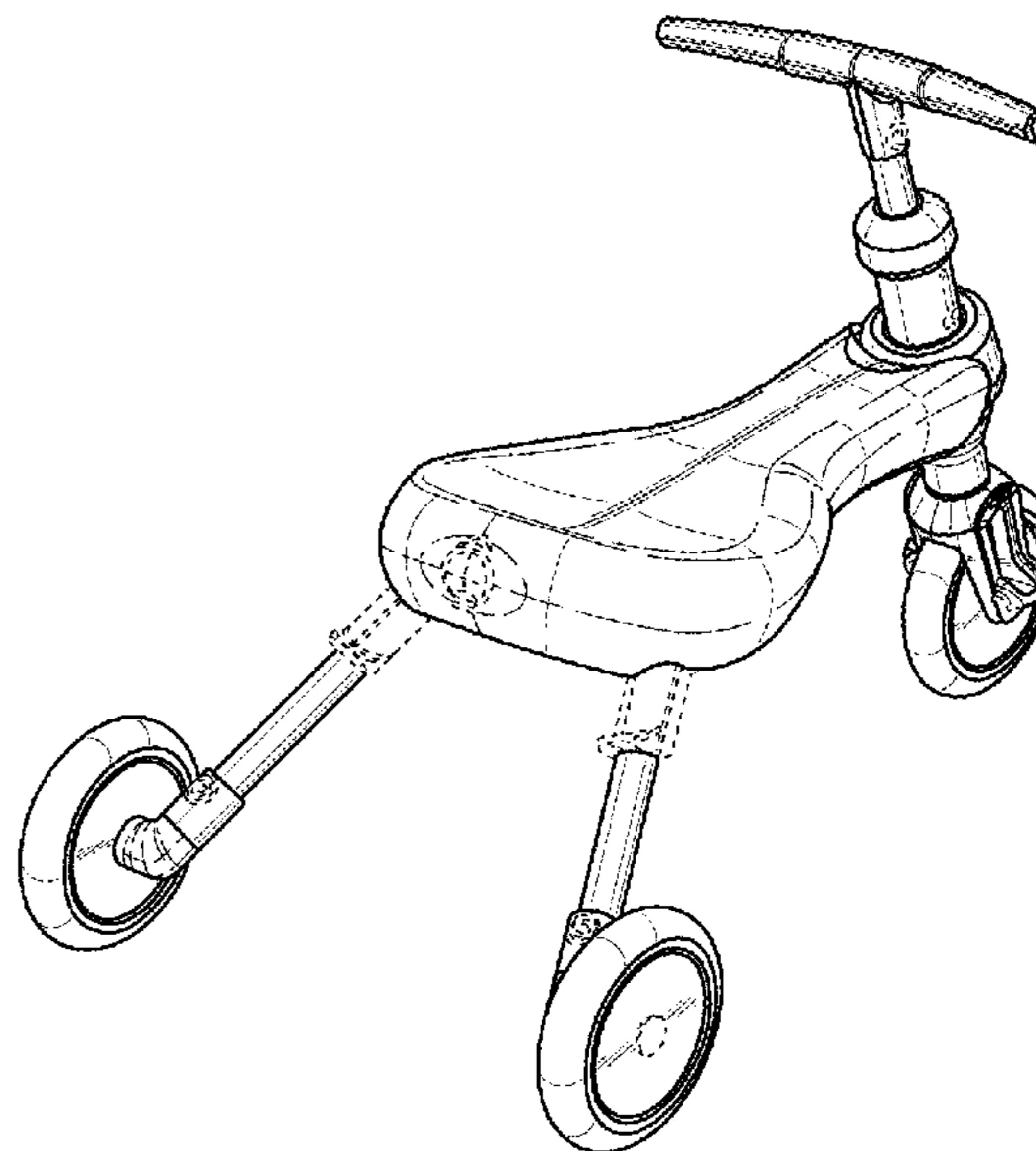
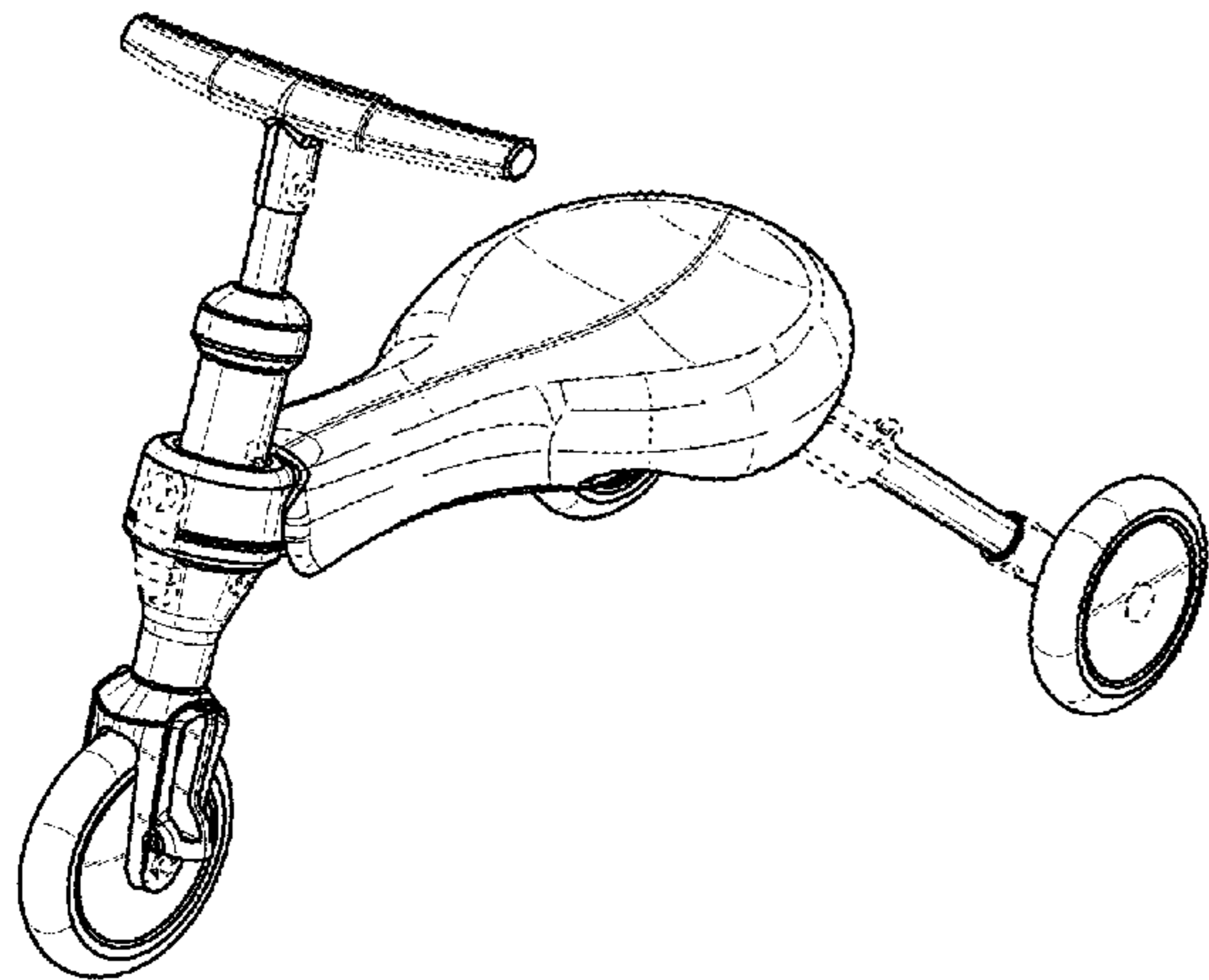
FIG. 5 is a front view thereof;

FIG. 6 is a right side view thereof; and,

FIG. 7 is a left side view thereof.

The broken lines illustrate portions of the tricycle and form no part of the claimed design.

1 Claim, 4 Drawing Sheets



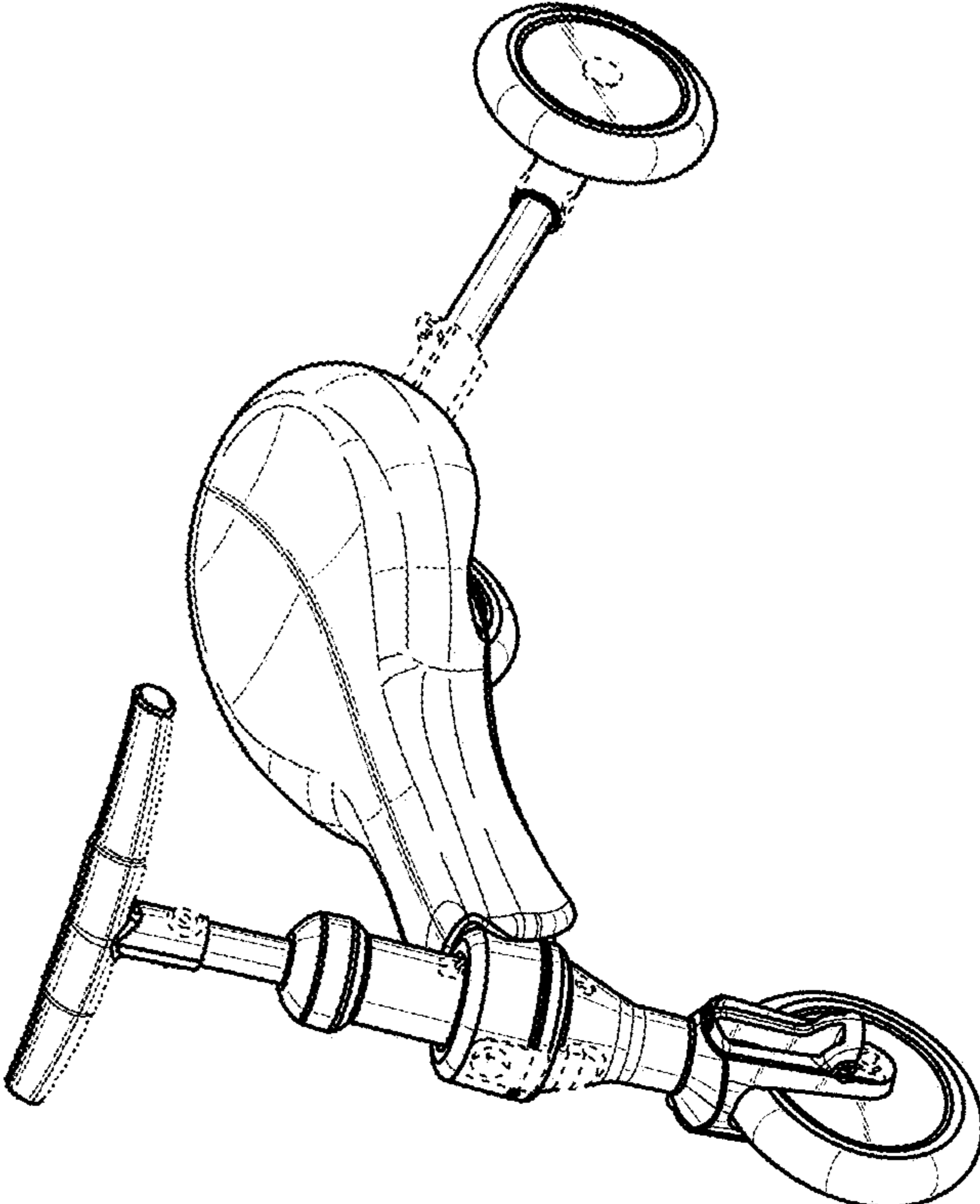


Fig. 1

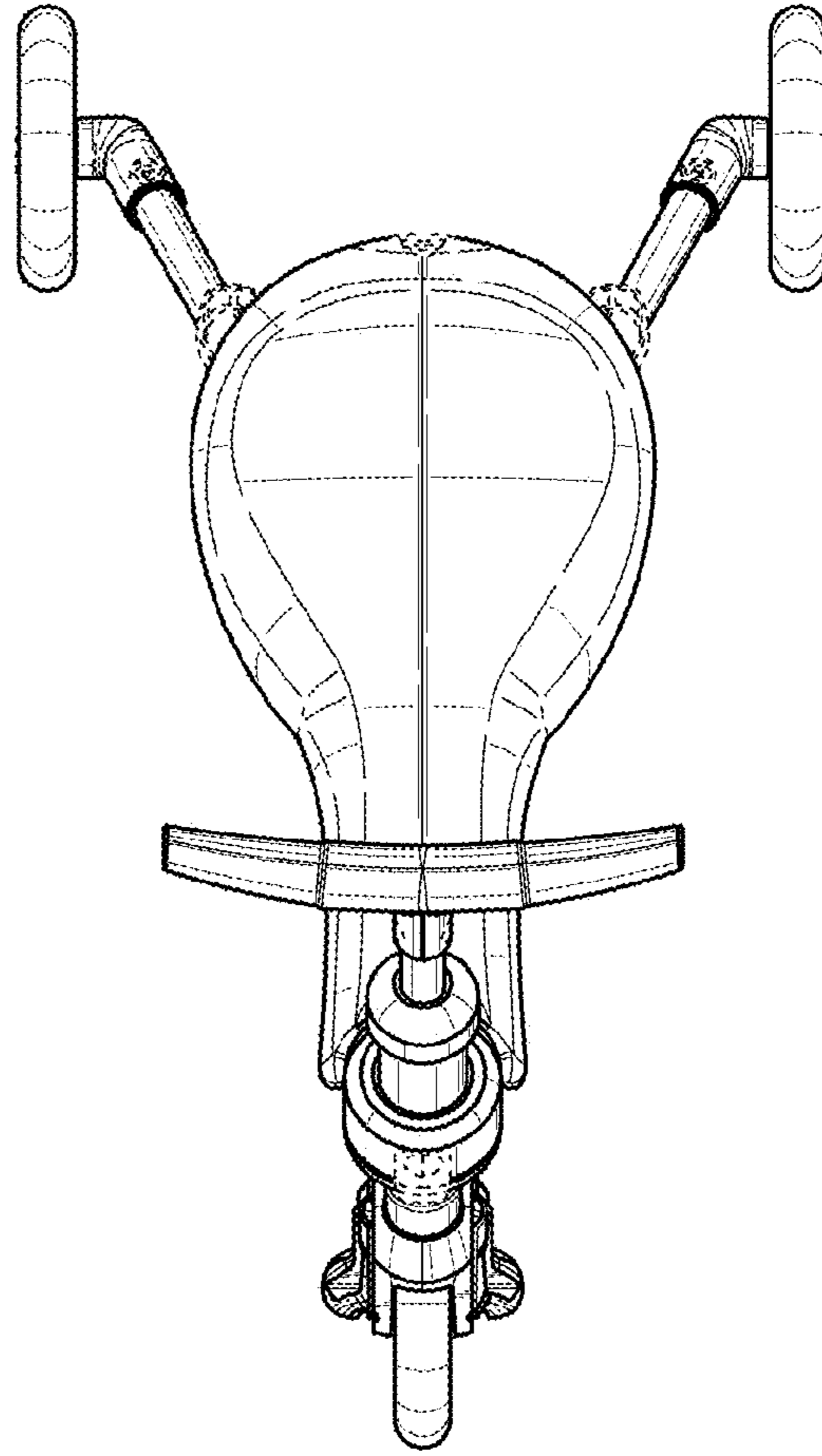


Fig. 3

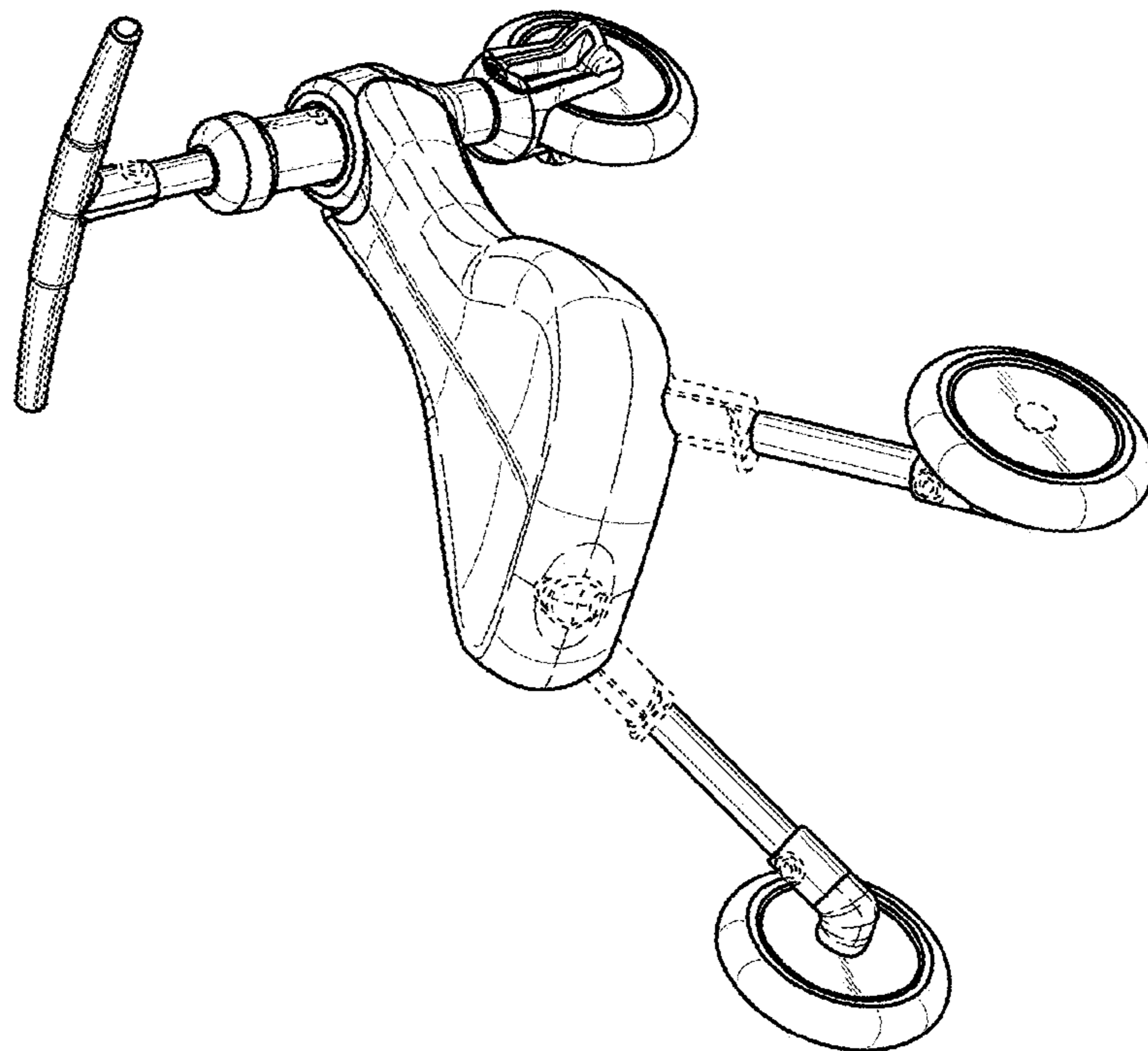


Fig. 2

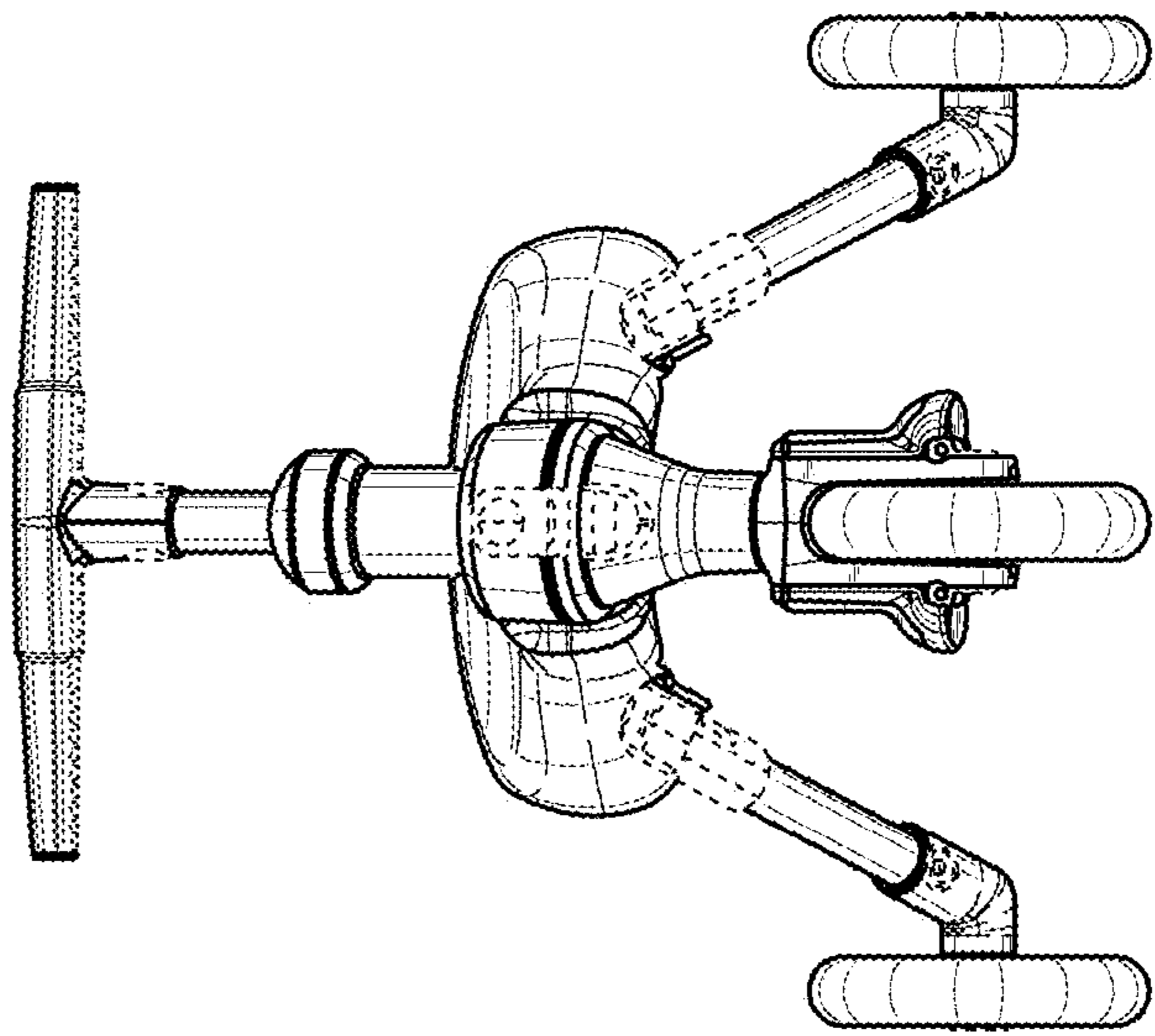


Fig. 5

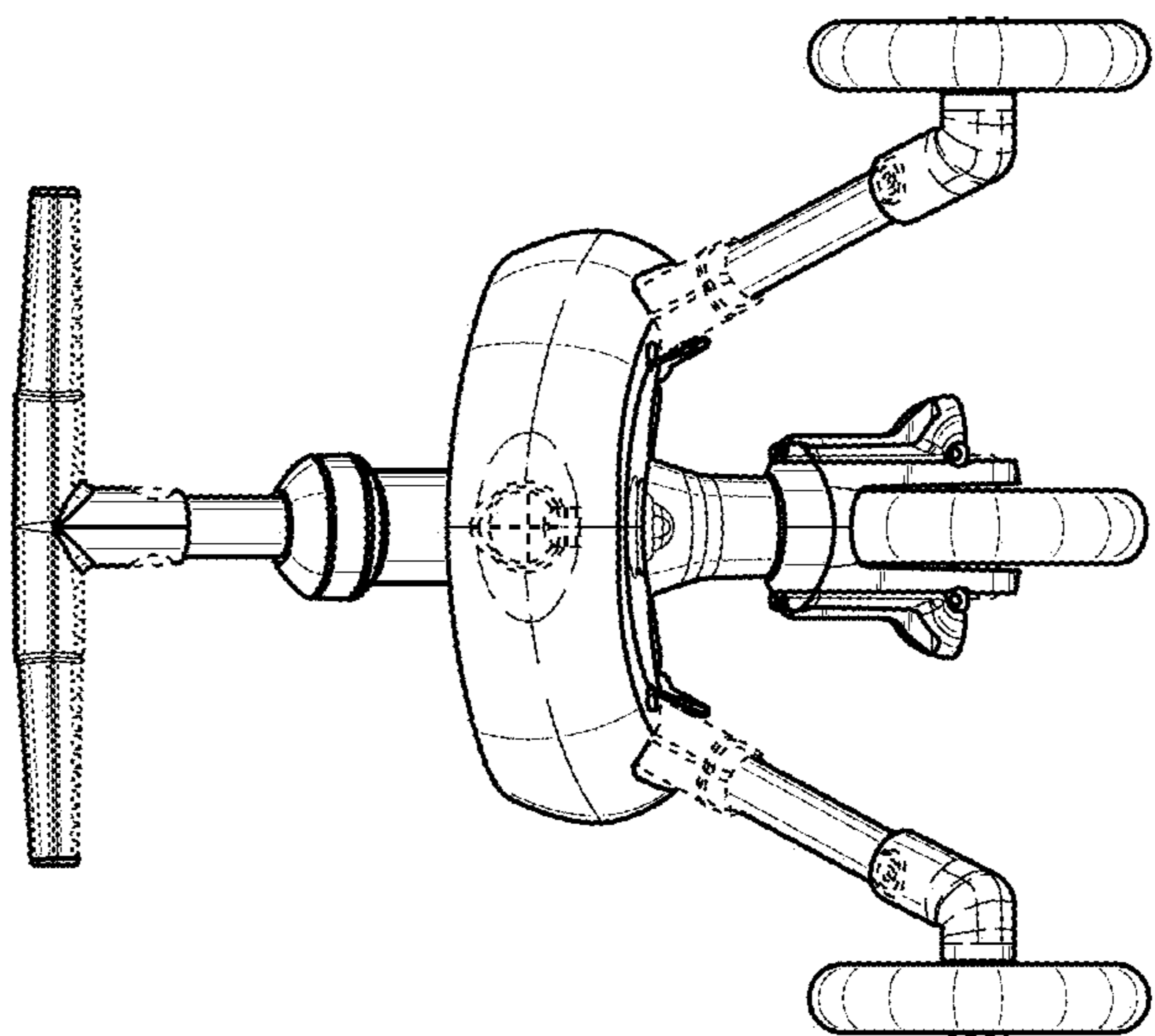


Fig. 4

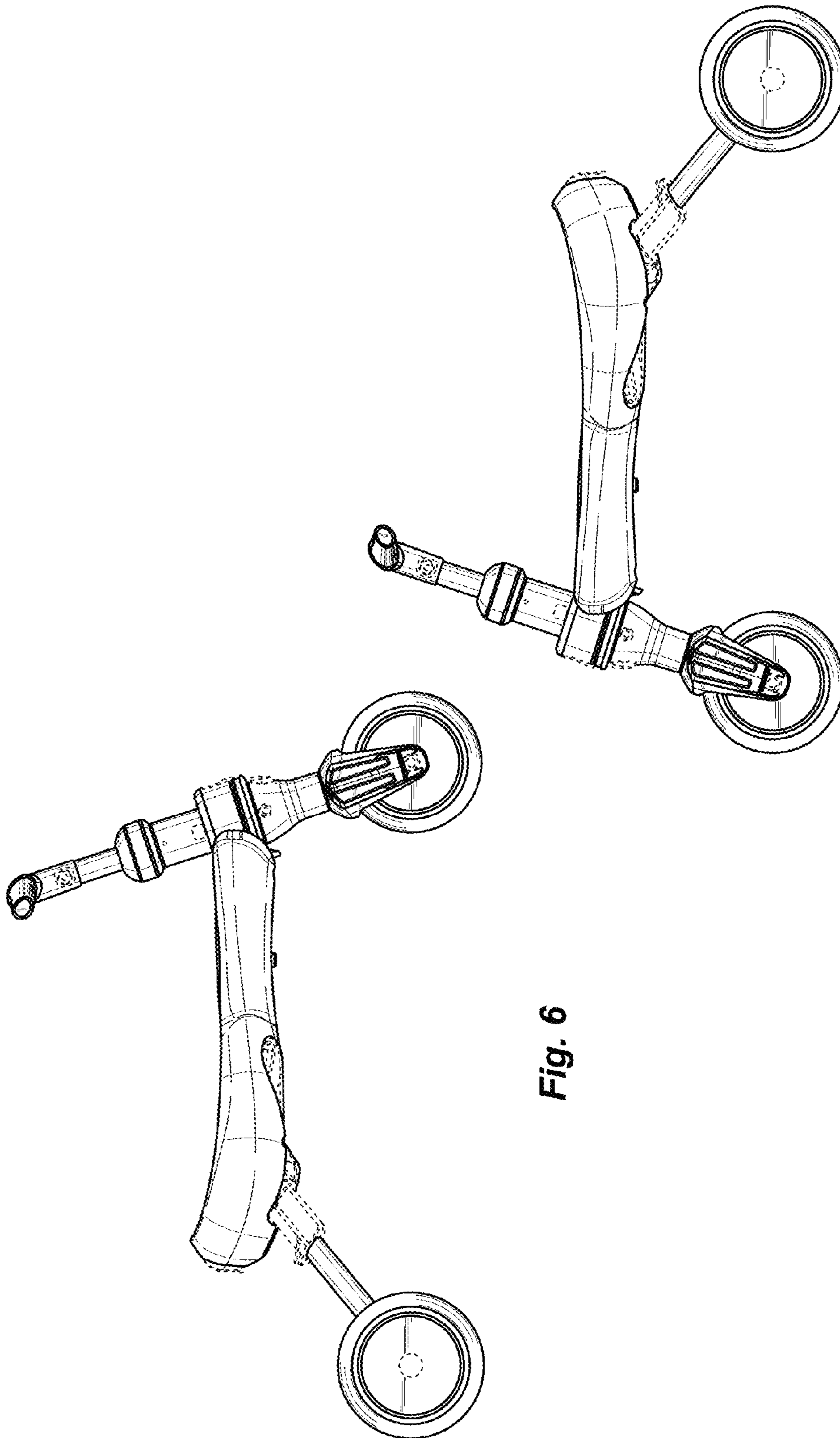


Fig. 6

Fig. 7