



US00D680170S

(12) **United States Design Patent**  
**Benadon et al.**

(10) **Patent No.:** **US D680,170 S**  
(45) **Date of Patent:** **\*\* Apr. 16, 2013**

(54) **BOOK**

(76) Inventors: **Rodrigo Benadon**, Buenos Aires (AR);  
**Martin de Santos**, Buenos Aires (AR)

(\*\*) Term: **14 Years**

(21) Appl. No.: **29/431,335**

(22) Filed: **Sep. 6, 2012**

(51) **LOC (9) Cl.** ..... **19-04**

(52) **U.S. Cl.**  
USPC ..... **D19/26**

(58) **Field of Classification Search** ..... D19/1,  
D19/26-28, 6; 281/15.1, 19.1, 21.1, 22,  
281/29, 38, 51; 345/87, 901; 434/308, 317;  
283/67.1

See application file for complete search history.

(56) **References Cited**

U.S. PATENT DOCUMENTS

4,355,984	A *	10/1982	Slavik et al.	434/335
4,809,246	A *	2/1989	Jeng	434/317
5,437,552	A *	8/1995	Baer et al.	434/317
5,520,544	A *	5/1996	Manico et al.	434/317
5,531,600	A *	7/1996	Baer et al.	434/317
5,574,519	A *	11/1996	Manico et al.	396/429
5,631,883	A *	5/1997	Li	434/311
6,167,233	A *	12/2000	Gresser et al.	434/308
D437,612	S *	2/2001	Verdicchio	D19/26
6,525,706	B1 *	2/2003	Rehkemper et al.	345/87
D487,481	S *	3/2004	Harris et al.	D19/26
6,792,243	B2 *	9/2004	Ka-wah et al.	434/317
6,865,367	B2 *	3/2005	Kim et al.	434/317

7,540,379	B2 *	6/2009	Yau	206/320
2002/0081560	A1 *	6/2002	Ka-wah et al.	434/317
2008/0076103	A1 *	3/2008	Wallace	434/317
2008/0145828	A1 *	6/2008	Yu	434/308

\* cited by examiner

*Primary Examiner* — T. Chase Nelson

*Assistant Examiner* — Kathleen M Sims

(74) *Attorney, Agent, or Firm* — Westerman, Hattori,  
Daniels & Adrian, LLP

(57) **CLAIM**

The ornamental design for a book, as shown and described.

**DESCRIPTION**

FIG. 1 is a perspective view of a first embodiment of the book showing our new design;

FIG. 2 is a front elevational view thereof;

FIG. 3 is a rear elevational view thereof;

FIG. 4 is a left side elevational view thereof;

FIG. 5 is a right side elevational view thereof;

FIG. 6 is a top plan view thereof;

FIG. 7 is a bottom plan view thereof;

FIG. 8 is a perspective view of a second embodiment thereof;

FIG. 9 is a front elevational view thereof;

FIG. 10 is a rear elevational view thereof;

FIG. 11 is a left side elevational view thereof;

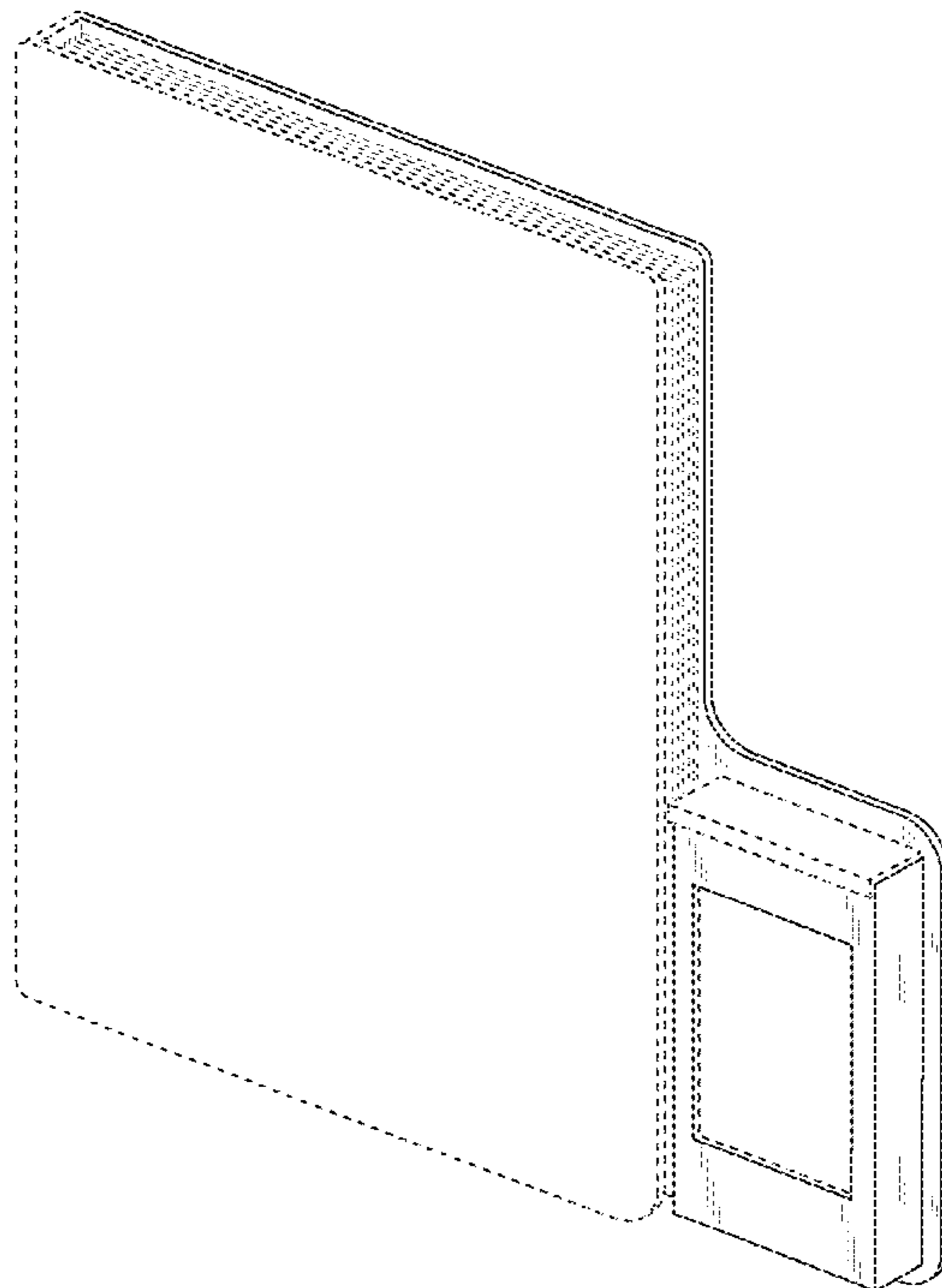
FIG. 12 is a right side elevational view thereof;

FIG. 13 is a top plan view thereof; and,

FIG. 14 is a bottom plan view thereof.

The broken lines illustrate environmental structure only and form no part of the claimed design.

**1 Claim, 10 Drawing Sheets**



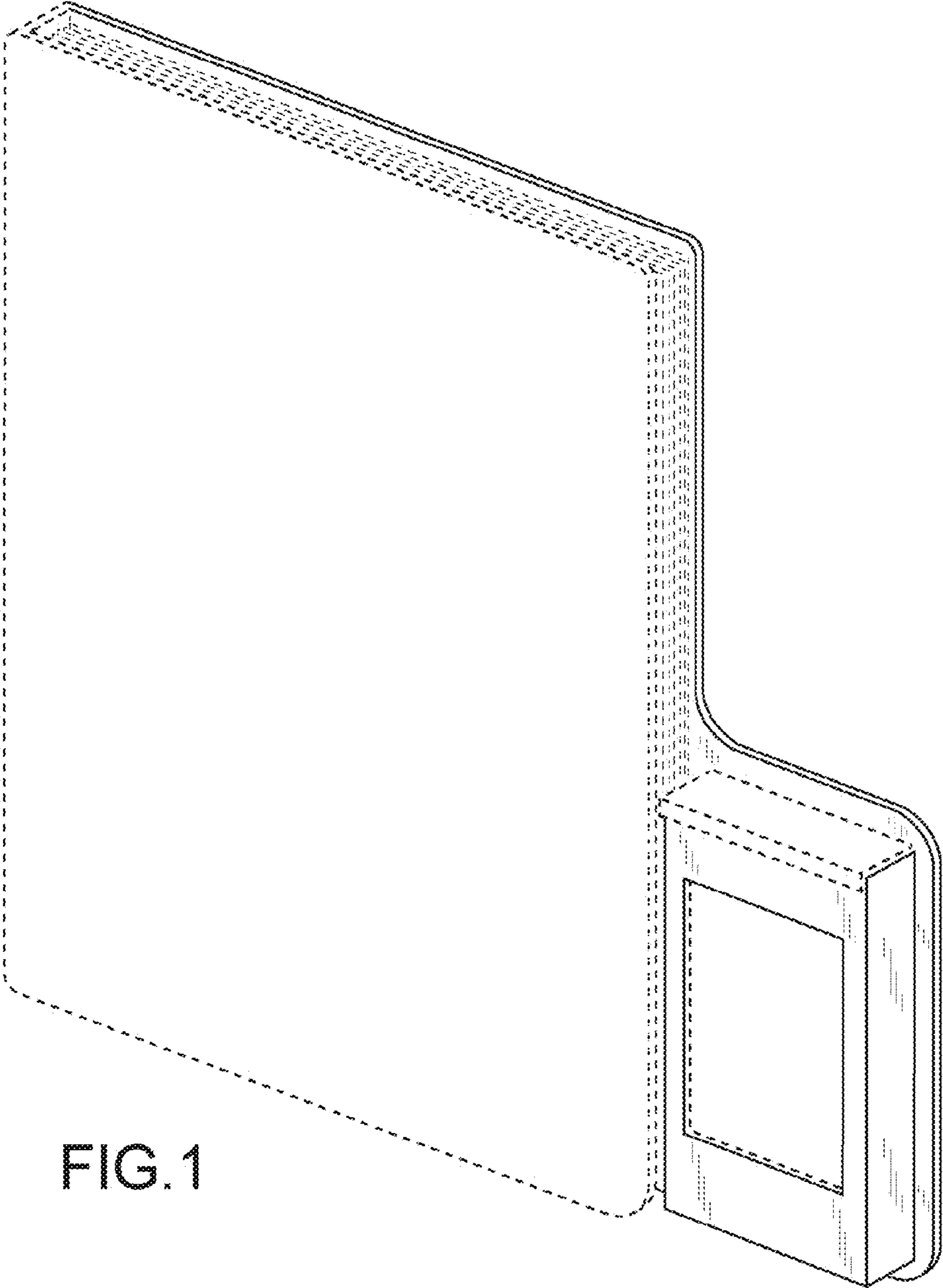


FIG. 1

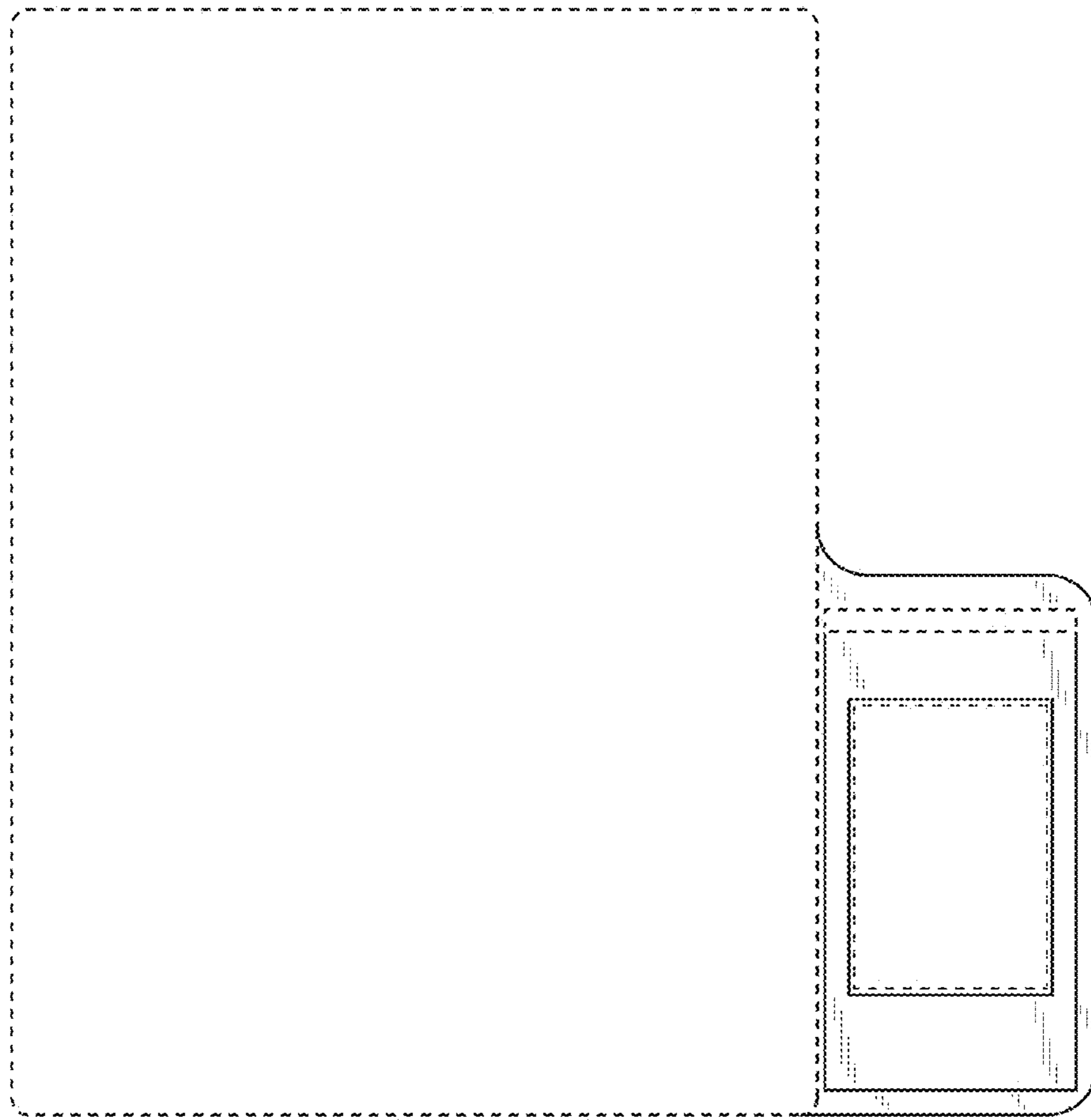


FIG. 2

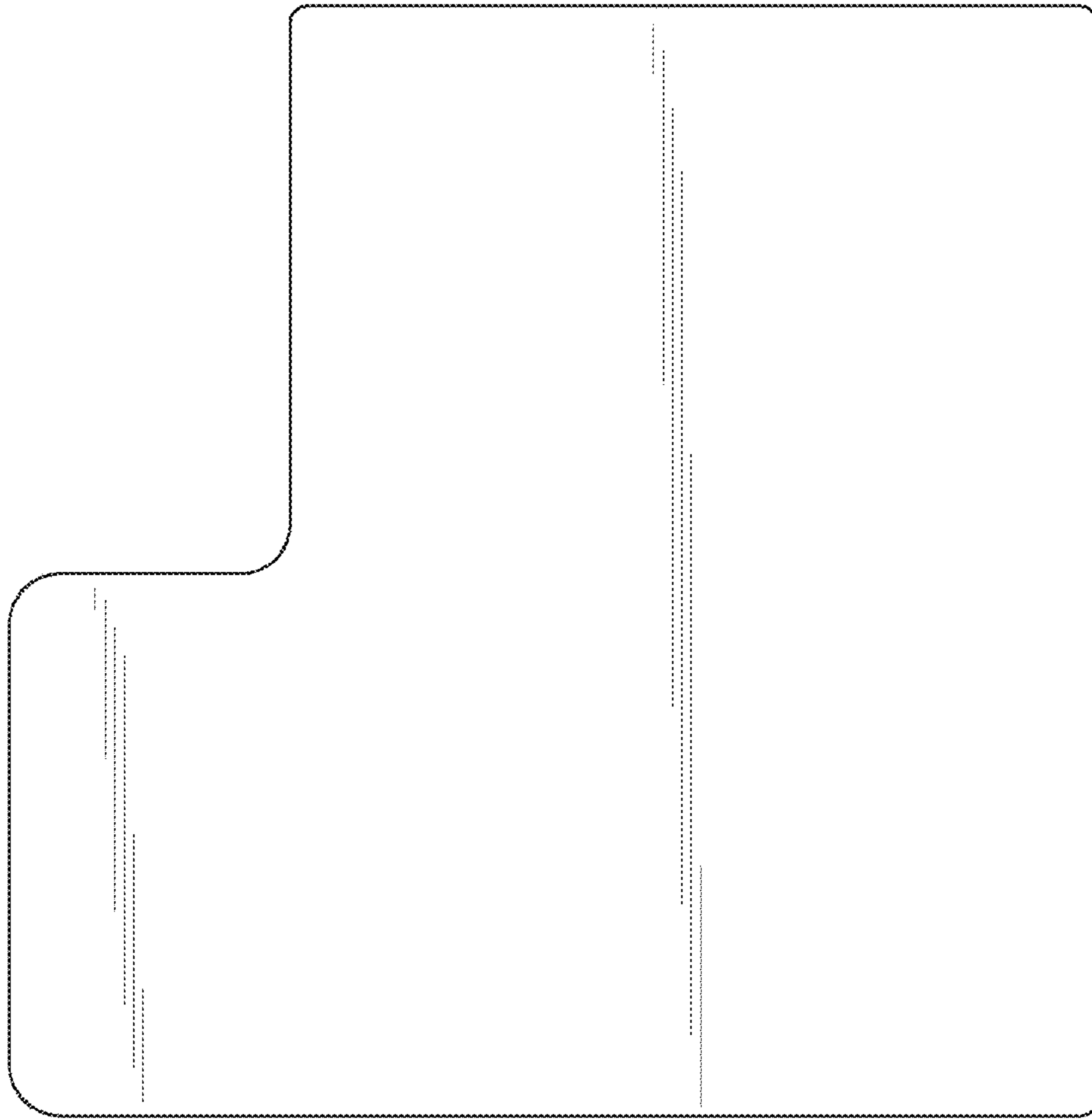


FIG.3

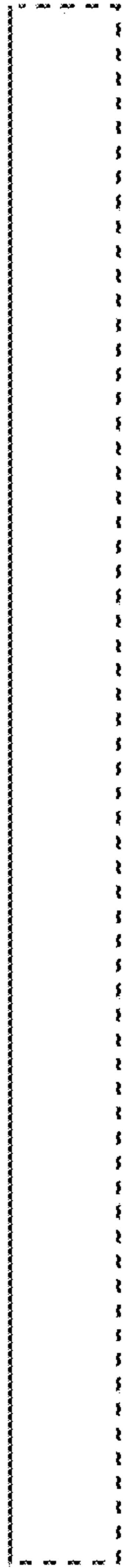


FIG. 4

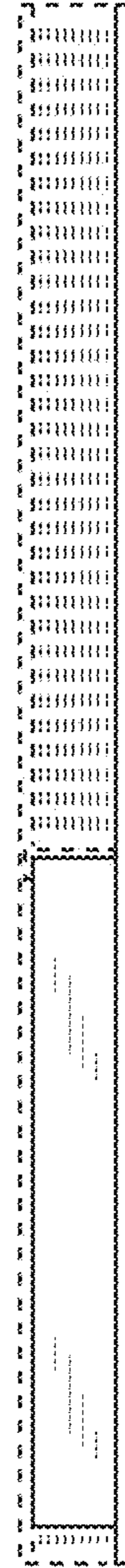


FIG. 5



FIG. 6



FIG. 7

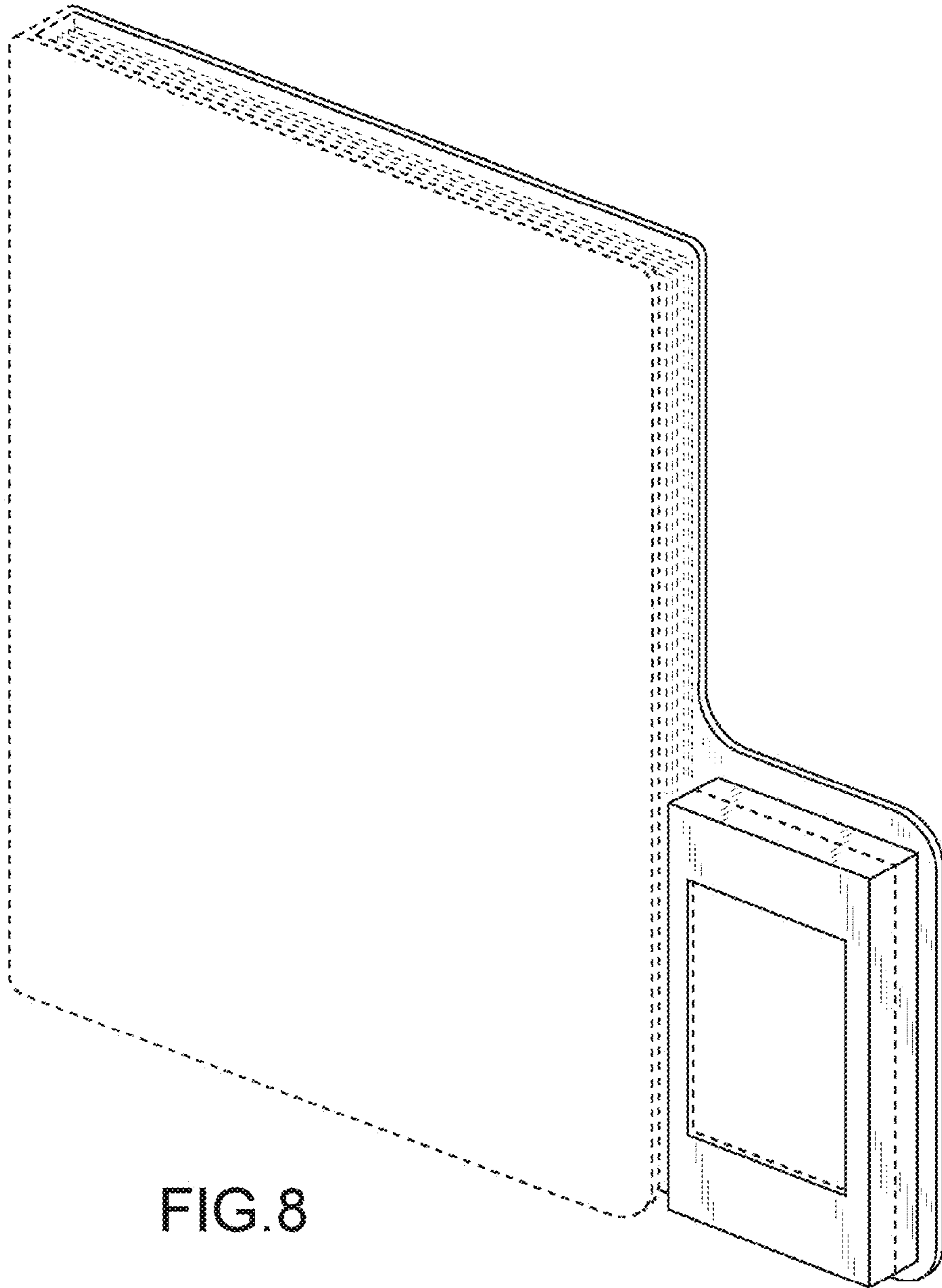


FIG.8



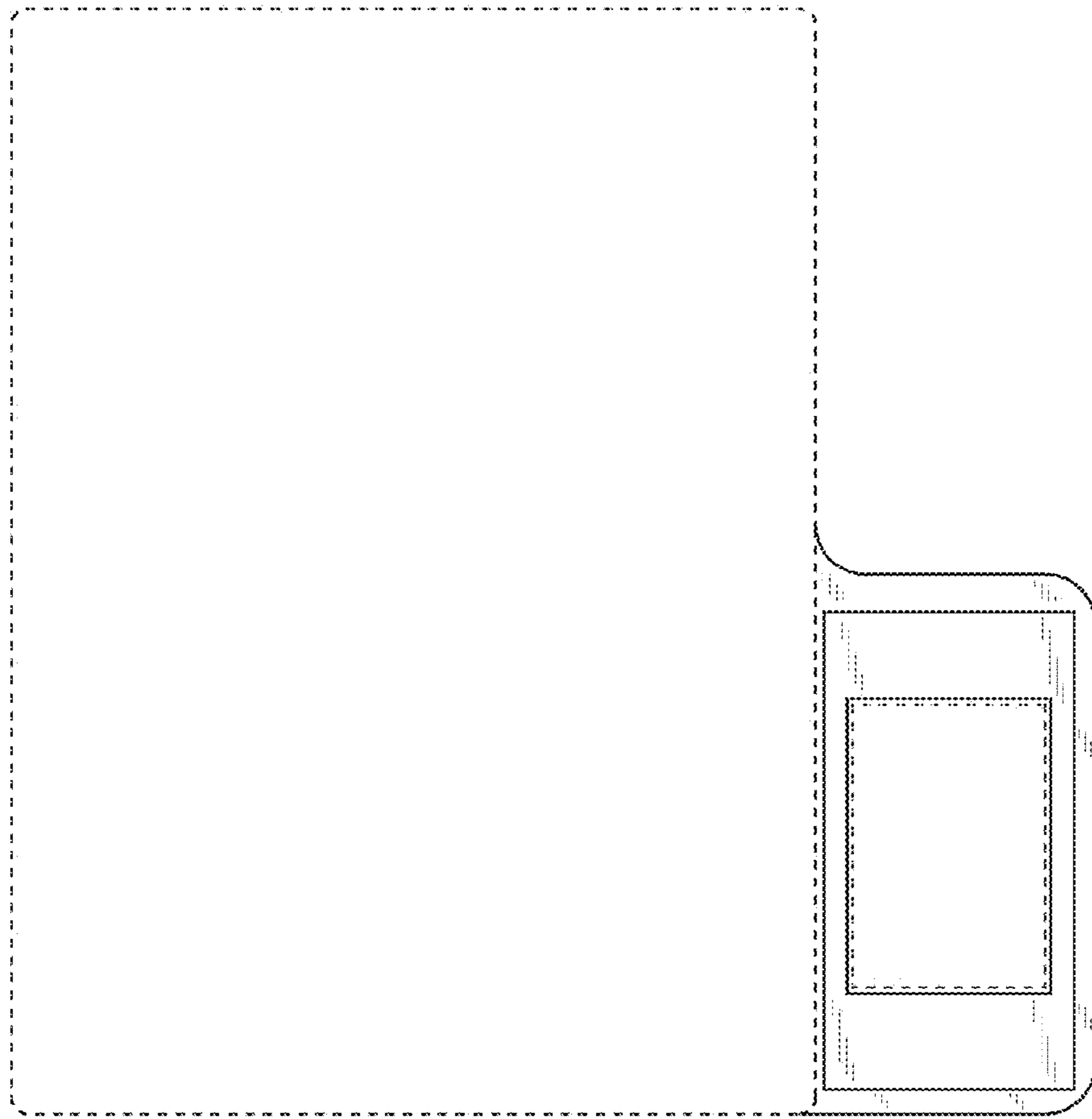


FIG. 9



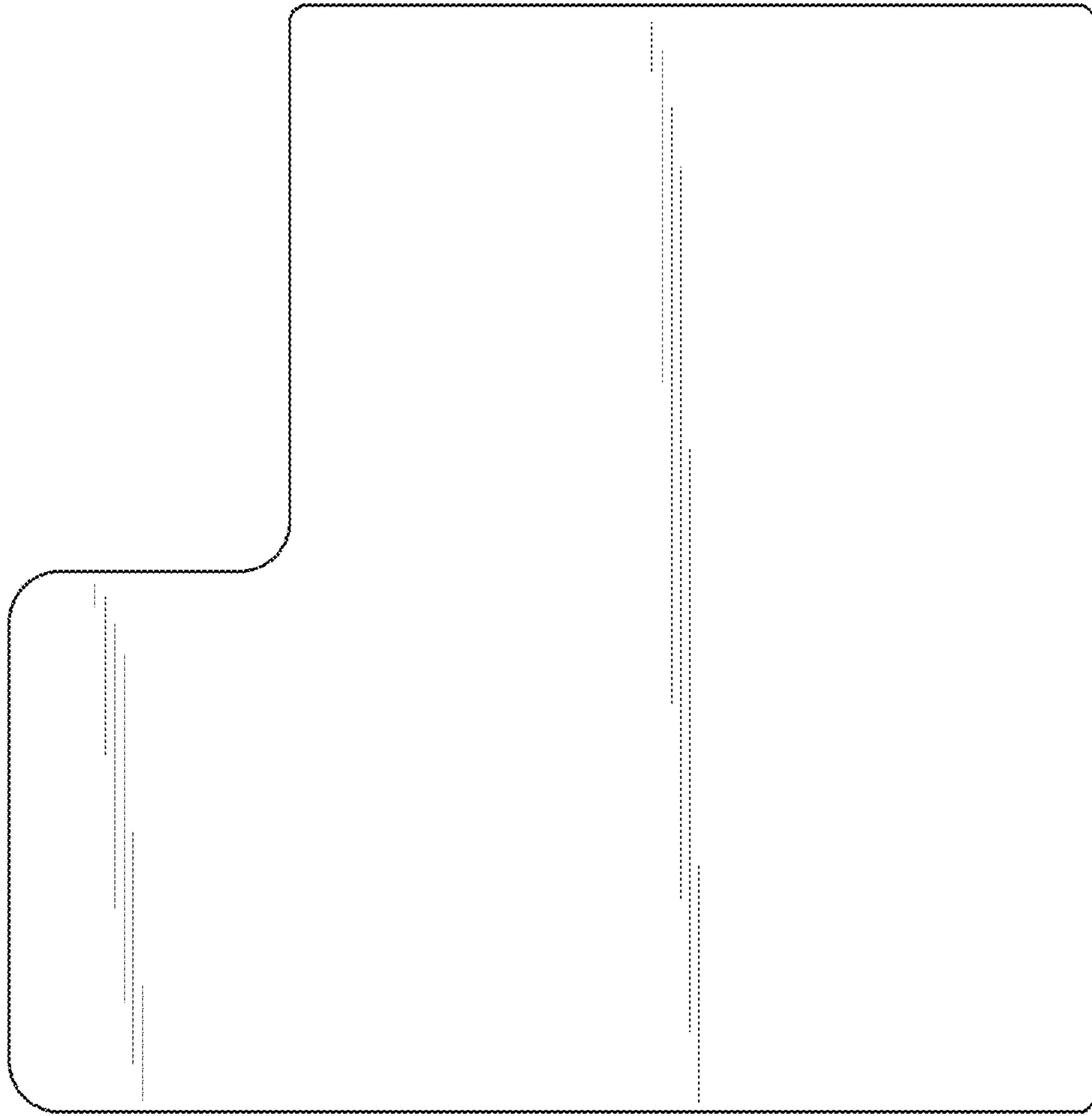


FIG. 10

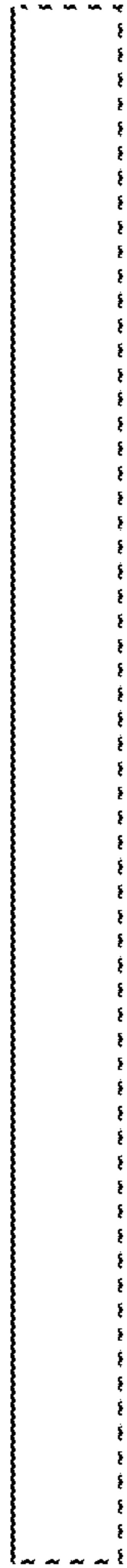


FIG. 11

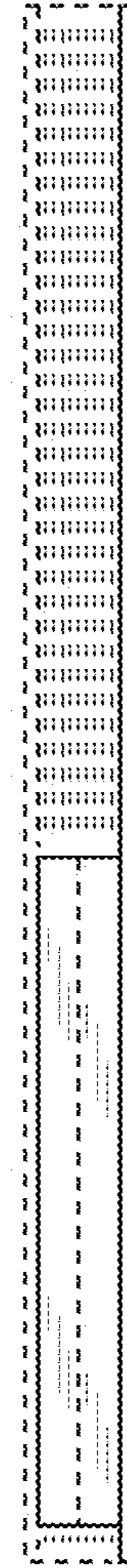


FIG. 12

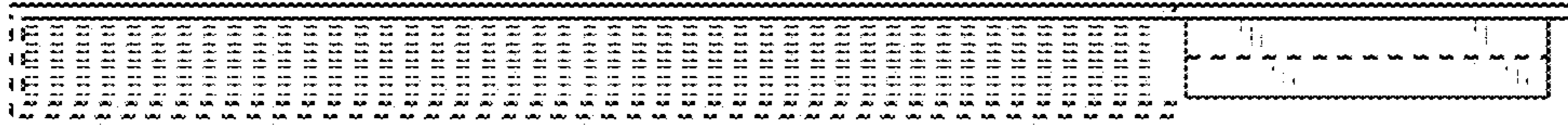


FIG. 13



FIG. 14